

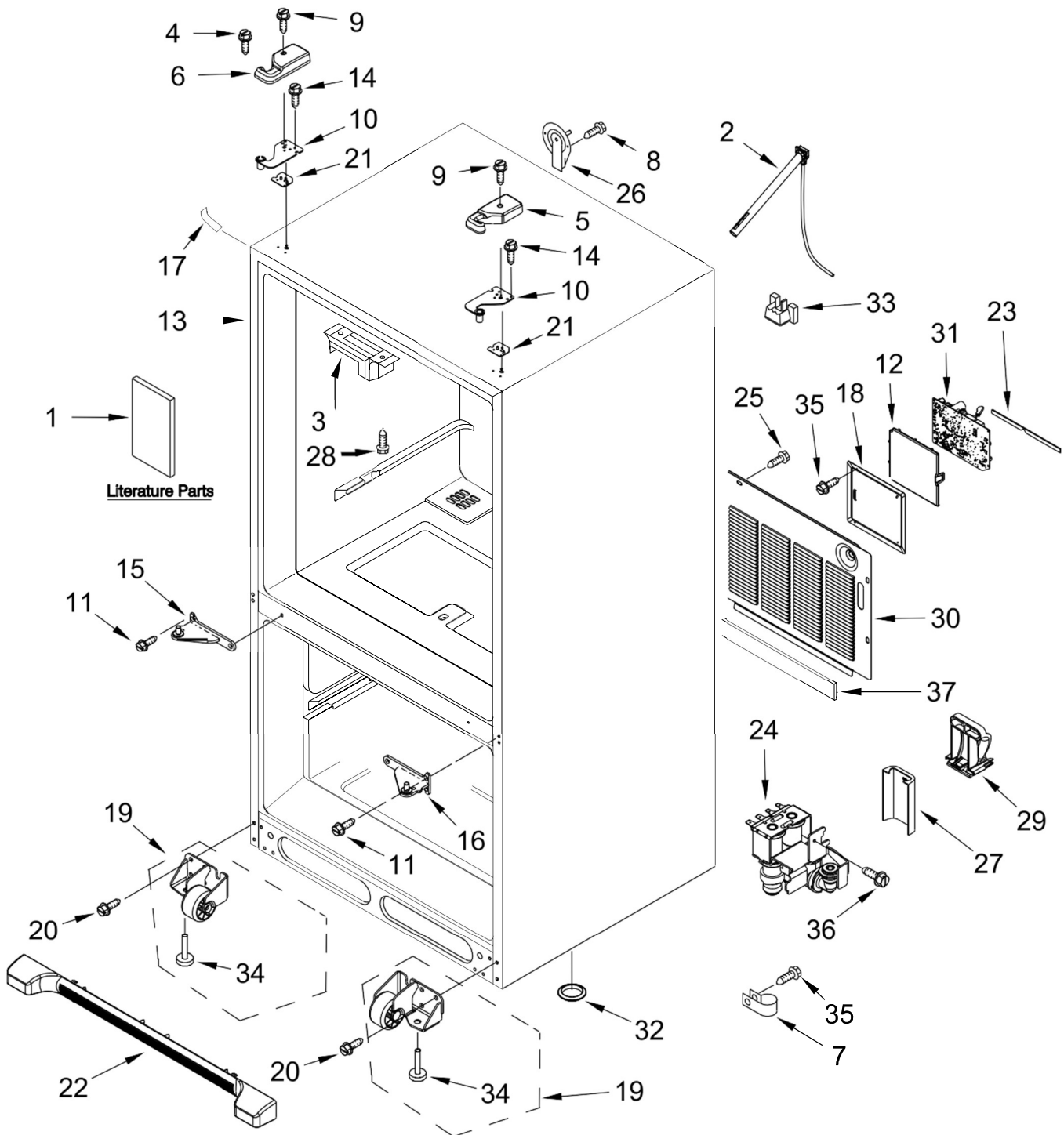
KitchenAid®

BOTTOM MOUNT FRENCH DOOR REFRIGERATOR

MODELS:

KRFF302ESS02 (Stainless Steel)

REFRIGERADOR KRFF302ESS02



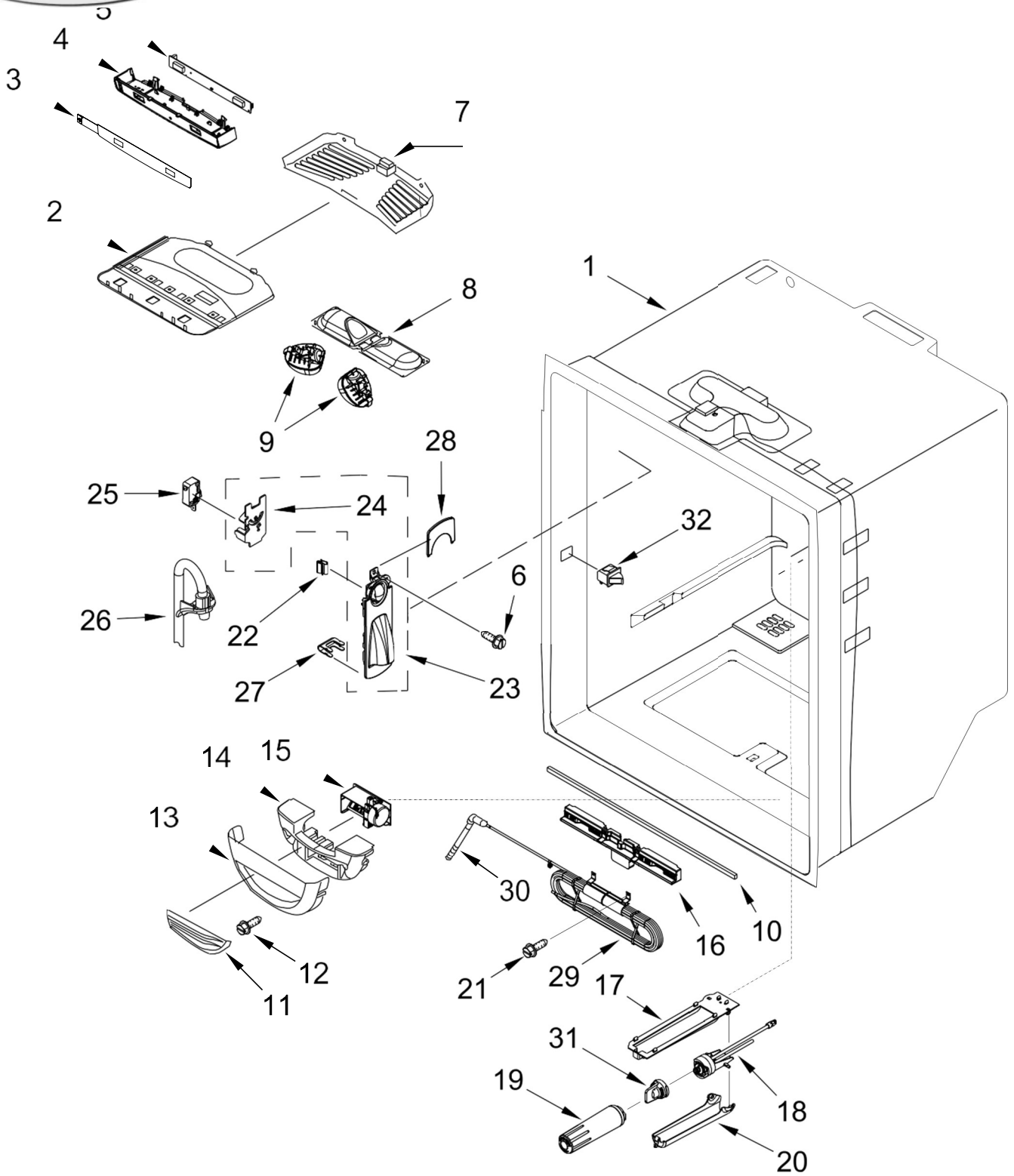
REFRIGERADOR KRFF302ESS02

<u>Illus. No.</u>	<u>Part No.</u>	<u>Description</u>
1		Literature Parts
	W10787422	Tech Sheet
	W11298859	Use and Care Guide
	W11308943	Energy Guide
2	W11046934	Assembly, Fill Tube (Includes Tubing, Fill Tube Elbow, Tube Insert and Clamp)
3	12698403	Plate, Pivot
4	12992601	Screw
5		Cover, Right Hinge
	12962302AP	Grey
6		Cover, Left Hinge (Includes Foil)
	W10337648	Grey
7	M0108107	Clamp, Tube
8	12990504	Screw
9	12992602	Screw
10		Hinge, Top
	12963204ED	Left Hand
	12963205ED	Right Hand
11	W10673840	Screw (Stainless)

<u>Illus. No.</u>	<u>Part No.</u>	<u>Description</u>
12	W10296541	Lid, HV Control Box
13		Cabinet (Not A Serviceable Part)
14	12992403	Screw
15		Hinge, Center (Left)
	W10740150	Grey
16		Hinge, Center (Right)
	W10740146	Grey
17		Cover, Corner
	12587703AP	Grey
18	12961602	Cover, Control Box
19	Assembly, RollerW10515763	Left Hand
	W10515762	Right Hand
20	W10709365	Screw
21		Shim, Hinge
	12999501	Left Hand
	12999502	Right Hand
22		Grille, Toe
	W10534160	Grey
23	12957801	Gasket, Control Box

<u>Illus. No.</u>	<u>Part No.</u>	<u>Description</u>
24	W10420083	Valve, Water Inlet
25	W10141645	Screw
26	12726003	Cover, Water Line
27	W10208593	Guard, Dual Water Valve
28	688983	Screw
29	W10528513	Sweep, Dual Tube
30	W10210980	Cover, Unit
31	W10317076	Board, HV Control
32	A3076901	Plug, Button
33	W10658542	Block, Fill Tube
34	W10141622	Brake, Roller
35	12990702	Screw
36	12991604	Screw
37	B5759655	Gasket

REFRIGERADOR KRFF302ESS02



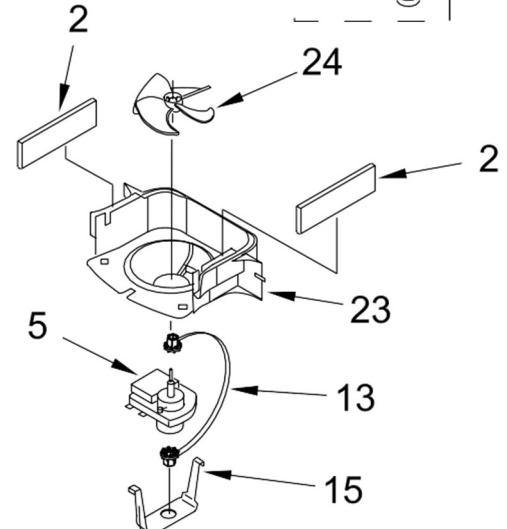
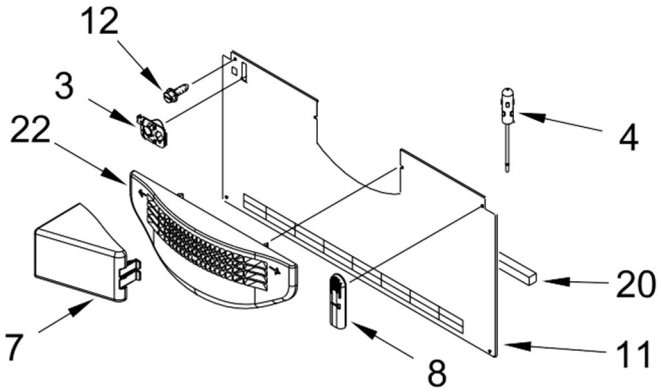
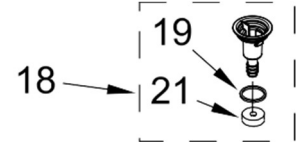
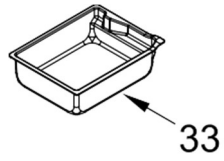
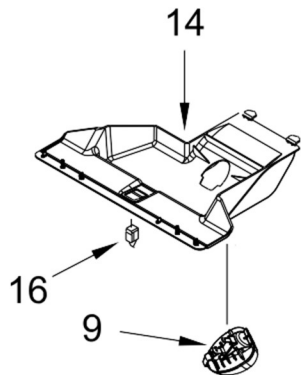
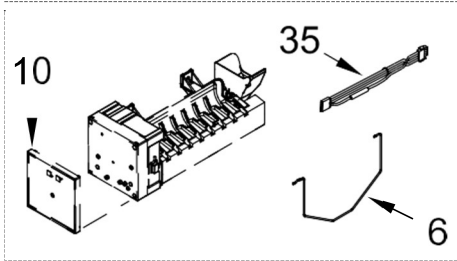
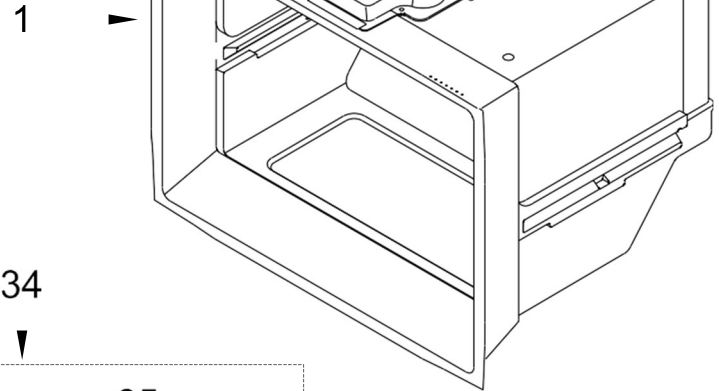
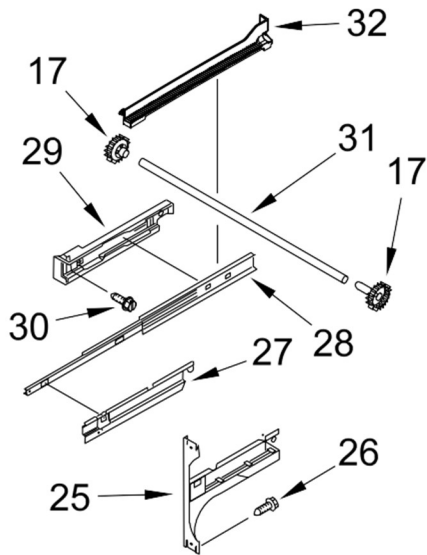
REFRIGERADOR KRFF302ESS02

<u>Illus. No.</u>	<u>Part No.</u>	<u>Description</u>
1		Liner (Not A Serviceable Part)
2	W10464766	Module, Light
3	W10746278	Overlay
4	W10464767	Module, Control
5	W10746274	Board, Control
6	12990513	Screw
7	W11132917	Cover, Light
8	W10443023	Housing, Light
9	W11251749	Light Module, LED
10	W10568045	Gasket, Seal
11	12806801	Insert, Damper Cover
12	12990604	Screw
13	12806701	Cover, Damper
14	13012402	Insulation, Damper
15	W10594329	Control, Damper

<u>Illus. No.</u>	<u>Part No.</u>	<u>Description</u>
16	W10300461	Insulation, Water Tank
17	12704801	Plate, Filter
18	W11308018	Head, Water Filter (Includes Bypass Cartridge)
19	W11256384	Filter, Water
20	12568001	Cover, Filter
21	12990512	Screw
22	B8390302	Clip, Facade
23	W10585703	Facade, Dispenser
24	W10585699	Plate, Dispenser
25	12575501	Switch, Limit
26	W11031909	Guide, Waterline
27	12251001	Clip, Water Tube
28	12707005	Facade, Dispenser (Top)
29	W11097710	Tank, Water

<u>Illus. No.</u>	<u>Part No.</u>	<u>Description</u>
30	61006182	Union, Water
31	12664501SP	Cartridge, Bypass
32	W10847852	Switch, Rocker
		Following Parts Not Illustrated
	W10273869	Harness, Refrigerator Control (Includes Thermistor)

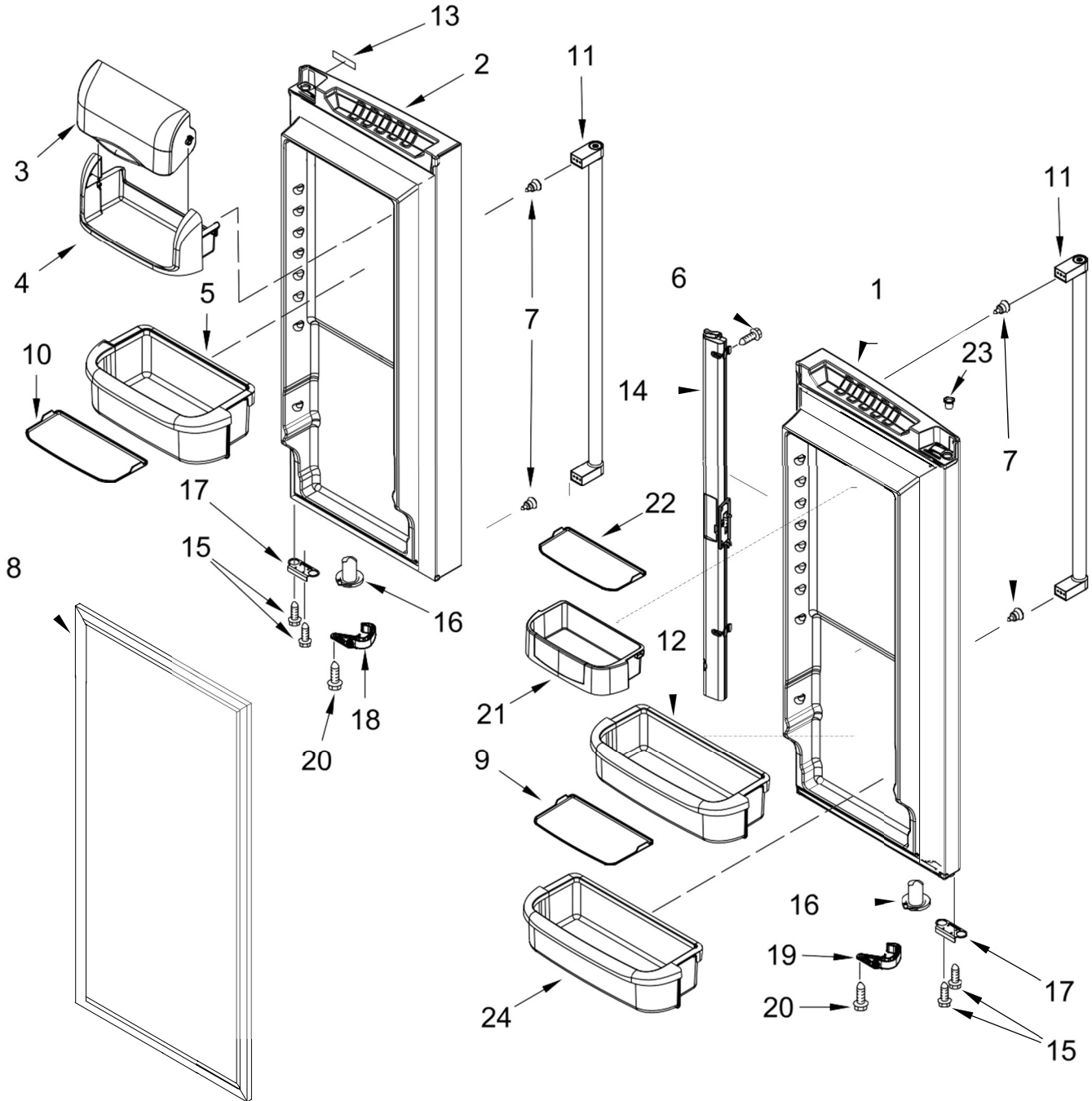
REFRIGERADOR KRFF302ESS02



REFRIGERADOR KRFF302ESS02

<u>Illus. No.</u>	<u>Part No.</u>	<u>Description</u>	<u>Illus. No.</u>	<u>Part No.</u>	<u>Description</u>	<u>Illus. No.</u>	<u>Part No.</u>	<u>Description</u>
1		Liner (Not A Serviceable Part)	15	13058002	Clip, Evaporator Motor			
2	A3189392	Gasket, Foam	16	W10847849	Switch, Light			
3	W11261524	Guide, Fill Tube	17	12002497	Gear			
4	12791417SP	Thermistor	18	W10662407	Assembly, Drain Funnel			
5	13062901	Motor, Evaporator	19	M0500703	Seal			
6	W11260635	Arm, Shut Off	20	A3189395	Gasket, Foam			
7	W10157765	Diverter, Air	21	B8381501	Gasket, Drain			
8	12815301	Cover, Thermistor	22	13024803	Grille, Freezer Air			
9	W11251749	Light Module, LED	23	13057901	Shroud, Evaporator Fan			
10	W10289690	Cover, Icemaker	24	2169142	Blade, Fan			
11	W10308415	Cover, Evaporator	25		Bracket, Door			
12	12990511	Screw		W10330991	Left Hand			
13	W10150583	Grommet, Fan Motor		W10330993	Right Hand			
14	W10277025	Module, Light	26	12990521	Screw			
			27		, Basket			
				W10280608	Left Hand			
				W10280613	Right Hand			
28	W10120018	Slide, Door						
29		Adapter, Slide		W10284684	Left Hand			
				W10284685	Right Hand			
30	12990501	Screw						
31	W10802339	Shaft, Rack						
32		Rack, Side		W10516603	Left Hand			
				W10516602	Right Hand			
33	W10171529N	Pan, Ice						
34	W10793298	Assembly, Icemaker (Complete)						
35	W10793621	Harness, Icemaker Wire						

REFRIGERADOR KRFF302ESS02



REFRIGERADOR KRFF302ESS02

<u>Illus. No.</u>	<u>Part No.</u>	<u>Description</u>
1		Door, Left
	13107886S	Stainless
2		Door, Right
	13107885S	Stainless
3	12804701SP	Door, Dairy
4	12369502SP	Tray, Dairy
5	W10371194	Bucket, Medium
6	12990204	Screw
7	W11328753	Screw
8		Gasket, Door
		Left Hand
	W10830283	Grey
		Right Hand
	W10830162	Grey

<u>Illus. No.</u>	<u>Part No.</u>	<u>Description</u>
9	W10449760	Gripper, Gallon
10	W10450021	Gripper, Medium
11		Handle, Door
	W11246058	Stainless
12	W10289497	Bucket, Gallon
13		Nameplate
	W10765861	Grey
14		Mullion, Door
	12722803APN.	Grey
15	12990504	Screw
16		Closure, Door
	12028505AP	Grey
17		Stop, Door
	12968202AP	Grey

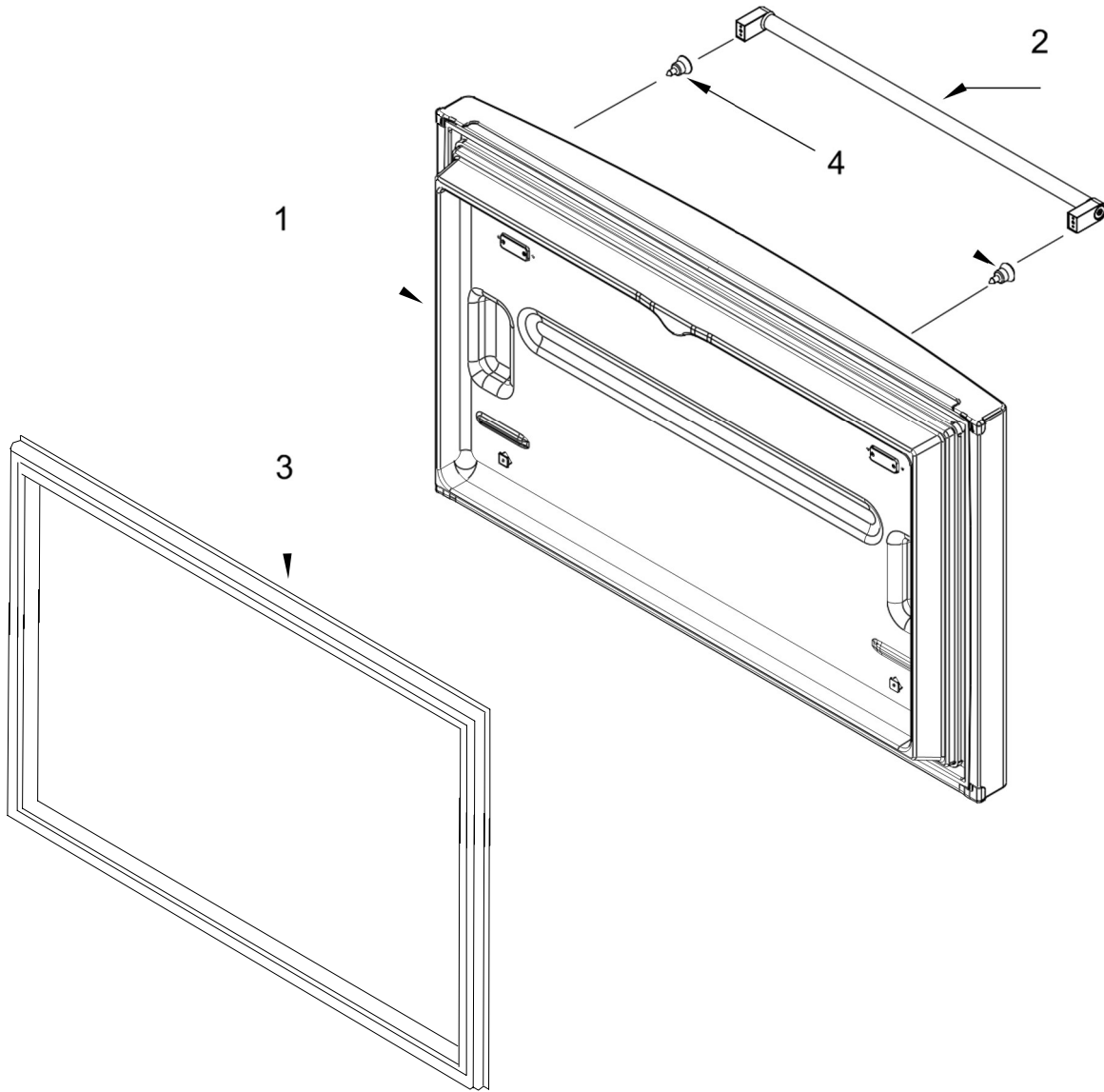
<u>Illus. No.</u>	<u>Part No.</u>	<u>Description</u>
18		Latch, Door Closer
		Right Hand
	W10833739	Grey
19		Latch, Door Closer
		Left Hand
	W10833741	Grey
20	12990518	Screw
21	W10351081	Bucket, Small
22	W10450001	Gripper, Small
23	12996601	Clip, Bushing
24	12918704	Bucket, Gallon (Clear)

Distribuidor Autorizado

SurteRápido.com

Venta de Refacciones
Electrodomesticas

REFRIGERADOR KRFF302ESS02





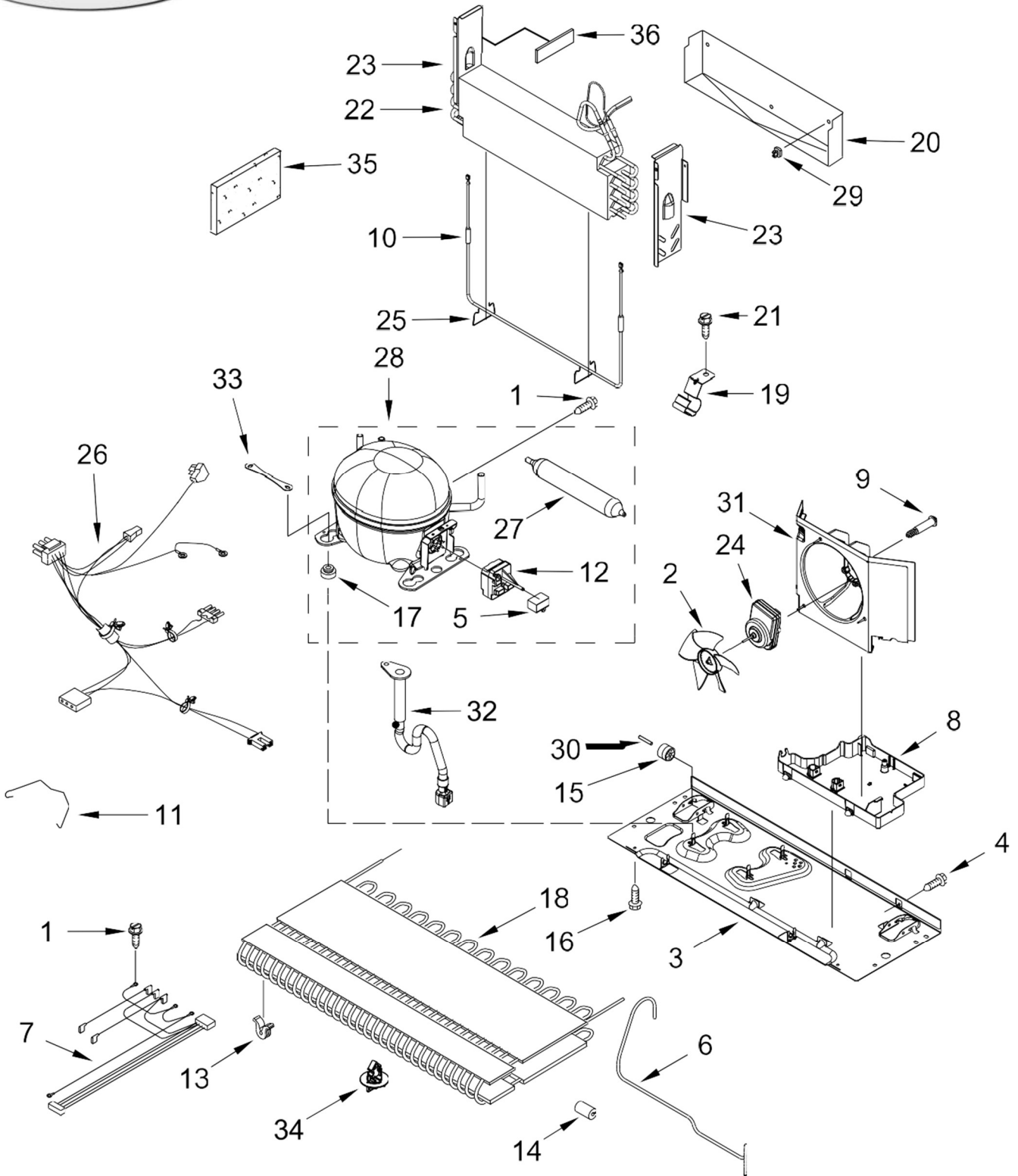
REFRIGERADOR KRFF302ESS02

<u>Illus. No.</u>	<u>Part No.</u>	<u>Description</u>
1	12977877S	Door, Freezer Stainless

<u>Illus. No.</u>	<u>Part No.</u>	<u>Description</u>
2	W11245134	Handle, Door Stainless

<u>Illus. No.</u>	<u>Part No.</u>	<u>Description</u>
3	W10443316	Gasket, Door Grey
4	W11328753	Screw

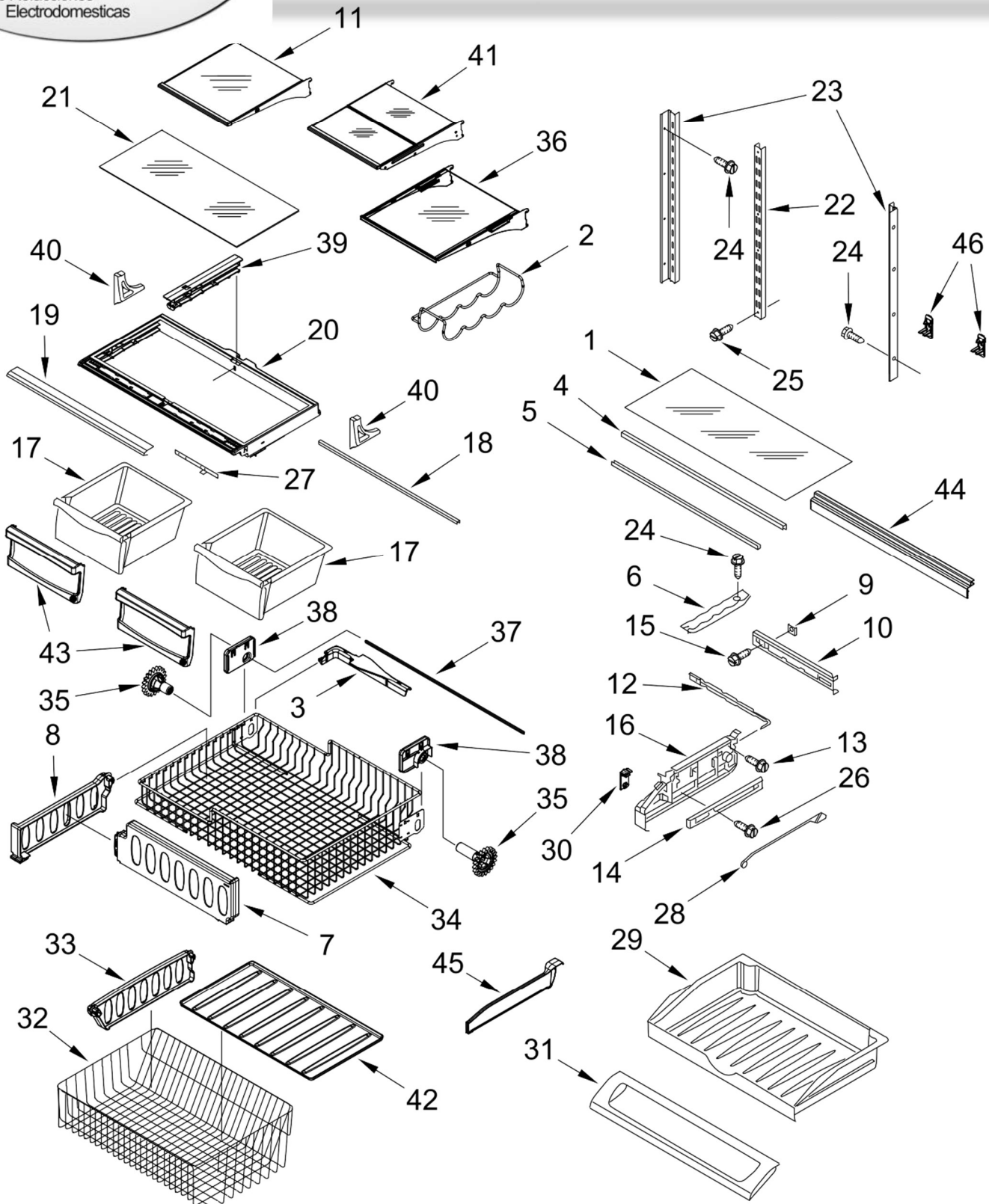
REFRIGERADOR KRFF302ESS02



REFRIGERADOR KRFF302ESS02

<u>Illus. No.</u>	<u>Part No.</u>	<u>Description</u>	<u>Illus. No.</u>	<u>Part No.</u>	<u>Description</u>	<u>Illus. No.</u>	<u>Part No.</u>	<u>Description</u>
1	12992301	Screw	18	W10346420	Condenser	33	W10236396	Strap, Compressor
2	12825803	Blade, Fan	19	W10281329	Clip, Drier	34	W10815863	Clip, Condenser
3	W10480110	Basepan	20	W10292802	Tray, Drip	35	2169104	Insulation, Sound Deadening
4	12990511	Screw	21	12990701	Screw	36	W11244122	Gasket, Foam
5	W10350564	Capacitor	22	W10669254	Evaporator			Following Parts Not Illustrated
6	W10233570	Tube, Discharge	23		Dam			978025 Valve, Access (1/4")
7	W11174745	Harness, Evaporator Heater		12225602	Left Hand			978026 Valve, Access (5/16")
8	W10655367	Pan, Drain		12225702	Right Hand			978027 Valve, Access (3/8")
9	W10622701	Screw	24	W11373924	Motor, Condenser Fan			978029 Valve, Access (5/8")
10	12729128	Heater, Defrost	25	10428101	Clip, Heater			978030 Valve, Access (3/4")
11	W10216075	Strap, Bale	26	W11224411	Harness, Unit (Includes Power Cord)			876764 Valve, Access (3/16")
12	W10796752	Device, Start	27	W10177049	Drier			REFRIGERANT CHARGE
13	W10137529	Grommet, Condenser	28	W10445423	Compressor			5.0 oz. (R-134A)
14	2319835	Grommet, Condenser15	29	10623002	Clip, Evaporator			
	12477102	Roller	30	12477202	Axle, Roller			
16	12992101	Screw	31	W10189184	Shroud, Condenser Fan			
17	10835903SP	Grommet, Compressor	32	W10622099	Extension, Drain Tube			

REFRIGERADOR KRFF302ESS02



REFRIGERADOR KRFF302ESS02

Illus.
No. Part No. Description

1	12204820	Glass, Pantry
2	W10740489	Rack, Wine
3	W10149389N	Lift, Bail Arm
4	13048801	Trim, Pantry Glass
5	W10783763	Brace, Crisper Frame
6	12531901	Track, Pantry Drawer
7	W10311695	Divider, Basket (Upper)
8	W10241046	Divider, Basket (Upper)
9	12656902	Gasket, Pantry
10	13048301	Housing, Control
11	W10739624	Assembly, Shelf
12	13048401	Slide, Temperature
13	12990512	Screw
14	W10235370	Glide, Pantry
15	12990513	Screw
16		Endcap, Pantry
	W11186157	Left Hand
	W11185285	Right Hand
17	12530505SP	Pan, Crisper
18	12227303WD	Brace, Crisper Cover

Illus.
No. Part No. Description

19	W10231343	Trim, Crisper
20	W10671241	Frame, Crisper
21	12204822	Glass, Crisper
22	W10273463	Ladder, Center
23	W10251969	Ladder, Side
24	12990513	Screw
25	W10215666	Screw
26	12990504	Screw
27	12530805SP	Slide, Humidity Control
28	13048201	Bar, Control
29	13048501SP	Drawer, Pantry
30	12655204	Knob, Temperature Control
31	12656823	Lid, Pantry
32	W11115780	Basket, Freezer
36	W10781753	Assembly, Shelf (Wine)
33	W10146440	Divider, Basket
37	W10802331	Shelf, Rack
38	W11115252	Mount, Gear
34	W10348259	Basket, Freezer (Upper)
35	W10348260	Right Hand Gear, Spur
	W10474716	Left Hand
	W10474715	Right Hand

Illus.
No. Part No. Description

			r
		Frame	
	12531001	Left Hand	
	12531002	Right Hand	
41	W10738156	Assembly, Tuck Shelf	
39	W1061238	Rail, Center Crisp	
42	W10316995	Tray, Lower Basket	
40		Support, Crisper	
43	12802302SP	Front, Crisper	
44	W10528936	Support, Glass	
45	13048601SP	Divider, Pantry Drawer	
46	12531802	Hook, Ladder	

OPTIONAL PARTS

PAINT, TOUCH-UP (1/2OZ.)

Illus.

<u>No.</u>	<u>Part No.</u>	<u>Description</u>
	72017	White
	72032	Black
	W10134625	Apollo Grey
	W10917540	Midnight Grey
	511873	White Porcelain (2 oz.)
	4392899	Biscuit/Bisque

PAINT, PRESSURIZED SPRAY (12 OZ.)

Illus.

<u>No.</u>	<u>Part No.</u>	<u>Description</u>
	350930	White
	350939	Enamel, Black
	285006	Black
	350942	White Primer
	4392901	Biscuit/Bisque

PAINT, BULK (1 QT.)

Illus.

<u>No.</u>	<u>Part No.</u>	<u>Description</u>
	799344	White (Uncut)

MISCELLANEOUS

Illus.

<u>No.</u>	<u>Part No.</u>	<u>Description</u>
	212643	Sealer, Gum (4 Feet)
	479502	Tape, Vinyl (3/4 x 108")
	876370	Insulation (2 Pieces, 3" x 24" x 48")
	876305	Insulation Kit (14 Pieces, 3" x 24" x 48")
	978941	Insulation, Fiberglass (63 1/2" x 35 1/2" x 2 5/8")
	876029	Kit, Foam Slab (30" x 32 1/2" x 1 1/2")
	505587	Sealer, Mastic (1 Qt)
	503695	Cork, Sealer
	20000008	Cleaner, Stainless Steel
	542638	Grease, Silicone (1/2 Oz.)
	542639	Cement, Alumilastic (1 1/4 Oz.)
	833938	Kit, Terminal Connector
	8003RP	Kit, Water Inlet

TORX SCREW WRENCH

Illus.

<u>No.</u>	<u>Part No.</u>	<u>Description</u>
	1117510	Torx Key