

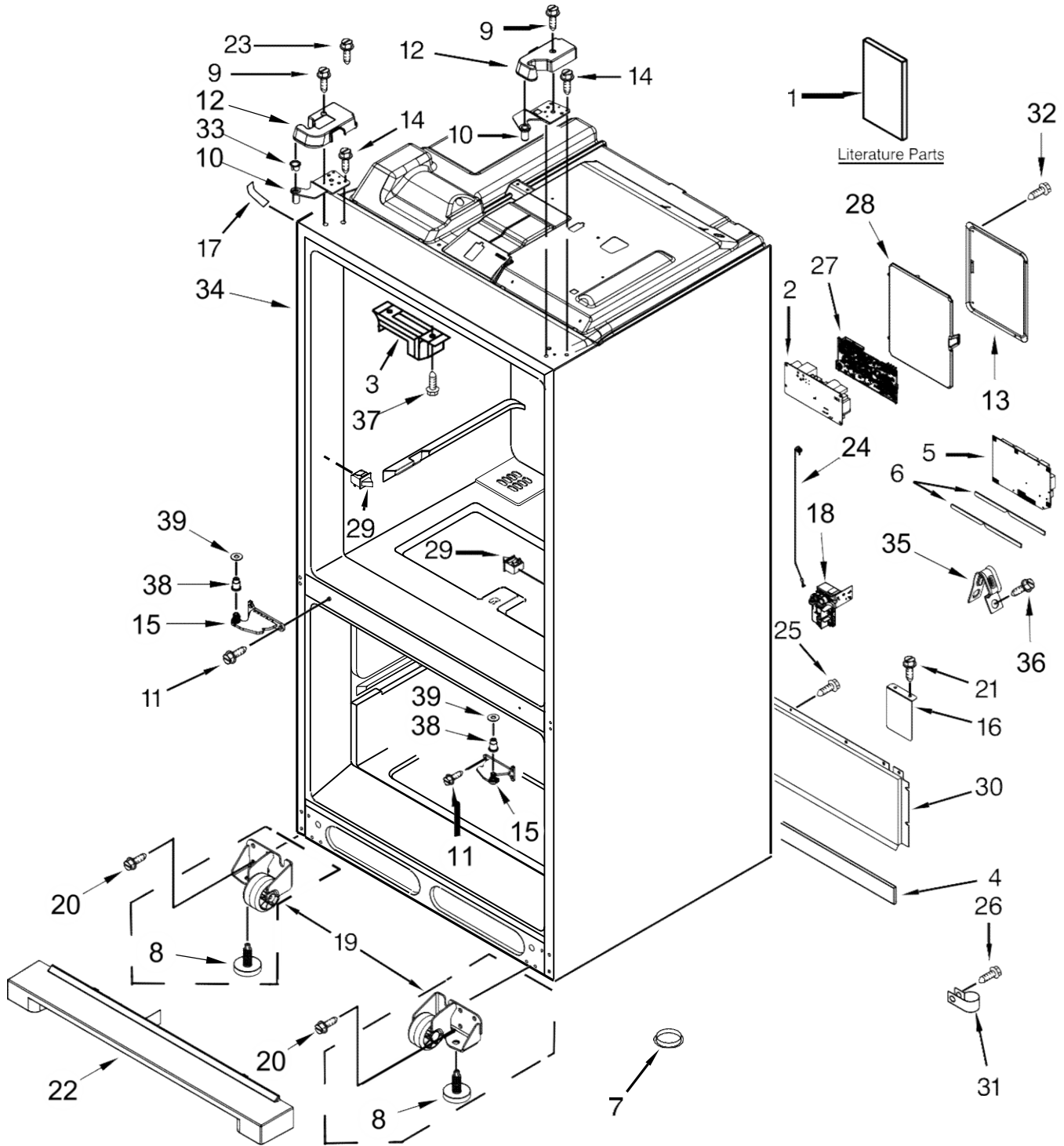
KitchenAid®

FRENCH DOOR BOTTOM MOUNT REFRIGERATOR

MODELS:

KRMF606ESS01 (Stainless Steel)

REFRIGERADOR KRMF606ESS01



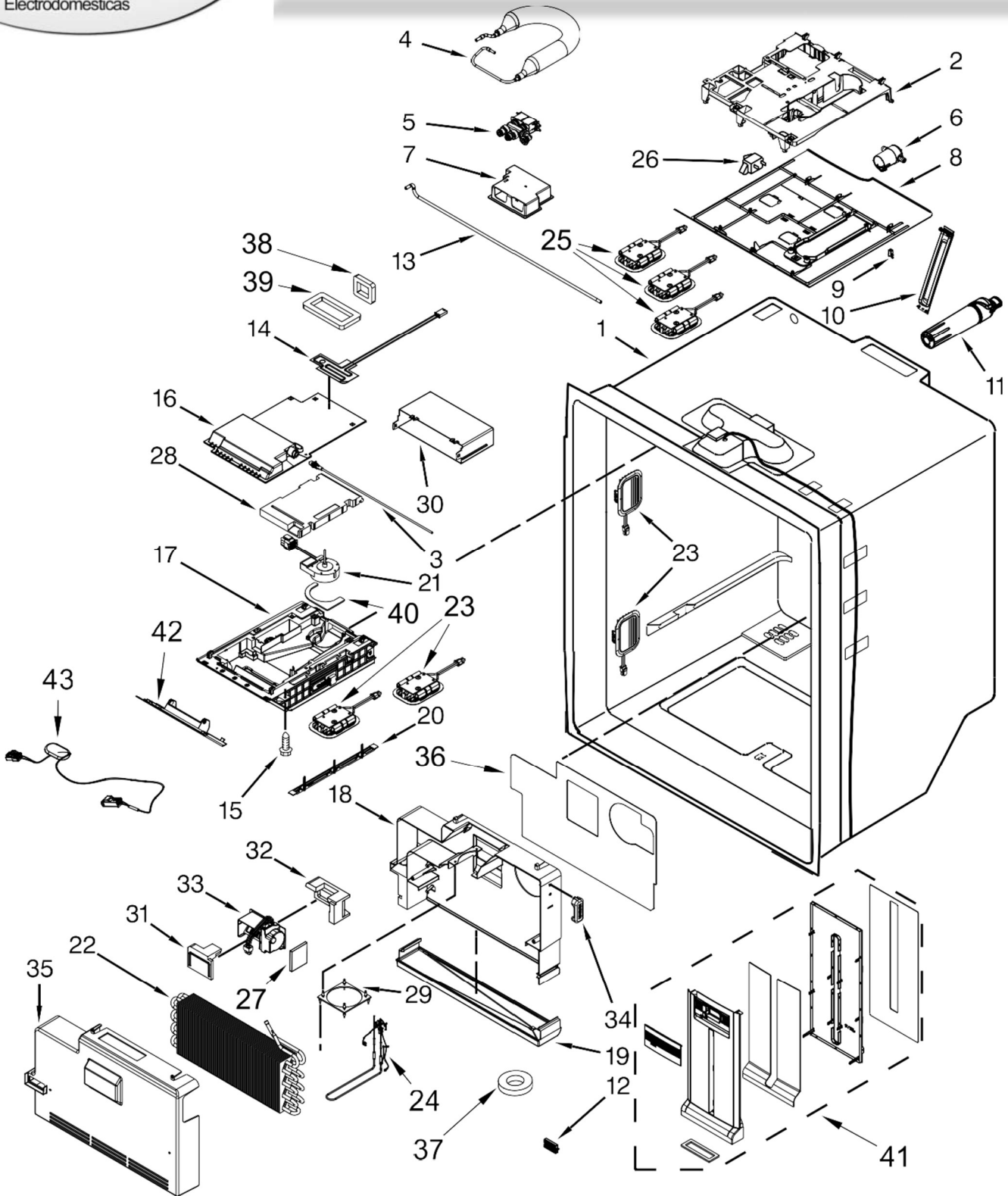
REFRIGERADOR KRMF606ESS01

| <u>Illus. No.</u> | <u>Part No.</u> | <u>Description</u> |
|-------------------|-----------------|--------------------------------|
| 1 | | Literature Parts Tech Sheet |
| | W10844356 | English |
| | W10844357 | French |
| | W10730912 | Owners Manual |
| | W10811660 | Energy Guide |
| 2 | W10624574 | Supply, Power |
| 3 | W10734554 | Block, Pivot |
| 4 | W10505487 | Gasket |
| 5 | W10811365 | Board, Control |
| 6 | W10415341 | Gasket, HV Box |
| 7 | | Plug, Button |
| | A3076901 | Black |
| 8 | W10141622 | Brake, Roller |
| 9 | 12992602 | Screw |
| 10 | | Hinge, Top |
| | W10691543 | Left Hand |
| | W10691546 | Right Hand |
| 11 | W10673840 | Screw (Stainless) |

| <u>Illus. No.</u> | <u>Part No.</u> | <u>Description</u> |
|-------------------|-----------------|-------------------------------|
| 12 | | Cover, Top Hinge Left Hand |
| | W10781436 | Grey Right Hand |
| | W10709866 | Grey |
| 13 | W10754591 | Cover, Control Box |
| 14 | W10731474 | Screw |
| 15 | | Hinge, Center Left Hand |
| | W10691675 | Grey Right Hand |
| | W10691701 | Grey |
| 16 | W10336736 | Cover, Roller |
| 17 | | Cover, Corner |
| | 12587703AP | Grey |
| 18 | W10394076 | Valve, Water |
| 19 | | Assembly, Roller |
| | W10515763 | Left Hand |
| | W10515762 | Right Hand |
| 20 | W10709365 | Screw |
| 21 | 12990701 | Screw |

| <u>Illus. No.</u> | <u>Part No.</u> | <u>Description</u> |
|-------------------|-----------------|------------------------------------|
| 22 | | Grille, Toe |
| | W10707958 | Grey |
| 23 | 12992601 | Screw |
| 24 | W10678711 | Tube, Water |
| 25 | W10141645 | Screw |
| 26 | 12990511 | Screw |
| 27 | W10788814 | Supply, LED Power |
| 28 | W10277839 | Lid, HV |
| 29 | 12466105 | Switch, Light |
| 30 | W10577369 | Cover, Unit |
| 31 | M0108107 | Clamp, Tube |
| 32 | 12990702 | Screw |
| 33 | W10705239 | Retainer, Door |
| 34 | | Cabinet (Not a Servicable Part) |
| 35 | 549193 | Clamp, Power Cord |
| 36 | W10141645 | Screw |
| 37 | 12990302 | Screw |
| 38 | W10732518 | Bushing |
| 39 | W10737410 | Washer |

REFRIGERADOR KRMF606ESS01



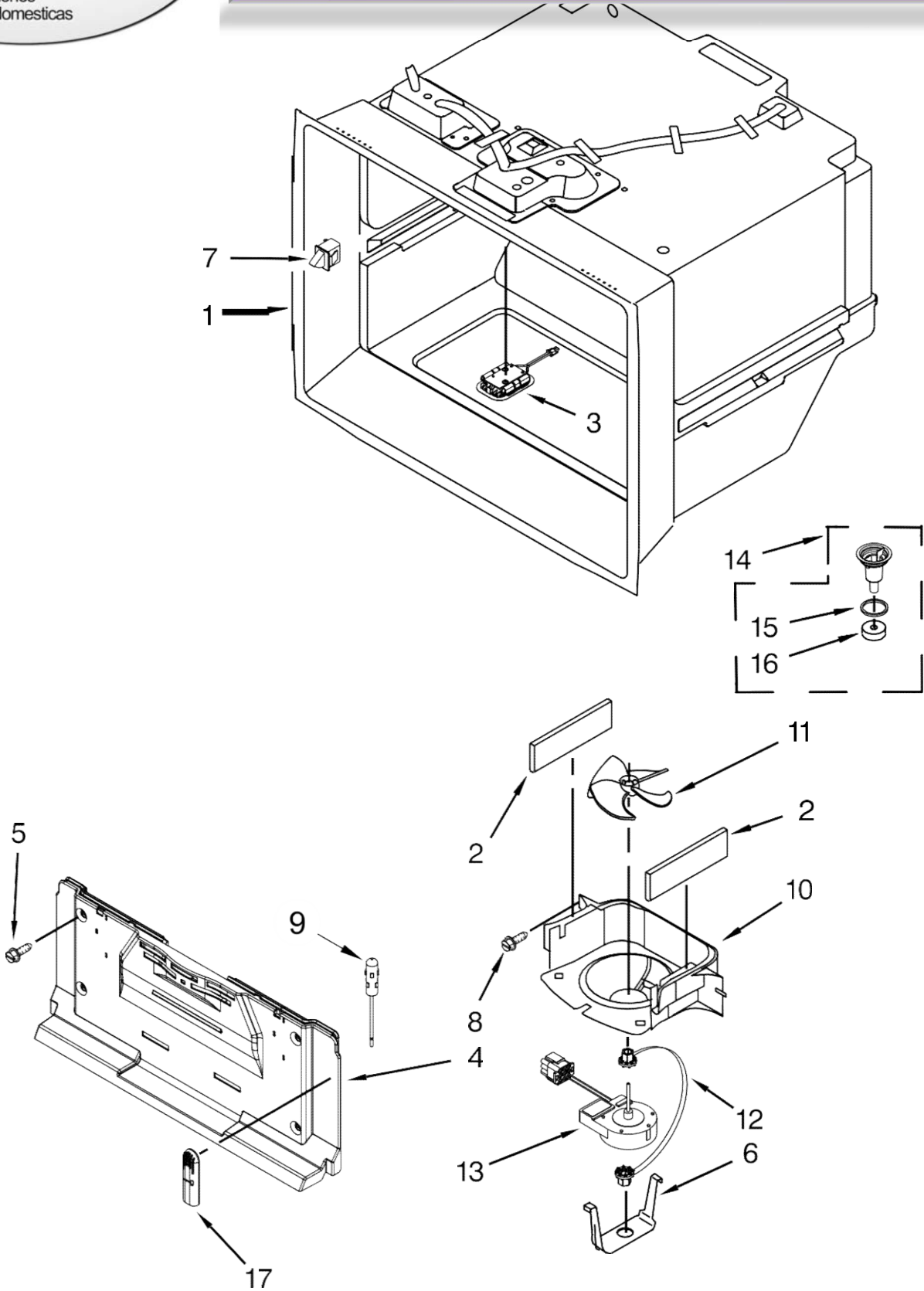
REFRIGERADOR KRMF606ESS01

| <u>Illus. No.</u> | <u>Part No.</u> | <u>Description</u> |
|-------------------|-----------------|---|
| 1 | | Liner (Not A Serviceable Part) |
| 2 | W10705147 | Housing, Water System |
| 3 | W10736144 | Tube, Fill |
| 4 | W10711460 | Reservoir, Water (Also Order Wire Tie Part 8567668) |
| 5 | W10341329 | Valve, Dual Water |
| 6 | W10238156 | Housing, Water Filter |
| 7 | W10279854 | Enclosure, Valve |
| 8 | W10669663 | Cover, Waterbox |
| 9 | 2223877 | Latch, Push |
| 10 | W10277949 | Door, Filter Access |
| 11 | W10680605 | Filter, Water |
| 12 | W10315189 | Filter, Air |
| 13 | W10674102 | Waterline, Valve To Hinge |
| 14 | W10820065 | Heater, Fill Tube |
| 15 | 12990518 | Screw |
| 16 | W10598013 | Cover, Icebox |

| <u>Illus. No.</u> | <u>Part No.</u> | <u>Description</u> |
|-------------------|-----------------|---|
| 17 | W10811686 | Assembly, Icebox (Foamed) |
| 18 | W10503486 | Enclosure, Evaporator |
| 19 | W10525237 | Pan, Drain |
| 20 | W10505516 | Trim, Icebox |
| 21 | W10833801 | Fan, Icebox |
| 22 | W10630535 | Assembly, Evaporator |
| 23 | W10843339 | Assembly, LED Module |
| 24 | W10799016 | Assembly, Refrigerator Evaporator Wire (Includes Evaporator Fan Motor and Thermistor) |
| 25 | W10843828 | Harness, LED Wire (Includes LED lights) |
| 26 | C3680310V | Switch, Light |
| 27 | W10470981 | Gasket, Damper |
| 28 | W10280983 | Insulation |
| 29 | W10389152 | Support, Fan |
| 30 | W10635022 | Adapter, Icebox |
| 31 | W10503491 | Retainer, Damper |

| <u>Illus. No.</u> | <u>Part No.</u> | <u>Description</u> |
|-------------------|-----------------|---------------------------------|
| 32 | W10503492 | Support, Damper |
| 33 | W10248595 | Damper, Electronic Control |
| 34 | W10438957 | Cover, Thermistor |
| 35 | W10503500 | Cover, Evaporator |
| 36 | W10465948 | Gasket, Evaporator Enclosure |
| 37 | W10510863 | Gasket, Drain Tube |
| 38 | W10320706 | Gasket, Rear Return |
| 39 | W10280988 | Gasket, Rear Supply |
| 40 | W10392172 | Gasket, Fan |
| 41 | W10749501 | Assembly, Air Tower |
| 42 | W10682576 | Assembly, Icebox Fascia |
| 43 | W10673048 | Jumper, Fascia Heater |
| | | Following Parts Not Illustrated |
| | W10821278 | Wire Assembly Dual Valve Box |

REFRIGERADOR KRMF606ESS01



Distribuidor Autorizado

SurteRápido.com

Venta de Refacciones
Electrodomesticas

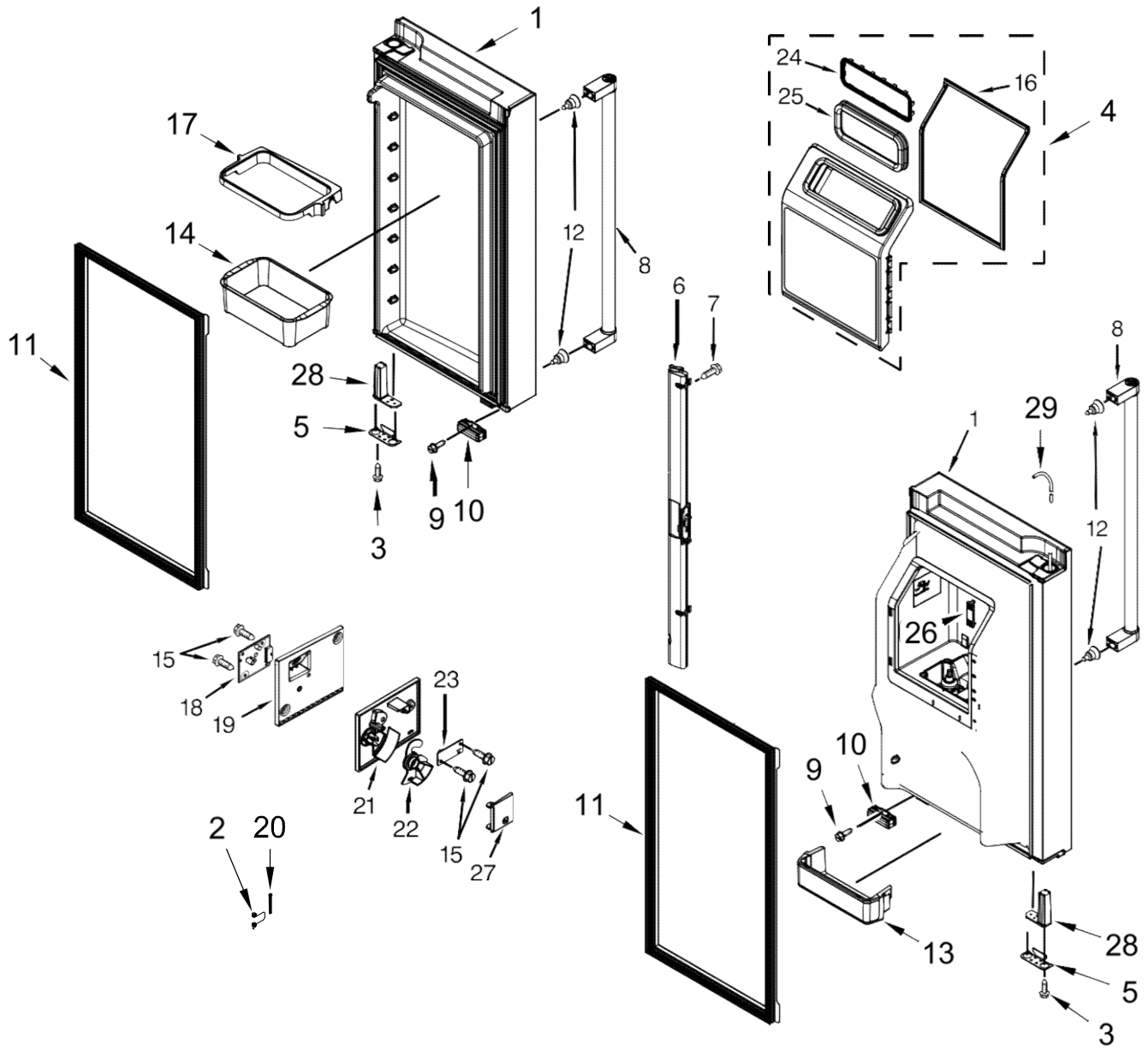
REFRIGERADOR KRMF606ESS01

| <u>Illus.</u> <u>No.</u> | <u>Part No.</u> | <u>Description</u> |
|-----------------------------|-----------------|--------------------------------------|
| 1 | | Liner (Not A Serviceable Part) |
| 2 | W10459031 | Gasket |
| 3 | W10843353 | Assembly, LED Light Module |
| 4 | W10736933 | Assembly, Evaporator Cover (Freezer) |
| 5 | 12990501 | Screw |
| 6 | 12956601 | Clip, Fan Motor |
| 7 | C3680310V | Switch, Light |

| <u>Illus.</u> <u>No.</u> | <u>Part No.</u> | <u>Description</u> |
|-----------------------------|-----------------|---|
| 8 | 12990504 | Screw |
| 9 | W10280385 | Thermistor |
| 10 | W10363507 | Shroud, Evaporator Fan |
| 11 | 12986101 | Blade, Fan |
| 12 | 12951101 | Grommet, Fan Motor |
| 13 | W10701003 | Motor, Evaporator (Includes Harness Thermistor, and Defrost Thermostat) |

| <u>Illus.</u> <u>No.</u> | <u>Part No.</u> | <u>Description</u> |
|-----------------------------|-----------------|------------------------|
| 14 | W10503218 | Assembly, Drain Funnel |
| 15 | M0500703 | Seal |
| 16 | B8381501 | Gasket, Drain |
| 17 | W10698555 | Cover, Thermistor |

REFRIGERADOR KRMF606ESS01



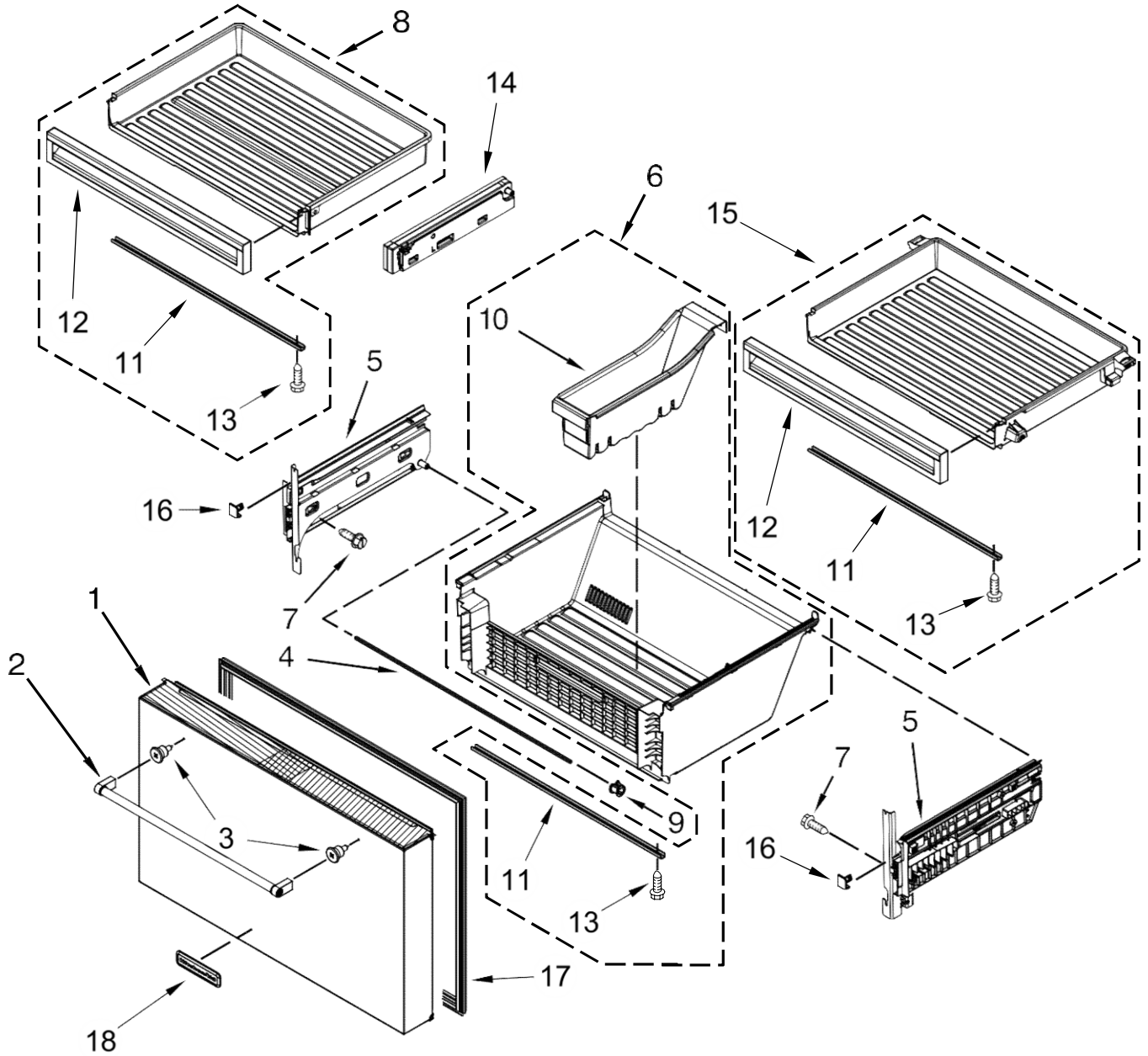
REFRIGERADOR KRMF606ESS01

| <u>Illus. No.</u> | <u>Part No.</u> | <u>Description</u> |
|-------------------|-----------------|--------------------|
| 1 | | Door, Refrigerator |
| | | Left Hand |
| | W10634614 | Stainless |
| | | Right Hand |
| | W10789670 | Stainless |
| 2 | 2198635 | Spring, Door |
| 3 | W10238319 | Screw |
| 4 | W10549590 | Door, Ice |
| 5 | | Stop, Door |
| | W10708583 | Black |
| 6 | | Mullion, Door |
| | W10733652 | Grey |
| 7 | 12990204 | Screw |
| 8 | | Handle, Door |
| | W10680044 | Stainless |

| <u>Illus. No.</u> | <u>Part No.</u> | <u>Description</u> |
|-------------------|-----------------|---------------------------------|
| 9 | 12990504 | Screw |
| 10 | | Bumper, Door |
| | W10407188 | Grey |
| 11 | | Gasket, Door |
| | W10873944 | Grey |
| 12 | W10460893 | Screw |
| 13 | W10737419 | Trivet, 2 Liter |
| 14 | W10737416 | Bucket, Gallon |
| 15 | 489214 | Screw |
| 16 | W10347085 | Gasket, Ice Compartment Door |
| 17 | W10737415 | Frame, Bin |
| 18 | W10518658 | Board, Receiver Circuit |
| 19 | W10258510 | Cover, Receiver |
| 20 | 2198634 | Pin, Door |
| 21 | W10258502 | Cover, Emitter |

| <u>Illus. No.</u> | <u>Part No.</u> | <u>Description</u> |
|-------------------|-----------------|--------------------------|
| 22 | W10258540 | Slide, Icemaker Shut Off |
| 23 | W10832970 | Board, Emitter Circuit |
| 24 | W10400825 | Retainer, Ice Chute |
| 25 | W10347087 | Gasket, Ice Chute |
| 26 | W10646855 | Vent, Thermistor |
| 27 | W10258520 | Door, Emitter |
| 28 | | Closer, Door |
| | W10714907 | Left Hand |
| | W10714908 | Right Hand |
| 29 | W10663692 | Tube, Water |

REFRIGERADOR KRMF606ESS01



Distribuidor Autorizado

SurteRápido.com

Venta de Refacciones
Electrodomesticas

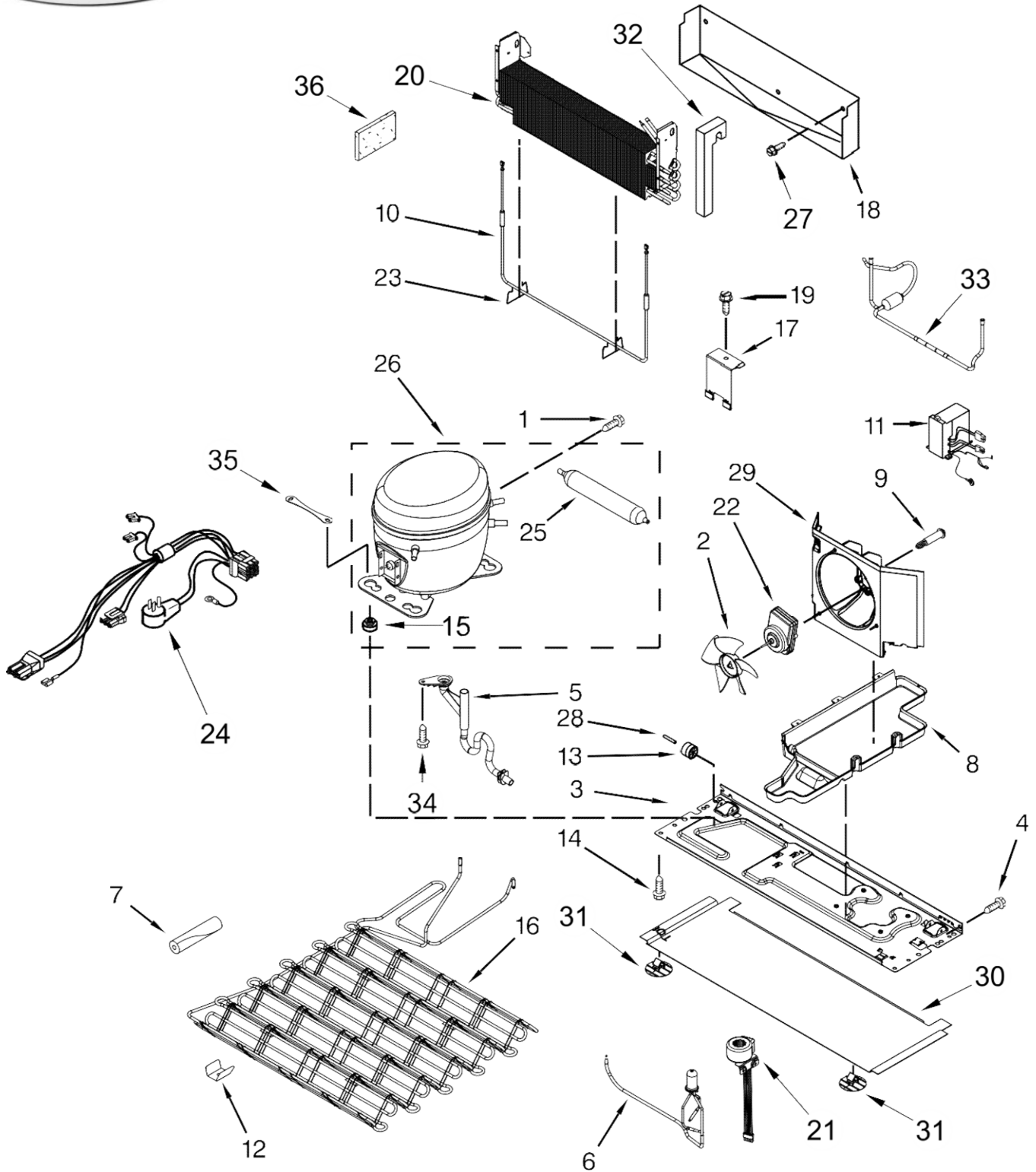
REFRIGERADOR KRMF606ESS01

| <u>Illus.</u> <u>No.</u> | <u>Part No.</u> | <u>Description</u> |
|-----------------------------|-----------------|--------------------|
| 1 | | Door, Freezer |
| | W10634626 | Stainless |
| 2 | | Handle, Door |
| | W10687115 | Stainless |
| 3 | W10460893 | Screw |
| 4 | W10503522 | Shaft |
| 5 | | Assembly, Bracket |
| | W10795770 | Left Hand |
| | W10795768 | Right Hand |
| 6 | W10680631 | Bin, Lower |
| 7 | 12990518 | Screw |

| <u>Illus.</u> <u>No.</u> | <u>Part No.</u> | <u>Description</u> |
|-----------------------------|-----------------|----------------------|
| 8 | W10781962 | Bin, Upper |
| 9 | W10709748 | Clip, Shaft |
| 10 | W10507444 | Divider, Lower |
| 11 | W10469177 | Support, Pan |
| 12 | W10488124 | Front, Freezer Pan |
| 13 | 489443 | Screw (Stainless) |
| 14 | | Adapter, Upper Pan |
| | W10619219 | Left Hand |
| | W10619218 | Right Hand |
| 15 | W10781996 | Assembly, Center Pan |

| <u>Illus.</u> <u>No.</u> | <u>Part No.</u> | <u>Description</u> |
|-----------------------------|-----------------|--------------------|
| 16 | | Stop, Pan |
| | W10485096 | Left Hand |
| | W10485089 | Right Hand |
| 17 | | Gasket, Door |
| | W10248749 | Grey |
| 18 | | Badge |
| | W10518672 | Grey |

REFRIGERADOR KRMF606ESS01



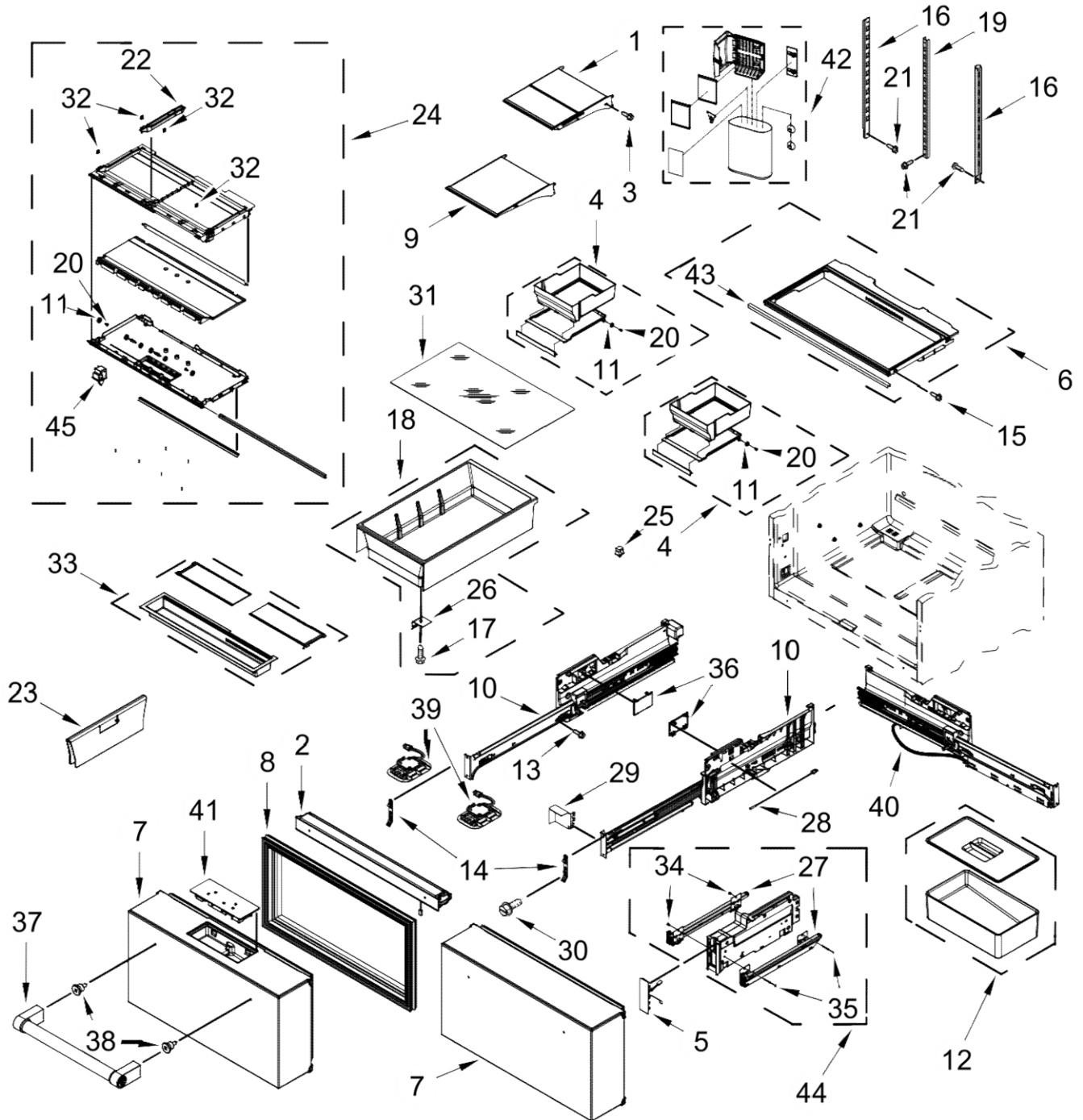
REFRIGERADOR KRMF606ESS01

| <u>Illus. No.</u> | <u>Part No.</u> | <u>Description</u> |
|-------------------|-----------------|------------------------|
| 1 | W10141625 | Screw |
| 2 | 2188935 | Blade, Fan |
| 3 | W10570074 | Baseplate |
| 4 | 12990511 | Screw |
| 5 | W10776916 | Extension, Drain |
| 6 | W10696498 | Assembly, Valve Body |
| 7 | W10303521 | Sleeve |
| 8 | W10660727 | Tray, Evaporator |
| 9 | W10622701 | Screw |
| 10 | 12729128 | Heater, Defrost |
| 11 | W10710090 | Assembly, Inverter Box |
| 12 | W10248621 | Clip, Condenser |
| 13 | 12477102 | Roller |
| 14 | 12992101 | Screw |
| 15 | 10835903 | Grommet |
| 16 | W10758093 | Condenser |
| 17 | W10391376 | Bracket, Valve |

| <u>Illus. No.</u> | <u>Part No.</u> | <u>Description</u> |
|-------------------|-----------------|--|
| 18 | W10342573 | Tray, Drip |
| 19 | W10141645 | Screw |
| 20 | W10248589 | Assembly, Evaporator |
| 21 | W10709318 | Coil, 3 Way Valve |
| 22 | W10527155 | Motor, Condenser Fan |
| 23 | 10428101 | Clip, Heater |
| 24 | W10672162 | Assembly, Unit Wire (Includes Power Cord) |
| 25 | W10286069 | Drier |
| 26 | W10756020 | Compressor |
| 27 | W10142294 | Screw |
| 28 | 12477202 | Axle, Roller |
| 29 | W10406719 | Shroud |
| 30 | W10278140 | Cover, Condenser (Bottom) |
| 31 | W10815861 | Clip, Bottom Cover |
| 32 | W10491355 | Gasket, Airdam |

| <u>Illus. No.</u> | <u>Part No.</u> | <u>Description</u> |
|---------------------------------|-----------------|------------------------|
| 33 | W10626970 | Assembly, Suction Tube |
| 34 | W10141518 | Screw |
| 35 | W10236396 | Strap, Compressor |
| 36 | 2169104 | Sealer, Insulation |
| Following Parts Not Illustrated | | |
| | 978025 | Valve, Access |
| | 978026 | Valve, Access |
| | 978027 | Valve, Access |
| | 978028 | Valve, Access |
| | 978029 | Valve, Access |
| | 978030 | Valve, Access |
| | 876764 | Valve, Access |
| | | REFRIGERANT CHARGE |
| | | 6.00 oz. (R-134A) |

REFRIGERADOR KRMF606ESS01



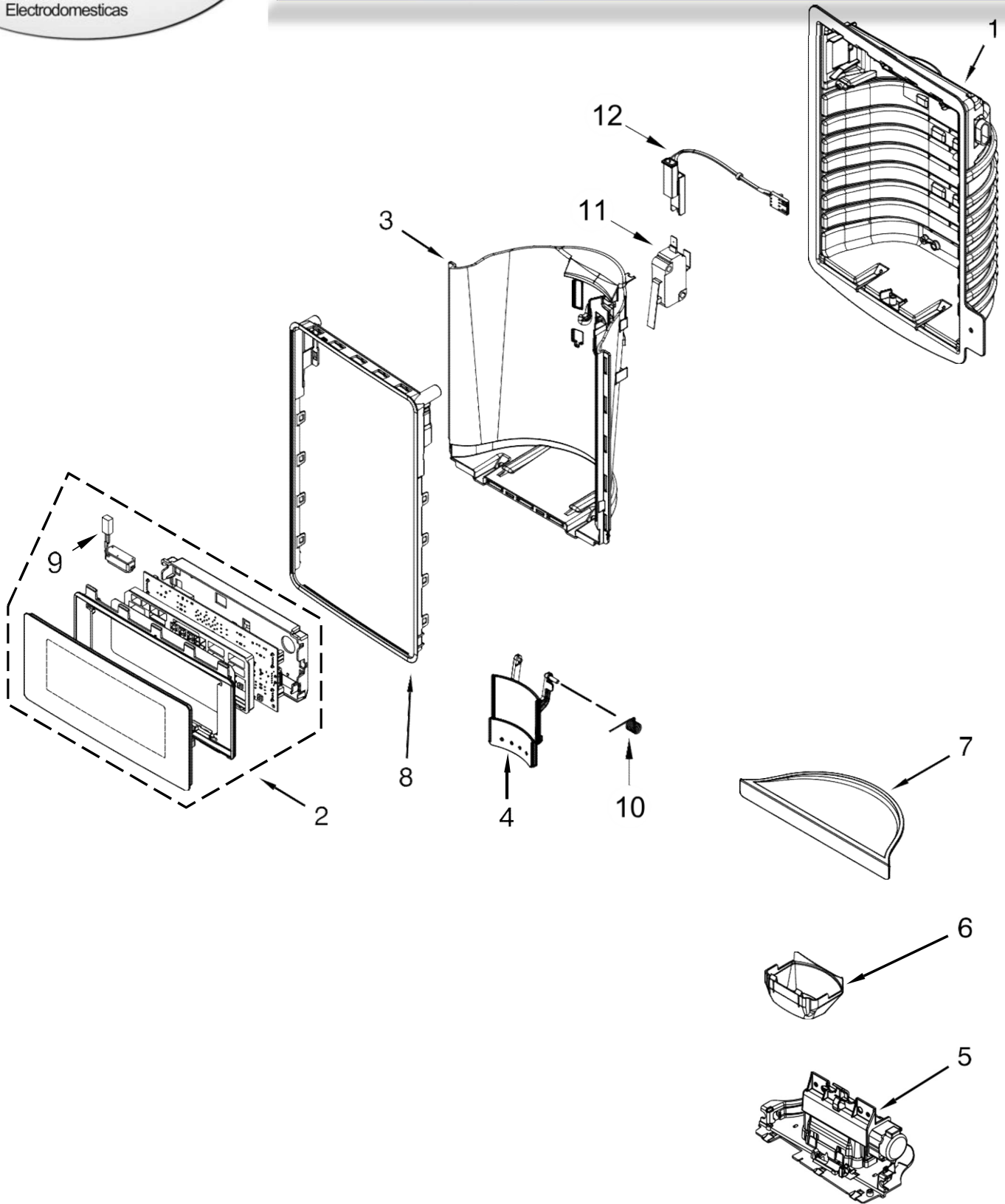
REFRIGERADOR KRMF606ESS01

| <u>Illus. No.</u> | <u>Part No.</u> | <u>Description</u> |
|-------------------|-----------------|--------------------------------|
| 1 | W10737427 | Shelf, Tuck |
| 2 | | Assembly, Secondary Mullion |
| | W10849121 | Grey |
| 3 | W10421495 | Screw |
| 4 | W10801137 | Assembly, Crisper |
| 5 | | Assembly, Mullion Cover |
| | W10733546 | Grey |
| 6 | W10796184 | Assembly, Crisper Cover |
| 7 | | Door, Pantry (Includes Item 8) |
| | | Left Hand |
| | W10733262 | Stainless |
| | | Right Hand |
| | W10738903 | Stainless |
| 8 | | Gasket, Pantry |
| | W10685868 | Grey |
| 9 | W10756310 | Shelf, Fixed |
| 10 | | Adapter, Pantry |
| | W10718058 | Left Hand |
| | W10718057 | Right Hand |
| 11 | W10788795 | Roller |

| <u>Illus. No.</u> | <u>Part No.</u> | <u>Description</u> |
|-------------------|-----------------|--|
| 12 | W10634636 | Assembly, Herb Bin |
| 13 | 98006631 | Screw |
| 14 | W10732765 | Clip, Glide Door |
| 15 | 12990301 | Screw |
| 16 | W10467460 | Ladder, Side |
| 17 | W10664603 | Screw |
| 18 | W10734569 | Assembly, Pantry Drawer |
| 19 | W10467461 | Ladder, Center |
| 20 | 12991401 | Screw |
| 21 | W10666373 | Screw |
| 22 | W10638123 | Guide, Crisper |
| 23 | W10709891 | Divider, Pantry Pan |
| 24 | W10802390 | Assembly, Floor |
| 25 | C3680310V | Switch, Light |
| 26 | W10704335 | Clip, Drawer Body |
| 27 | | Glide, Pantry (Also Order Items 34 and 35) |
| | W10847525 | Left Hand |
| | W10735385 | Right Hand |
| 28 | W10549991 | Thermistor |
| 29 | W10711645 | Cover, Connector |

| <u>Illus. No.</u> | <u>Part No.</u> | <u>Description</u> |
|-------------------|-----------------|---------------------------------|
| 30 | W10140652 | Screw |
| 31 | W10493549 | Glass, Crisper |
| 32 | 12702901 | Pad, Glide |
| 33 | W10793117 | Assembly, Secondary Mullion Bin |
| 34 | W10737730 | Nut, Rivet |
| 35 | W10737605 | Screw |
| 36 | W10518036 | Cover, Side Adapter |
| 37 | | Handle, Door |
| | W10680045 | Stainless |
| 38 | W10460893 | Screw |
| 39 | W10843339 | Assembly, LED Module |
| 40 | W10512203 | Harness, Side Adapter |
| 41 | | Interface, User |
| | W10769076 | Stainless |
| 42 | W10826105 | Assembly, Produce Preserver |
| 43 | W10684313 | Support, Front |
| 44 | W10847588 | Assembly, Pantry Center Adapter |
| 45 | 12466104 | Switch, Rocker |

REFRIGERADOR KRMF606ESS01



Distribuidor Autorizado

SurteRápido.com

Venta de Refacciones
Electrodomesticas

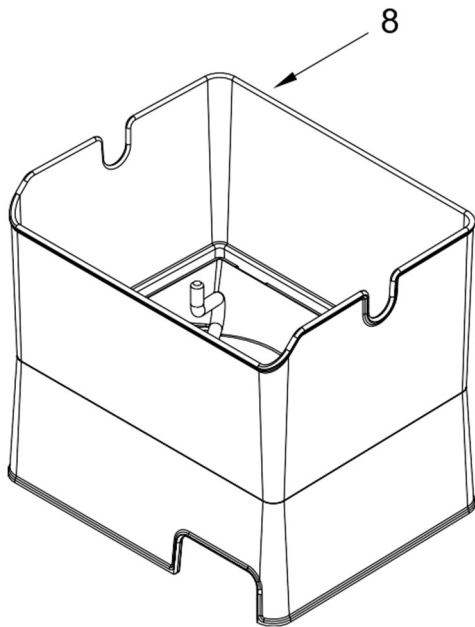
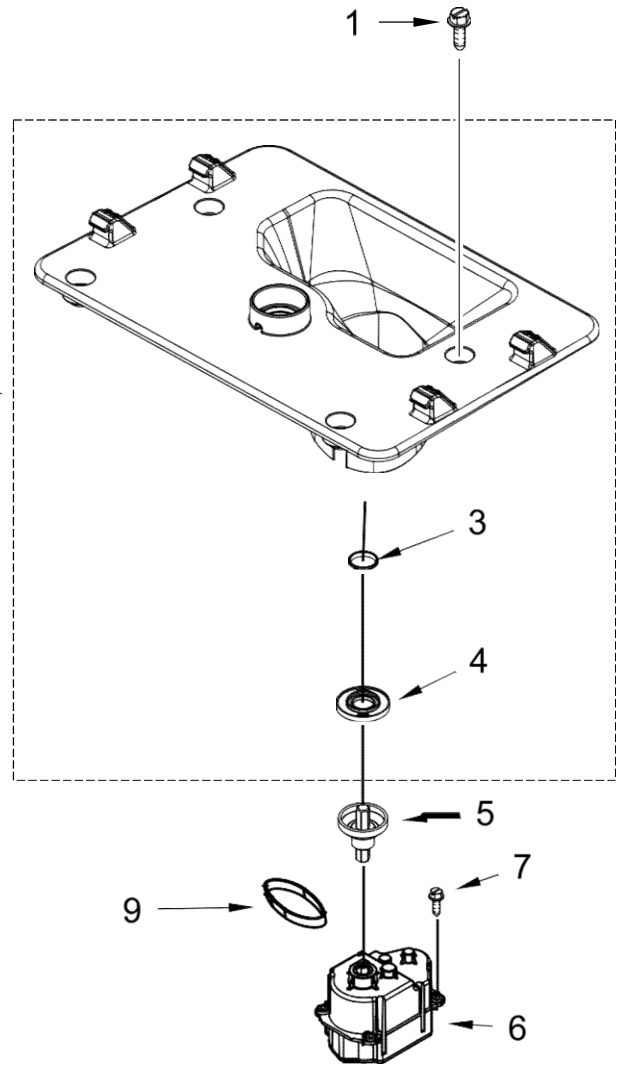
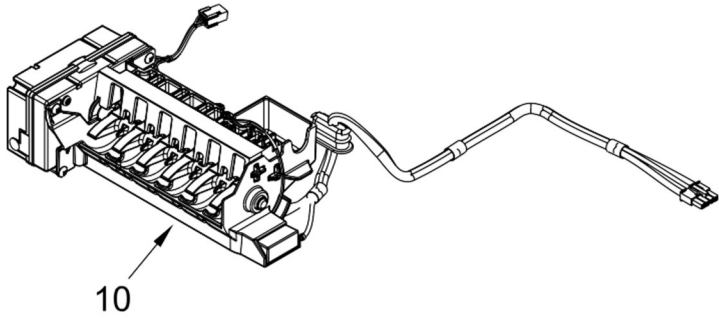
REFRIGERADOR KRMF606ESS01

| <u>Illus. No.</u> | <u>Part No.</u> | <u>Description</u> |
|-------------------|-----------------|-----------------------------------|
| 1 | | Housing, Dispenser (Not Serviced) |
| 2 | | Assembly, User Interface |
| | W10852741 | Black |
| 3 | | Wall, Dispenser False |
| | W10654549 | Black |

| <u>Illus. No.</u> | <u>Part No.</u> | <u>Description</u> |
|-------------------|-----------------|---------------------|
| 4 | | Assembly, Pad |
| | W10663646 | Black |
| 5 | W10654548 | Assembly, Seperator |
| 6 | W10435760 | Guide, Ice |
| 7 | | Tray, Drip |
| | W10654552 | Black |

| <u>Illus. No.</u> | <u>Part No.</u> | <u>Description</u> |
|-------------------|-----------------|------------------------------|
| 8 | | Ring, Trim |
| | W10654551 | Chrome |
| 9 | W10470750 | Assembly, LED |
| 10 | W10663682 | Spring, Torsion |
| 11 | W10403752 | Switch, Limit |
| 12 | W10712476 | Assembly, Switch Jumper Wire |

REFRIGERADOR KRMF606ESS01



Distribuidor Autorizado

SurteRápido.com

Venta de Refacciones
Electrodomesticas

REFRIGERADOR KRMF606ESS01

Illus.

No. Part No. Description

- 1 W10272364 Screw
- 2 W10710619 Plate, Ice Chute
- 3 2198628 Seal
- 4 W10347120 Clip, Retainer

Illus.

No. Part No. Description

- 5 W10347114 Shaft, Motor
- 6 W10215646 Motor, Dispenser
- 7 8281163 Screw (Stainless)
- 8 W10347093 Assembly, Ice Container

Illus.

No. Part No. Description

- 9 W10291905 Gasket
- 10 W10746960 Assembly, Icemaker

OPTIONAL PARTS

PAINT, TOUCH-UP (1/2OZ.)

| <u>Illus.</u> <u>No.</u> | <u>Part No.</u> | <u>Description</u> |
|-----------------------------|-----------------|-------------------------|
| | 72017 | White |
| | 72032 | Black |
| | 511873 | White Porcelain (2 oz.) |
| | 4392899 | Biscuit/Bisque |

PAINT, PRESSURIZED SPRAY (12 OZ.)

| <u>Illus.</u> <u>No.</u> | <u>Part No.</u> | <u>Description</u> |
|-----------------------------|-----------------|--------------------|
| | 350930 | White |
| | 350939 | Enamel, Black |
| | 285006 | Black |
| | 350942 | White Primer |
| | 4392901 | Biscuit/Bisque |

PAINT, BULK (1 QT.)

| <u>Illus.</u> <u>No.</u> | <u>Part No.</u> | <u>Description</u> |
|-----------------------------|-----------------|--------------------|
| | 799344 | White (Uncut) |

MISCELLANEOUS

| <u>Illus.</u> <u>No.</u> | <u>Part No.</u> | <u>Description</u> |
|-----------------------------|-----------------|---|
| | 212643 | Sealer, Gum (4 Feet) |
| | 479502 | Tape, Vinyl (3/4 x 108") |
| | 876370 | Insulation (2 Pieces, 3" x 24" x 48") |
| | 876305 | Insulation Kit (14 Pieces, 3" x 24" x 48") |
| | 978941 | Insulation, Fiberglass (63 1/2" x 35 1/2" x 2 5/8") |
| | 876029 | Kit, Foam Slab (30" x 32 1/2" x 1 1/2") |
| | 505587 | Sealer, Mastic (1 Qt) |
| | 503695 | Cork, Sealer |
| | 20000008 | Cleaner, Stainless Steel |
| | 542638 | Grease, Silicone (1/2 Oz.) |
| | 542639 | Cement, Alumilastic (1 1/4 Oz.) |
| | 833938 | Kit, Terminal Connector |
| | 8003RP | Kit, Water Inlet |

TORX SCREW WRENCH

| <u>Illus.</u> <u>No.</u> | <u>Part No.</u> | <u>Description</u> |
|-----------------------------|-----------------|--------------------|
| | 1117510 | Torx Key |