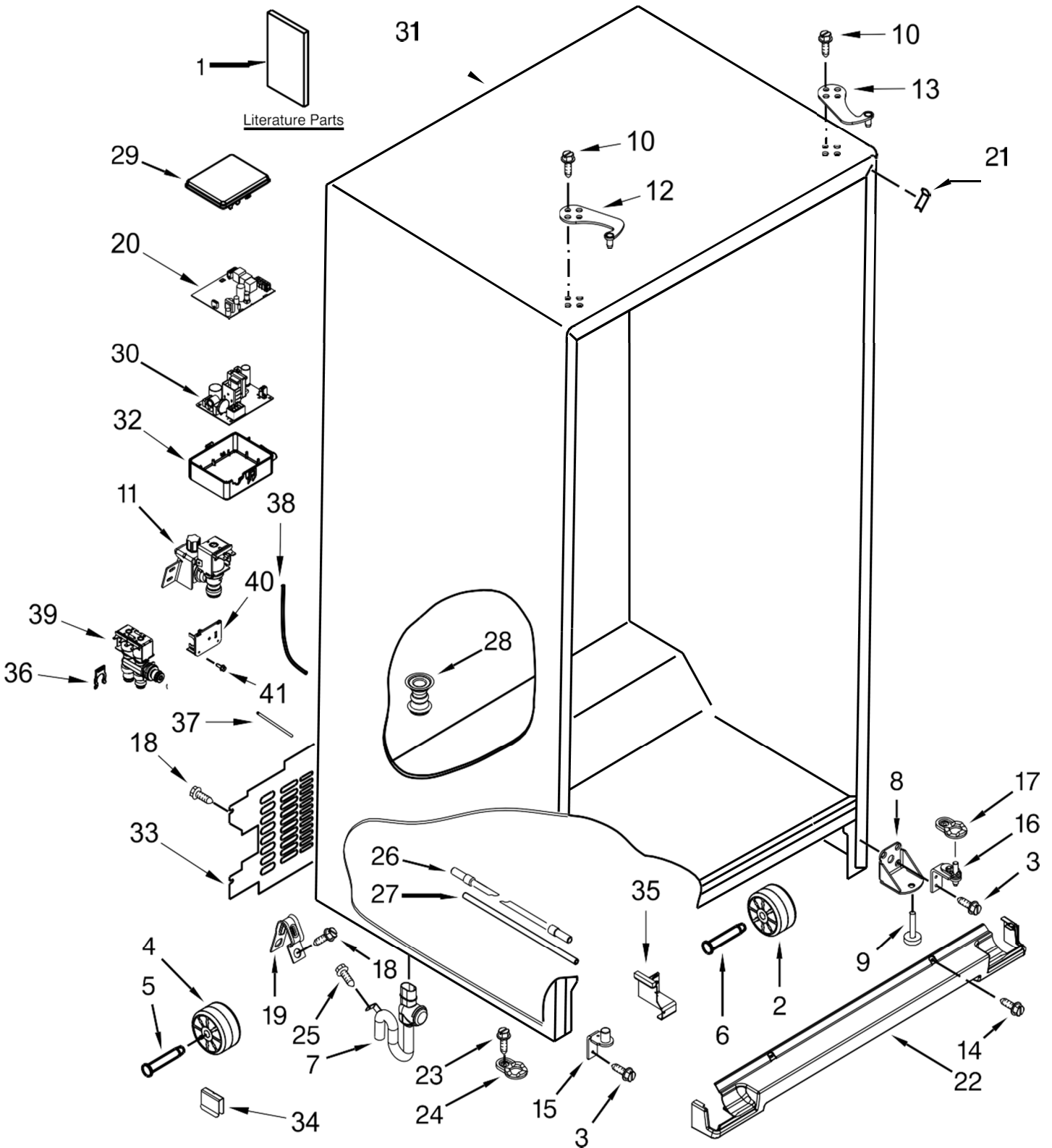


# REFRIGERADOR KRSC503EBS01



# REFRIGERADOR KRSC503EBS01

<u>Illus. No.</u>	<u>Part No.</u>	<u>Description</u>
1		Literature Parts
	W10768946	Use & Care Guide
	W10751694	Service & Wiring Sheet
	W10922025	Energy Guide
2	2150304	Roller
3	W10297485	Screw
4	12477102	Roller
5	12477202	Axle, Roller
6	981125	Rivet, Roller
7	W10369091	Tube, Drain
8	W10900758	Bracket, Foot
9	W10141622	Brake, Roller
10	W10308751	Screw (Black)
11	W10498992	Valve, Inlet
12		Hinge, Top (Freezer)
	W10901052	Black
	W10901054	Grey
13		Hinge, Top (Refrigerator)
	W10901047	Black
	W10901049	Grey
14	W10308487	Screw (Black)
	W10308489	Screw (Grey)

<u>Illus. No.</u>	<u>Part No.</u>	<u>Description</u>
15		Hinge, Bottom (Freezer)
	W11126854	Black
	W11126848	Grey
16		Hinge, Bottom (Refrigerator)
	W11084348	Black
	W11084346	Grey
17		Closer, Door (Refrigerator)
	W10877807	Black
	W10877804	Grey
18	W10141645	Screw
19	549193	Clamp, Power Cord
20	W10226427	Control, Electronic (Power Supply)
21		Filler, Wrapper
	12587703B	Black
	12587703AP	Grey
22		Grille
	W10713158	Black
	W10713153	Grey
23	W10142234	Screw
24		Closer, Door (Freezer)
	W10770895	Black
	W10770893	Grey

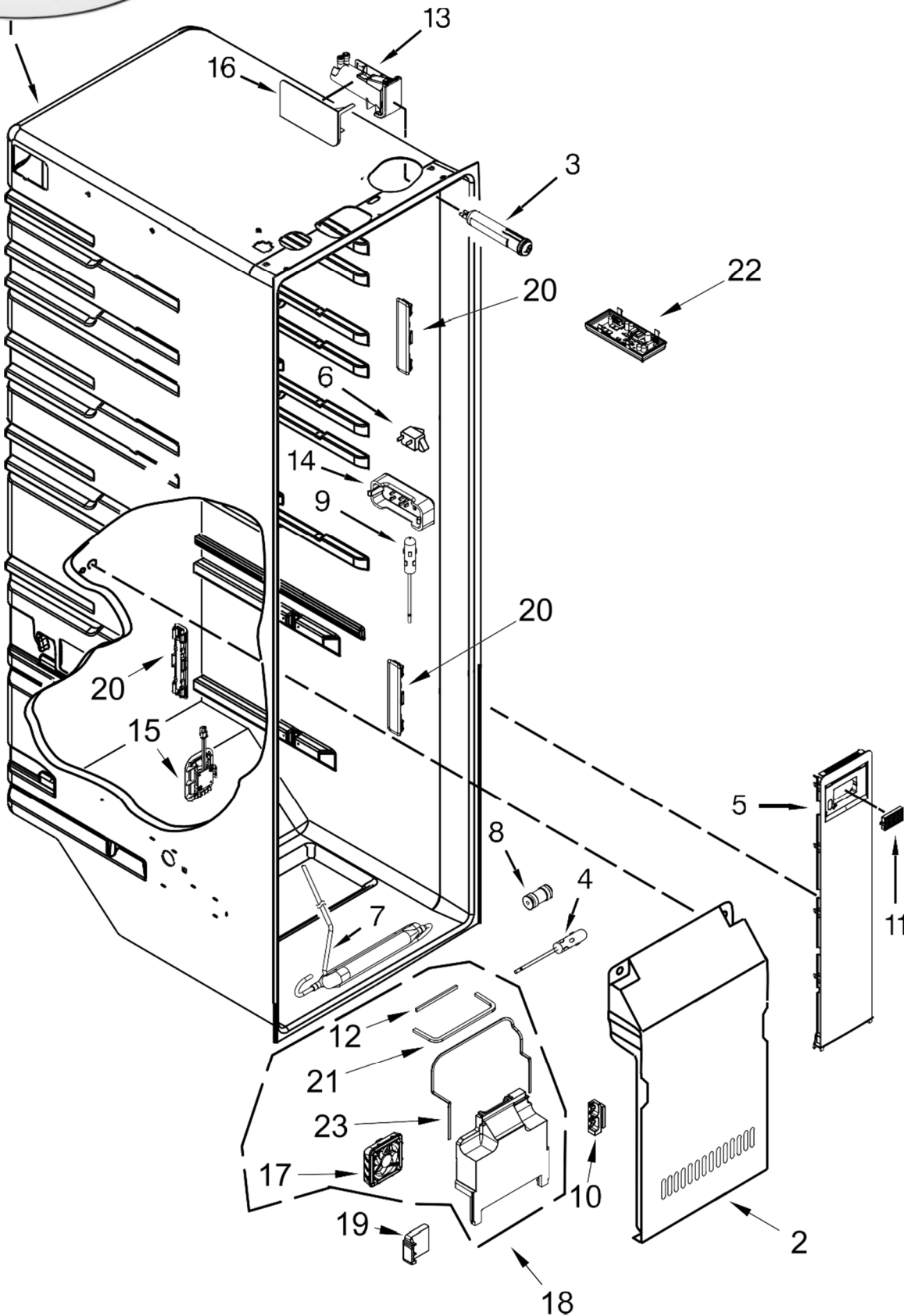
<u>Illus. No.</u>	<u>Part No.</u>	<u>Description</u>
25	W10001250	Screw
26	W10279882	Tube, Filter Inlet
27	W10279885	Tube, Filter Outlet
28	W10247979	Fitting, Drain
29	12957702	Lid, HV Box
30	W10797301	Electronic Control
31		Cabinet (Not A Serviceable Part)
32	W10247993	Box, Control
33	W10257238	Cover, Unit
34	2223388	Clip, Axle Retainer
35	W10499011	Assembly, Bracket
36	W11175632	Locking Ring (1/4)
	W11175631	Locking Ring (5/16)
37	W10811573	Tube, Insulating
38	W10691732	Tube, Water
39	W10341320	Assembly, Dual Water Valve
40	W10237915	Bracket, Water Valve
41	W10141625	Screw

Distribuidor Autorizado

SurteRápido.com

Venta de Refacciones  
Electrodomesticas

# REFRIGERADOR KRSC503EBS01





# REFRIGERADOR KRSC503EBS01

<u>Illus. No.</u>	<u>Part No.</u>	<u>Description</u>
1		Liner (Not A Serviceable Part)
2	W10387382	Cover, Evaporator
3	W10735398	Filter, Water
4	W10323459	Thermistor, Evaporator Fan
5	W10903410	Cover, Air Tower (Includes LED Lights)
6	W10847853	Switch, Light
7	W10538994	Reservoir
8	W10271543	Connector, Water Tube
9	W10280385	Thermistor

<u>Illus. No.</u>	<u>Part No.</u>	<u>Description</u>
10	W10223364	Support, Evaporator (Right Hand)
11	W10315189	Filter, Air
12	W10394945	Gasket, Rear
13	W10394053	Housing, Water Filter
14	W10425252	Cover, Thermistor
15	W10876279	Assembly, LED Light Module
16	W10300482	Cover, Water Filter
17	W10862076	Fan Assembly, Evaporator
18	W10862067	Evaporator Insulation, With Fan Assembly

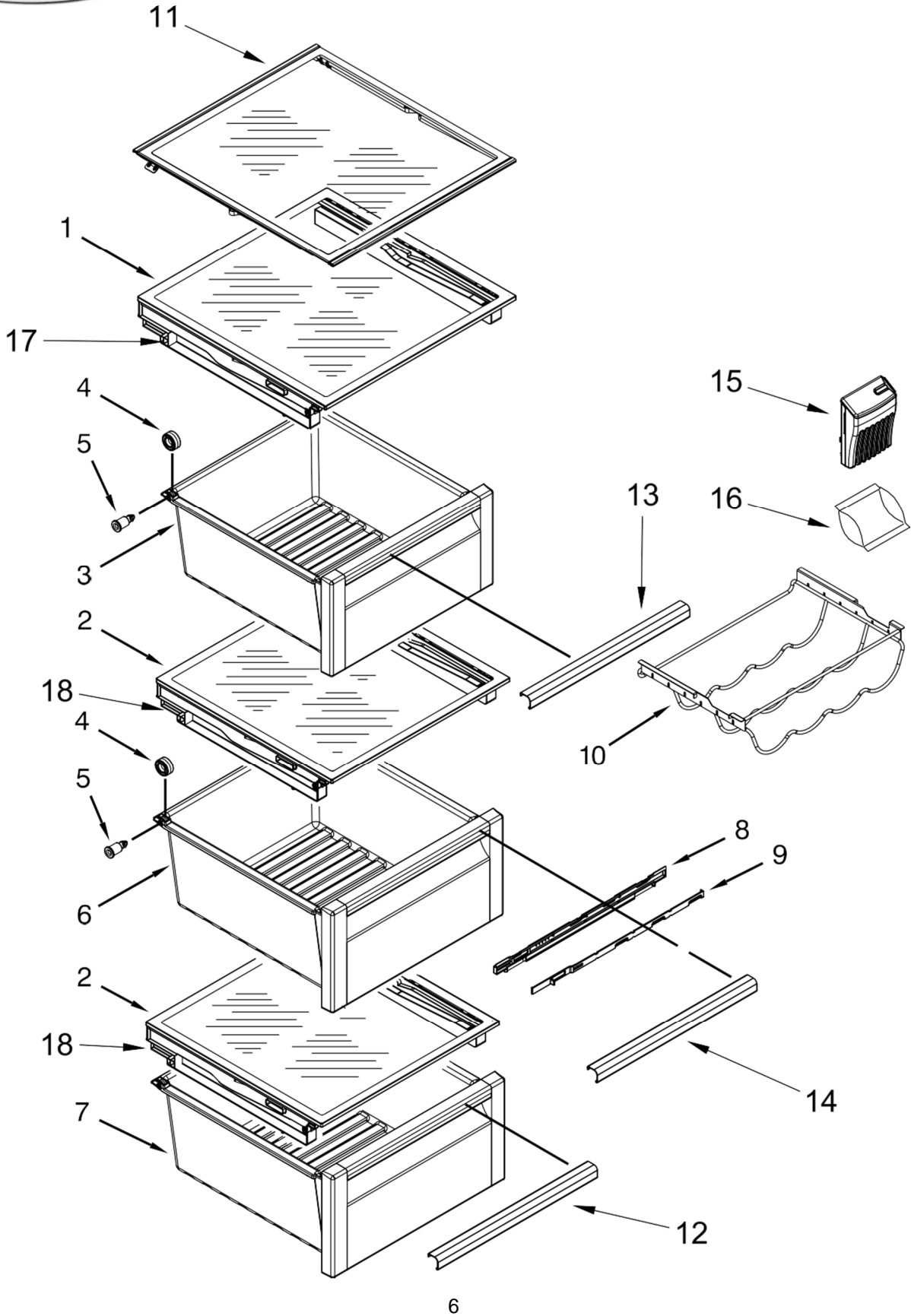
<u>Illus. No.</u>	<u>Part No.</u>	<u>Description</u>
19	W10862282	Support, Evaporator (Left Hand)
20	W10826780	Lighting, LED-Strip
21	W10387387	Gasket, Upper
22	W10724473	Assembly, LED
23	W10260462	Gasket, Rear

Distribuidor Autorizado

SurteRápido.com

Venta de Refacciones  
Electrodomesticas

# REFRIGERADOR KRSC503EBS01





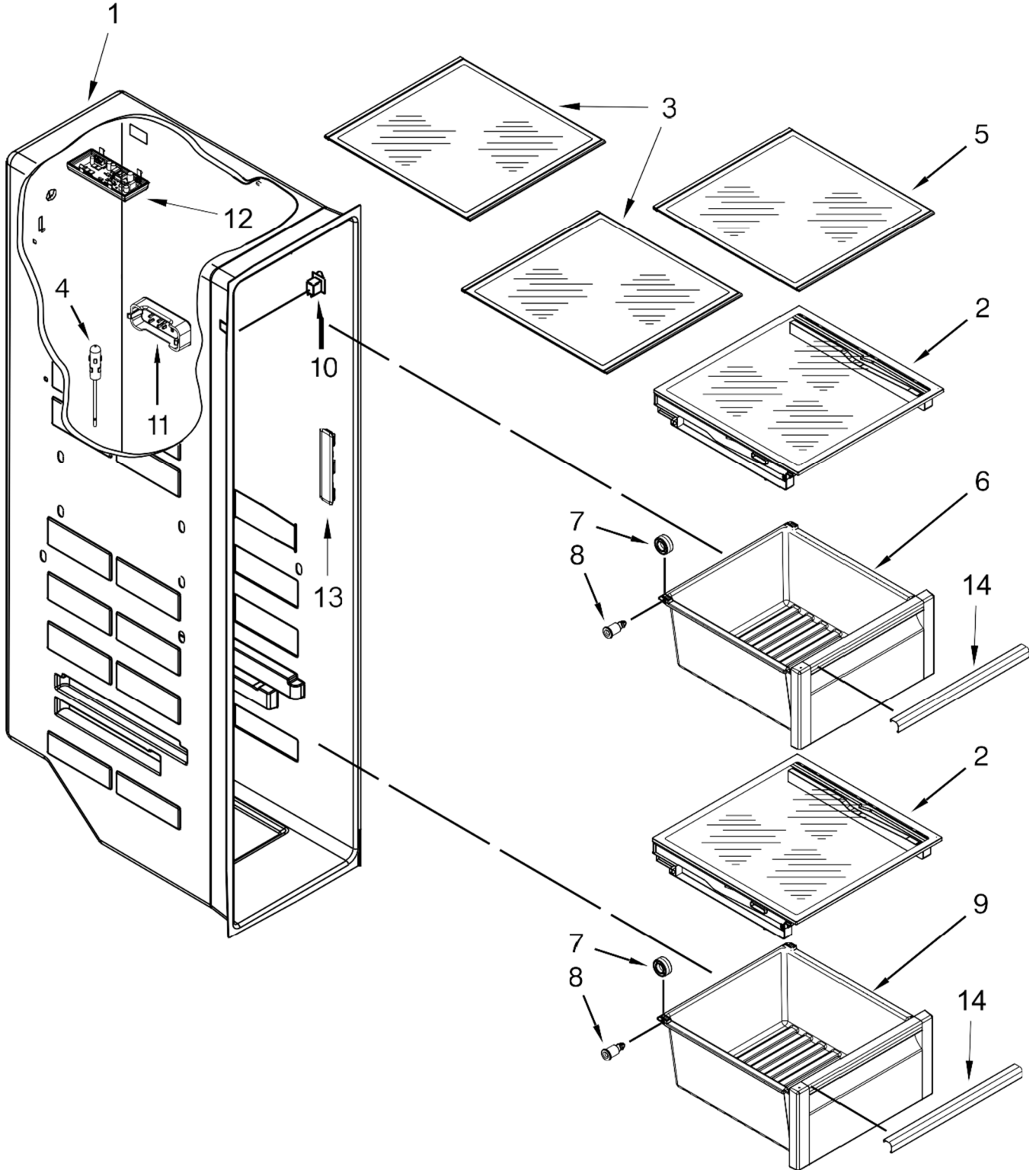
# REFRIGERADOR KRSC503EBS01

<u>Illus. No.</u>	<u>Part No.</u>	<u>Description</u>
1	W10440265	Cover, Assembly
2	W10440266	Cover, Assembly
3	W10542037	Pan, Snack
4	W10628713	Roller, Pan
5	W10628712	Axle, Roller
6	W10531081	Pan, Crisper
7	W10531082	Pan, Meat
8	W10316452	Housing, Humidity
9	W10257334	Slide, Humidity

<u>Illus. No.</u>	<u>Part No.</u>	<u>Description</u>
10	W10395554	Wine Rack
11	W11180785	Assembly, Shelf
12	W10531022	Trim, Handle
13	W10542020	Trim, Handle
14	W10531023	Trim, Handle
15	W10408747	Holder, Filter
16	W10346771	Filter, Produce Preserver

<u>Illus. No.</u>	<u>Part No.</u>	<u>Description</u>
17		Rail, Track
	W10247942	Left Side
	W10247940	Right Side
18		Rail, Track
	W10805083	Left Side
	W10805082	Right Side

# REFRIGERADOR KRSC503EBS01





# REFRIGERADOR KRSC503EBS01

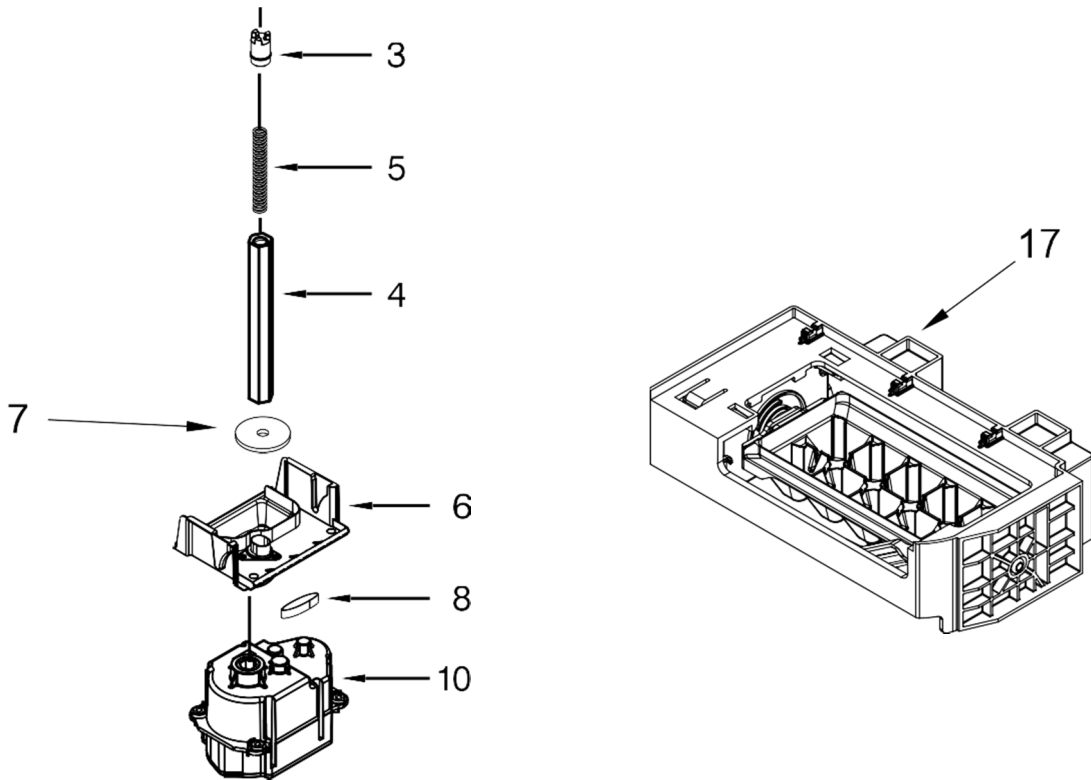
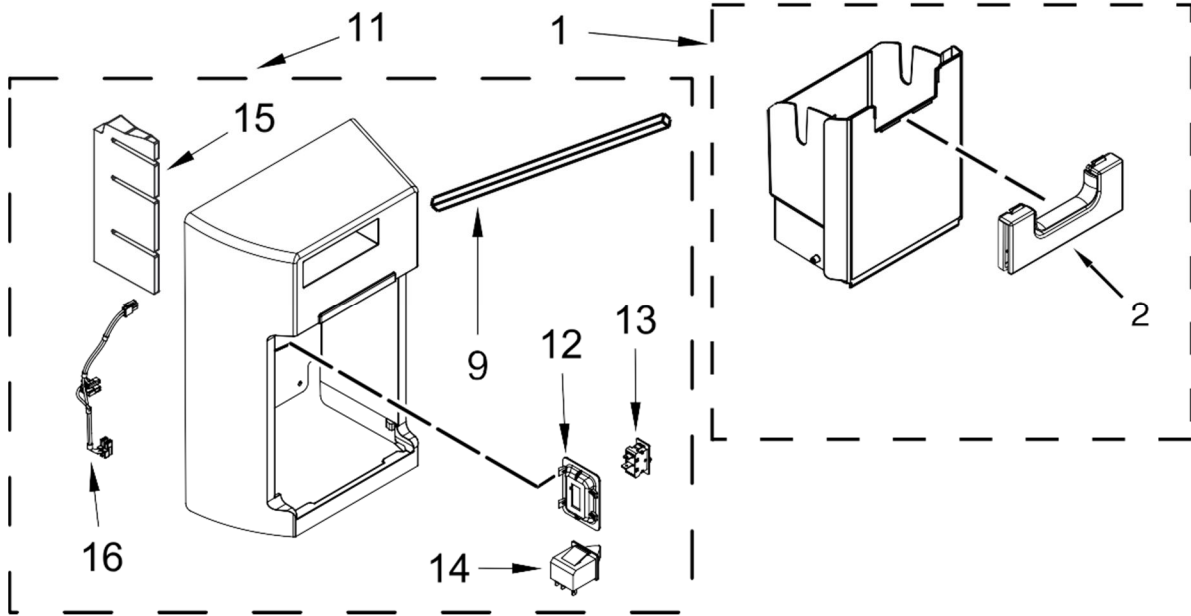
<u>Illus. No.</u>	<u>Part No.</u>	<u>Description</u>
1		Liner (Not A Serviceable Part)
2	W10362174	Assembly, Cover
3	W11180786	Shelf, Glass Upper
4	W10280386	Thermistor

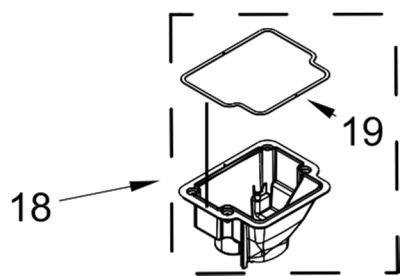
<u>Illus. No.</u>	<u>Part No.</u>	<u>Description</u>
5	W11180787	Shelf, Glass Lower
6	W10542036	Pan, Freezer Upper
7	W10628713	Roller, Pan
8	W10628712	Axle, Roller
9	W10542035	Pan, Freezer Lower

<u>Illus. No.</u>	<u>Part No.</u>	<u>Description</u>
10	W10847849	Switch, Light
11	W10425252	Cover, Thermistor
12	W10724473	Assembly, LED
13	W10826780	Lighting, LED-Strip
14	W10542018	Trim, Handle



# REFRIGERADOR KRSC503EBS01







# REFRIGERADOR KRSC503EBS01

<u>Illus. No.</u>	<u>Part No.</u>	<u>Description</u>
1	W10781441	Assembly, Ice Bin
2	W10693542	Assembly, Latch
3	2220458	Coupling, Bottom
4	W10258544	Shaft, Drive
5	W10754509	Spring, Coupling
6	W11240062	Assembly, Mounting Plate
7	2305382	Boot, Rubber
8	W10291905	Gasket
9	W10400435	Gasket, Foam

<u>Illus. No.</u>	<u>Part No.</u>	<u>Description</u>
10	W11117906	Motor, Dispenser
11	W10669473	Cover, Container
12	W10691248	Plate, Switch
13	W10666871	Rocker, Switch
14	W11032814	Switch, Rocker Arm
15	W10749467	Filler, EPS Icemaker Cover
16	W10646076	Assembly, Wire Jumper Switch
17	W11130444	Assembly, Ice Maker

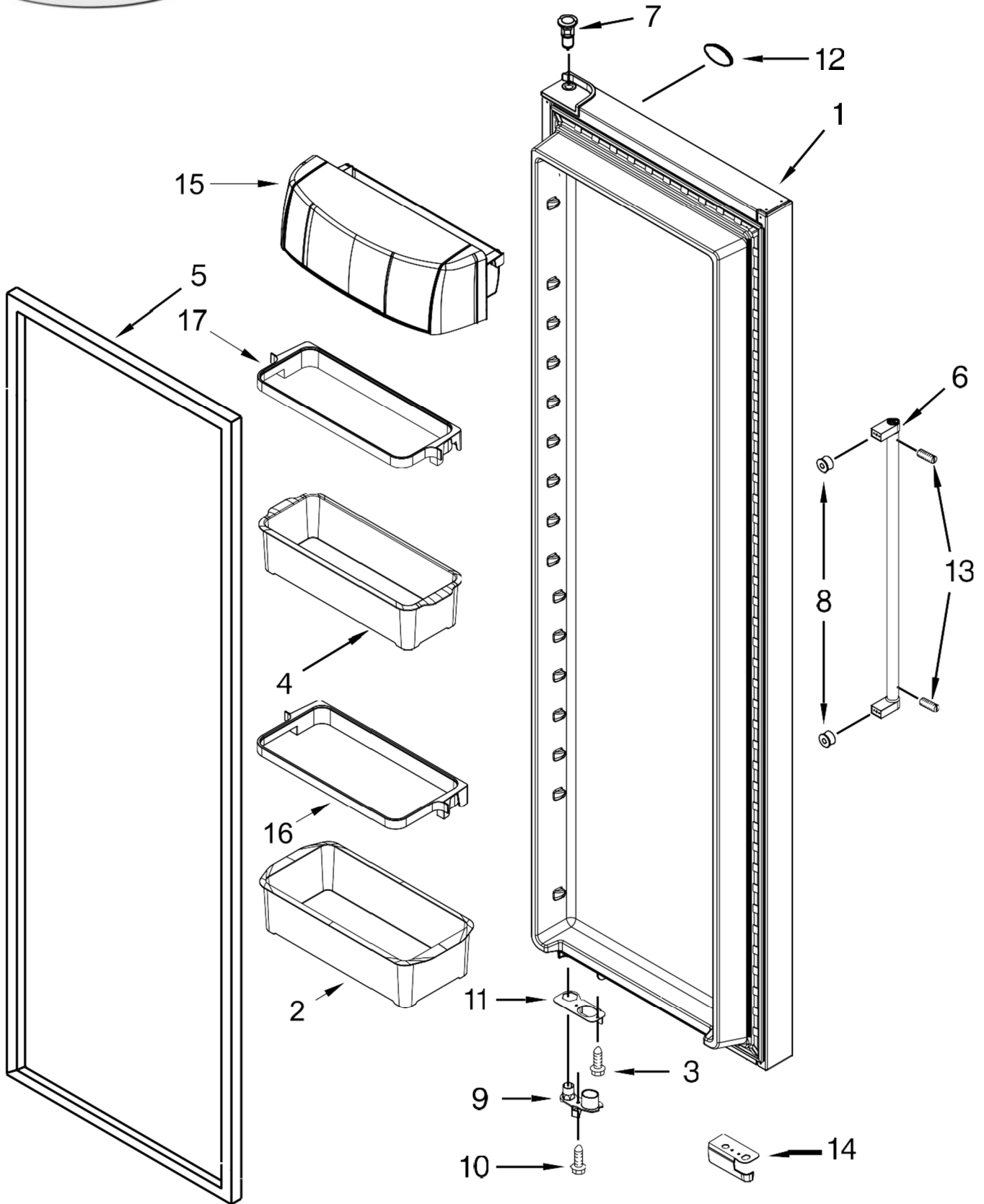
<u>Illus. No.</u>	<u>Part No.</u>	<u>Description</u>
18	W10765378	Assembly, Motor Box
19	W10166854	Gasket

Distribuidor Autorizado

SurteRápido.com

Venta de Refacciones  
Electrodomesticas

# REFRIGERADOR KRSC503EBS01





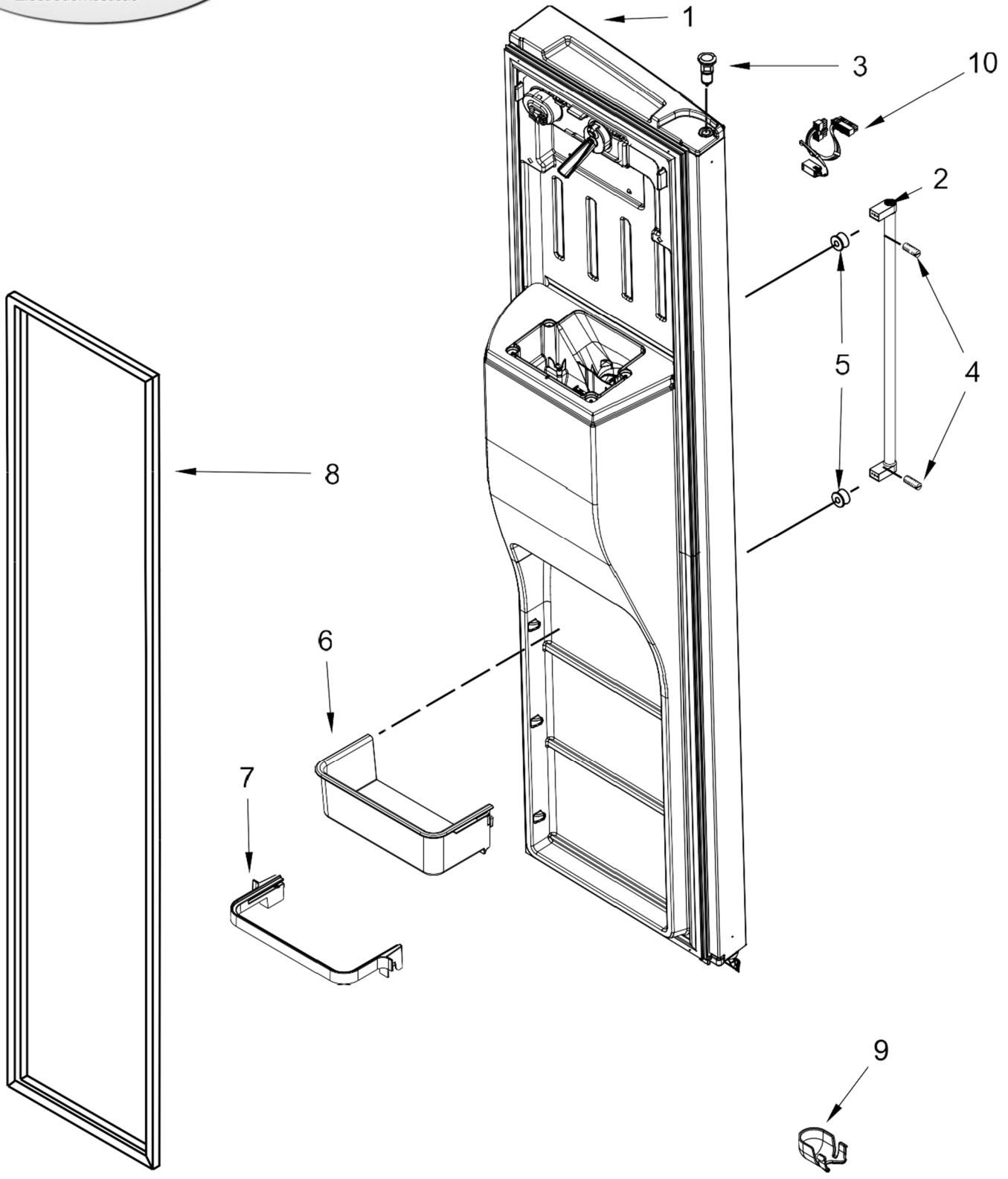
# REFRIGERADOR KRSC503EBS01

<u>Illus. No.</u>	<u>Part No.</u>	<u>Description</u>
1		Door, Refrigerator (Includes Item 5)
	W10864694	Black Stainless
	W10771436	Stainless
2	W10316457	Bin, Gallon Door
3	W10296816	Screw
4	W10316461	Bin, Shallow Door
5		Gasket, Door
	W10249914	Black
	W10249918	Grey
6		Handle
	W11252159	Stainless

<u>Illus. No.</u>	<u>Part No.</u>	<u>Description</u>
7	2200086	Thimble, Top
8	W10460893	Screw
9		Closer, Upper Cam Door
	W10257201	Black
10	W10296804	Screw
11	W10888898	Bracket, Door Stop
12	W10518672	Badge
13	W10010140	Set Screw (Silver)
14		Cover, Door Stop
	W10789145	Black

<u>Illus. No.</u>	<u>Part No.</u>	<u>Description</u>
15	W10324760	Assembly, Utility Compartment
16	W10494334	Frame, Gallon Door Bin
17	W10494333	Frame, Shallow Door Bin

# REFRIGERADOR KRSC503EBS01





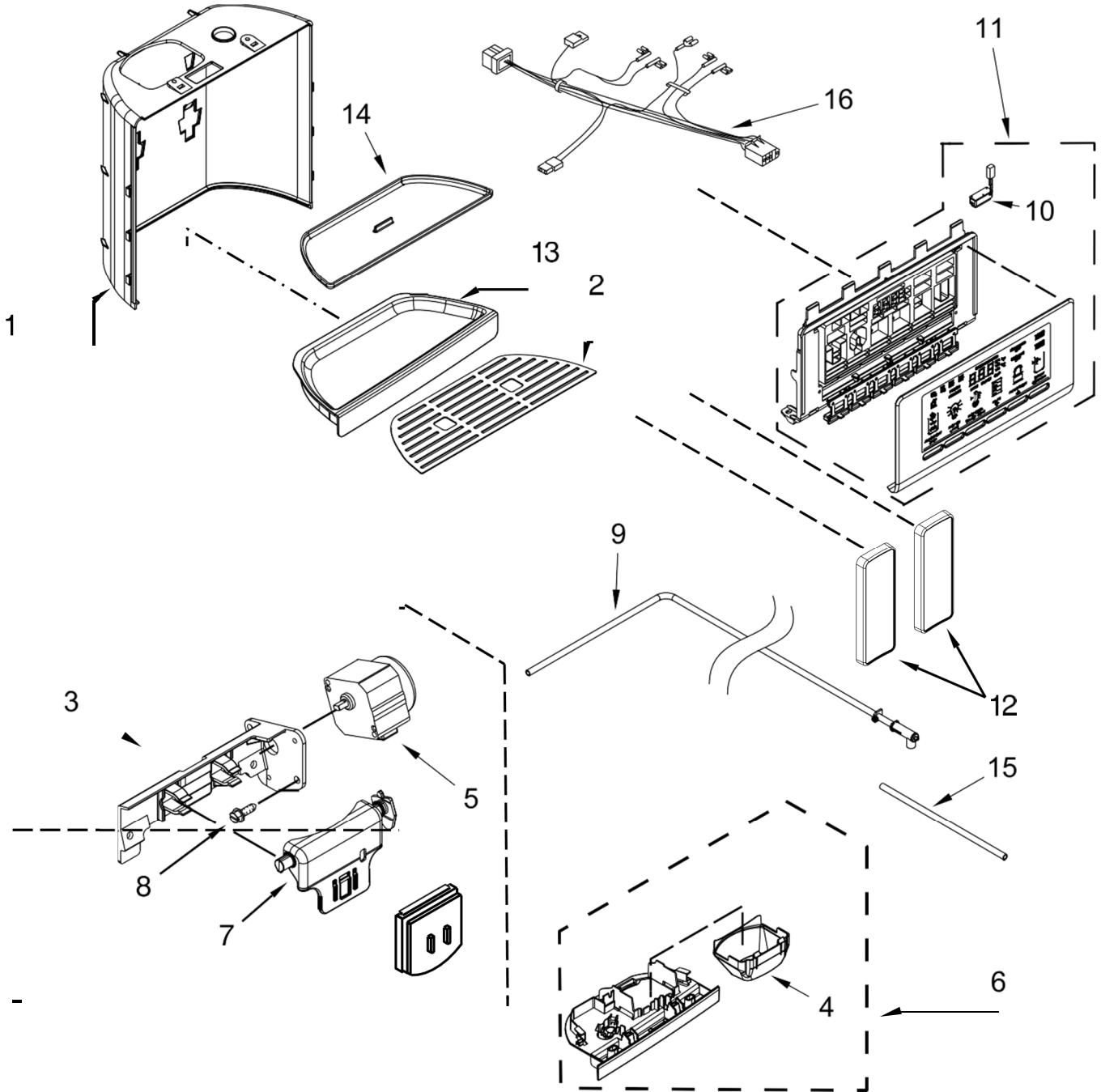
# REFRIGERADOR KRSC503EBS01

<u>Illus. No.</u>	<u>Part No.</u>	<u>Description</u>
1		Door, Freezer (Includes Item 8 And Dispenser Front Parts)
	W10864696	Black Stainless
	W10728959	Stainless
2		Handle
	W11252159	Stainless

<u>Illus. No.</u>	<u>Part No.</u>	<u>Description</u>
3	2200086	Thimble, Top
4	W10010140	Set Screw (Silver)
5	W10460893	Screw
6	W10434529	Bin, Door
7	W10494336	Frame, Door Bin

<u>Illus. No.</u>	<u>Part No.</u>	<u>Description</u>
8		Gasket, Door
	W10249915	Black
	W10249919	Grey
9	W10323148	Cover, Wire
10	W10850872	Wire, Jumper

# REFRIGERADOR KRSC503EBS01







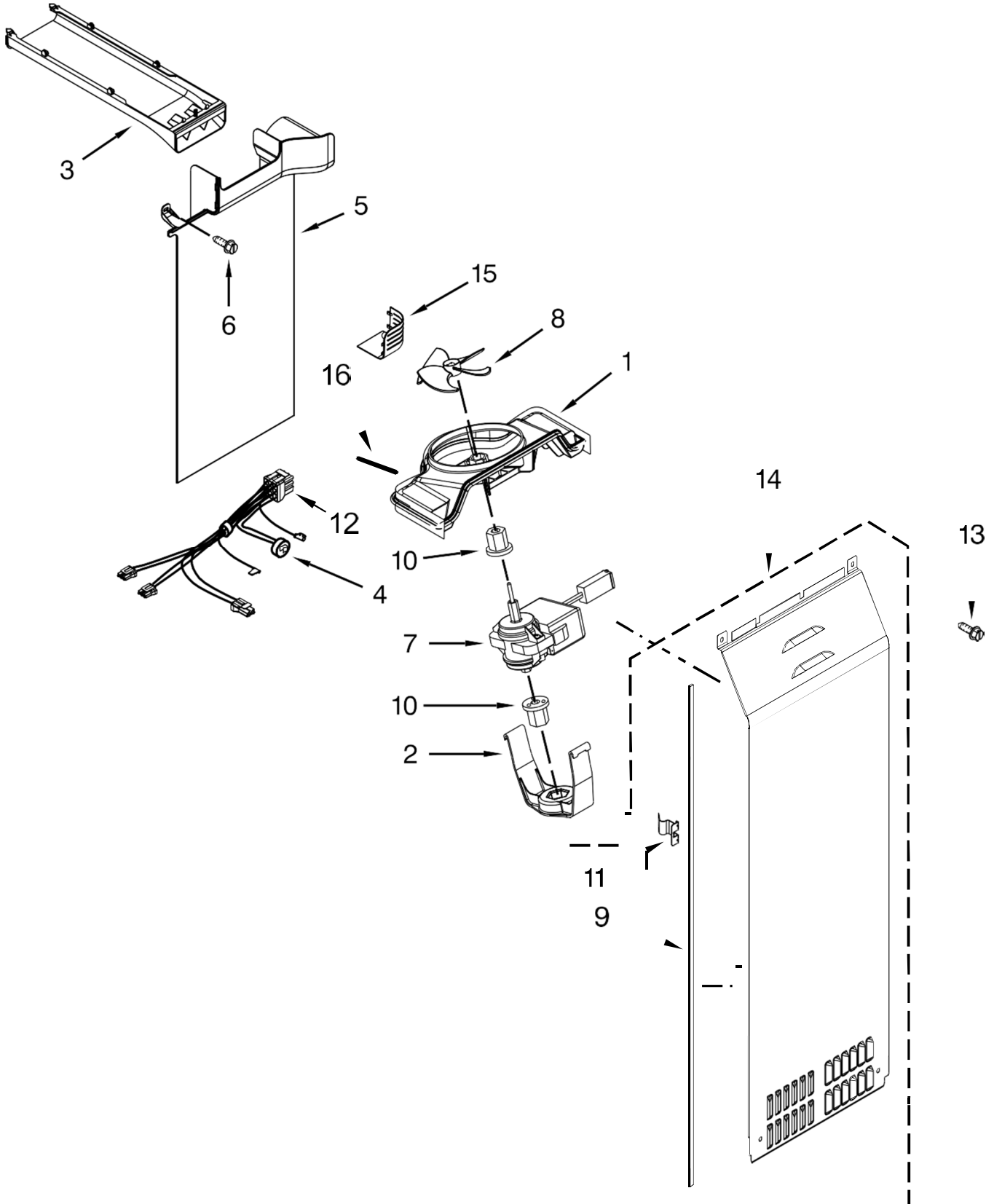
# REFRIGERADOR KRSC503EBS01

<u>Illus. No.</u>	<u>Part No.</u>	<u>Description</u>
1		Wall, Dispenser False
	W10317259	Black
	W10317255	Stainless
2	W10317270	Grate, Drip Tray
3	W10781990	Assembly, Ice Door
4	W10435760	Guide, Ice
5	W10205978	Motor, Dispenser
6	W10353593	Assembly, Seperator
7	W10346124	Support, Ice Door

<u>Illus. No.</u>	<u>Part No.</u>	<u>Description</u>
8	4449745	Screw
9	W10386774	Assembly, Spigot
10	W10238083	Assembly, LED
11	W11129551	User Interface Assembly (Includes Light Feature)
12		Pad, Ice and Water
	W10317253	Black
	W10346924	Grey

<u>Illus. No.</u>	<u>Part No.</u>	<u>Description</u>
13		Tray, Housing
	W10317265	Black
	W10317261	Stainless
14		Drip Tray, Insert
	W10317275	Black
	W10317276	Grey
15	W10691730	Tube, Water
16	W10605343	Harness, Wire

# REFRIGERADOR KRSC503EBS01





# REFRIGERADOR KRSC503EBS01

**Illus.**  
**No.**    **Part No.**    **Description**

- 1    W10251462    Scroll, Fan
- 2    2223733    Retainer, Fan Motor
- 3    W10897511    Duct, Upper Air
- 4                       Bi-Metal Defrost (Not Serviced)
- 5    W10382902    Duct, Freezer Air
- 6    W10001260    Screw
- 7    W10556724    Motor, Fan

**Illus.**  
**No.**    **Part No.**    **Description**

- 8    2169142    Blade, Fan
- 9    W10240370    Gasket, Evaporator Cover
- 10    W10449920    Grommet, Motor
- 11    W10369602    Clip, Evaporator Cover
- 12    W10679946    Assembly, Evaporator Fan Wire (Includes Bi-Metal Defrost)
- 13    W10142292    Screw

**Illus.**  
**No.**    **Part No.**    **Description**

- 14    W10388269    Cover, Evaporator
- 15    W10260382    Cover, Light
- 16    W11205489    Foam





# REFRIGERADOR KRSC503EBS01

<u>Illus.</u> <u>No.</u>	<u>Part No.</u>	<u>Description</u>	<u>Illus.</u> <u>No.</u>	<u>Part No.</u>	<u>Description</u>	<u>Illus.</u> <u>No.</u>	<u>Part No.</u>	<u>Description</u>
1	W10868747	Coil, 3 Way Valve	15	2205813	Tie, Wire	29	2183042	Grommet
2	2225834	Blade, Fan	16	W10239732	Evaporator	30	W11034126	Assembly, 3 Way Valve
3	W10240365	Assembly, Condenser	17	2161324	Clip, Defrost Heater	31	W10643261	Evaporator, Dual-RC
4	W10142255	Screw	18	W10909387	Motor, Condenser Fan	32	W10317862	Pan, Drip
5	W10862105	Tube, Drain	19	W10714793	Tray, Evaporator (Includes Gasket)	33	2169104	Insulation, Sound Deadening
6	W10171469	Screw	20	W10376319	Heat Shield			REFRIGERANT CHARGE
7	W10277958	Connector, Water	21	W10286069	Drier			5.75 oz. (R-134A)
8	W10303521	Sleeve	22	W10679948	Assembly, Unit Wire			
9	W10142287	Screw	23	W10680691	Baseplate			
10	W10815861	Clip, Bottom Cover	24	W10242407	Cord, Power			
11	W10223328	Tube, Suction	25	W10251467	Baffle, Air			
12	W10248621	Clip, Condenser	26	W10495968	Heater, Defrost			
13	W10710090	Assembly, Inverter Box	27	W10284726	Cover, Unit Bottom			
14	2325479	Tube, Process	28	W10695094	Compressor			

# OPTIONAL PARTS (NOT INCLUDED)

## PAINT, PRESSURIZED SPRAY (12 OZ.)

<u>Illus. No.</u>	<u>Part No.</u>	<u>Description</u>
	350942	White Primer
	350939	Enamel, Black
	350930	White
	4392901	Biscuit/Bisque
	8171357	Graphite

## PAINT, TOUCH-UP (1/2OZ.)

<u>Illus. No.</u>	<u>Part No.</u>	<u>Description</u>
	72017	White
	72032	Black
	4392899	Biscuit/Bisque
	80051	Graphite

## PAINT, BULK (1 QT.)

<u>Illus. No.</u>	<u>Part No.</u>	<u>Description</u>
	799344	White (Uncut)
	4392900	Biscuit/Bisque
	8171358	Graphite

## MISCELLANEOUS

<u>Illus. No.</u>	<u>Part No.</u>	<u>Description</u>
	W10300794	Kit, Handle Installation
	212643	Sealer, Gum (4 Feet)
	479502	Tape, Vinyl (3/4 x 108")
	505587	Sealer, Mastic (1 Qt)
	503695	Cork, Sealer
	542638	Grease, Silicone (1/2 Oz.)
	542639	Cement, Alumilastic (1 1/4 Oz.)
	833938	Kit, Terminal Connector
	4318168	Sealer
	8003RP	Kit, Water Inlet

## TORX SCREW WRENCH

<u>Illus. No.</u>	<u>Part No.</u>	<u>Description</u>
	1117510	Torx Key