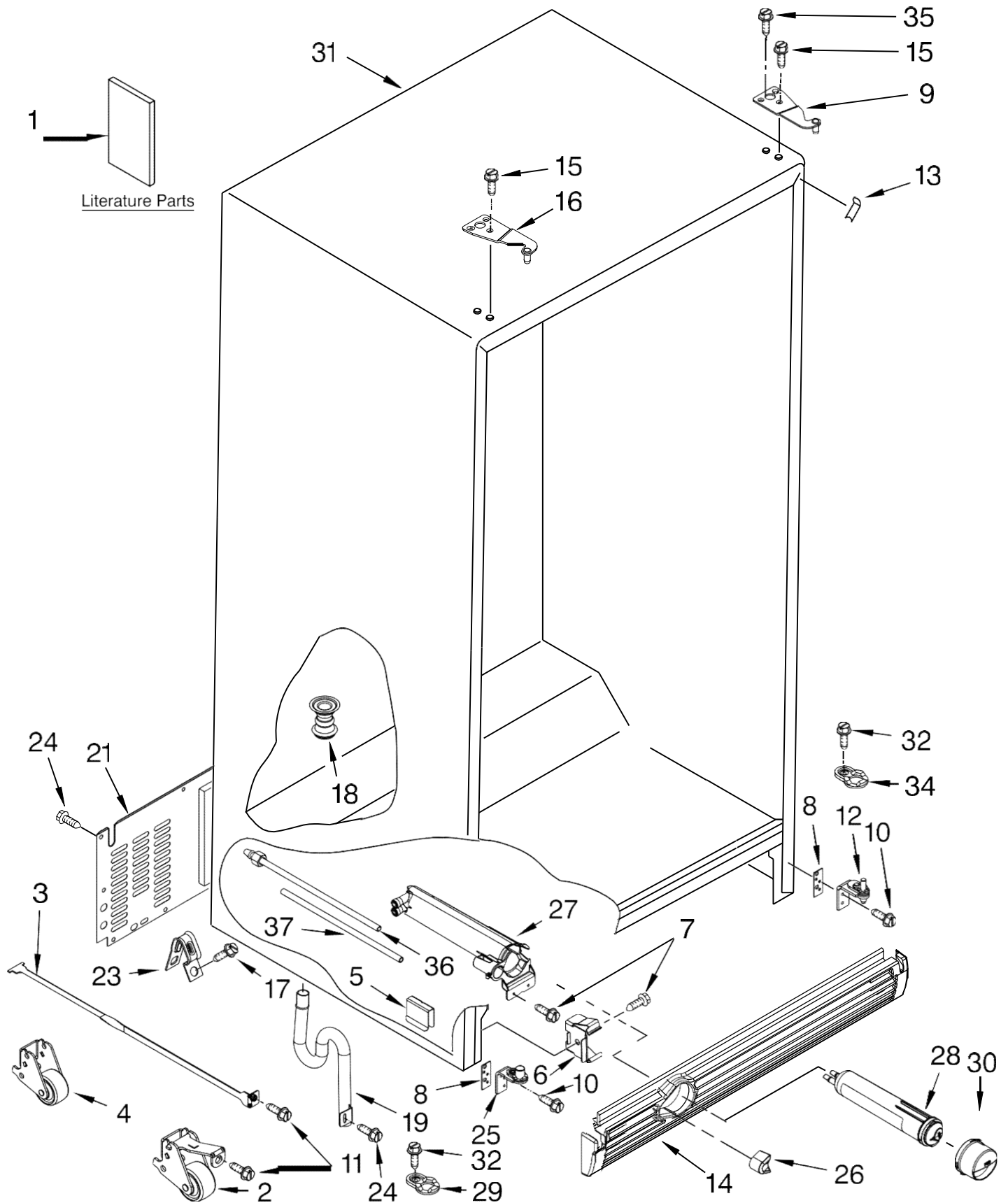


REFRIGERADOR KSCS25FV



FOR ORDERING INFORMATION REFER TO PARTS PRICE LIST

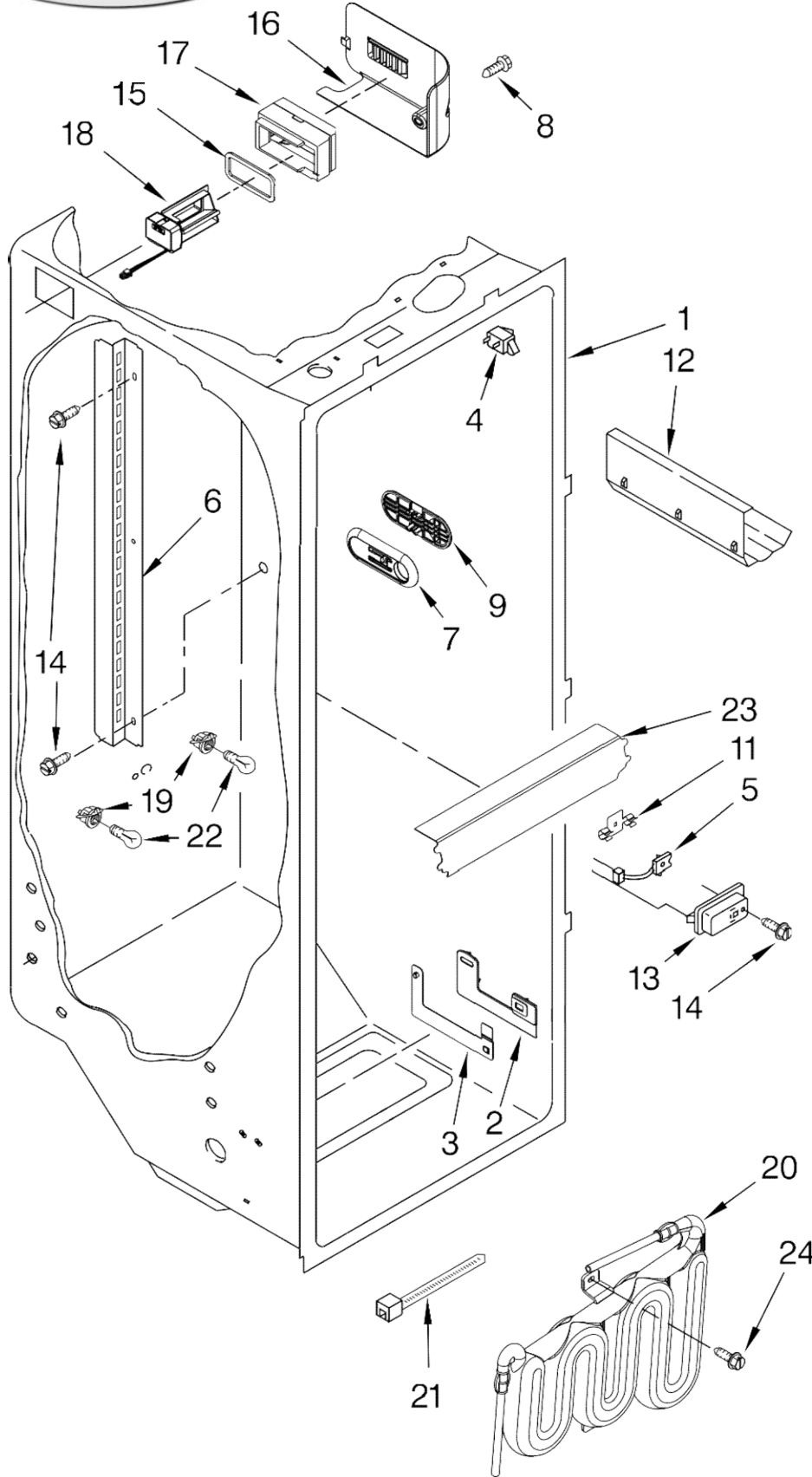
REFRIGERADOR KSCS25FV

Illus. No.	Part No.	DESCRIPTION
1		Literature Parts
	W10162436	Use & Care Guide
	W10152832	Service & Wiring Sheet
	2318510	Installation Instructions
	W10194146	Energy Guide
	2220407	Modular Icemaker Service Sheet
2		Front Roller Asm
	W10199222	Left Side
	W10199223	Right Side
3	W10199260	Strap, Roller
4	W10173132	Roller, Rear (2)
5	2223388	Clip, Retainer (4)
6	2155013	Clip, Grille
7	489478	Screw
8	2223545	Shim
9		Hinge Top, RC
	2307008W	White
	2307008T	Biscuit
	2307008B	Black
	2307008AP	Apollo Gray
10	W10142234	Screw
11	W10151272	Screw

Illus. No.	Part No.	DESCRIPTION
12	2307179	Hinge Assembly, Bottom-RC (Includes #34)
13		Filler, Wrapper
	2223893W	White
	2223893T	Biscuit
	2223893B	Black
	2223893AP	Apollo Gray
14		Grille
	W10194047	White
	W10194058	Biscuit
	W10194057	Black
	W10194061	Midnight Grey
15	3400108	Screw
16		Hinge, Top FC
	2307007W	White
	2307007T	Biscuit
	2307007B	Black
	2307007AP	Apollo Gray
17	489464	Screw
18	2304888	Drain Fitting
19	2254566	Tube, Extension
21	2223409	Cover, Unit
23	549193	Clamp, Service Cord

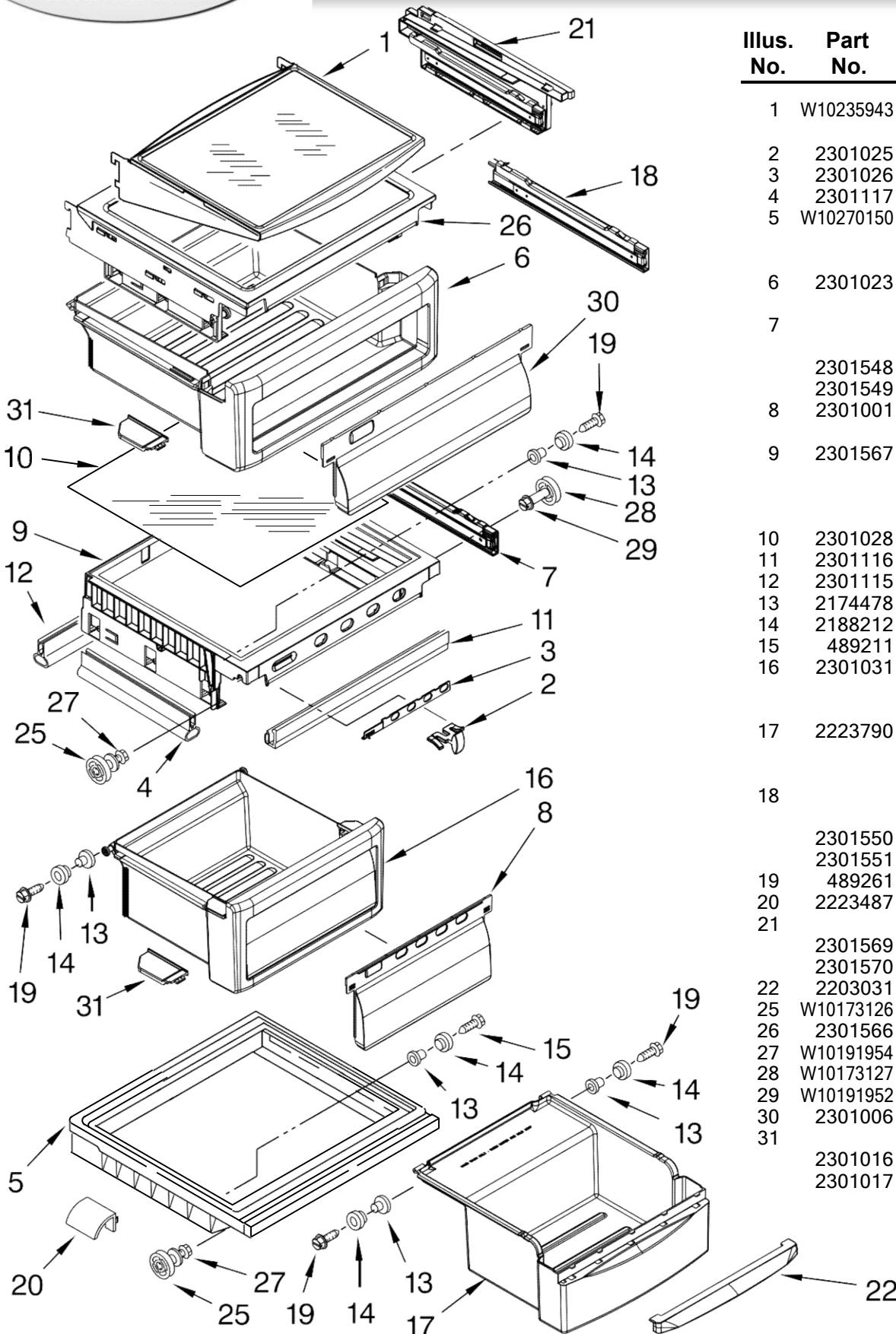
Illus. No.	Part No.	DESCRIPTION
24	W10151272	Screw
25	2307152	Hinge Assembly, Bottom-FC
26		Button, Water Filter
	2260503W	White
	2260503T	Biscuit
	2260503B	Black
	2260503MG	Midnight Grey
27	W10121140	Housing, Water Filter
28	4396841	Water Filter
29	2307051	Door Closer, FC
30		Cap, Water Filter
	2260502W	White
	2260502T	Biscuit
	2260502B	Black
	2260518MG	Midnight Grey
31		Cabinet (Not A Serviceable Part)
32	489483	Screw
34	W10142288	Door Closer, RC
35	3400858	Screw
36	2224020	Tube, Filter Outlet
37	W10281289	Tube, Filter Inlet

REFRIGERADOR KSCS25FV



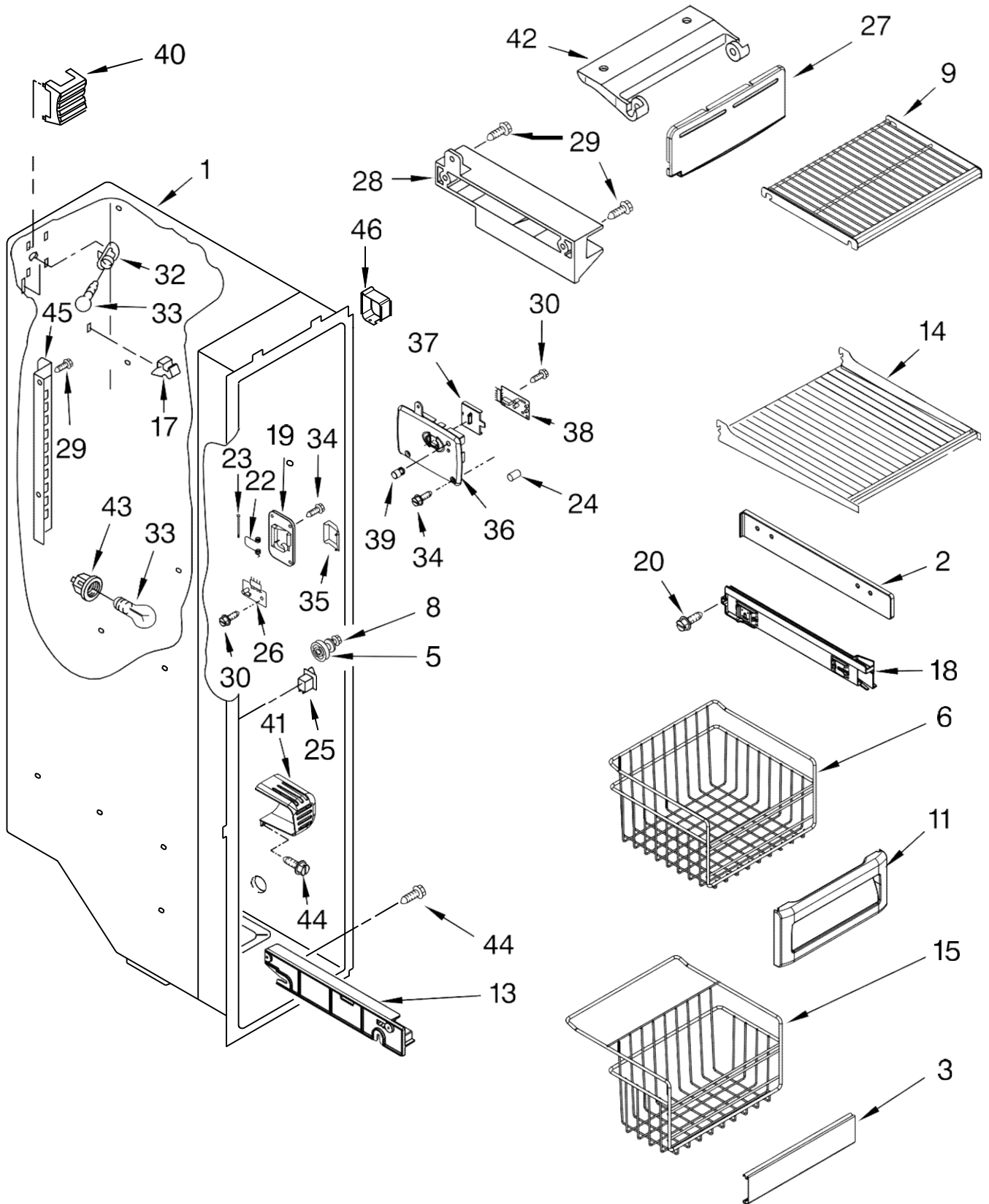
Illus. No.	Part No.	DESCRIPTION
1		Liner (Not A Serviceable Part)
2	2223524	Escutcheon, Meat Pan Control
3	2223339	Slide, Meat Pan Control
4	1118894	Switch, Rocker Arm
5	2188820	Thermistor
6	2223456	Ladder, Shelf (2)
7	2301234	Housing, Door Control
8	489084	Screw
9	2301235	Slide, Door Control
11	2209204	Clip, Thermistor
12	2179375	Rack, Wine & Egg
13	1116793	Cover, Thermistor
14	489478	Screw
15	2304597	Gasket, Air Baffle
16	2223403	Cover, Air Baffle
17	2224076	Air Diffuser Assembly
18	2220377	Air Baffle
19	2162085	Socket
20	2307107	Reservoir
21	2205813	Strap
22	W10311505	Light Bulb
23	2223663	Light Lens
24	488649	Screw

REFRIGERADOR KSCS25FV



Illus. No.	Part No.	DESCRIPTION
1	W10235943	Shelf Assembly, Cantilever (3)
2	2301025	Button, Humidity
3	2301026	Slide, Humidity
4	2301117	Gasket, Side (2)
5	W10270150	Cover, Meat Pan (Includes Items 13, 14, 15 & 20)
6	2301023	Snack Pan (Includes 30 & 31)
7		Glide Assembly, Crisper Pan
	2301548	Right Side
	2301549	Left Side
8	2301001	Window, Crisper Pan
9	2301567	Cover, Crisper (Includes 2, 3, 4, 11, 12, 13, 14 & 19)
10	2301028	Glass, Cover
11	2301116	Gasket (Front)
12	2301115	Gasket (Rear)
13	2174478	Eyelet, Roller
14	2188212	Roller
15	489211	Screw
16	2301031	Crisper Pan (Includes 13, 14, 19 & 31)
17	2223790	Meat Pan (Includes 13, 14, 19 & 22)
18		Glide Assembly, Snack Pan
	2301550	Right Side
	2301551	Left Side
19	489261	Screw
20	2223487	Deflector
21		Support Assembly
	2301569	Right Side
	2301570	Left Side
22	2203031	Handle
25	W10173126	Stud Assembly
26	2301566	Shelf, Snack Pan
27	W10191954	Screw
28	W10173127	Stud Assembly
29	W10191952	Screw
30	2301006	Window, Snack Pan
31		Cap, Snack Pan
	2301016	Right Side
	2301017	Left Side

REFRIGERADOR KSCS25FV



FOR ORDERING INFORMATION REFER TO PARTS PRICE LIST

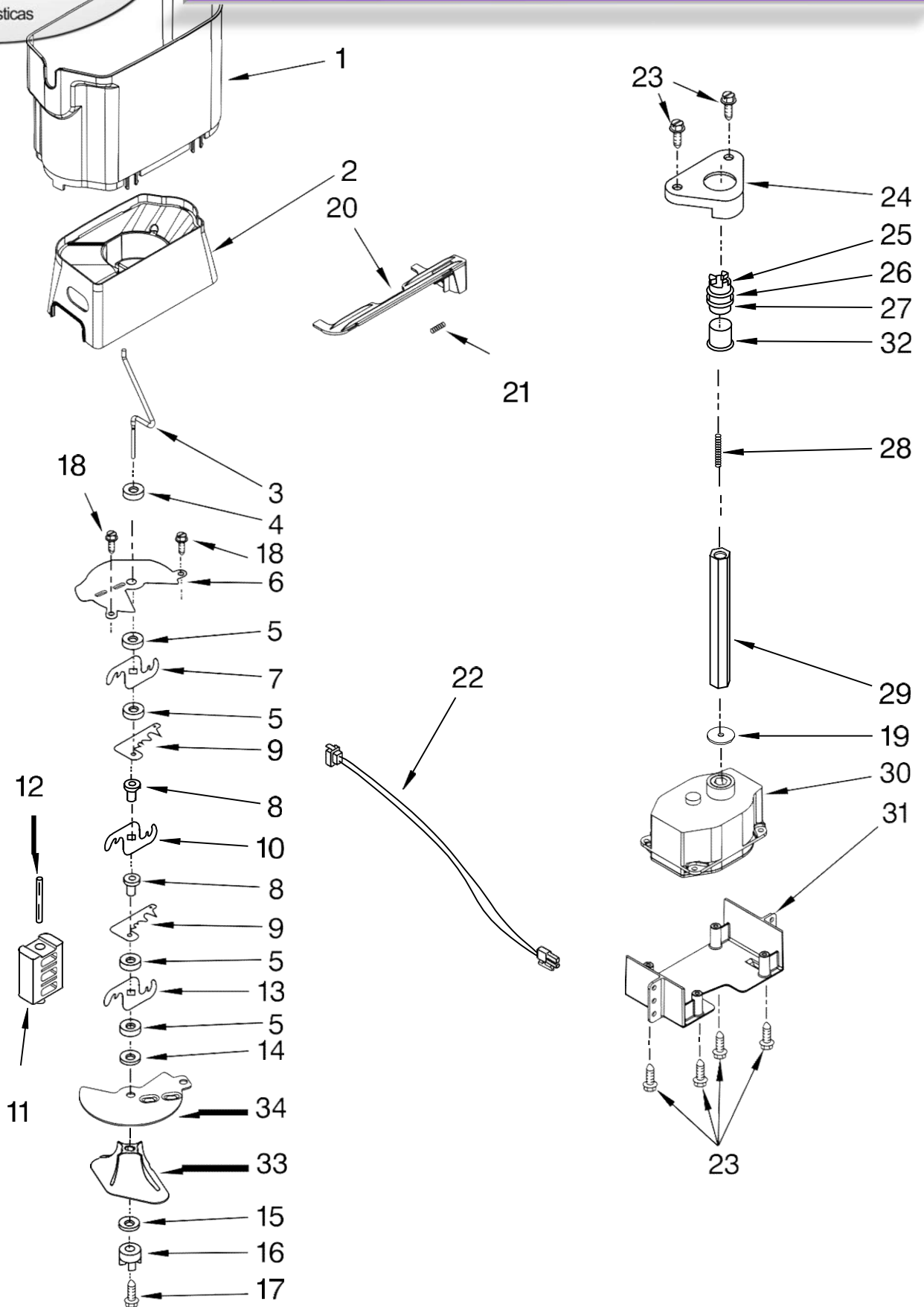
REFRIGERADOR KSCS25FV

Illus. No.	Part No.	DESCRIPTION
1		Liner (Not A Seviceable Part)
2	2223777	Spacer, Slide (2)
3	2224053	Basket, Front
5	W10173127	Stud Assembly
6	2223691	Basket, Deep (2) (Includes #11)
8	W10191952	Screw
9	2223500	Shelf Assembly, Cantilever (2)
11	2224053	Front, Basket
13		Shelf Track
	2223787	Right Side
	2223788	Left Side
14	2223681	Shelf, Fixed
15	2223694	Basket, Lower (Includes #3)
17	2315163	Clip, Air Duct

Illus. No.	Part No.	DESCRIPTION
18		Glide Assembly, Basket (2)
	2301544	Right Side
	2301545	Left Side
19	2259487	Cover, Emitter
20	W10154233	Screw
22	2198635	Spring
23	2198634	Pin
24	2198665	Tube, P.C. Board
25	1115373	Switch, Rocker Arm
26	W10193840	P.C. Board
		Emitter
27	W10185438	Cover, Ice Maker
28		Slide, Ice Maker
		Mounting
	2212321	Right Side
	2306900	Left Side
29	489478	Screw
30	489214	Screw

Illus. No.	Part No.	DESCRIPTION
32	2162085	Light Socket
33	W10311505	Light Bulb
34	8281185	Screw
35	2198633	Flipper
36	W10173569	Cover, Receiver
37	2315398	Slide, Ice Maker
		Shut Off
38	W10290817	P.C. Board, Receiver
39	2198643	Lens
40	2198589	Light Shield
41	2212340	Light Lens
42	2198641	Bracket, Ice Maker
		Cover
43	2155597	Socket, Light
44	W10004810	Screw
45		Ladder
	2223414	Left Side
	2223415	Right Side
46	2303378	Shield, Wiring

REFRIGERADOR KSCS25FV



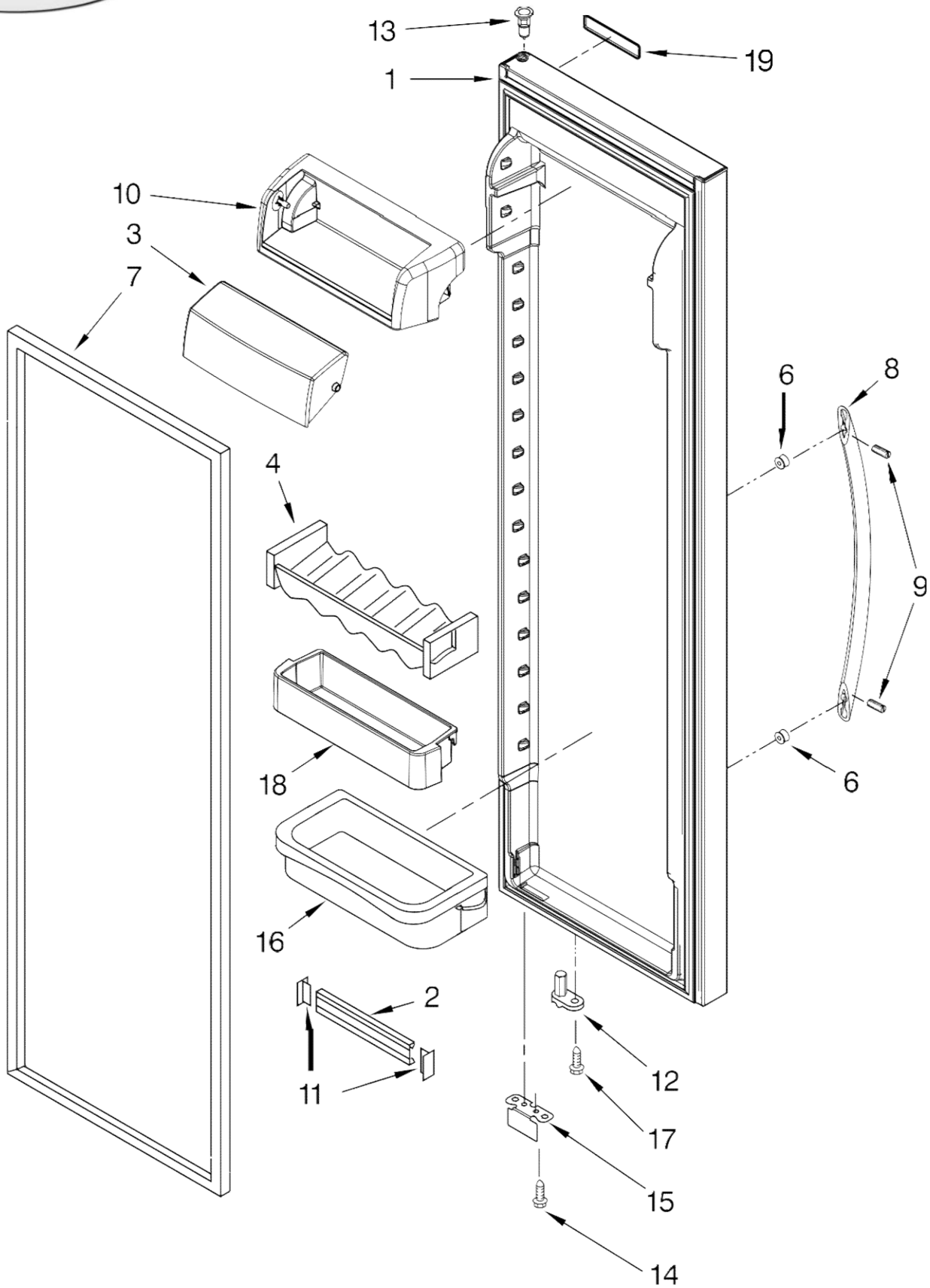
FOR ORDERING INFORMATION REFER TO PARTS PRICE LIST



REFRIGERADOR KSCS25FV

Illus. No.	Part No.	DESCRIPTION
1	W10139482	Ice Bin
2	W10140686	Crusher Bin
3	W10140642	Auger
4	2258220	Washer
5	1119007	Spacer, Flat (4)
6	W10139321	Cover, Crusher
7	W10278733	Blade, Rotary
8	1119005	Spacer, Step (2)
9	2257020	Blade, Fixed
10	W10278732	Blade, Rotary
11	2317239	Block, Blade
12	489229	Roll Pin
13	W10278731	Blade, Rotary
14	489235	Washer, Plain
15	2198661	Washer, Coupling
16	2220457	Coupling
17	8281164	Screw
18	3400065	Screw
19	2305382	Rubber Boot
20	W10140685	Latch, Bin
21	2198608	Spring, Latch
22	2187813	Wire Harness, IDI Motor
23	8281163	Screw
24	2212369	Holder
25	2220458	Coupling, Bottom
26	2198628	Seal
27	2212370	Washer
28	2198607	Spring
29	2305243	Drive Shaft
30	2252130	Dispenser, Motor
31	2305208	Bracket, Motor
32	2212365	Sleeve, Coupling
33	2317243	Wiper
34	2317250	Divider-Chamber
100	W10140693	Ice Container (Complete)

REFRIGERADOR KSCS25FV



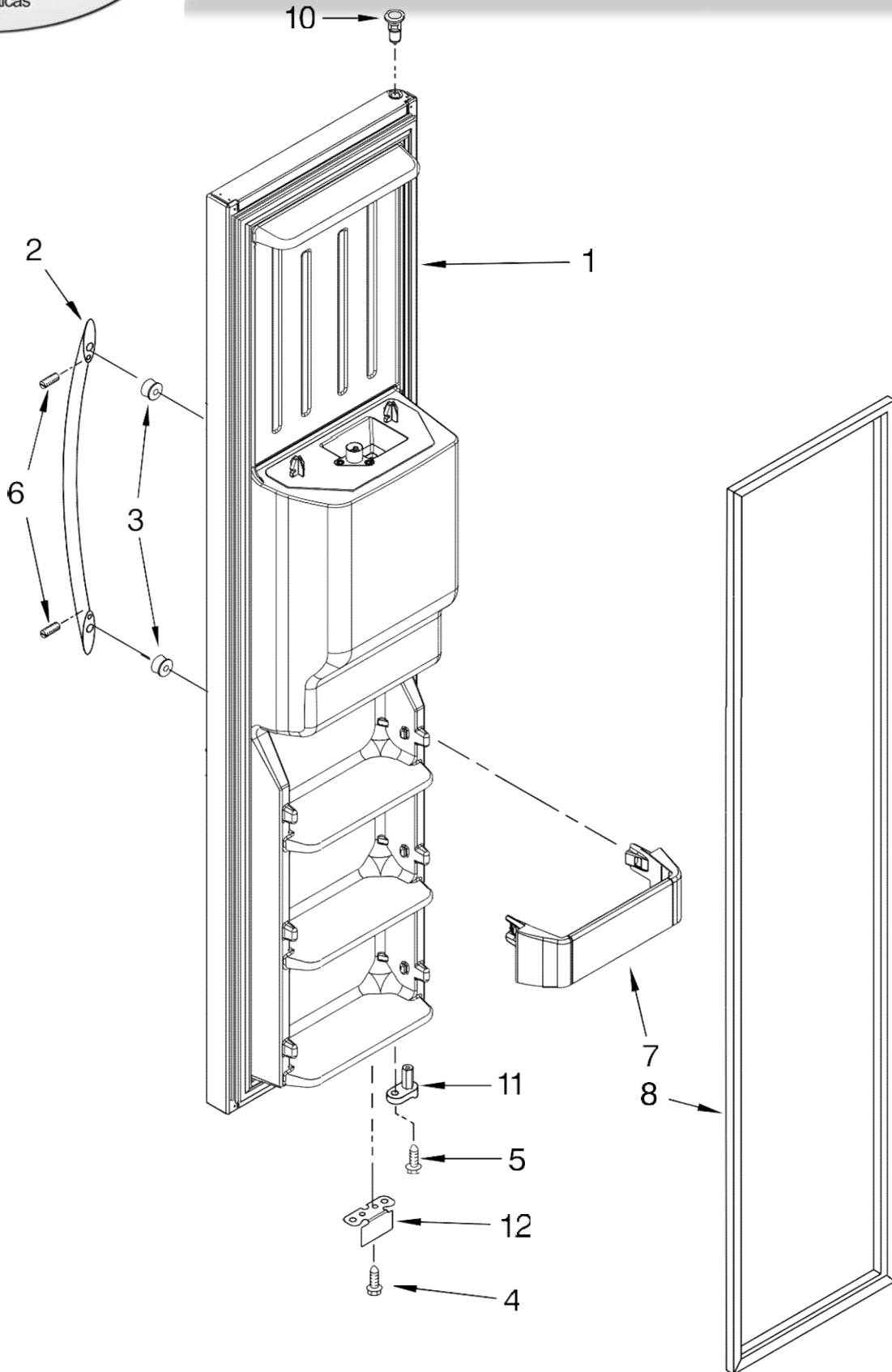
FOR ORDERING INFORMATION REFER TO PARTS PRICE LIST



REFRIGERADOR KSCS25FV

Illus. No.	Part No.	DESCRIPTION
1		Refrigerator Door (Includes #7)
	W10128340	White
	W10128344	Biscuit
	W10128342	Black
	W10257842	Stainless Steel
	W10257844	Mono Stainless
2	2203087	Trim, Shelf
3	2255421	Dairy Door
4	2223883	Caddy, Can
6	W10170540	Stud, Handle
7		Door Gasket, Magnetic
	2223326	Mist Beige
	2223909	Black
	2326341	Apollo Grey
8		Handle (Includes #9)
	2319727W	White
	2319727T	Biscuit
	2319727B	Black
	2319727S	Stainless Steel
9		Screw
	W10010140	Chrome
	W10010150	Black
10	2223879	Dairy Compartment
11	2156006	Plug, Trim
12	2307048	Door Closer, Upper Cam
13	2308091	Thimble, Top
14	489420	Screw
15		Bracket, Door Stop
	2306940	Chrome
	2306940B	Black
16	2223860	Door Bin (3)
17	3400012	Screw
18	2224173	Door Bin, Shallow
19		Nameplate
	W10046670	White
	W10046700	Biscuit
	W10046640	Black
	W10046610	Gray

REFRIGERADOR KSCS25FV



FOR ORDERING INFORMATION REFER TO PARTS PRICE LIST

Distribuidor Autorizado

SurteRápido.com

Venta de Refacciones
Electrodomesticas

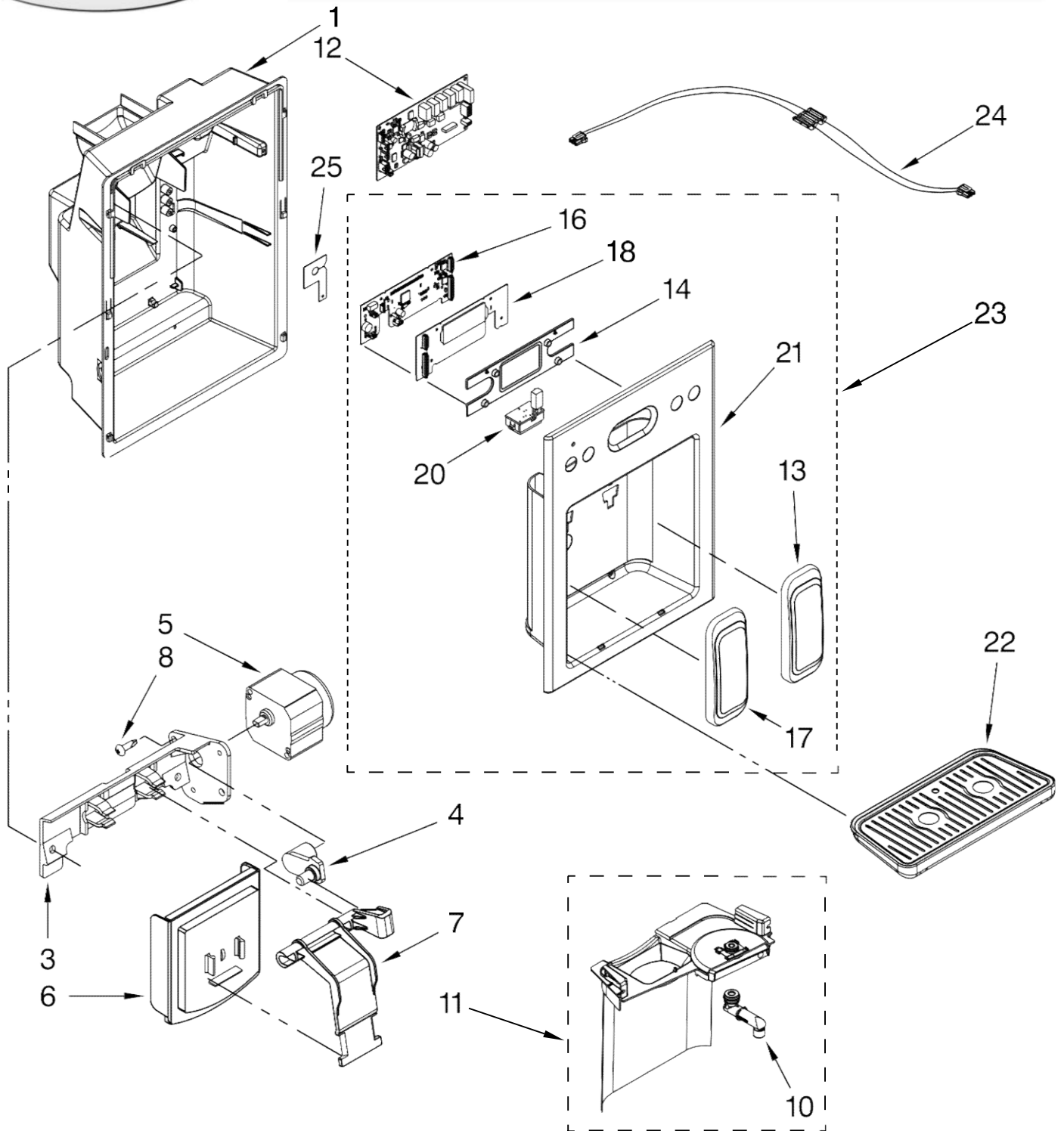


REFRIGERADOR KSCS25FV

Illus. No.	Part No.	DESCRIPTION
-----------------------	---------------------	--------------------

1		Freezer Door (Includes #8 And Dispenser Front Parts)
	W10149673	White
	W10149675	Biscuit
	W10149674	Black
	W10257791	Stainless Steel
	W10257792	Mono Stainless Handle
2		(Includes #6)
	2319727W	White
	2319727T	Biscuit
	2319727B	Black
	2319727S	Stainless Steel
3	W10170540	Stud, Handle
4	489420	Screw
5	3400012	Screw
6		Screw
	W10010140	Chrome
	W10010150	Black
7	2223559	Shelf Bin (3)
8		Door Gasket, Magnetic
	2223325	Mist Beige
	2223910	Black
	2326340	Apollo Grey
10	2308091	Thimble, Top
11	2307050	Door Closer, Upper Cam
12		Bracket, Door Stop
	2306940	Chrome
	2306940B	Black

REFRIGERADOR KSCS25FV



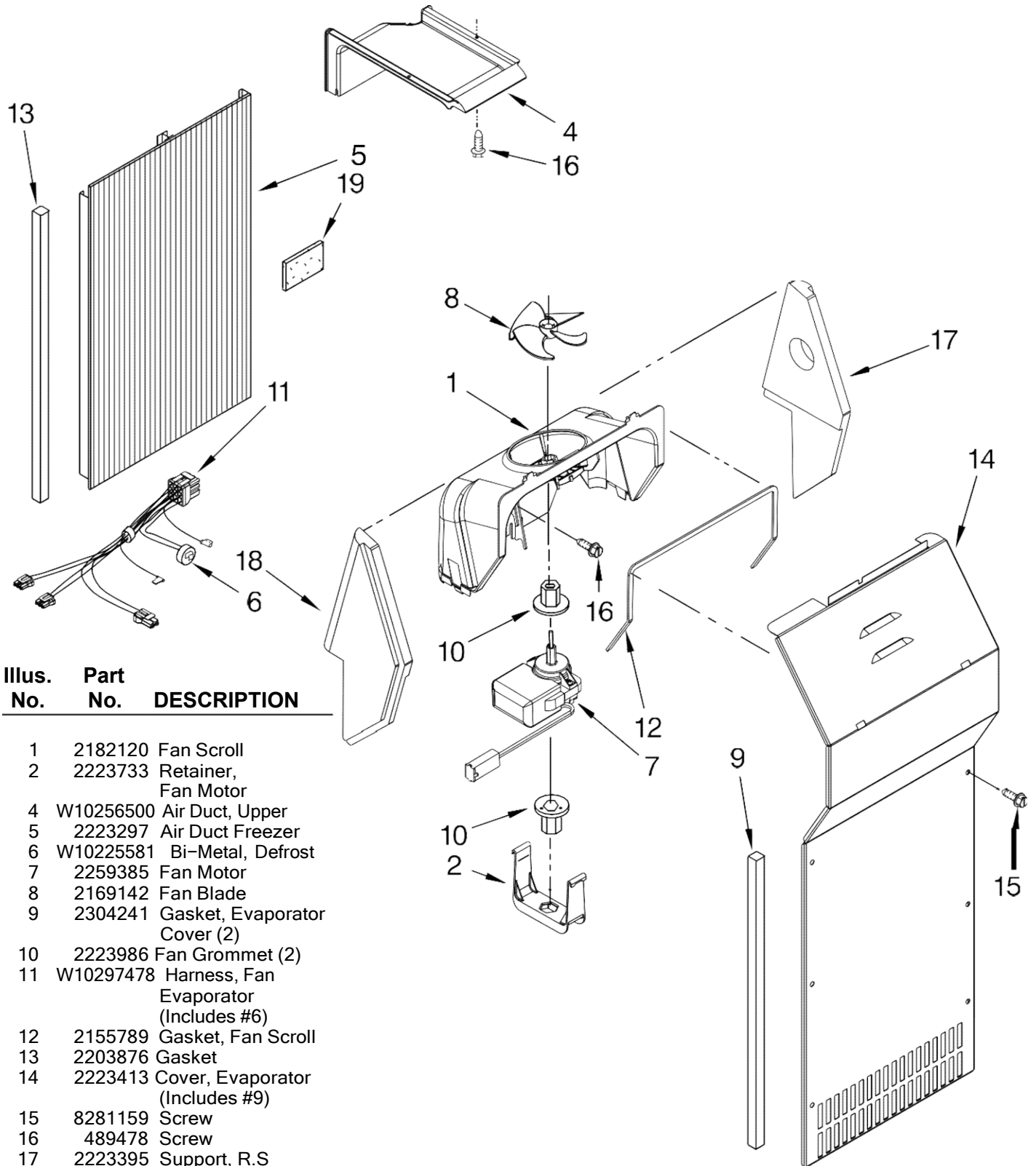
FOR ORDERING INFORMATION REFER TO PARTS PRICE LIST



REFRIGERADOR KSCS25FV

Illus. No.	Part No.	DESCRIPTION
1		Housing, Dispenser (Not Serviced)
3	2305202	Bracket, Motor
4	2305242	Connector, Door Bracket
5	W10184813	Motor, Ice Door
6	2305258	Door, Ice
7	2305204	Support, Ice Door
8	4449745	Screw (4)
10	W10187441	Spigot
11	2305456	Seperator Assembly
12	2303843	Electronic Control (Core)
13	2305307CE	Pad, Water (White)
	2305307MN	Biscuit
	2305307GE	Black
	2305307AS	Grey
14	2305287	Lens, Front Cover
16	2321746	Cover, PC Board (User Interface) (Includes #18)
17	2305306CE	Pad, Ice (White)
	2305306MN	Biscuit
	2305306GE	Black
	2305306AS	Grey
18	2305219	Cover, PC Board
20	W10222215	LED Assembly
21		Front Cover, Housing (Not Available, Order #23)
22		Trim, Housing
	2315109W	White
	2315109T	Biscuit
	2315109B	Black
	2315109NA	Nickel Alloy
23		Front Cover Assembly (Includes Items 13,14,16,17,20&21)
	2326256W	White
	2326256T	Biscuit
	2326256B	Black
	2326256NO	Nickel One
24	W10178851	Wire Assembly, User Interface
25	2305447	Clip, Wiring

REFRIGERADOR KSCS25FV

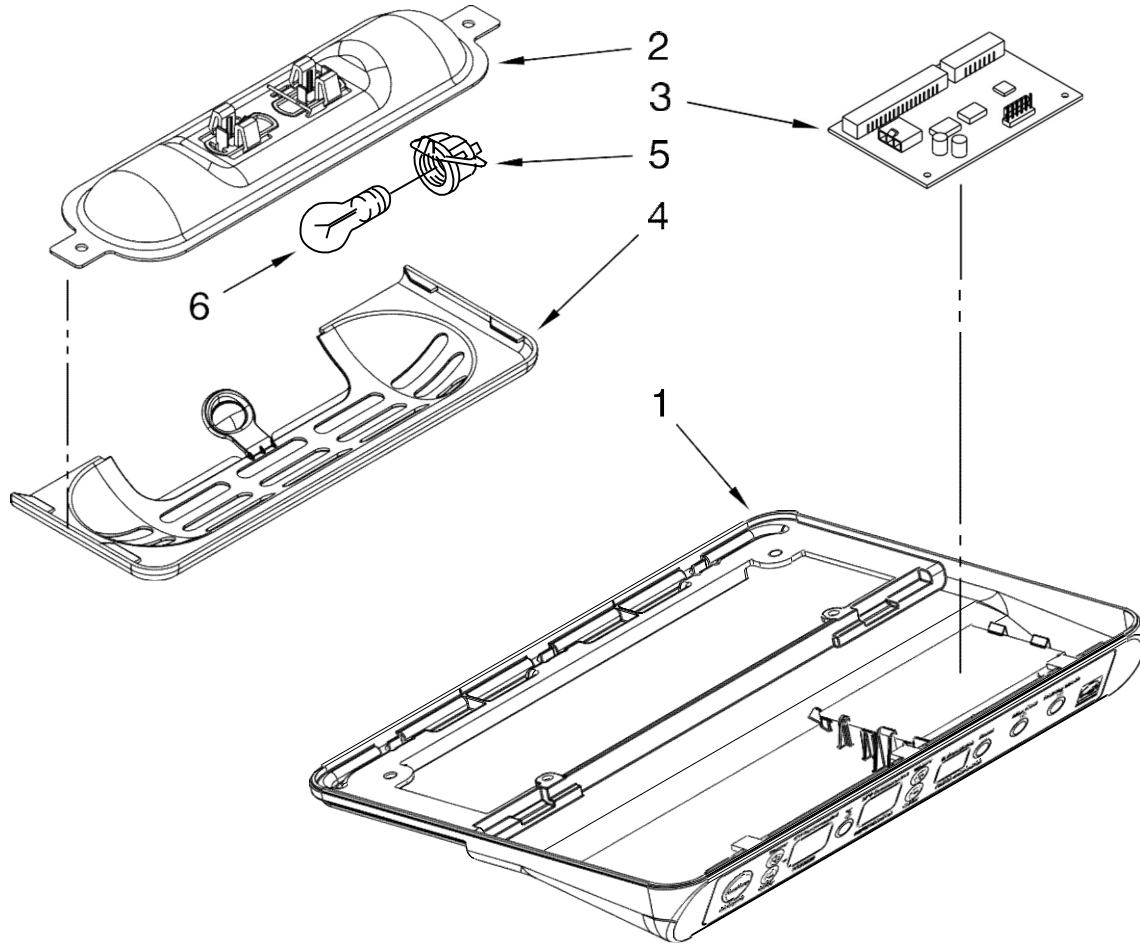


Illus. No.	Part No.	DESCRIPTION
------------	----------	-------------

1	2182120	Fan Scroll
2	2223733	Retainer, Fan Motor
4	W10256500	Air Duct, Upper
5	2223297	Air Duct Freezer
6	W10225581	Bi-Metal, Defrost
7	2259385	Fan Motor
8	2169142	Fan Blade
9	2304241	Gasket, Evaporator Cover (2)
10	2223986	Fan Grommet (2)
11	W10297478	Harness, Fan Evaporator (Includes #6)
12	2155789	Gasket, Fan Scroll
13	2203876	Gasket
14	2223413	Cover, Evaporator (Includes #9)
15	8281159	Screw
16	489478	Screw
17	2223395	Support, R.S
18	2203596	Support, L.S
19	W10267707	Insulation, Sound

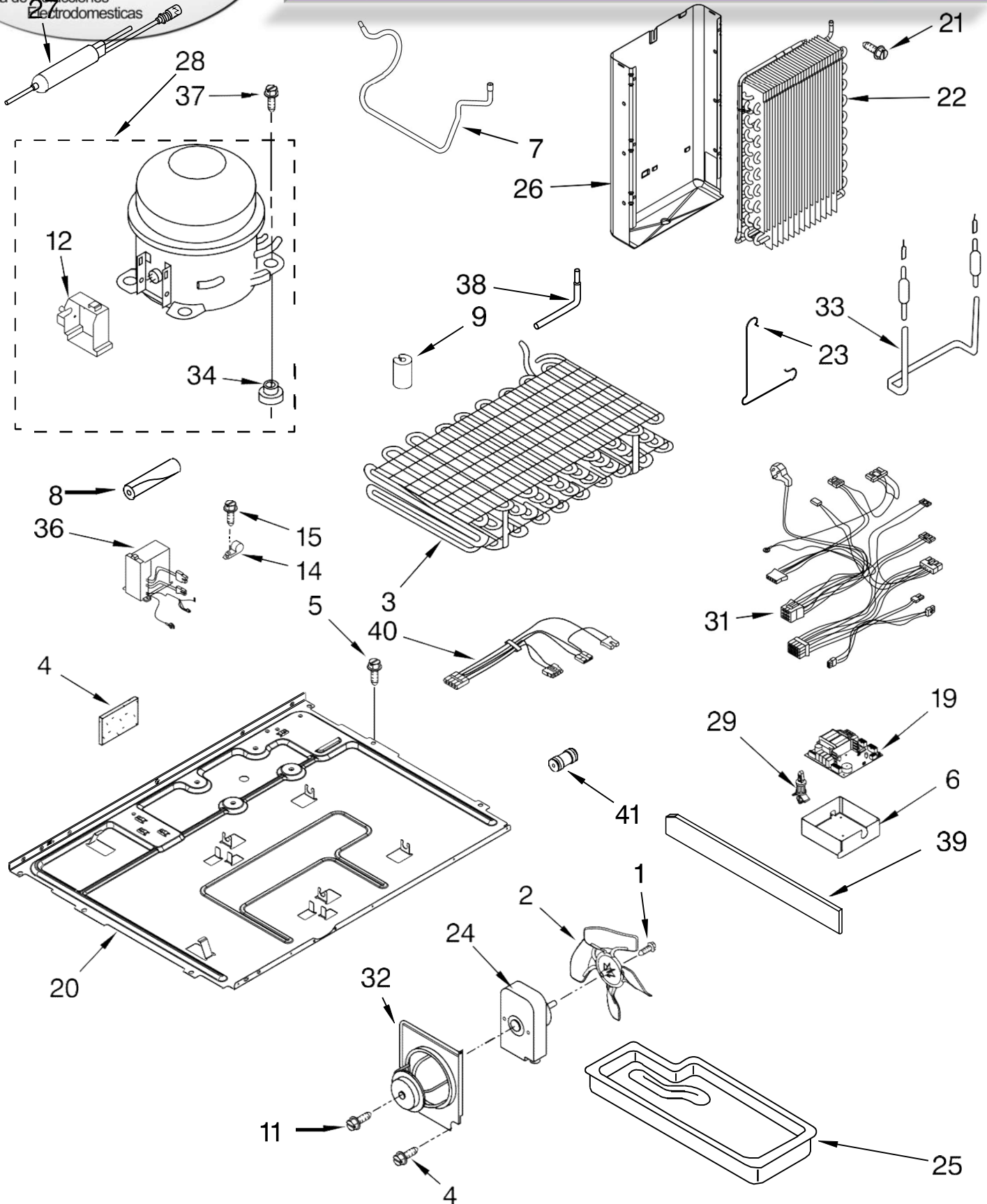
FOR ORDERING INFORMATION REFER TO PARTS PRICE LIST

REFRIGERADOR KSCS25FV



Illus. No.	Part No.	DESCRIPTION
1	W10175591	Control Box (Includes #3)
2	2223882	Heat Shield Asm (Includes #5)
3	2307037	Control Board Asm
4	2223506	Light Lens, Control Box
5	2223857	Light Socket
6	2326255	Light Bulb

REFRIGERADOR KSCS25FV



FOR ORDERING INFORMATION REFER TO PARTS PRICE LIST



REFRIGERADOR KSCS25FV

Illus. No.	Part No.	DESCRIPTION
1	777070	Screw
2	W10139483	Fan, Blade
3	W10193018	Condenser Assembly
4	2169104	Insulation, Sound
5	3400524	Screw (6)
6	2223703	Housing, Control Board
7	2223351	Tube Suction
8	2161302	Sleeve
9	2319835	Grommet, Condenser (4)
11	8533859	Screw
12	2215676	Cover, Terminal
14	2305373	Clamp, Cable
15	488280	Screw
19	W10219463	Electronic Control
20	2306932	Baseplate
21	489478	Screw
22	2188823	Evaporator

Illus. No.	Part No.	DESCRIPTION
23	2161324	Clamp
24	2188874	Fan, Motor
25	2223398	Tray, Evaporator
26	2224022	Heat Shield
27	W10177049	Drier
28	W10155907	Compressor (Includes Items 12 & 34)
29	2223800	Spacer (5)
31	2310122	Harness, Main Control
32	2224024	Fan, Motor Bracket
33	2323199	Heater, Defrost
34	1100826	Grommet
36	W10154805	Inverter Box
37	489373	Screw (4)
38	W10325116	Tube, Process
39	2223394	Extension, Air Baffle
40	2310121	Unit Harness
41	W10271541	Connector, Water Tube

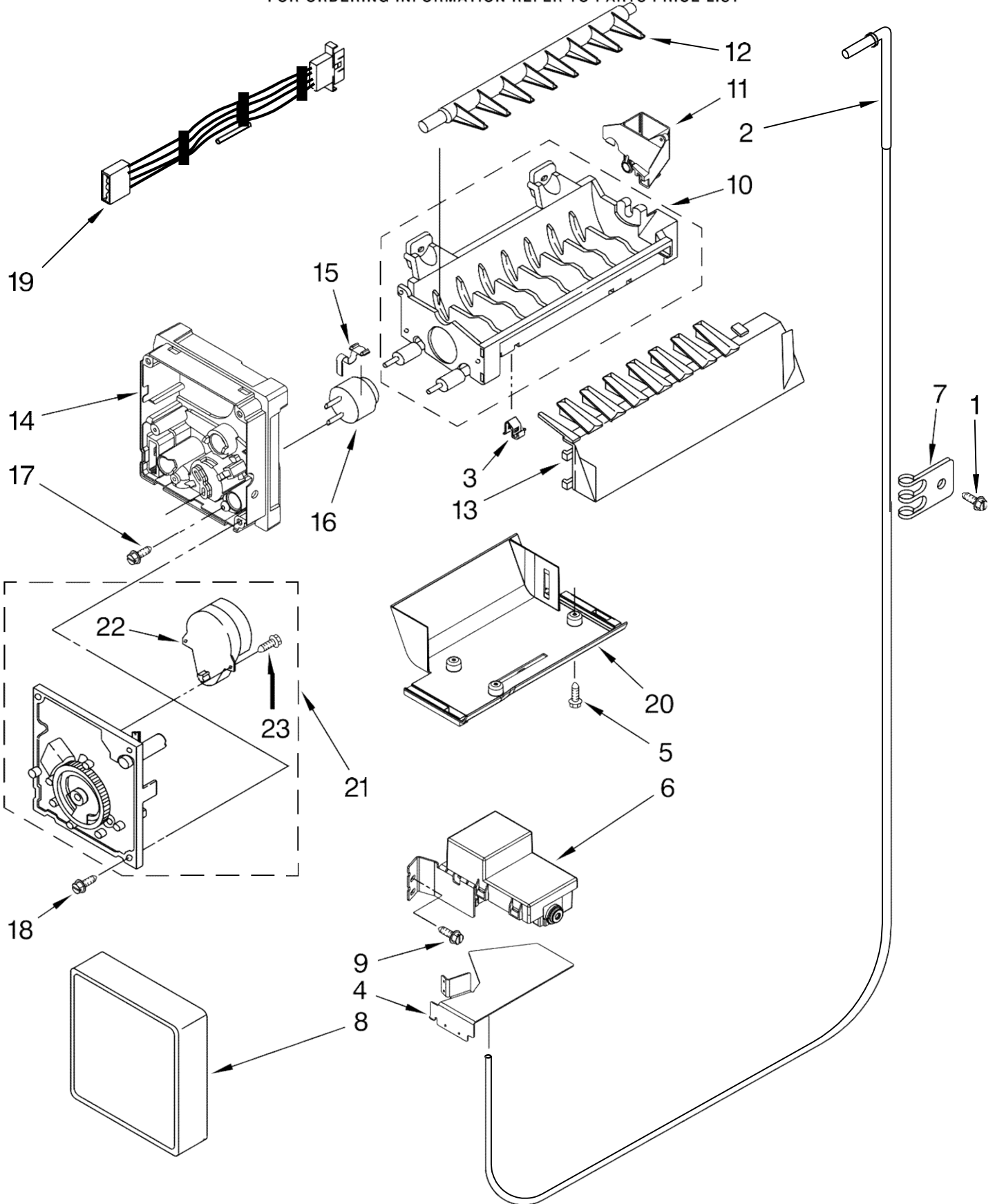
Illus. No.	Part No.	DESCRIPTION
Following Parts Not Illustrated and Optional Parts Not Included		
	978025	Valve, Access (1/4")
	978026	Valve, Access (5/16")
	978027	Valve, Access (3/8")
	978028	Valve, Access (1/2")
	978029	Valve, Access (5/8")
	978030	Valve, Access (3/4")
	876764	Valve, Access (3/16")

REFRIGERANT CHARGE

6.00 oz.
(R-134A)

REFRIGERADOR KSCS25FV

FOR ORDERING INFORMATION REFER TO PARTS PRICE LIST





REFRIGERADOR KSCS25FV

Illus. No.	Part No.	DESCRIPTION
1	489084	Screw
2	2303216	Fitting, Water Tube
3	628379	Clip, Fuse
4	W10199264	Shield, Water Valve
5	489478	Screw
6	2319734	Water Valve Asm
7	2208136	Tube Clip
8	W10289690	Cover
9	488649	Screw
10	W10122527	Mold & Heater Assembly (Also Order 542638
11	W10272168	Cup, Water Fill
12	627843	Ejector
13	W10272161	Ice Striper
14	2194712	Support
15	2315522	Retainer, Thermostat
16	628397	Thermostat (Also Order 542369 Cement Alumilastic)
17	8533917	Screw
18	489276	Screw
19	2187467	Harness, Wiring
20	2303583	Bracket, Icemaker Mounting
21	626691	Module Assembly (Includes Items 22 & 23)
22		Motor
23	489276	Screw
100	W10272869	Icemaker Assembly

OPTIONAL PARTS (NOT INCLUDED)

For Models: KSCS25FVWH02, KSCS25FVBT02, KSCS25FVBL02, KSCS25FVMS02, KSCS25FVMK02, KSCS25FVSS02
 (White) (Biscuit) (Black) (Monochromatic) (Monochromatic) (Stainless) (Stainless)

Illus. No.	Part No.	DESCRIPTION
------------	----------	-------------

PAINT, PRESSURIZED SPRAY (12 oz.)

- *350942 Primer, White
- *350939 Black
- *350930 White
- *8171357 Graphite
- *4392901 Biscuit

PAINT, TOUCH-UP (1/2oz.)

- 72017 White
- 80051 Graphite
- 72032 Black
- 4392899 Biscuit
- W10134625 Apollo Grey

* **Important:** The spray paint is not to be used where the paint may make contact with the door gaskets.

Illus. No.	Part No.	DESCRIPTION
------------	----------	-------------

PAINT, BULK (1 qt.)

- 799344 White
- 8171358 Graphite
- 4392900 Biscuit

Miscellaneous

- 212643 Sealer, Gum (4 Feet)
- 479502 Tape, Vinyl (3/4 x 108")
- 505587 Sealer, Mastic (1 Qt.)
- 503695 Cork, Sealer (1/4 Pound)
- 542638 Grease, Silicone (1/2 Oz.)
- 542639 Cement, Alumilastic (1-1/4 Oz.)
- 833938 Kit, Terminal Connector

Illus. No.	Part No.	DESCRIPTION
------------	----------	-------------

ACCESSORIES

- Previous Architect Series Handle Kit
- 8201803 White
- 8201804 Biscuit
- 8201805 Black
- 8201806 Stainless

TORX SCREW WRENCH

- 1117510 Torx Key