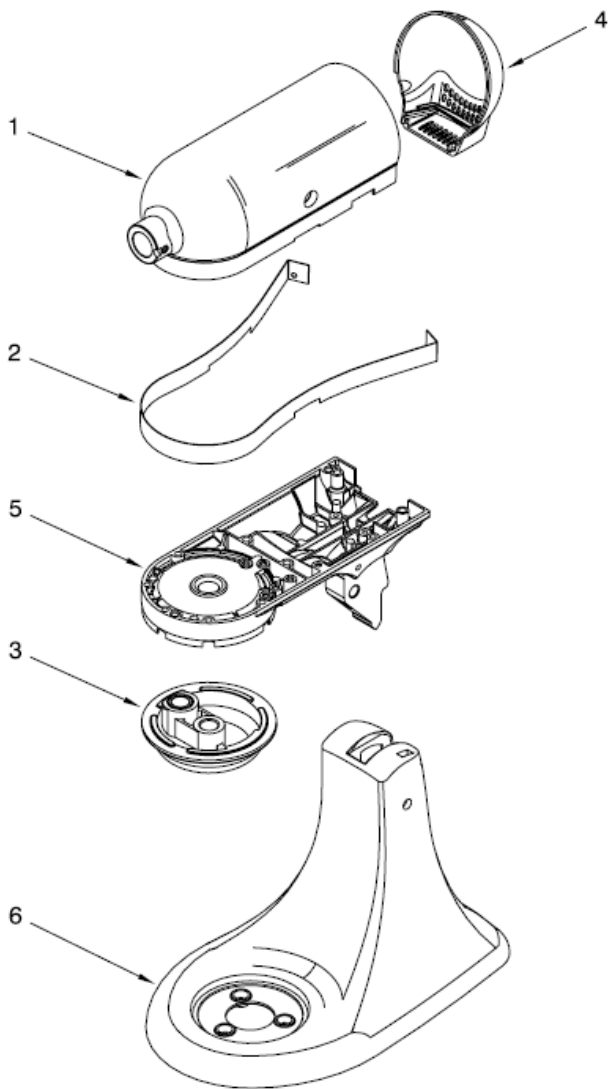


KSM95ER0





KSM95ER0

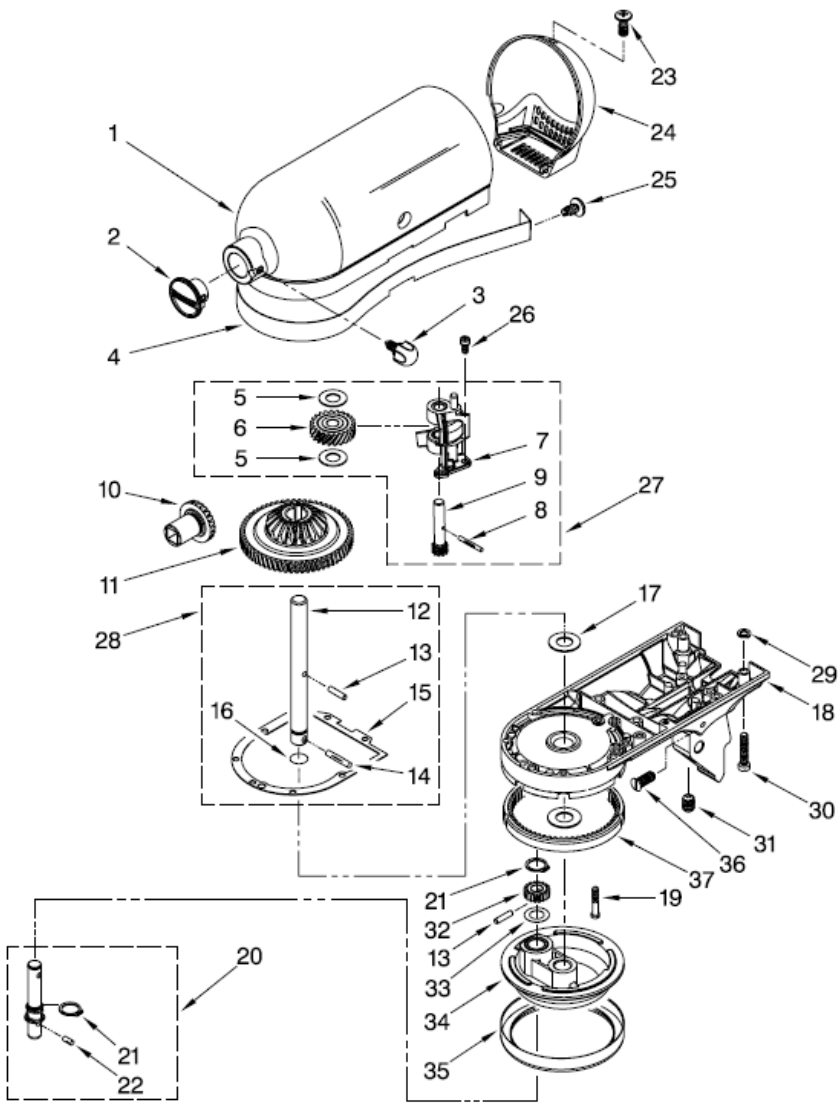
Illus. No.	Part No.	DESCRIPTION
1		Motor Housing
	240291-1	White
	240291-21	Empire Red
	240291-13	Onyx Black
	240291-7	Cobalt Blue
	9709688	Green Apple
	W10121193	Silver Metallic
	9706849	Tangerine
	240291-22	Imperial Grey
	W10350463	Contour Silver
2	240291-16	Almond Creme
		Trim Band
3	9702645	Black
	W10211509	Pink
3		Planetary
	240286-1	White
	240286-23	Empire Red
	240286-24	Imperial Grey
	240286-16	Onyx Black
	240286-10	Cobalt Blue
	9709685	Green Apple
	W10121190	Silver Metallic
	9706852	Tangerine
	W10350465	Contour Silver
240286-18	Almond Creme	

Illus. No.	Part No.	DESCRIPTION
4		End Cover
	240253-1	White
	240253-22	Empire Red
	240253-23	Imperial Grey
	240253-14	Onyx Black
	240253-8	Cobalt Blue
	9709683	Green Apple
	W10121188	Silver Metallic
	9706854	Tangerine
	W10350456	Contour Silver
5	240253-16	Almond Creme
		Lower Gearcase
	240350-4	White
	240350-84	Empire Red
	240350-86	Imperial Grey
	240350-56	Onyx Black
	240350-31	Cobalt Blue
	9709691	Green Apple
	W10121196	Silver Metallic
	9706845	Tangerine
W10350459	Contour Silver	
240350-62	Almond Creme	

Illus. No.	Part No.	DESCRIPTION
------------	----------	-------------

6		Pedestal w/Feet
	3179260	White
	9702304	Empire Red
	9702305	Imperial Grey
	3179275	Onyx Black
	3179263	Cobalt Blue
	9709694	Green Apple
	W10121199	Silver Metallic
	9706843	Tangerine
	W10350457	Contour Silver
3179277	Almond Creme	

KSM95ER0

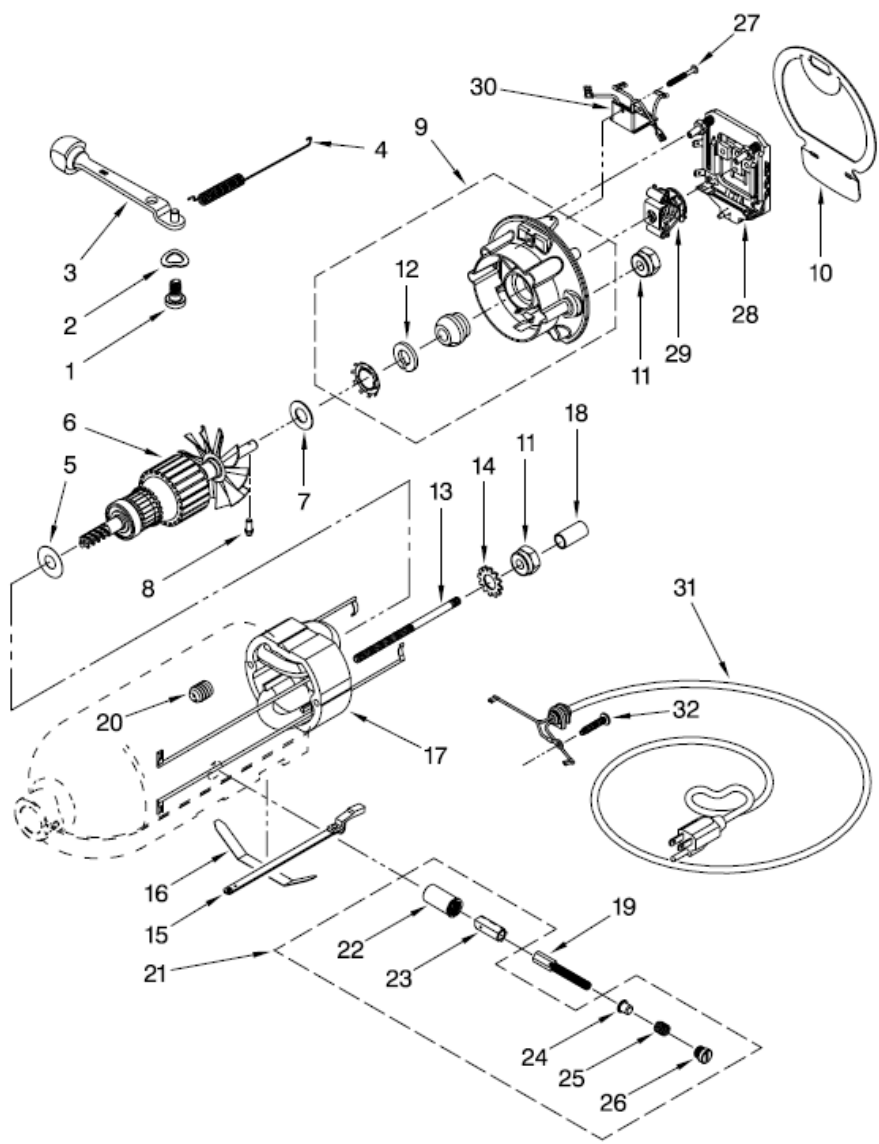




KSM95ER0

Illus. No.	Part No.	DESCRIPTION
1	* *	Gearcase Motor Housing
2		Cap. Attachment Hub
	242765-2	Chrome
	242765-4	Painted
3		Thumb Screw
	9709194	Black
	9709198	Grey
4	* *	Band, Trim
5	W10323373	Washer
6	W10112253	Worm Gear
7	240308	Worm Gear Bracket And Bearing
8	9705444	Pin
9	240210-2	Shaft & Pinion
10	9705130	Gear, Attachment Hub Level
11	9709627	Bevel Pinion Center Gear
12	240026	Shaft, Vertical Center
13	240018-1	Pin (Vertical Center Shaft)
14	9705443	Pin, Groove
15	4162324	Gasket, Transmissn
16	67600-55	O-Ring
17	W10323378	Washer
18	* *	Lower Gear Case
19	103994	Screw
20	4176067	Shaft, Agitator
21	9703438	Ring, Retaining
22	9704677	Pin, Groove
23	4162914	Screw
24	* *	Cover, End
25	311932	Screw
26	3400022	Screw
27	240309-2	Gear, Worm and Bracket
28	4160474	Center Shaft & O-Ring
29	8533914	Washer, Spring Lock
30	3400025	Screw
31	3400203	Screw, Set
32	9703903	Pinion, Gear Agitator Shaft
33	9706090	Washer
34	* *	Planetary
35	240285	Ring, Planetary Drip
36	89411	Screw, Adjusting
37	9703904	Gear, Internal

KSM95ER0

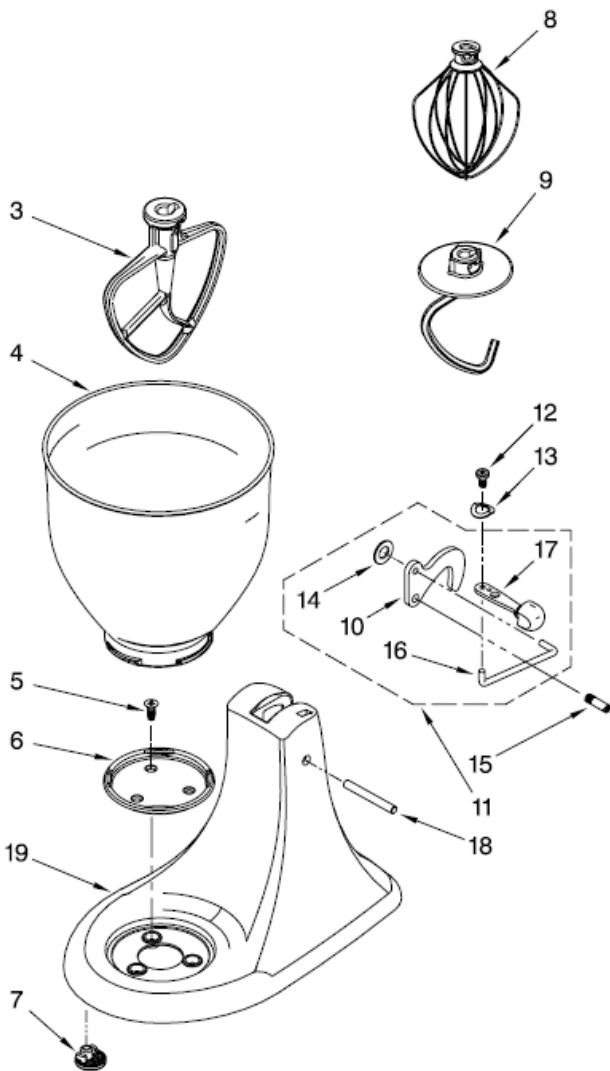




KSM95ER0

Illus. No.	Part No.	DESCRIPTION
1	110879	Screw, Pivot
2	116241	Washer, Spring
3		Lever, Speed Control Assy
	9709276	Black
	9709277	Grey
4	3183680	Spring, Control Plate
5	9704324	Washer, Ball Bearing (Front)
6	W10315777	Armature & Bearing
7	W10419328	Washer
8	16998	Stud, Governor Drive
9	3180526	Bracket, Bearing Assembly
10	240775-1	Seal, End
11	W10131078	Nut
12	3180238	Washer
13	240769	Screw
14	W10068270	Washer
15	3184176	Speed Link & Cam
16	240205	Spring, Flat
17	W10315774	Field Assembly
18	4162634	Sleeve, Motor Stud
19	W10380496	Brush, Carbon
20	9707926	Screw, Set
21	4162546	Brush Holder
22	3179908	Housing, Brush Holder
23	240680	Insert, Brush Holder
24	116286	Cap, Spring Seat
25	116287	Spring, Cap
26		Cap, Brush Holder
	3184212	Black
	3184211	White
27	W10068260	Screw
28	W10119326	Plate, Control Assy
29	W10330804	Governor Assembly
30	W10325124	Board, Phase Control
31		Cord, Power
	W10325327	White
	W10164883	Black
32	3184609	Screw, Self Tap

KSM95ER0





KSM95ER0

Illus. No.	Part No.	DESCRIPTION
1		Literature Parts
	9709785	Use & Care, Trilin
	W10161157	Repair Parts List
3	9709961	Beater, Flat
4	77688	Bowl, 4 1/2 Qt.
5	3400020	Screw
6	W10191928	Screw Cap Kit
7	9709707	Foot, Base
8	9704329	Whip, Wire
9	9706626	Hook, Dough
10	9709055	Latch
11		Latch, Link &
	24452	Black
	24452-2	Grey
		Lever
12	110679	Screw, Pivot
13	116241	Washer, Spring
14	8533912	Washer
15	103993	Screw, Latch
		Bearing
16	24450	Link, Latch
17		Lever, Latch
	9709280	Black
18	16910	Pin, Hinge
19	* *	Pedestal