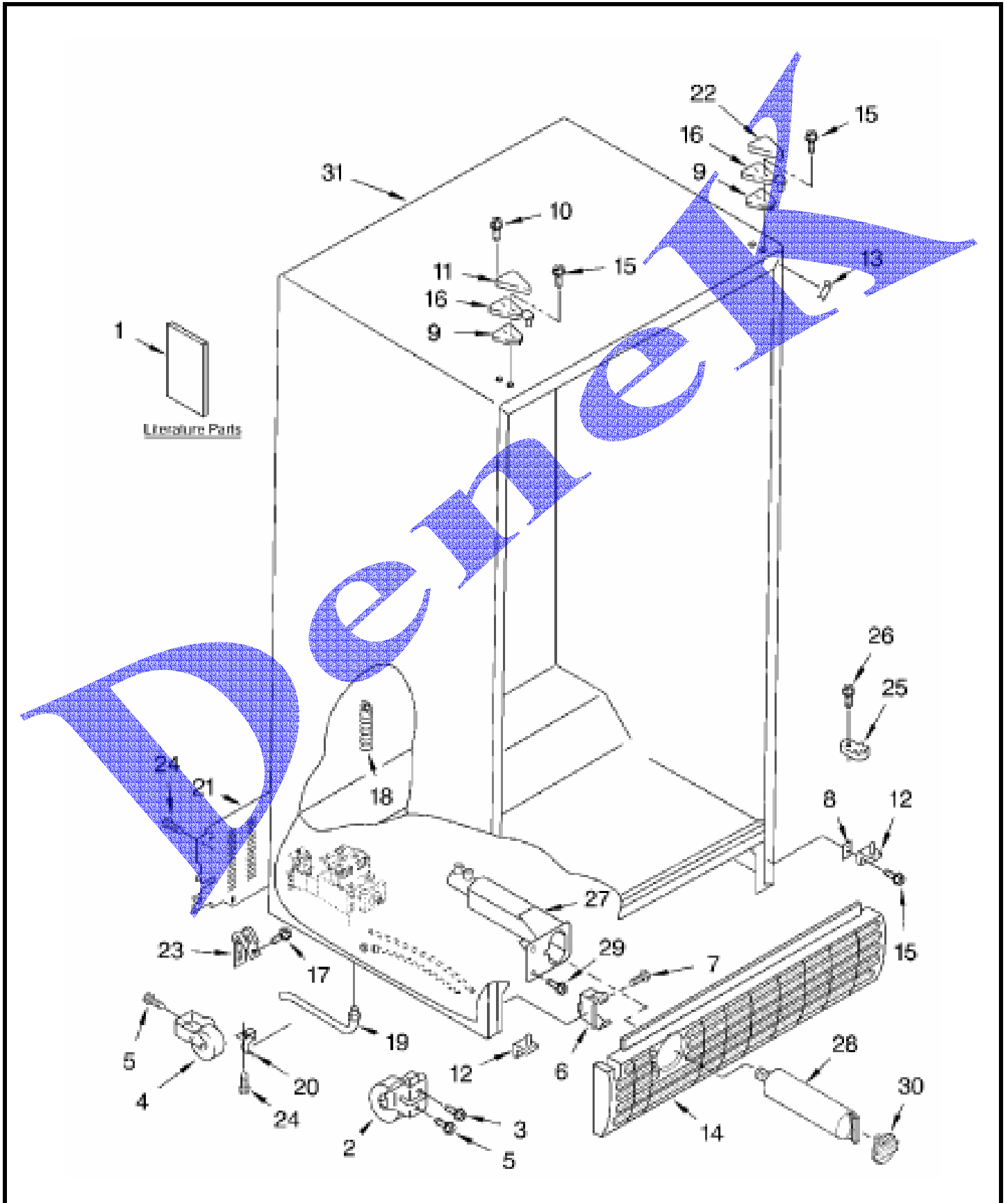


WHIRLPOOL REFRIGERADOR KSRS25FGSS13

CABINET, LITERATURE



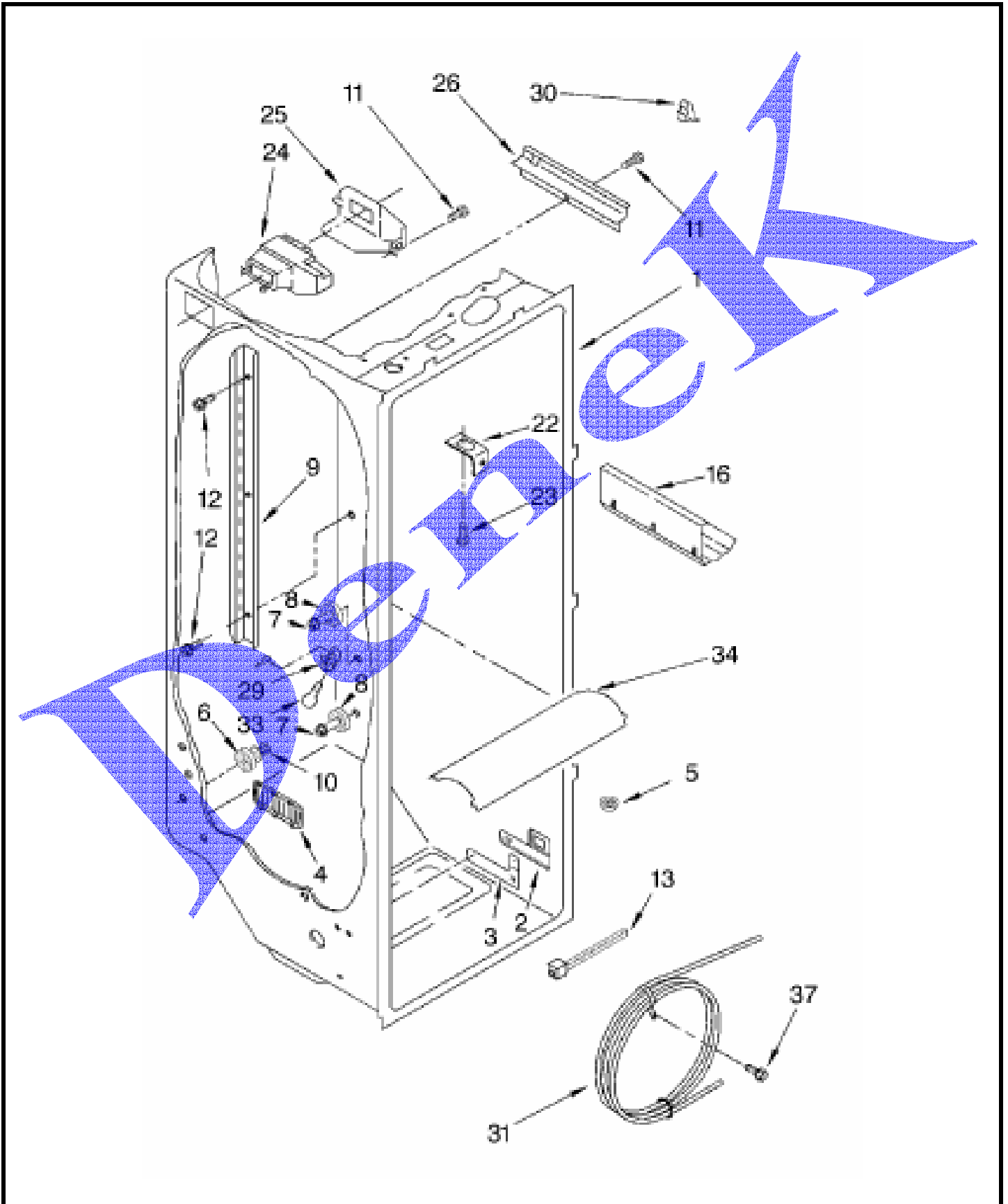
WHIRLPOOL REFRIGERADOR KSRS25FGSS13

CABINET, LITERATURE

1	LIT2206106	Literature Parts (Use & Care Guide)
2	2174748	Front Roller (2)
3	3400517	Screw
4	2196236	Roller (Rear) (2)
5	489427	Screw
6	2155013	Clip, Grille
7	489478	Screw
8	2156056	Shim (2)
9	2196048	Shim, Hinge Top
10	489284	Screw
11	2151694	Hinge Cover (Black)
12	2171851	Hinge Bottom (2)
13	2196097	Filler, Wrapper (Black)
14	2186881B	Grille (Black)
15	489497	Screw
16	2196046	Hinge Top (2)
17	489464	Screw
18	940139	Drain Fitting
19	1108438	Extension Tube
20	1108439	Clip, Drain Tube
21	2176140	Cover, Unit
22	2155938	Hinge Cover (Black)
23	549193	Clamp, Cord
24	489084	Screw
25	2155311	Door Closer, Lower Cam (2)
26	489483	Screw
27	2186443	Housing, Water Filter
28	2203220	Water Filter
29	489500	Screw
30	2186884B	Cap, Water Filter (Black)
	LIT628370	LITERATURE PARTS (Modular Icemaker Service Sheet)
	LIT2206420	Energy Guide
	LIT2200278	LITERATURE PARTS (Service & Wiring Sheet)

WHIRLPOOL REFRIGERADOR KSRS25FGSS13

REFRIGERATOR LINER



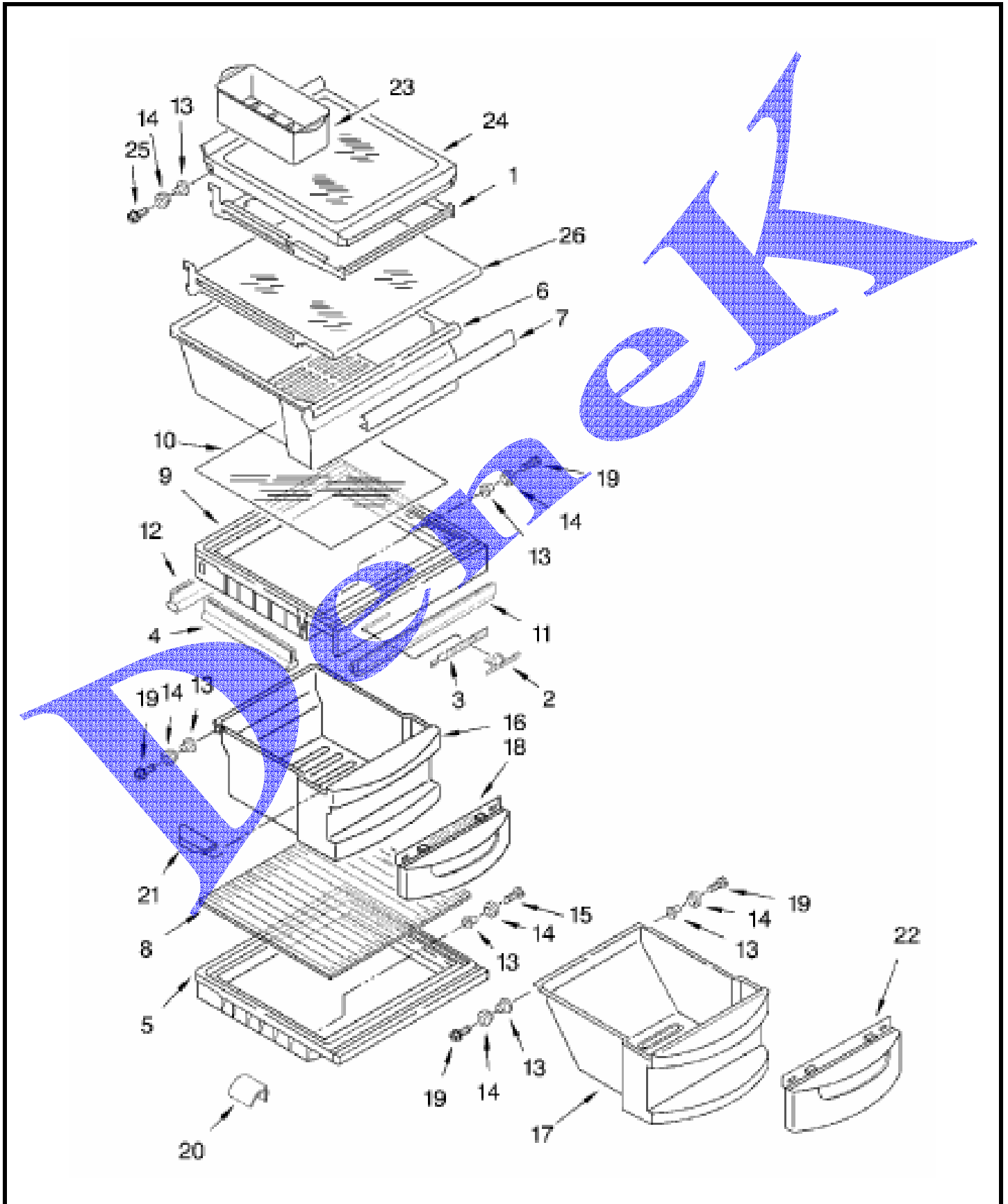
WHIRLPOOL REFRIGERADOR KSRS25FGSS13

REFRIGERATOR LINER

2	2194744	Escutcheon, Meat Pan Control
3	2182757	Slide Meat
4	2182147	Louver
5	2171846	Release Valve
6	2196485	Stud Assembly
7	3400894	Screw
8	2196483	Stud Assembly
9	2181796	Ladder, Shelf
10	8281158	Screw
11	486298	Screw
12	487539	Screw, 8-15 x 1/2
13	2205813	Wire Tie
16	2179404	Rack, Wine & Egg
22	1123919	Bracket Retainer
23	489290	Screw, (2)
24	2161467	Air Diffuser Assembly
25	2161470	Air Diffuser Cover
26	2150331	Cover, Conduit
29	2162085	Socket, Light (2)
30	842534	Clip, Air Duct (2)
31	2209687	Reservoir
33	527949	Light Bulb
34	2203266	Light Lens
37	488280	Screw (2)

WHIRLPOOL REFRIGERADOR KSRS25FGSS13

REFRIGERATOR SHELF



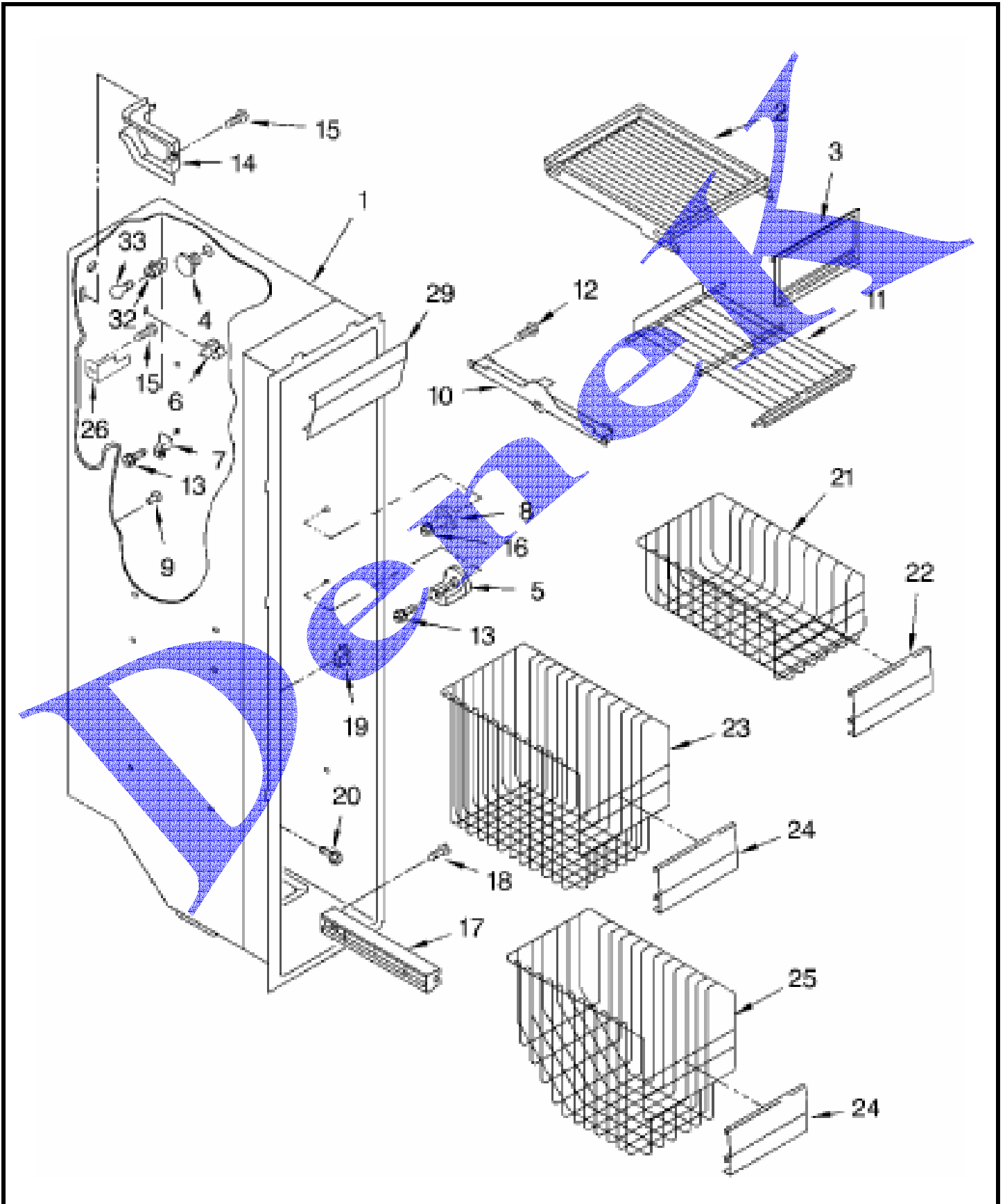
WHIRLPOOL REFRIGERADOR KSRS25FGSS13

REFRIGERATOR SHELF

1	2195978	Shelf Assembly, Cantilever (2)
2	2174253	Button, Humidity
3	2174252	Slide, Humidity
4	2174273	Gasket, Side (2)
5	2161491	Cover, Meat Pan (Includes Items 13, 14 & 15)
6	2209677	Snack Bin
7	2179243	Trim, Snack Pan
8	2189526	Glass, Cover
9	2174250	Cover, Crisper (Includes 2, 3, 4, 11, 12, 13, 14 & 19)
10	2174148	Glass, Cover
11	2174272	Gasket, (Front)
12	2174274	Gasket, (Rear)
13	2174478	Eyelet, Roller
14	2188212	Roller
15	489211	Screw
16	2179227	Crisper Pan (Includes 13, 14, 18, 19 & 21)
17	2179231	Meat Pan (Includes 13, 14, 19 & 22)
18	2174076	Window, Crisper
19	489261	Screw
20	2176095	Deflector
21	2174258	Cap, Crisper (Left Side)
21	2174259	Cap, Crisper (Right Side)
22	2174362	Window, Meat Pan
23	2182730	Egg Bin
24	2174021	Shelf & Roller Assembly
25	489439	Screw (2)
26	2208298	Shelf, Snack Bin

WHIRLPOOL REFRIGERADOR KSRS25FGSS13

FREEZER LINER



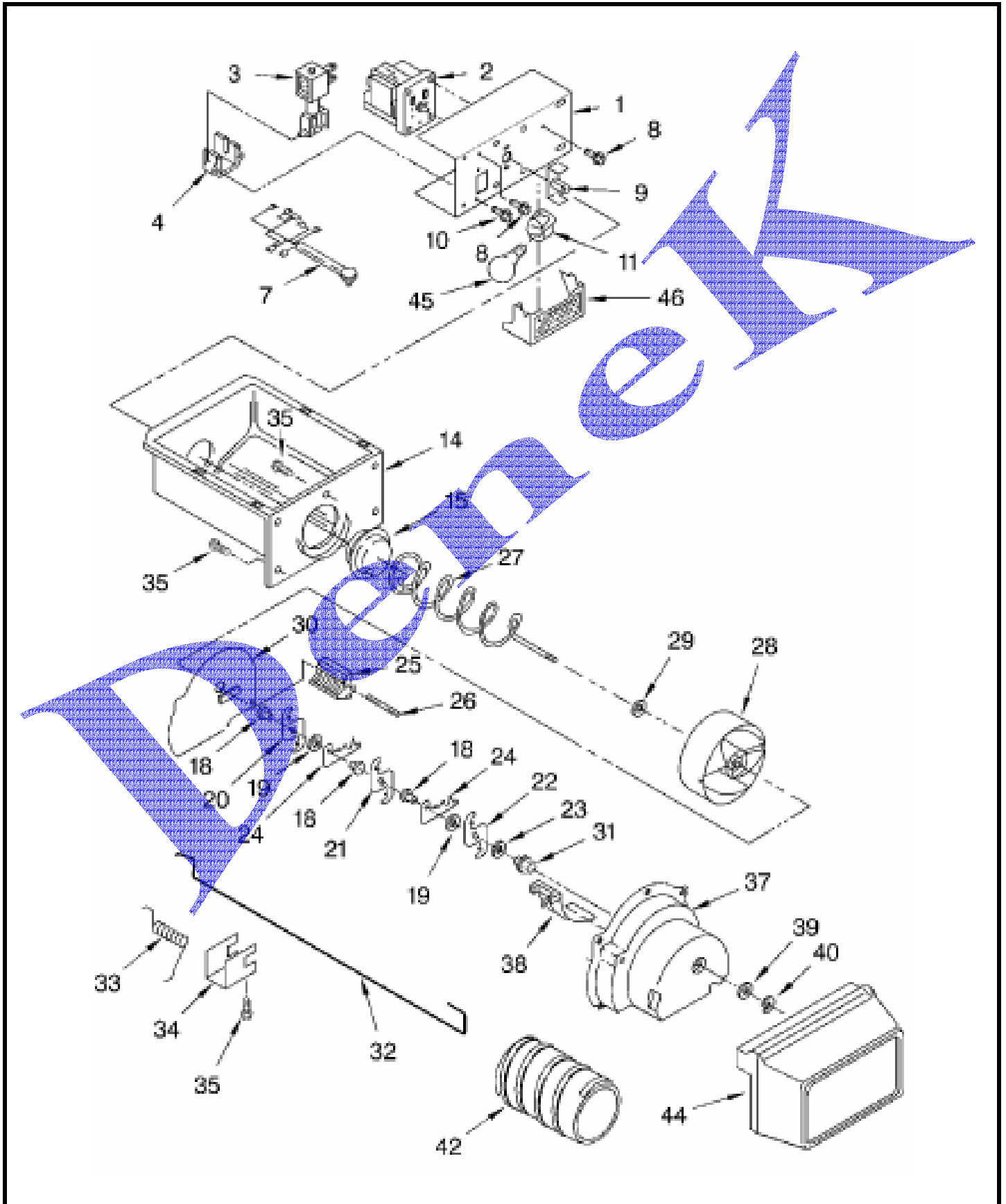
WHIRLPOOL REFRIGERADOR KSRS25FGSS13

FREEZER LINER

2	2174493	Shelf, Top Compartment
3	2171713	Door, Ice Compartment
4	940014	Hole Plug
5	2196207	Stud, Rear
6	842534	Clip, Air Duct (2)
7	2196206	Support, Stud
9	2176134	Grommet (10)
10	1119237	Slide, Container (Left Side)
10	1119293	Slide, Freezer Bin (Right Side)
11	2174267	Shelf
12	489100	Screw
13	3400893	Screw
14	2155572	Wiring Cover
15	489355	Screw (2)
16	8281158	Screw
17	2181759	Slide, Basket (Left Side (2))
17	2181760	Slide, Basket (Right Side (2))
18	486298	Screw
19	1115373	Switch, Rocker Arm
20	489478	Screw
21	2181763	Basket, Shallow
22	2171767	Front, Basket
23	2181765	Basket, Tall
24	2171766	Front, Basket
25	2181764	Basket, Slope
26	2209674	Bracket, Fill Tube
29	2171705	Light Lens
32	2162085	Socket, Light (2)

WHIRLPOOL REFRIGERADOR KSRS25FGSS13

MOTOR AND ICE CONTAINER



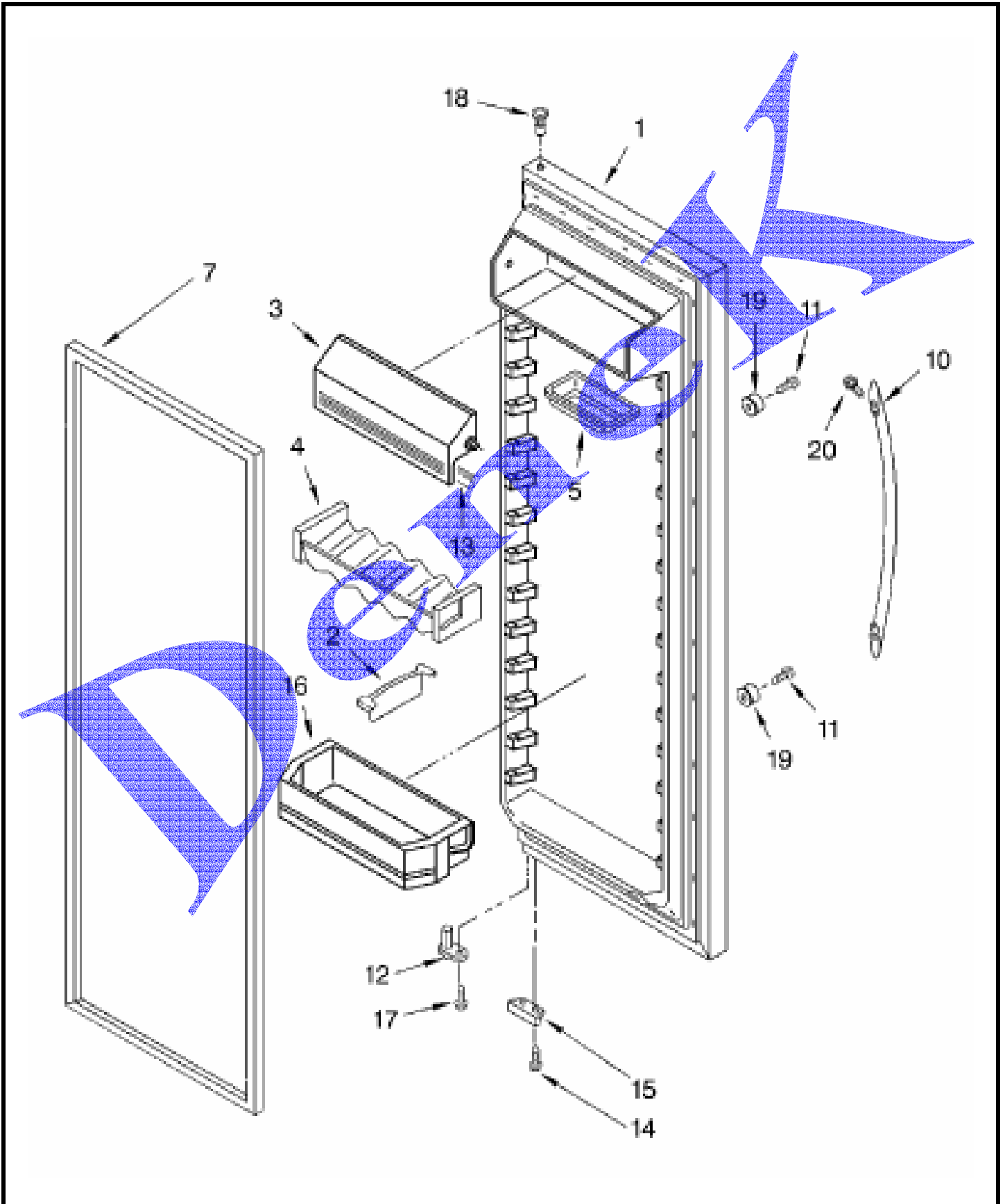
WHIRLPOOL REFRIGERADOR KSRS25FGSS13

MOTOR AND ICE CONTAINER

1	2183726	Bracket, Motor
2	2188385	Motor, Dispenser
3	2152713	Solenoid Assembly
4	2149100	Guide, Solenoid
7	2186815	Wiring Assembly, Ice Dispenser
8	489399	Screw
9	2205716	Coupling, Motor
10	489478	Screw
11	2162085	Socket, Light (2)
14	2196091	Ice Container
15	983668	Coupling, Conveyor
18	1119005	Spacer, Step (3)
19	1119007	Spacer, Flat (2)
20	1119006	Blade, Rotary
21	1119012	Blade, Rotary
22	1119013	Blade, Rotary
23	489235	Washer, Plain
24	1119009	Blade, Fixed (2)
25	2157405	Block, Blade
26	489229	Roll Pin
27	2181955	Conveyor
28	2196194	Drum
29	3400912	Washer
30	2171682	Floating Baffle
31	1119018	Nut, Bearing
32	2155231	Control Arm
33	1119020	Spring, Return
34	1119021	Retainer Clip, Rod
35	488886	Screw
37	2180348	Housing, Crusher
38	1119017	Deflector, Ice
39	489234	Washer, Plain
40	489236	Retainer Ring
42	2152021	Sleeve, Auger
44	2204321	Front Cover, Ice Container
45	527949	Light Bulb
46	2171706	Light Lens, Dispenser

WHIRLPOOL REFRIGERADOR KSRS25FGSS13

REFRIGERATOR DOOR



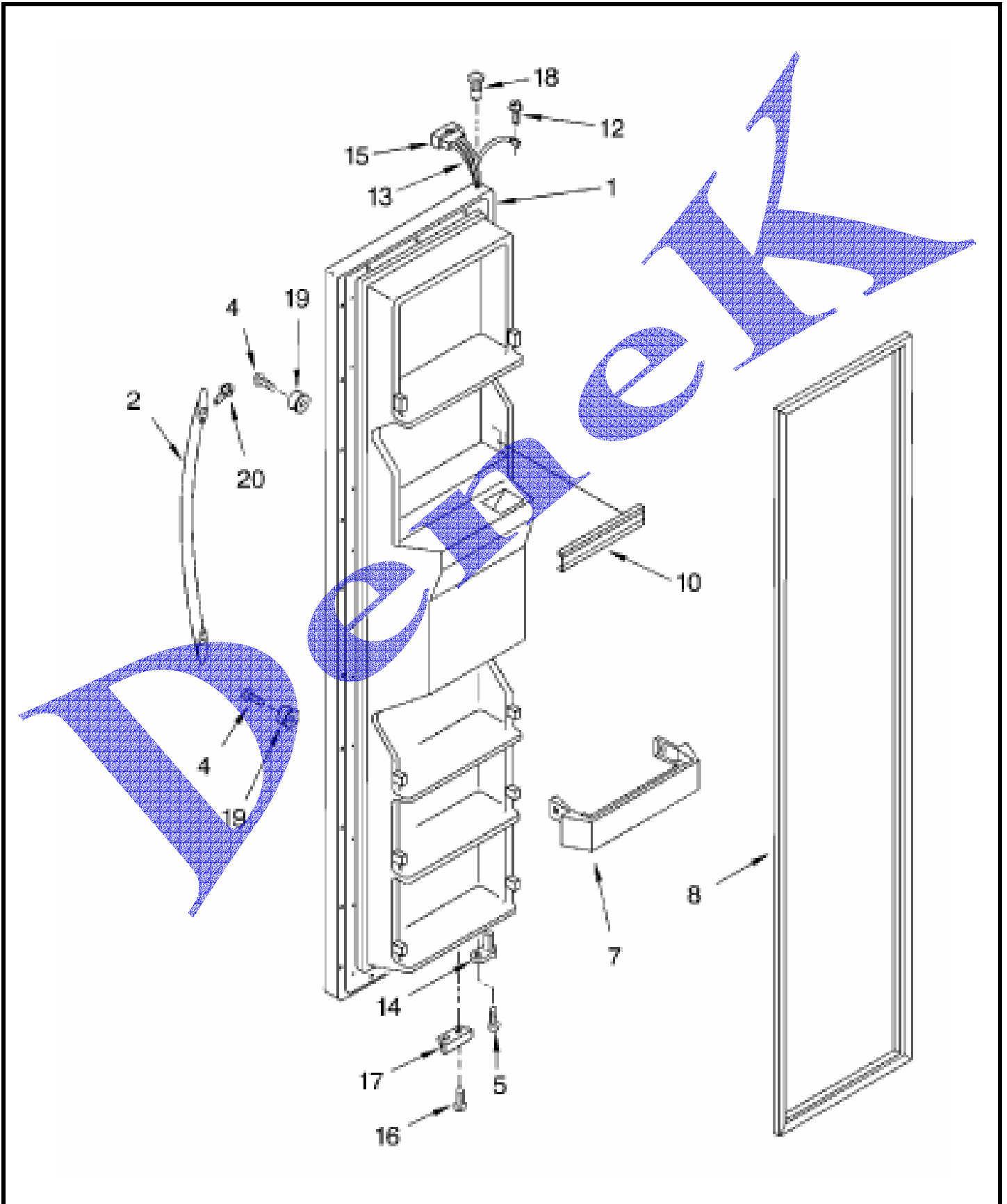
WHIRLPOOL REFRIGERADOR KSRS25FGSS13

REFRIGERATOR DOOR

1	2203453	Refrigerator Door (Includes No.7) (Stainless Steel)
2	2195497	Divider, Bin
3	2182399	Door, Compartment
4	2193409	Beverage Holder
5	2165792	Butter Tray
7	2159083	Door Gasket, Magnetic (Service) (Black)
10	2204454	Handle (Stainless Steel)
11	489463	Screw, 8-18 x 3/8
12	2182178	Door Closer, Upper Cam
13	2159124	Gasket
14	489420	Screw
15	2195950	Bracket, Door Stop (Chrome)
15	2195952	Bracket, Door Stop (Black)
16	2171063	Shelf Bin (4)
17	3400012	Screw
18	2182180	Thimble-Top (For Stainless Steel & VCM Models)
19	2203690	Stud, Handle
20	98654	Set Screw

WHIRLPOOL REFRIGERADOR KSRS25FGSS13

FREEZER DOOR



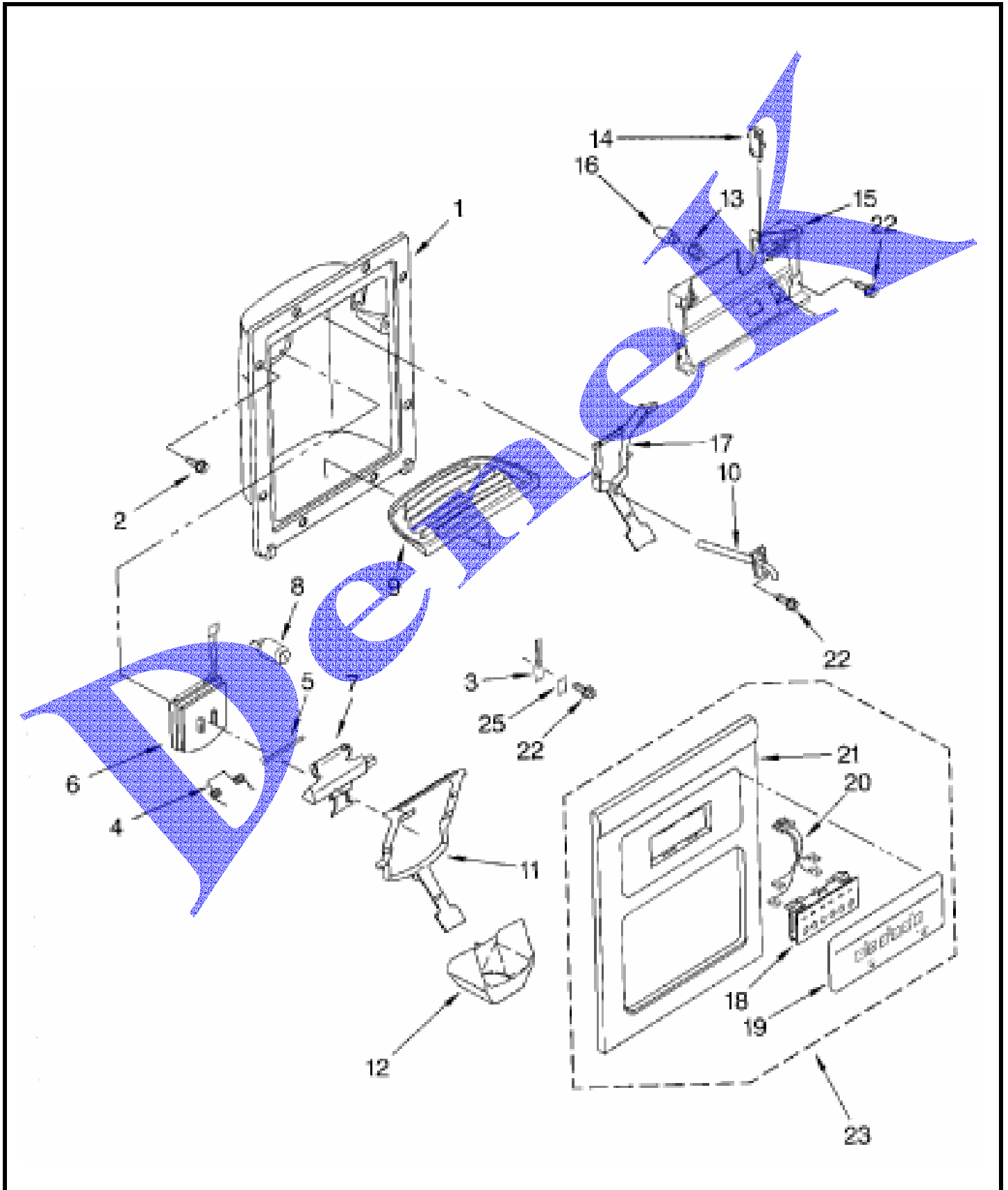
WHIRLPOOL REFRIGERADOR KSRS25FGSS13

FREEZER DOOR

1	2205912	Freezer Door (Includes No.8 And Dispenser Front Parts) (Stainless Steel)
2	2204454	Handle (Stainless Steel)
4	489463	Screw, 8-18 x 3/8
5	3400012	Screw
7	2171070	Shelf Bin (4)
8	2159082	Door Gasket, Magnetic (Service) (Black)
10	2209681	Trim, Door Shelf
12	8281149	Screw
13	2187270	Wire Harness
14	2182179	Door Closer, Upper Cam
15	2154473	Connector
16	489420	Screw
17	2195950	Bracket, Door Stop (Chrome)
17	2195952	Bracket, Door Stop (Black)
18	2182181	Thimble-Top

WHIRLPOOL REFRIGERADOR KSRS25FGSS13

DISPENSER FRONT



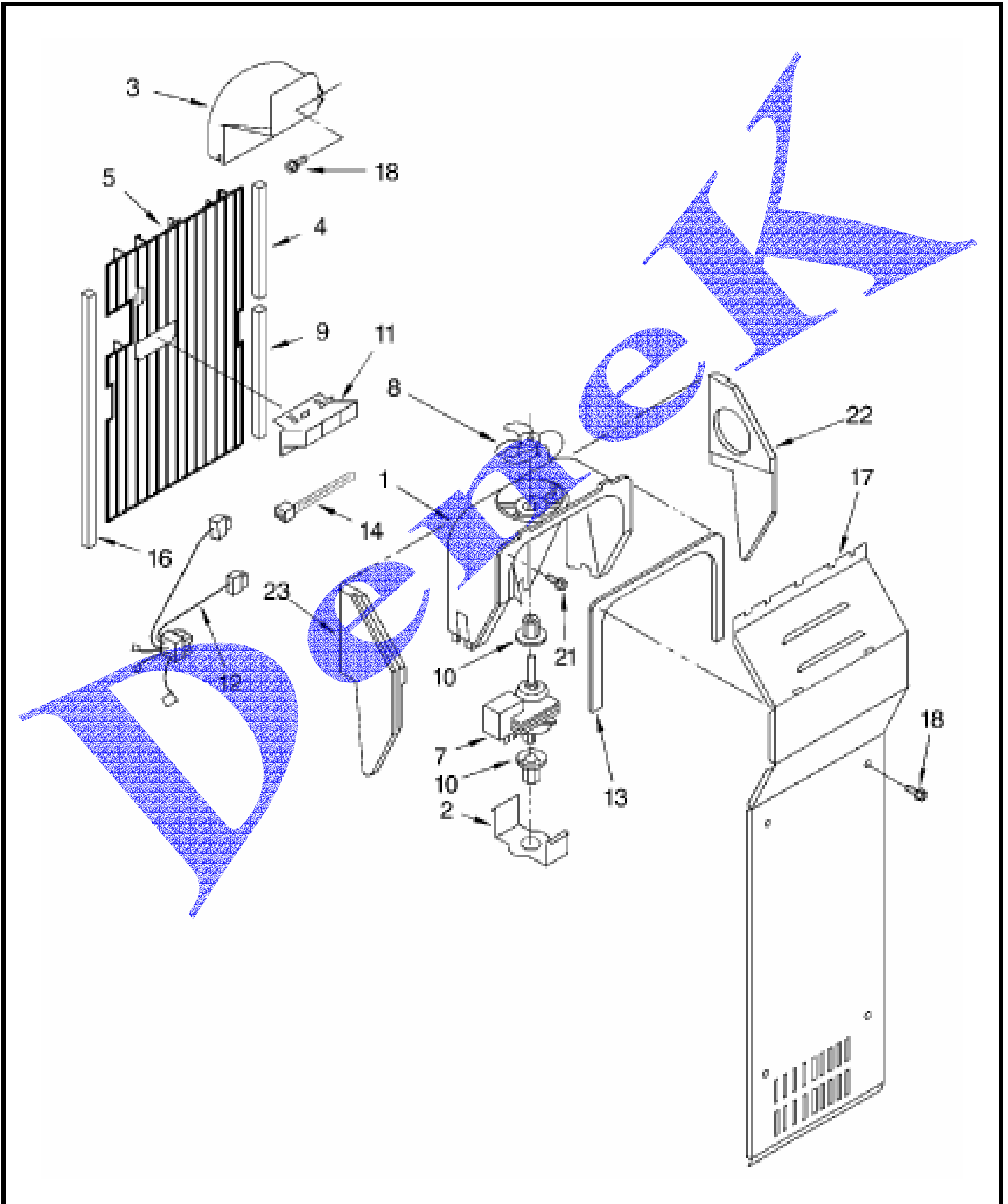
WHIRLPOOL REFRIGERADOR KSRS25FGSS13

DISPENSER FRONT

2	489101	Screw
3	2194719	Retainer, Levers
4	2180209	Spring, Torsion
5	2196195	Pin
6	2180352	Door, Ice
7	2180208	Door Mechanism Assembly
8	2180223	Delay Mechanism
9	2180325	Grille, Overflow (Black)
10	2180225	Water Fitting Assembly (Includes Water Tube)
11	2180261	Lever, Ice Dispenser (Black (Storm Grey Pad))
12	2180224	Guide, Ice
13	2180200	Lamp Holder
14	2162361	Switch (4)
15	2183771	Bracket, Control
16	3406124	Bulb, Light
17	2180270	Lever, Water Dispenser (Black (Storm Grey Pad))
18	2180236	Switch Assembly (Also Order 19)
19	2186515B	Overlay, Front Cover (Black)
20	2196199	Wire Assembly
22	489000	Screw
23	2186511B	Front Cover Assembly (Includes Items 18, 19, 20 & 21) (Black)
25	2195051	Strain Relief

WHIRLPOOL REFRIGERADOR KSRS25FGSS13

AIR FLOW



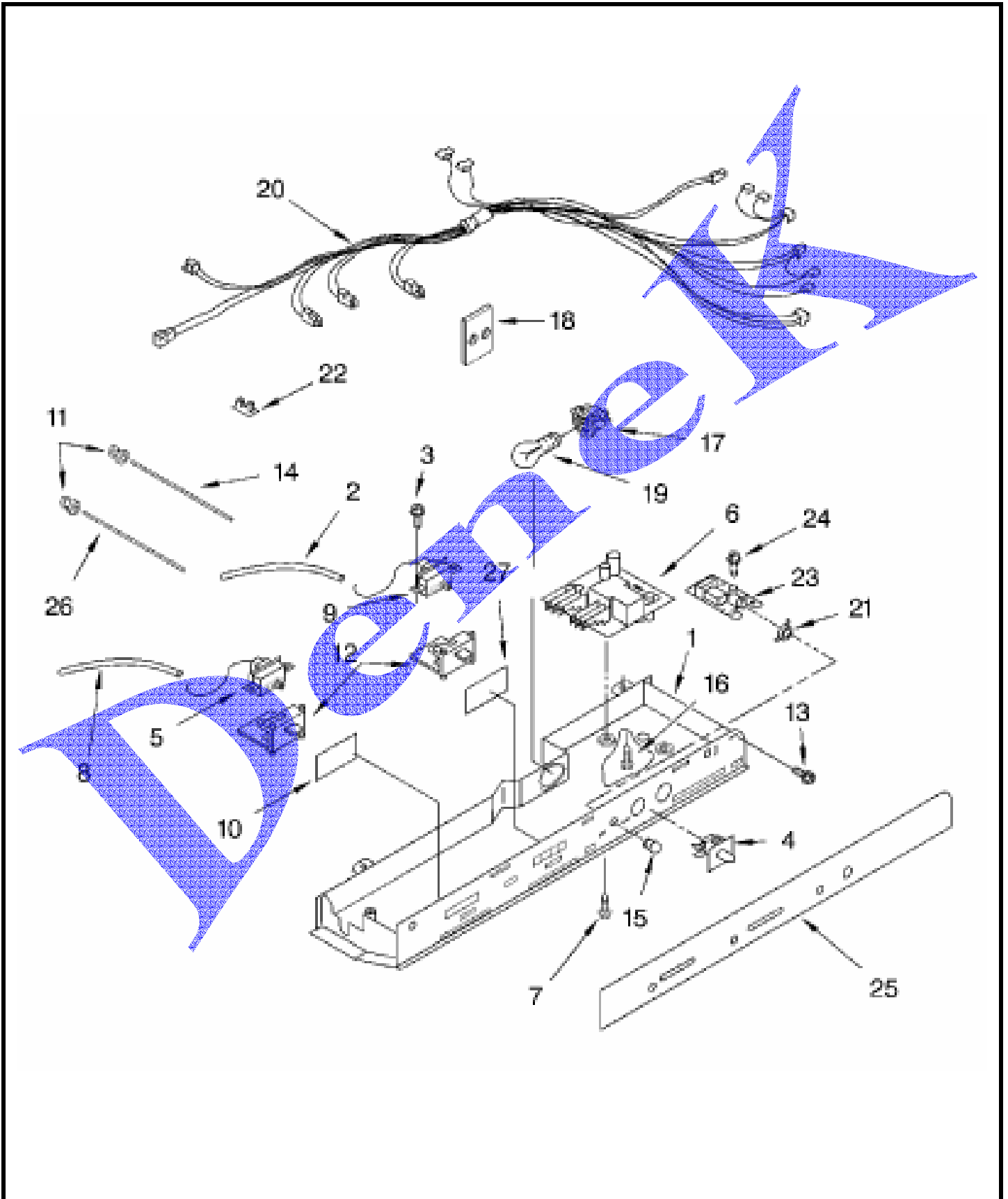
WHIRLPOOL REFRIGERADOR KSRS25FGSS13

AIR FLOW

1	2182120	Fan Scroll
2	2155590	Retainer, Fan Motor
3	2161231	Air Scoop
4	2209607	Gasket
5	2203593	Air Duct Freezer
7	2162404	Fan Motor
8	2169142	Fan Blade
9	2209606	Gasket
10	2176759	Fan Grommet (2)
11	2182146	Duct, Icemaker
12	2186800	Harness, Fan Evaporator, And Heater, Bi-Metal
13	2155789	Gasket, Fan Scroll
14	2172840	Wire Tie
16	2203876	Gasket
17	2203841	Cover, Evaporator (Includes 9)
18	489355	Screw (2)
21	489478	Screw
22	2203595	Support, R.S
23	2203596	Support, L.S

WHIRLPOOL REFRIGERADOR KSRS25FGSS13

CONTROL



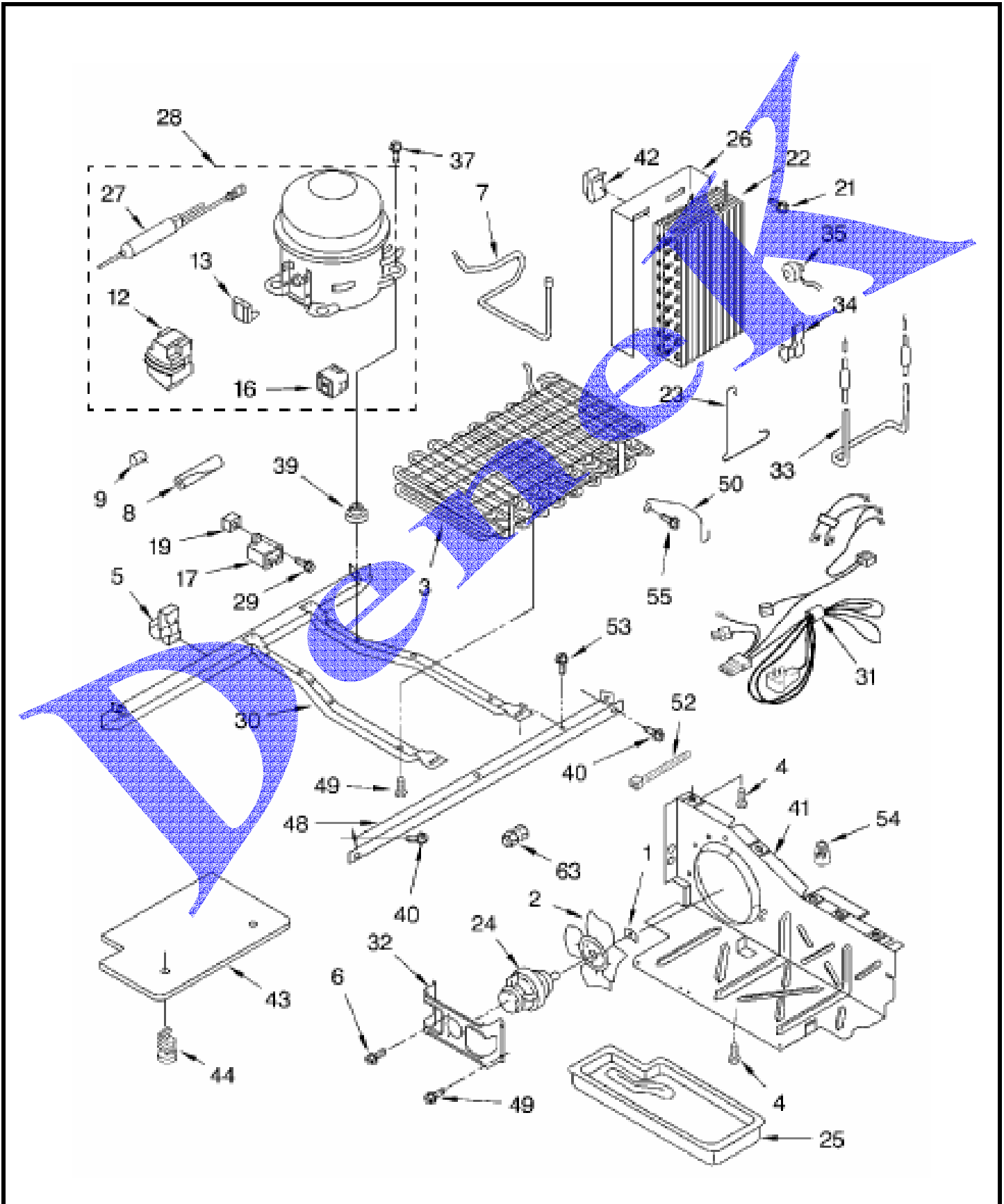
WHIRLPOOL REFRIGERADOR KSRS25FGSS13

CONTROL

1	2200134	Control Box
2	2182150	Tube, Barrier Thermostat (RC)
3	489214	Screw (3)
4	2149705	Light Switch
5	2161461	Thermostat (FC)
6	2188159	Adaptive Defrost Control, P.C. Board Combination
7	489398	Screw (2)
8	2196003	Tube, Barrier Thermostat (FC)
9	2161460	Thermostat (RC)
10	2172940	Window
11	2172906	Grommet, Light Bar
12	2161466	Slide, Thermostat
13	489084	Screw
14	2179920	Light, Bar (RC)
15	2200096	Cover, Light Lens
16	489290	Screw, (2)
17	2162085	Socket, Light (2)
18	2172931	Heat Shield
19	527949	Light Bulb
20	2200442	Control Box Harness
21	2200097	Retainer, Light Lens
22	1115375	Clip, Wiring
23	2203384	Circuit Board, Filter Indicator
24	489214	Screw (3)
25	2200099	Escutcheon, Control Box
26	2179921	Light Bar (FC)
27	2172941	Window

WHIRLPOOL REFRIGERADOR KSRS25FGSS13

UNIT



WHIRLPOOL REFRIGERADOR KSRS25FGSS13

UNIT

1	486692	Speed Nut
2	2190685	Blade, Fan
3	2204242B	Condenser Assembly
4	489464	Screw
5	2208280	Clip, Wire & Tube
6	489099	Screw
7	2204239	Tube Suction
8	2161302	Sleeve
9	2158826	Dampener (2)
12	4387731	Cover (Service Only)
13	4387835	Overload (Service Only, Includes Relay)
16	2204307	Start Device, Combination (Start Relay and Overload) for Production Compressor
17	2169137	Running Capacitor
17	4387764	Capacitor (Service)
19	509812	Screw Grommet
22	2209611	Evaporator
23	2161324	Clip, Defrost Heater
24	2176336	Motor, Condenser
25	1110674	Tray, Evaporator
26	2149294	Heat Shield And Drain Pan
27	2199167	Drier (Production)
28	2183455	Compressor (Includes Items 12, 13, 15, 17, 27 & 38) (Also Order
28	876765	Tube Kit
29	488687	Screw
30	2157396	Unit Mounting Frame
31	2188346	Unit, Harness
32	2181929	Bracket, Fan Motor
33	2188175	Heater, Defrost
34	2161330	Clip, Heater
35	2196155	Bi-Metal, Defrost
37	489387	Screw
39	2183042	Grommet (4) (Service)
40	489340	Screw
41	2196202	Air Baffle
42	2155547	Clip, Heat
43	2206281	Unit Cover, Bottom
44	489396	Clip
48	1127906	Unit Mounting Rail
49	488624	Screw, 8-15 x .375
50	2186495	Guard, Fan
52	2172840	Wire Tie
53	489427	Screw
54	227991	Wire Connector
55	488649	Screw
63	978028	Valve, Access (1/2``)
63	978030	Valve, Access (3/4``)
63	978026	Valve, Access (5/16``)

63 2196152 Union
63 978029 Valve, Access (5/8``)
63 978025 Valve, Access (1/4``)
63 876764 Valve, Access (3/16``)
63 978027 Valve, Access (3/8``)

WHIRLPOOL REFRIGERADOR KSRS25FGSS13

ICE MAKER, OPTIONAL

1	489084	Screw
2	2196157	Fitting, Water Tube
3	2186493	Tube, Filter Outlet
4	2186492	Tube, Filter Inlet
5	628379	Clip, Fuse
6	2200083	Nut, Compression
7	2181940	Tube, Water
9	489478	Screw
10	2205762	Valve, Solenoid
11	627018	Nut, Compression
14	489385	Tube Clamp
18	2174155	Cover
19	488649	Screw
20	542638	Grease, Silicone (1/2 Oz.)
20	628228	Mold & Heater Assembly (Also Order 542638)
22	628356	Cup, Water Fill
23	2194711	Ejector
24	2182124	Ice Striper
25	2194712	Support
26	627796	Retainer, Thermostat
27	628397	Thermostat (Also Order 542369 Cement Alumilastic)
27	542369	Cement Alumilastic
28	489322	Screw
30	489276	Screw
31	2171593	Shut Off Arm
32	628256	Harness, Wiring
33	628320	Bracket
35	628399	Module Assembly (Includes Item 27)
36	488208	Screw
37	628398	Motor
38	489136	Screw
40	1129179	Nut, Compression
100	72017	PAINT, TOUCH-UP (1/2oz.) (White)
100	505587	Sealer, Mastic (1 Qt.)
100	4392899	Brush Touch-Up Kit (Biscuit)
100	4392900	Enamel, Biscuit (1 Qt. Uncut)
100	542638	Grease, Silicone (1/2 Oz.)
100	799340	PAINT, BULK (1 qt.) (Black)
100	4392901	Enamel, Biscuit (13 Oz. Spray Can)
100	212643	Sealer, Gum (4 Feet)
100	350930	PAINT, PRESSURIZED SPRAY (12 oz.) (White)
100	479502	Tape, Vinyl (3/4 x 108``)
100	72032	PAINT, TOUCH-UP (1/2oz.) (Black)
100	72107	Brush Touch-Up Kit (Almond)
100	833938	Kit, Terminal Connector
100	1117510	Torx Key

100	876029	Kit, Foam Slab (30`` x 32-1/2`` x 1-1/2``)
100	978883	Enamel, Almond (1 Qt. Uncut)
100	876370	Kit, Insulation (2 Pcs. 3`` x 24`` x 48``)
100	799833	Kit, Evaporator Repair (Aluminum Epoxy)
100	2149072	Ice Crusher Assembly
100	978941	Insulation, Fiberglass (63-1/2`` x 35-1/2`` x 2-5/8``)
100	511873	Touch-Up, White Porcelain (2 Oz.)
100	350939	PAINT, PRESSURIZED SPRAY (12 oz.) (Black)
100	350956	Enamel, Almond (13 Oz. Spray Can)
100	606755	Bag, Insulation (36-5/8`` x 46``)
100	876305	Kit, Insulation (14 Pcs. 3`` x 24`` x 48``)
100	542639	Cement, Alumilastic (1-1/4 Oz.)
100	799344	PAINT, BULK (1 qt.) (White)
100	2204349	Ice Container Assembly
100	350942	PAINT, PRESSURIZED SPRAY (12 oz.) (Primer, White)
100	4317943	Complete Icemaker Assembly
100	503695	Cork, Sealer (1/4 Pound)