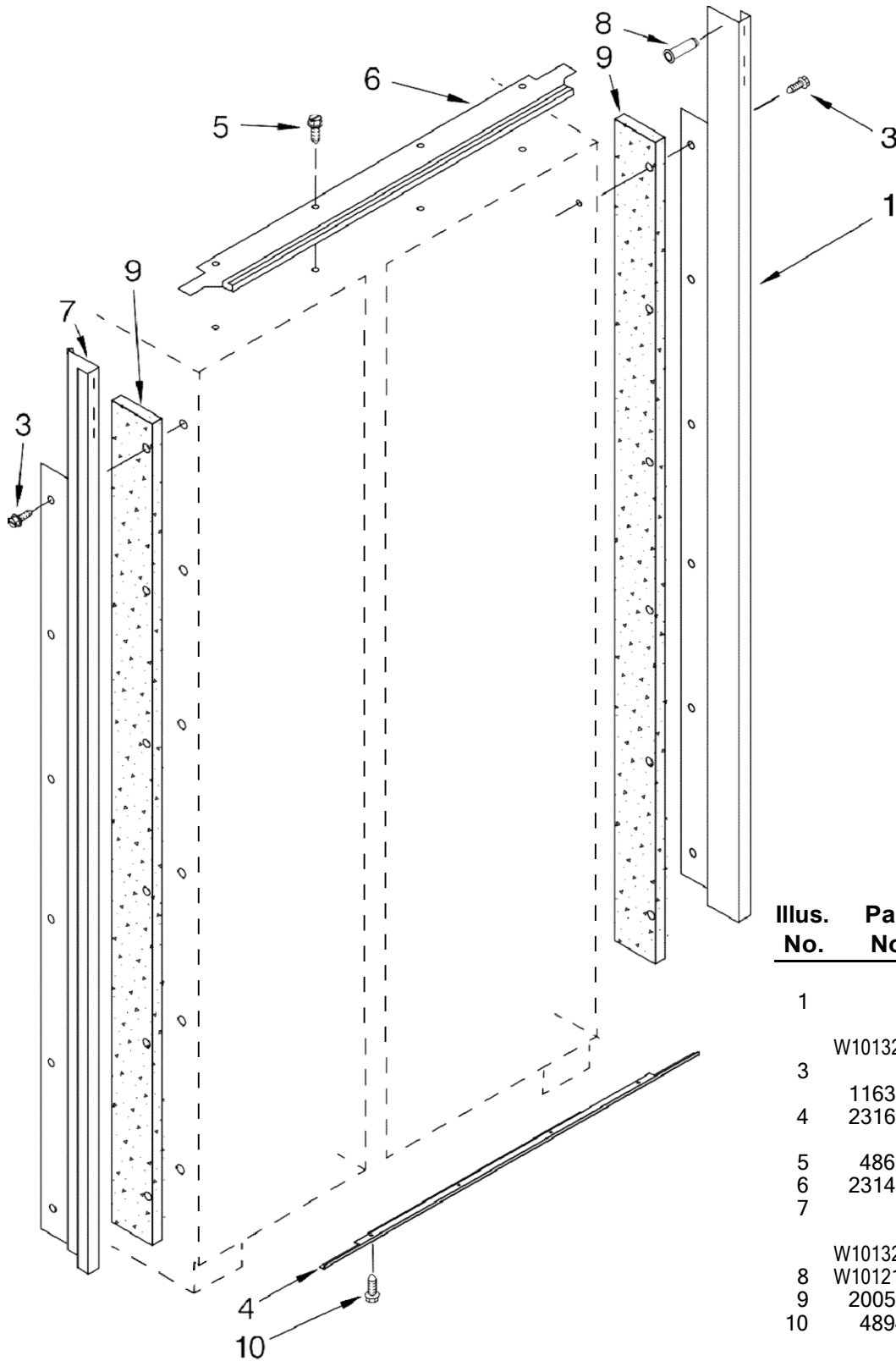


FOR ORDERING INFORMATION REFER TO PARTS PRICE LIST

BENITO JUÁREZ #1500 GPE ZITON, CD. GUADALUPE NUEVO LEÓN TEL: 8183377999 Y 49  
 HORARIOS: LUNES A VIERNES 8:30 A 6:00 PM Y SÁBADOS DE 8:30 A 2:00 PM

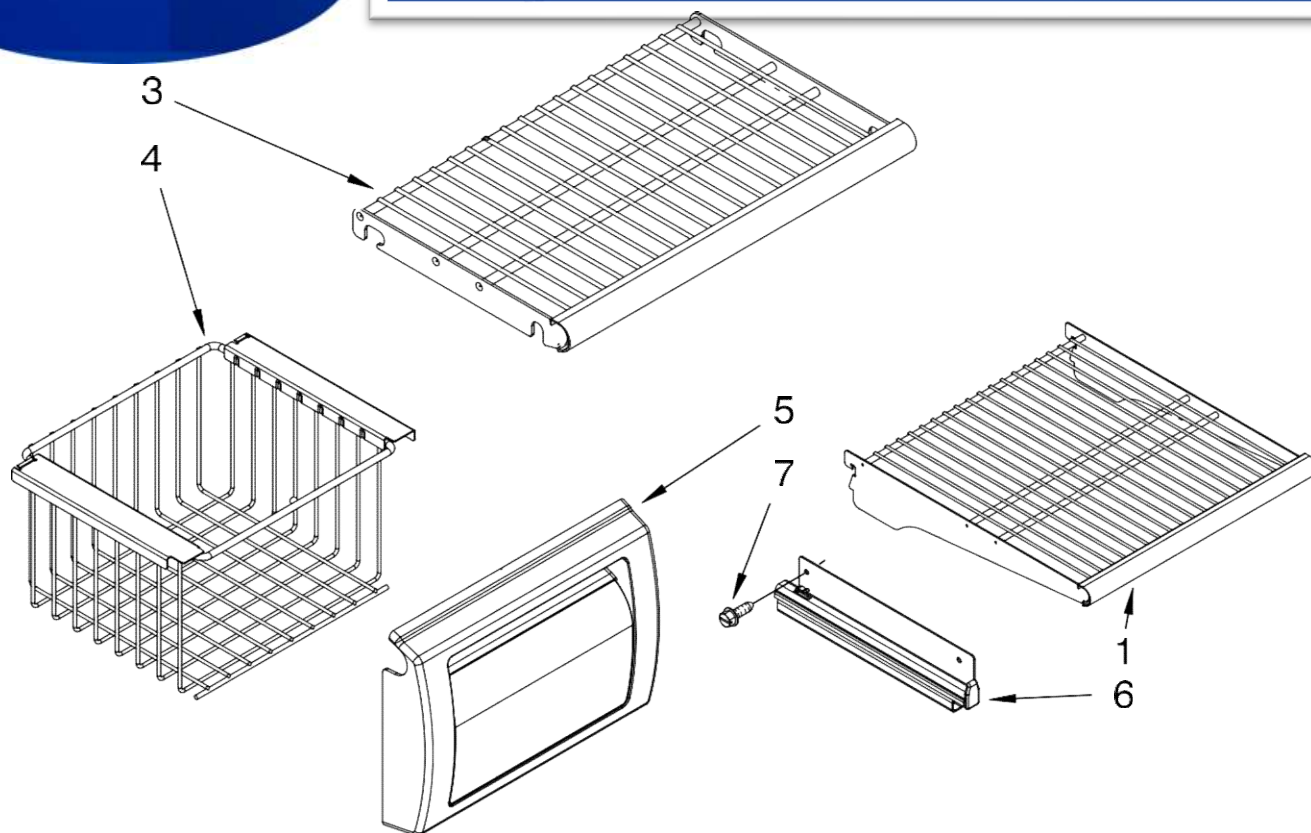
[www.denek.com](http://www.denek.com)

Illus. No.	Part No.	DESCRIPTION	Illus. No.	Part No.	DESCRIPTION	Illus. No.	Part No.	DESCRIPTION
1		Literature Parts	11	2005783	Cam, Door Closer	33		Extension Arm, Door Closer
	W10161714	Use & Care Guide	12	2260526	Housing, Water Filter		2266882	Right
	W10163489	Energy Guide					2266881	Left
	W10159832	Service & Wiring Sheet	13	2318189	Tray, Drip Filter	34		Grille Bottom, Front
	2306424	Icemaker and Ingredient Care Center Service Sheet	14	3400525	Screw		2325186B	Black
	2318069	Main Control Service Sheet	15	4396841	Filter, Water	35	2005921	Screw
	2316565	Installation Instructions	16	489399	Screw	36		Bracket, Support Base (Front)
2		Cabinet (Not A Serviceable Part)	17	3400230	Screw, Door Stop		2006616	Left
3	2260503B	Button, Filter	18	2257644	Hinge (Top)		2006556	Right
4	W10138054	Roller, Front & Rear (4)	19	2318190	Bracket, Mtg (Water Filter)	37	1157158	Screw
5		Support, Leveler Assembly	20	489464	Screw	38	2006617	Bracket, Support Base (Rear) (2)
	2318194	Refrigerator Side	21	2004994	Lock, Adjustable Bushing	39	2006346	Washer
	2318193	Freezer Side	22	2300082	Bushing	40	2266880	Bushing, Extension Arm
6	2005032	Leveler, Adjustable (2)	23	488649	Screw	41	1163283	Screw
7	2006841	Ring, Retaining (2) Flexible	24		Spring, Door Closure	42		Connector, Water Tube
8		Cap, Water Filter		2221242	Right Side		2209709	5/16-1/4"
9	2260518B	Black		2004517	Left Side		2300868	1/4"
10	2307640	Mounting Stud, Grille	25	486194	Screw	43	8281163	Screw
	2307584	Grommet, Crossover Tube	26	2005008	Retaining Ring, Adjustable Bushing	44		Switch, Rocker Arr
			27 W	10129069	Wire Clip (5)		1118894	Refrigerator Door Side
			28	2006342	Gap, Cover Assembly (Bottom)		1115373	Freezer Door Side
			29		Hinge (Bottom)	45	2215938	Cover, Switch (2)
				2006780	Freezer Side	46	487415	Screw (2)
				2006779	Refrigerator Side	47		Bracket, Switch
			30	2302876	Bushing, Adjustable		2221097	Right
			31	8533913	Screw 1/4-20 x 5/8		2221096	Left
			32		Skirt-Grille, Bottom	48	2215612	Cover, Rear
				2209026B	Black			

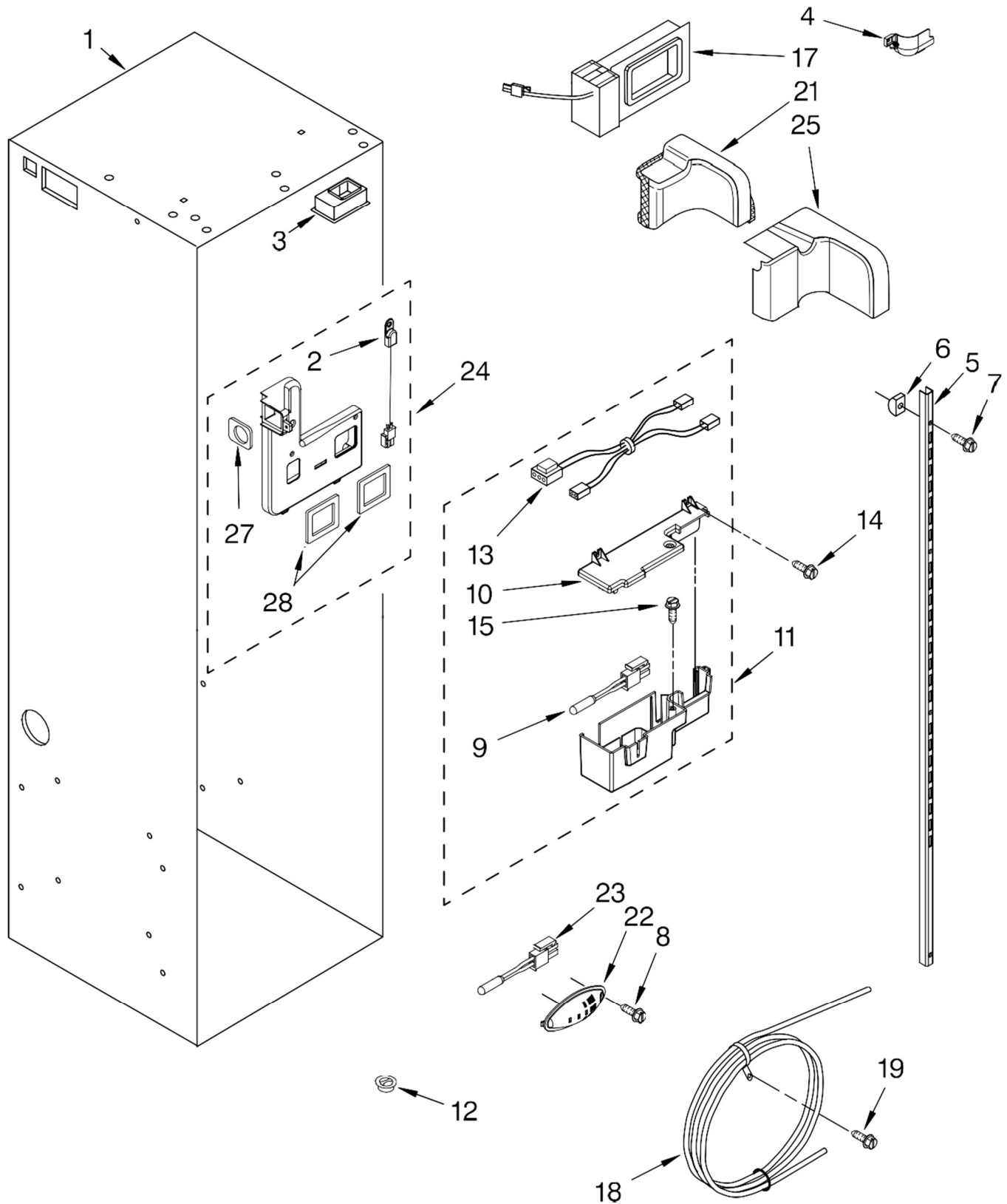


Illus. No.	Part No.	DESCRIPTION
------------	----------	-------------

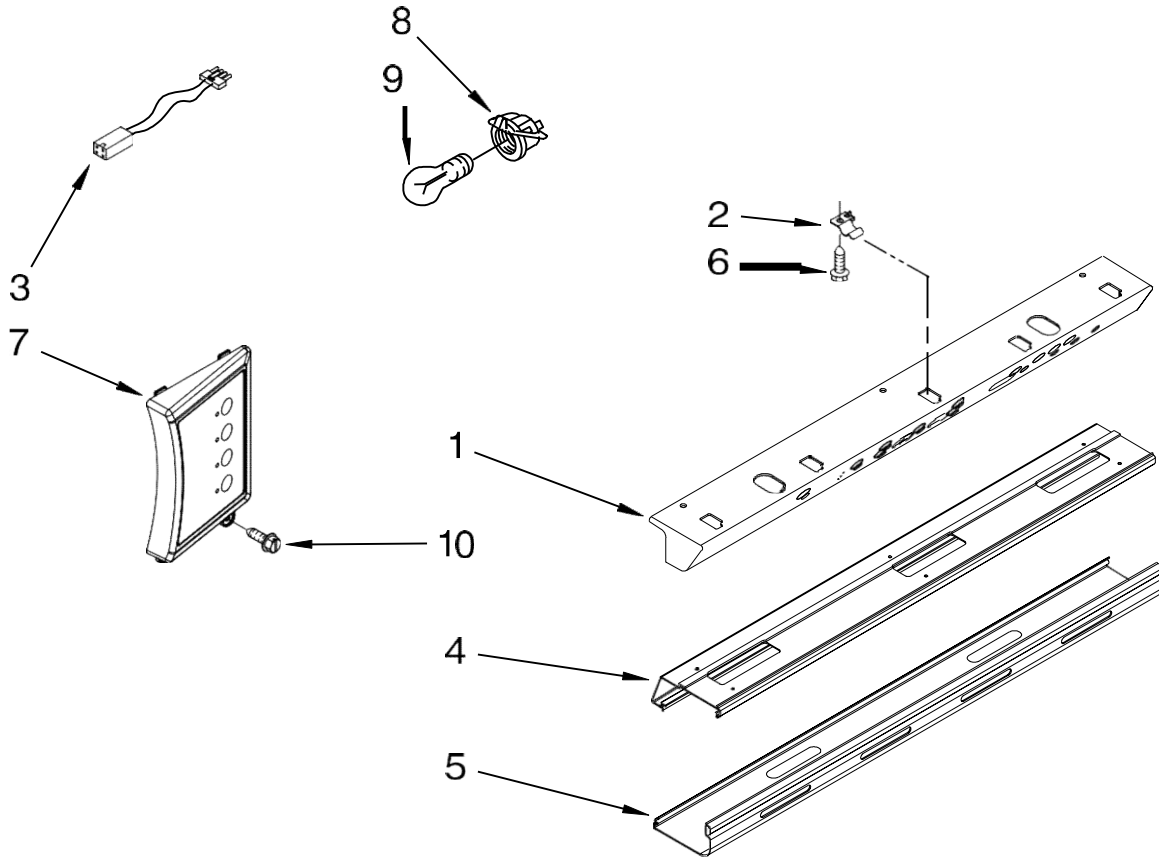
1		Cabinet, Trim (Right Side)
	W10132472	Stainless Steel
3		Screw
	1163283	Stainless Steel
4	2316688	Cabinet, Trim (Bottom)
5	486194	Screw
6	2314018	Cabinet, Trim Top
7		Cabinet Trim (Left Side)
	W10132541	Stainless Steel
8	W10121451	Nutsert (4)
9	2005925	Seal-Trim, Side
10	489464	Screw



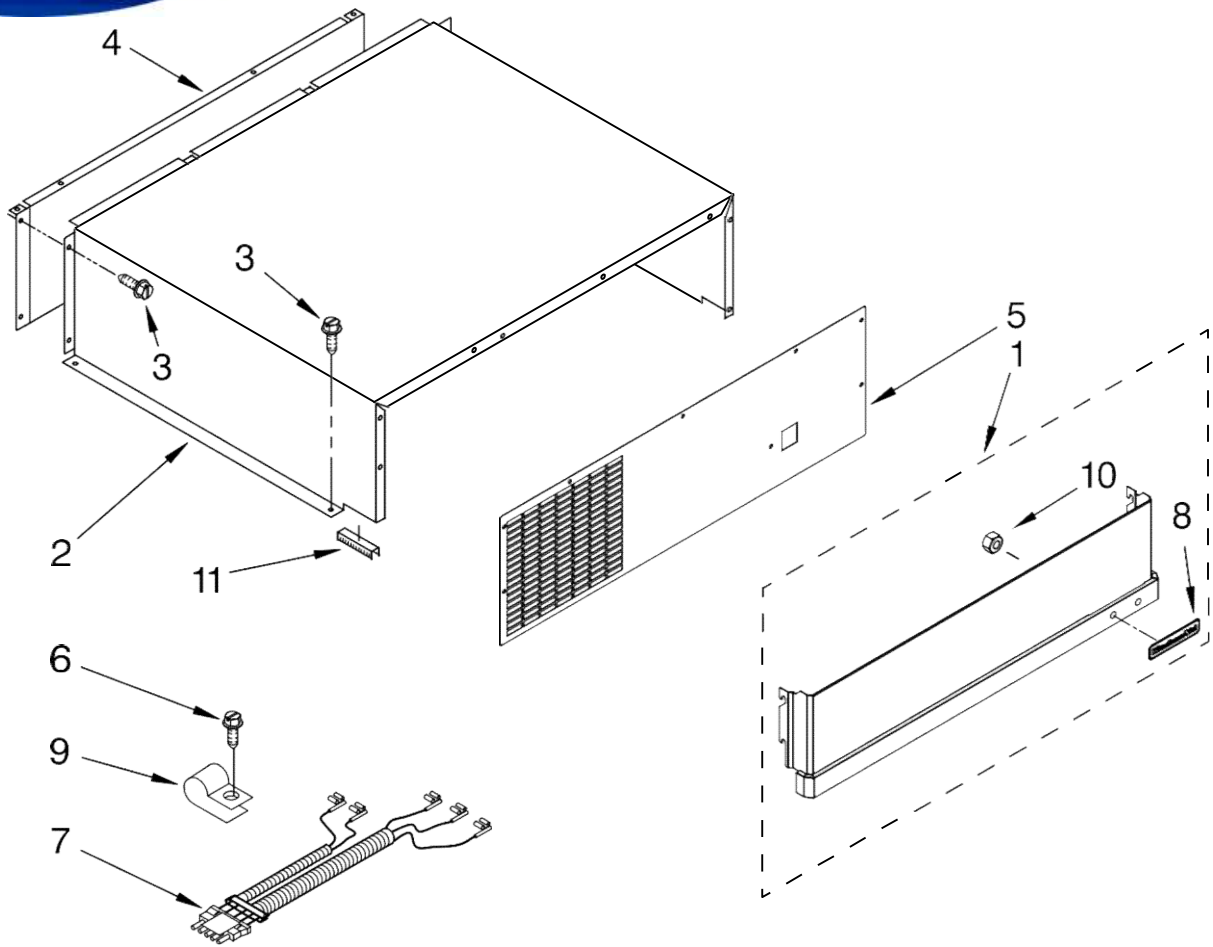
Illus. No.	Part No.	DESCRIPTION
1	2302869	Wire, Shelf (4)
3	2302884	Shelf, Fixed (2)
4	2259083	Basket
5	2256271	Front, Basket
6	2259317	Slide, Basket
	2259318	Right Side
	2259318	Left Side
7	8533928	Screw



<b>Illus. No.</b>	<b>Part No.</b>	<b>DESCRIPTION</b>
1		Liner (Not A Serviceable Part)
2	2306010	Thermistor
3	2208970	Air Duct
4	2003577	Guard, Air Return
5	2259077	Ladder, Shelf (2)
6	520965	Screw Support, Ladder (8)
7	2006475	Screw
8	487539	Screw
9	2302937	Thermistor
10	2302986	Lid, Meat Pan Baffle
11	W10169528	Baffle Control Assembly
12	2171846	Release Valve
13	2310205	Jumper, Air Baffle
14	488357	Screw
15	486194	Screw
17	2221296	Air Baffle Assembly
18	2327509	Reservoir
19	488280	Screw
21	2309222	Diffuser Assembly
22	2317105	Cover, Thermistor
23	2188820	Thermistor
24	2302992	Spacer, Air-Baffle
25	2309087	Cover, Diffuser
27	2259412	Seal, Air Duct (Round Hole)
28	2259398	Seal, Air Duct (Square Hole)

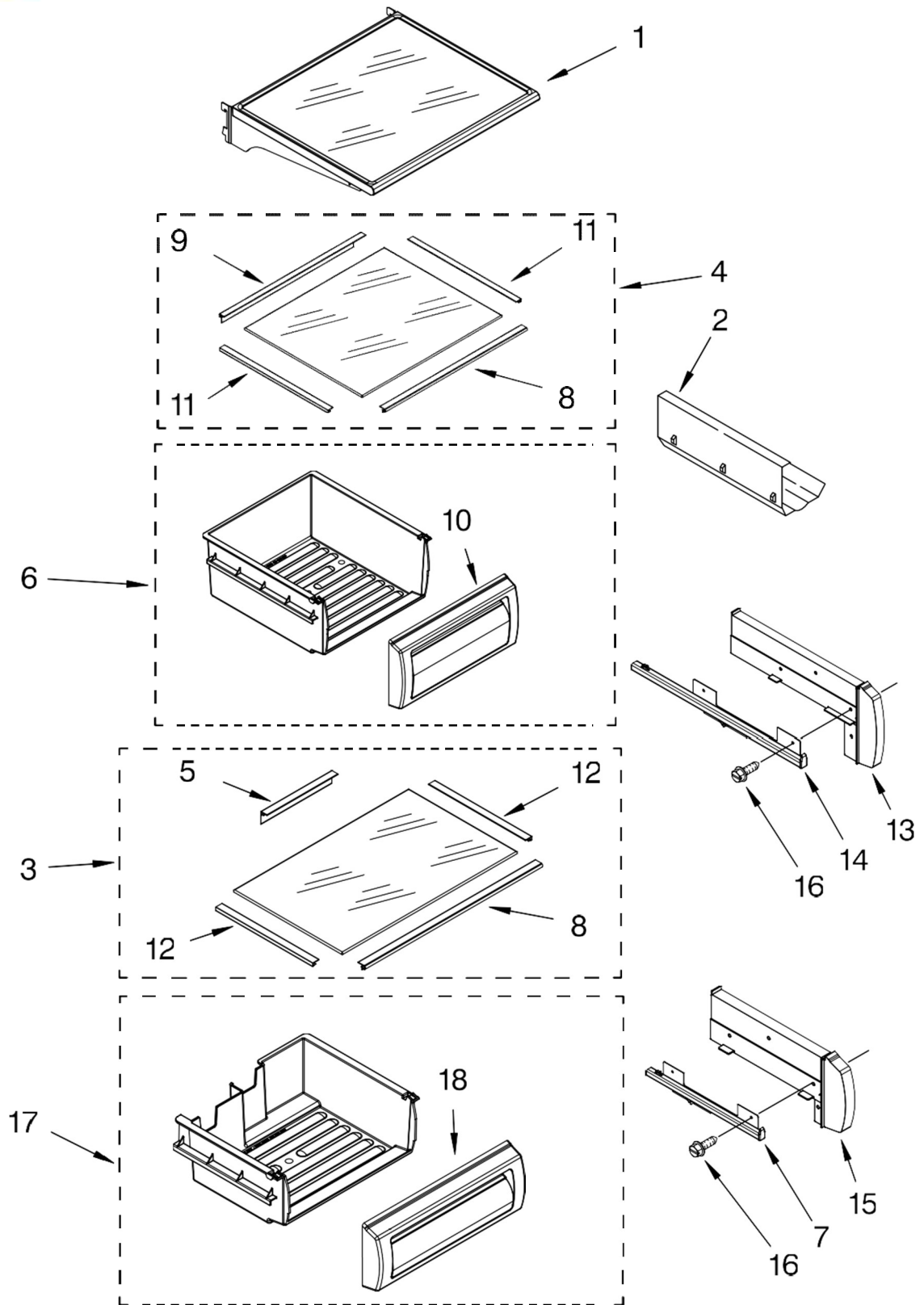


Illus. No.	Part No.	DESCRIPTION
1	2316546	Control Box
2	2317000	Clip, Box
3	2310390	Wire, Jumper
4	2324973	Bracket, Control Box
5	2307596	Shield, Control Box
6	487539	Screw (2)
7	2306086	Display, Ingredient Care Center
8	2223857	Socket, Light
9	2326255	Light Bulb (2)
10	8281185	Screw

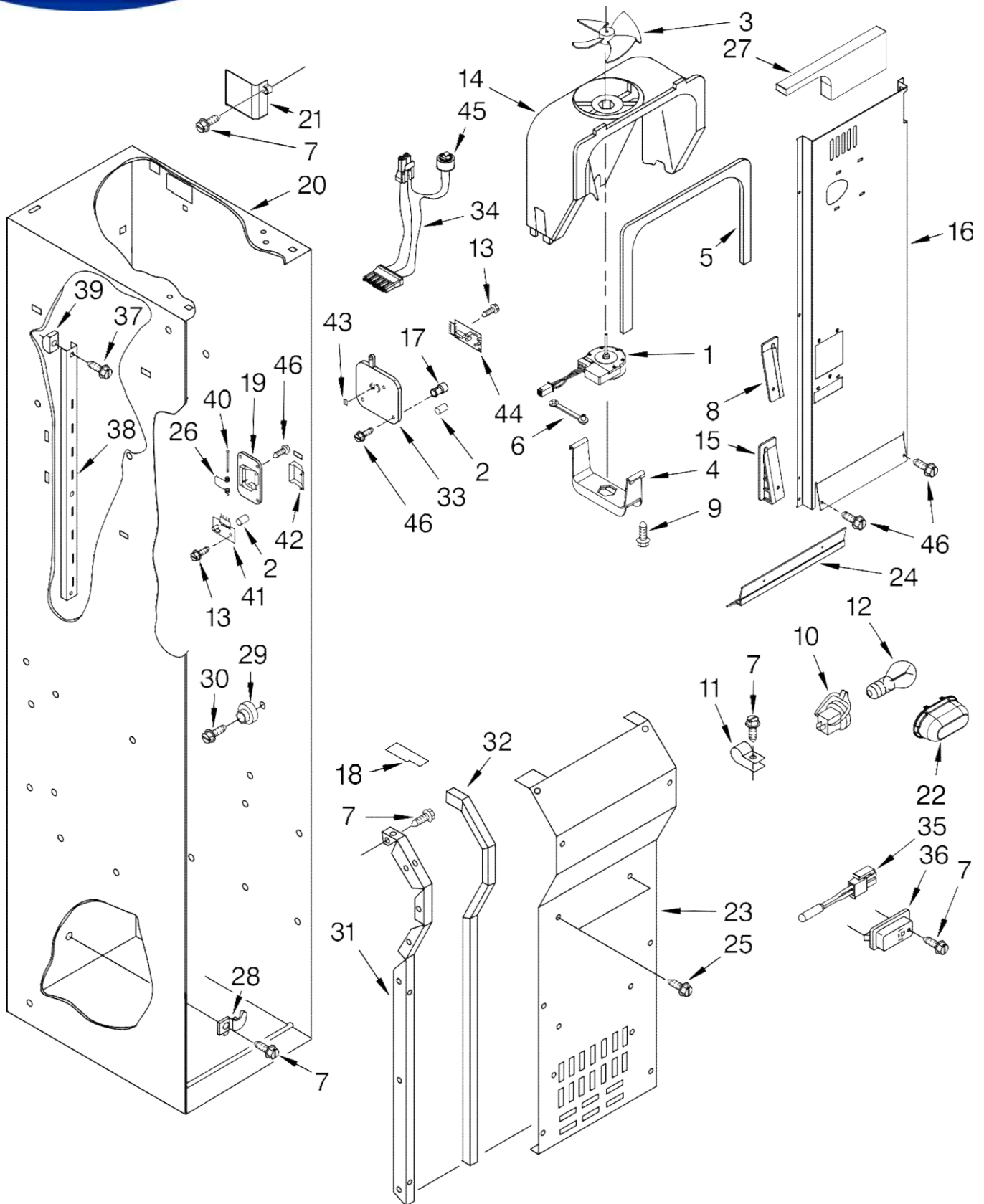


Illus. No.	Part No.	DESCRIPTION
1	2316738S	Panel, Decorative Assembly Stainless Steel
2	W10161693	Cover, Unit
3	486194	Screw
4	2256466	Back Panel
5	W10121229	Cover, Unit Front
6	487415	Screw
7	2310194	Wire Assembly RC/FC Light Switch
8	2317923S	Badge, Kitchen Aid
9	489348	Clamp
10	2004333	Nut
11	2215910	Grommet, Flexible





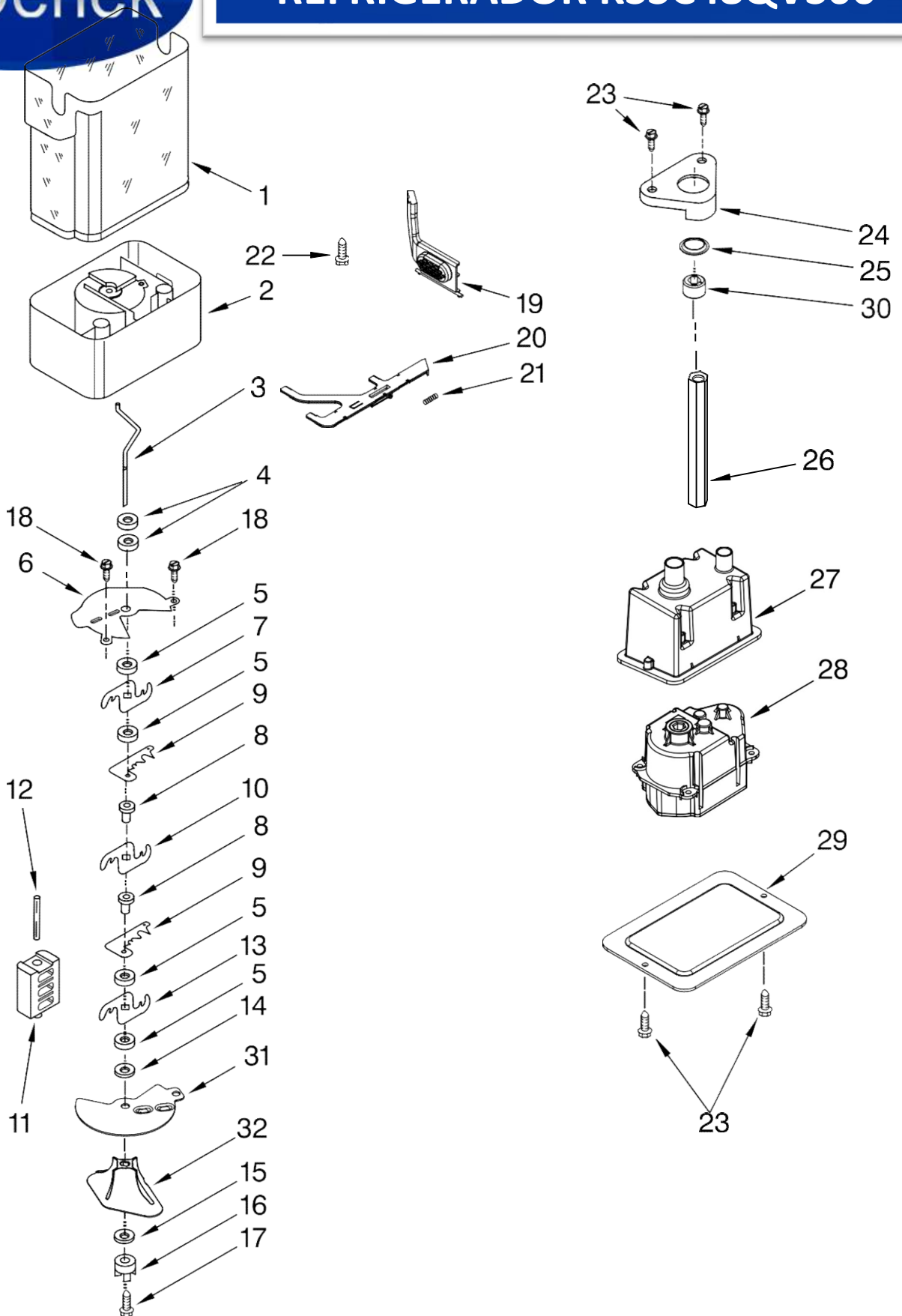
Illus. No.	Part No.	DESCRIPTION
1	2222593	Shelf Assembly (4)
2	2179404	Rack, Wine
3	2302843	Assembly, Meat Pan Cover
4	2302836	Assembly, Crisper Cover
5	2257583	Trim, Glass Rear
6	2252413	Crisper Pan (2)
7		Slide, Meat Pan
	2302954	Left Side
	2302955	Right Side
8		Trim, Glass Front (Not Serviceable)
9	2256255	Trim, Glass Rear
10	2256249	Front, Crisper Pan
11	2252255	Trim, Glass Side Crisper Pan
12	2256250	Trim, Glass Side Meat Pan
13		Spacer, Crisper
	2256222	Right Side (2)
	2256223	Left Side (2)
14		Slide, Crisper
	2302956	Right Side
	2302957	Left Side
15		Spacer, Meat Pan
	2256243	Left Side
	2256244	Right Side
16		Screw
	8533929	Right Side- (8-18 x 1.375)
	8533928	Left Side- (8-18 x .750)
17	2256370	Pan Assembly Meat
18	2256367	Front, Meat Pan



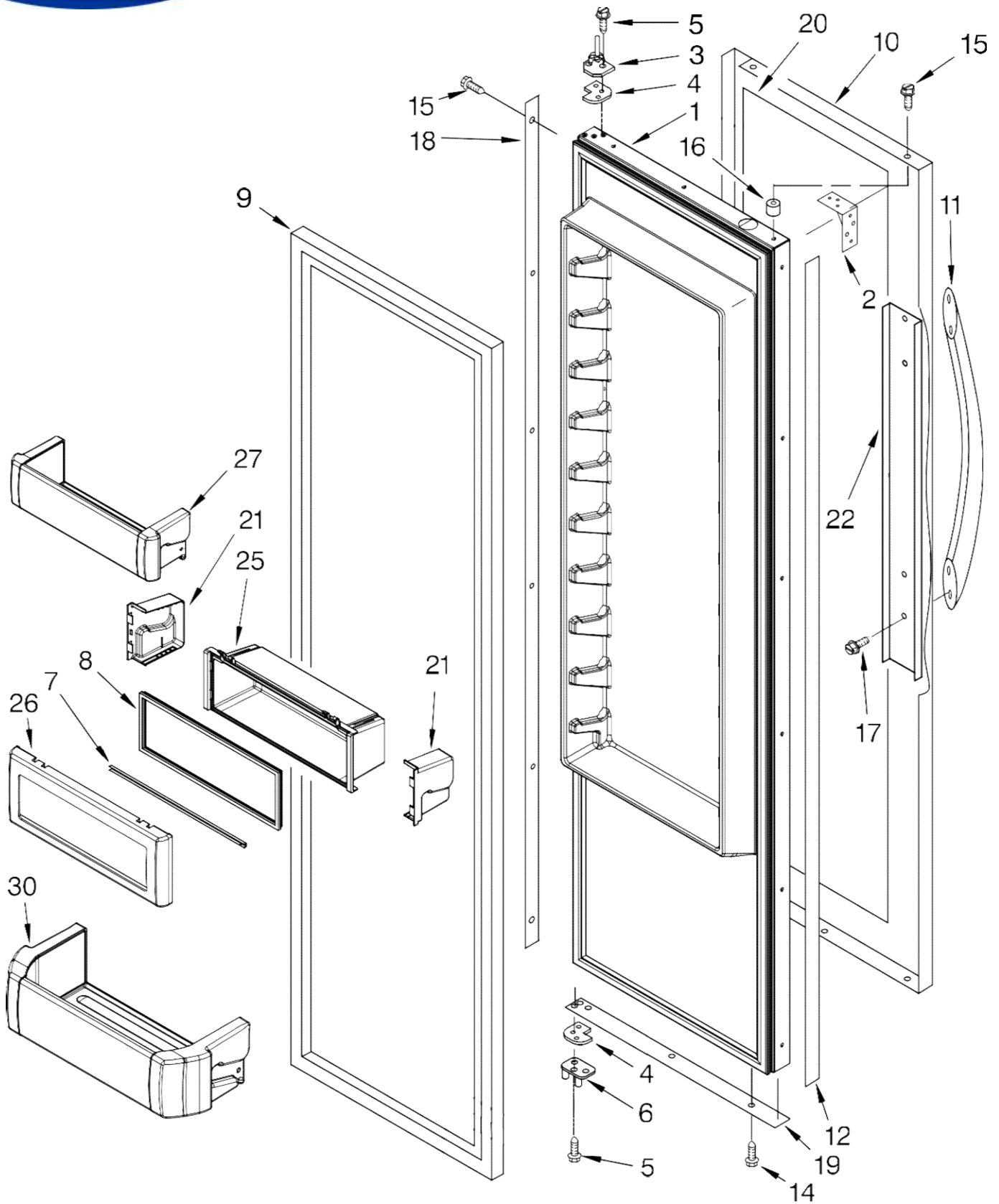
Illus. No.	Part No.	DESCRIPTION
1	2259385	Fan Motor
2	2198665	Tube, P.C. Board
3	2169142	Fan Blade
4	2223733	Retainer, Fan Motor
5	2302817	Gasket, Cover
6	2223986	Grommet
7	486194	Screw
8	2259464	Wedge, Air Duct
9	488500	Screw, Ground
10	2223857	Socket, Light (2)
11	488937	Clamp, Nylon
12	2326255	Light Bulb
13	489214	Screw
14	2182120	Scroll, Fan
15	2259465	Wedge, Air Duct
16	2307775	Air Duct
17	2198643	Lens
18		Block, Fan Scroll
	2209482	Right
	2209066	Left

Illus. No.	Part No.	DESCRIPTION
19	2215650	Cover, Emitter
20		Liner (Not A Serviceable Part)
21	2259025	Cover, Air Outlet
22	2307751	Light Shield
23	W10158005	Cover, Evaporator
24	2302851	Support, Air Duct
25	487539	Screw
26	2198635	Spring
27	2309284	Deflector, Air Duct
28	1112260	Support, Evaporator
29	2196483	Shelf, Stud (20)
30	8281158	Screw
31		Evaporator, Cover Rail
	2221107	Left Side
	2259355	Right Side

Illus. No.	Part No.	DESCRIPTION
32	2220904	Gasket (2) Evaporator Cover
33	2259493	Cover, Receiver
34	W10139185	Harness, EvapFan (Includes Item 45)
35	2306010	Thermistor
36	2317105	Cover, Thermistor
37	2006475	Screw
38	2259032	Ladder, Shelf
39	2259445	Support, Screw
40	2198634	Pin
41	2220398	P.C. Board Emitter
42	2198633	Flipper
43	2255563	Slide, Icemaker Shut Off
44	2255114	P.C. Board, Receiver
45 W	10160570	Defrost, Bi-Metal
46	8281185	Screw

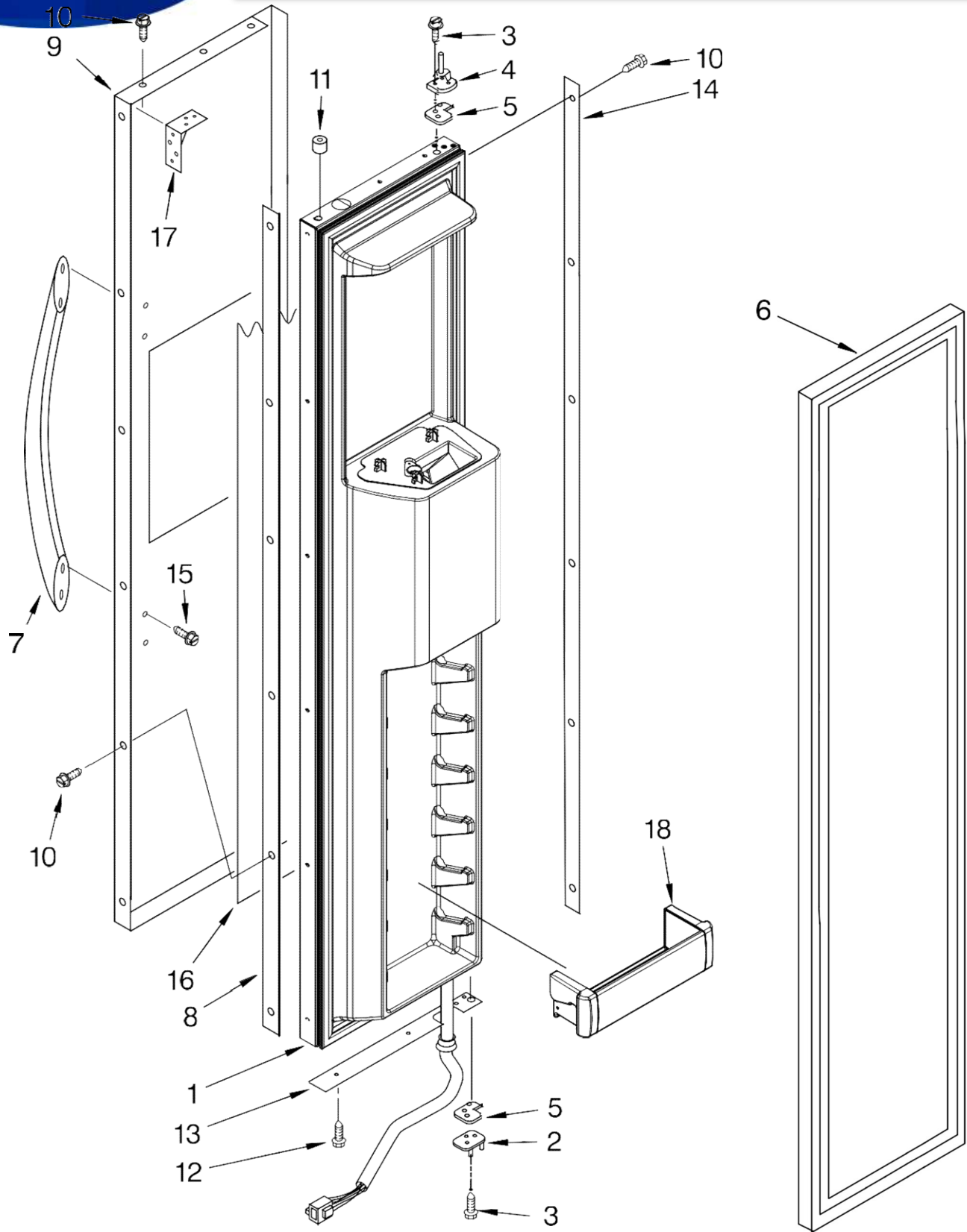


<b>Illus. No.</b>	<b>Part No.</b>	<b>DESCRIPTION</b>
1	2222970	Ice Bin
2	W10134777	Crusher Bin
3	W10140642	Auger
4	2258220	Washer, Auger
5	1119007	Spacer, Flat (6)
6	2317248	Cover, Crusher
7	2257024	Blade, Rotary
8	1119005	Spacer, Step (2)
9	2257020	Blade, Fixed
10	2257023	Blade, Rotary
11	2317239	Block, Blade
12	489229	Roll Pin
13	2257022	Blade, Rotary
14	489235	Washer, Plain
15	2198661	Washer, Coupling
16	2188918	Coupling, Top
17	8281164	Screw
18	3400065	Screw
19	2252265	Button, Bin
20	W10134785	Latch, Bin
21	2198608	Spring, Latch
22	2198671	Screw (2)
23	8281163	Screw
24	2188919	Holder
25	2198628	Seal
26	2318030	Drive Shaft
27	2318011	Enclosure, Motor
28	2315546	Dispenser, Motor
29	2318028	Cover
30	2315559	Sleeve, Coupling
31	2317250	Divider, Chamber
32	2317243	Wiper

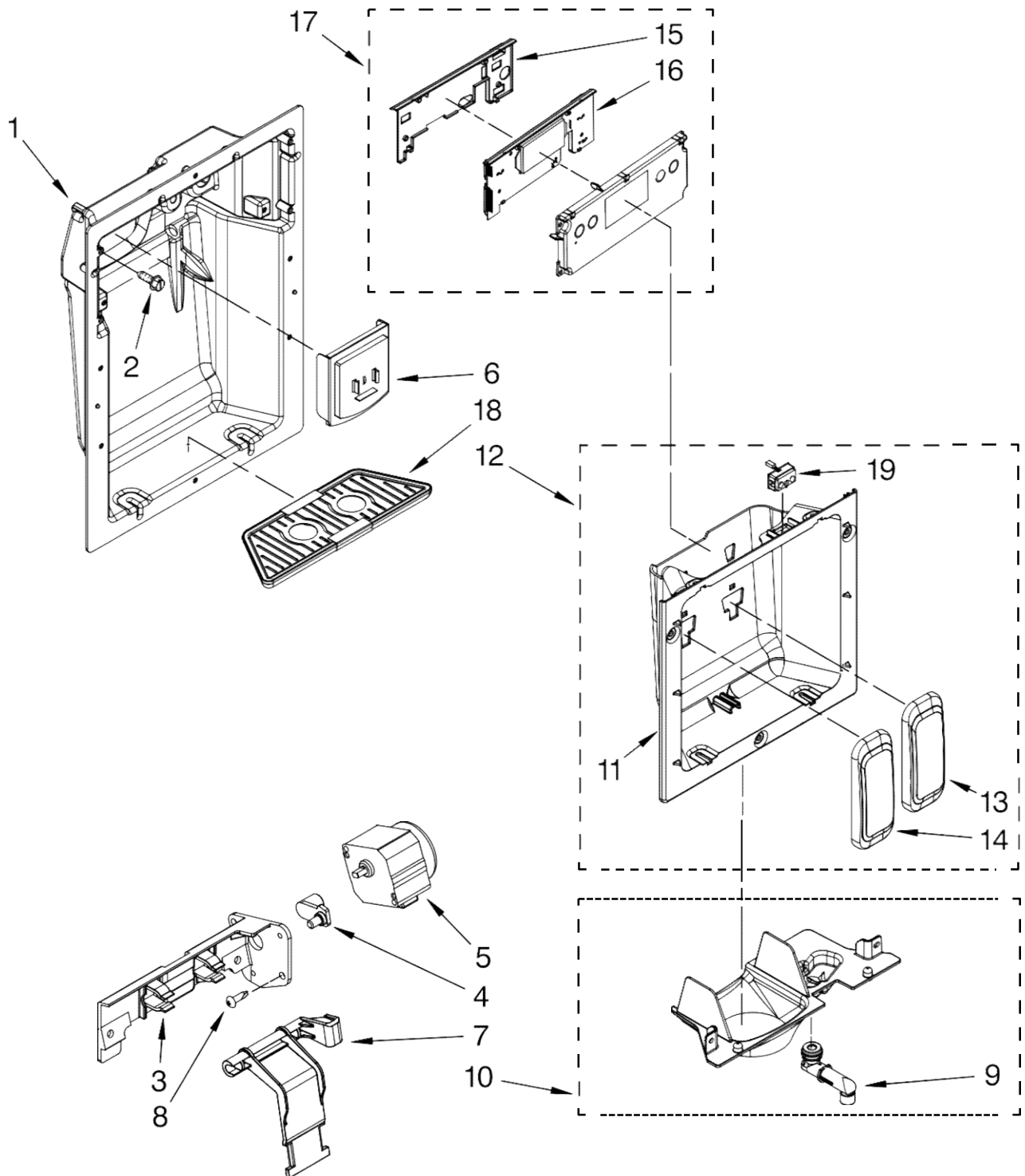


Illus. No.	Part No.	DESCRIPTION
1	2252331	Refrigerator Door Panel (Includes Item #9)
2	2258951	Brace, Door Corner
3	2266854	Hinge Assembly, Top
4	2316804	Spacer-Door, Top & Bottom
5	489282	Screw
6	2302878	Hinge Assembly, Bottom
7	2222797	Rail, Lid
8	2222983	Gasket, Utility Bin
9	2222812	Door Gasket, Magnetic
10		Skin, Door
	2307754	Stainless Steel
11		Handle, Door
	2316868	Stainless Steel
12		Spacer, Door-Skin (Handle Side)
	2309060	For Stainless Steel Model
14	488568	Screw
15		Screw, 8-15 x .500
	8281250	Stainless Steel
16	2005433	Spacer, Door-Skin (Top)
17	308544	Screw, Handle
18	2005030	Spacer, Door-Skin (Hinge Side)
19	2004935	Spacer, Door-Skin (Bottom)
20	2005327	Filler, Door
21		End Cap
	2222919	Right Side
	2222920	Left Side
22	W10127710	Plate, Door-Handle
25	2222923	Bin, Utility Center
26	2257617	Door, Utility Bin
27	2222774	Bin, Door (3)
30	2222771	Bin, Door

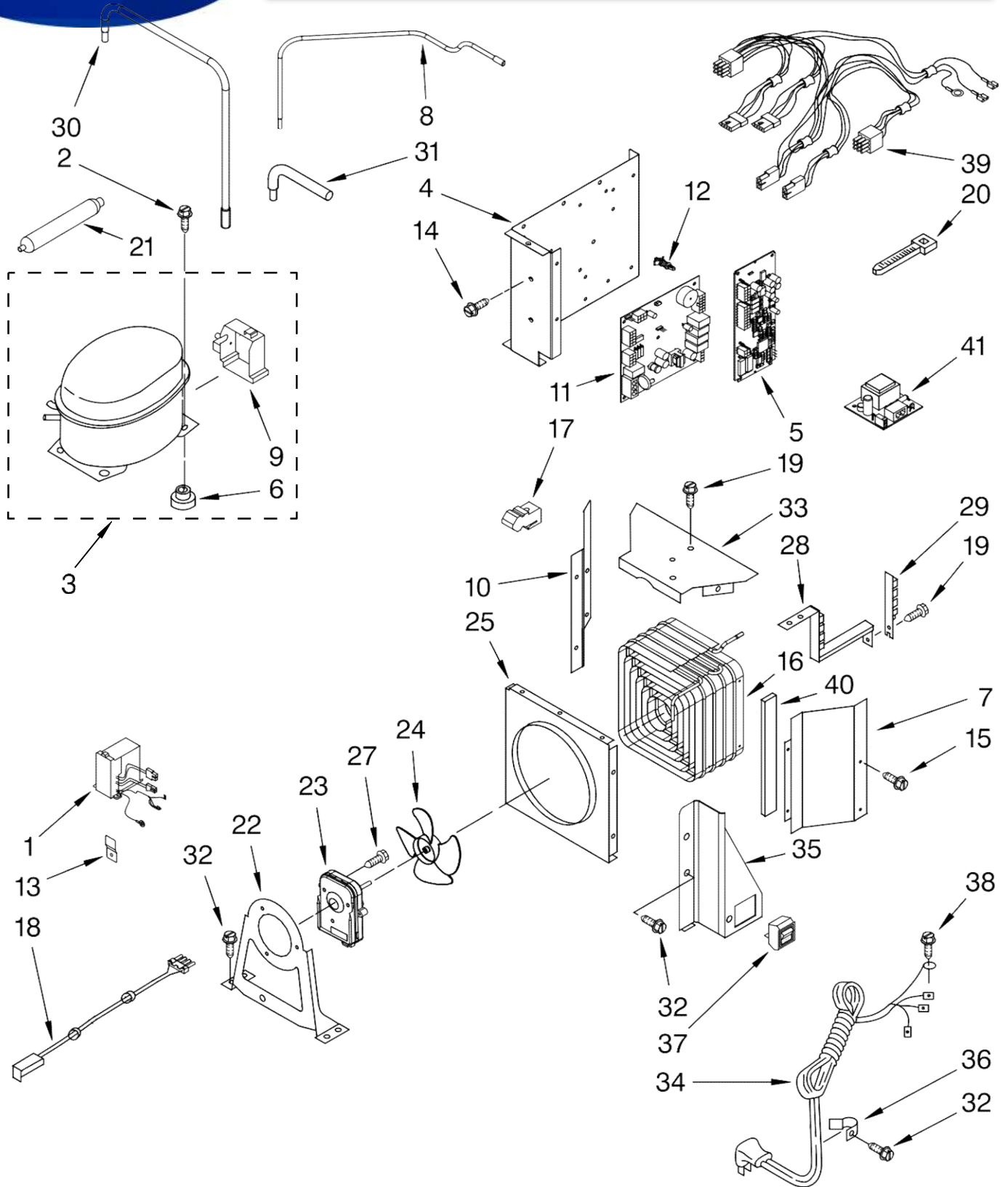




Illus. No.	Part No.	DESCRIPTION
1	W10157905	Freezer Door (Includes #7)
2	2302879	Hinge, Bottom
3	489282	Screw
4	2266854	Hinge, Top
5	2316804	Spacer-Door, Top & Bottom
6	2222812	Door Gasket, Magnetic
7		Handle, Door
8	2316868	Stainless Steel Spacer, Door-Skin (Handle Side)
9	2309060	For Stainless Steel Model Skin, Door
10	2307311	Stainless Steel Screw
11	8281250	Stainless Steel Spacer, Door-Skin (Top)
12	2005433	Screw
13	488568	Spacer, Door-Skin (Bottom)
14	2257386	Spacer, Door-Skin (Hinge Side)
15	2005030	Screw, Handle
16	308544	Filler, Door
17	2328903	Top
18	2328904	Bottom
	2258951	Brace, Door Corner
	2222777	Bin, Door (3)



<b>Illus. No.</b>	<b>Part No.</b>	<b>DESCRIPTION</b>
1		Housing, Dispenser (Not Serviced)
2	486194	Screw (3)
3	W10132946	Bracket, Motor
4	2305242	Connector, Door Bracket
5	2318021	Motor, Ice Door
6	2180353	Door, Ice
7	2318020	Support, Ice Door
8	4449745	Screw (2)
9	2305235	Spigot
10	2318017	Separator Assembly
11		Housing, Middle (Not Available Order Item 12)
12	2307675US	Housing Assembly
13	2305307GN	Water, Paddle Asy
14	2305306GN	Ice, Paddle Asy
15	2305219	Cover, Control
16	2321746	Electronic Control (Includes #15)
17	2318042	User Interface Asy
18	2318062US	Tray, Housing
19	2305342	LED Assembly



Illus. No.	Part No.	DESCRIPTION
1	W10133449	Inverter Box
2	489373	Screw, Compressor Mounting (4)
3	2223393	Compressor (Includes Items 6 & 9)(Also Order 876765 Tube Kit)
4	2318087	Housing, Control Board
5	2318054	Control Board
6	1100826	Grommet, Mounting
7	2309002	Support, Conenser
8	2307694	Tube, Transiton (Cond/Ht Loop) (Right)
9	2215676	TerminalCover
10	2309001	Support, Condenser (Left)
11	W10789107	ControlBoard
12	2203075	Spacer (5)
13	2256328	Bracket, Inverter Box
14	486194	Screw
15	1157158	Screw
16	2307998	Condenser
17	2309431	Grommet (2)
18	2310207	Wire, Jumper

Illus. No.	Part No.	DESCRIPTION
19	489399	Screw
20	2155774	Wire Tie
21	2317982	Drier
22	W10136614	Bracket, Fan Motor (Condenser Fan)
23	2188875	Motor, Fan
24	W10139483	Blade, Fan
25	2003169	Orifice, Fan
27	8533993	Screw
28	2317031	Bracket, Vibration (Condenser)
29	2317030	Arm, Vibration (Condenser)
30	2307566	Tube, Transition (Condenser/Drier)
31	2194319	Tube, Process
32	486194	Screw
33	2309000	Cover, Condenser
34	2310251	Service Cord
35	2307684	Bracket, Mounting (Power Switch)
36	549193	Clamp, Cord
37	2266802	Switch, Power Disconnect
38	487294	Screw, Ground
39	W10129829	WiringHarness, Unit Compartment

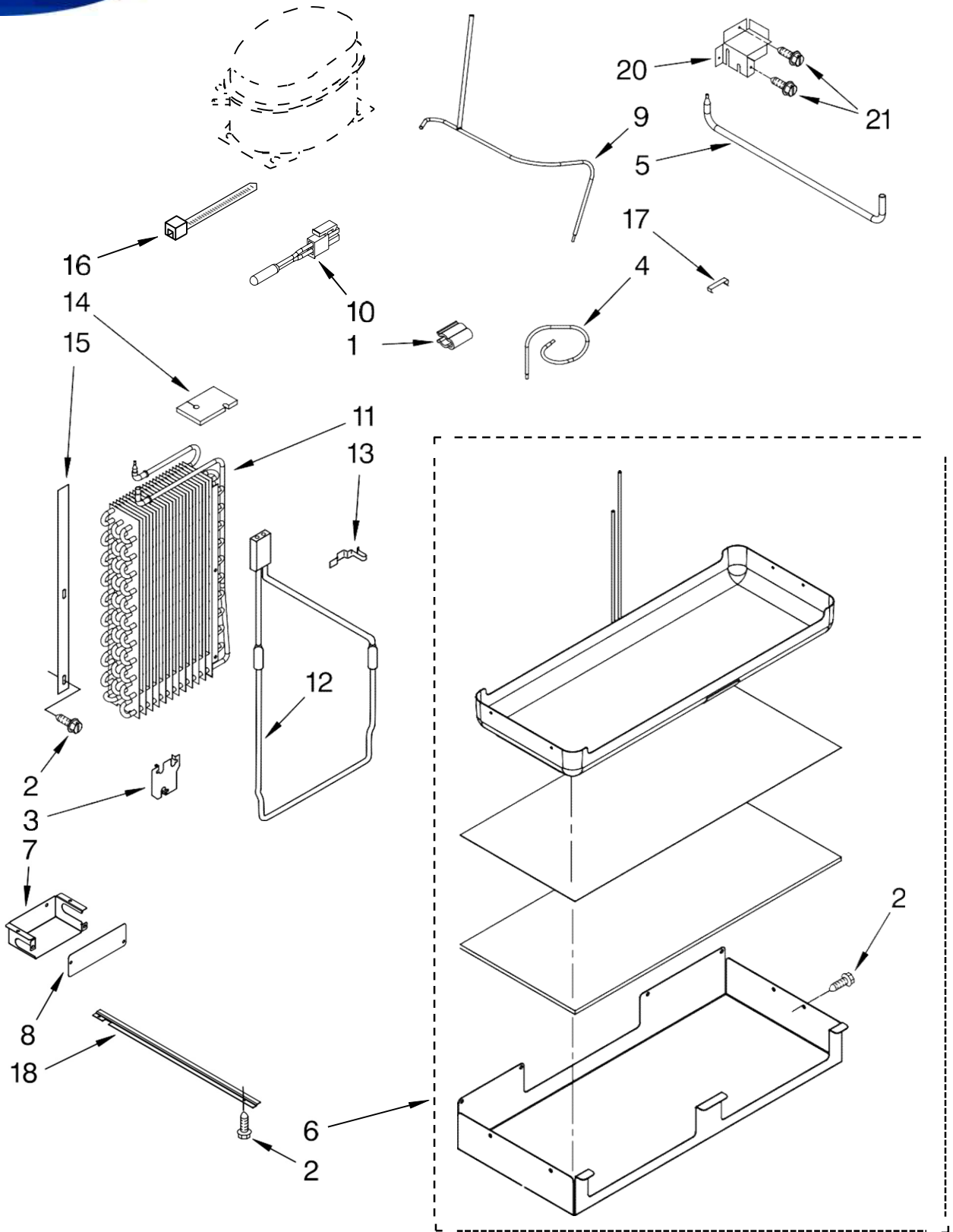
Illus. No.	Part No.	DESCRIPTION
40	2309432	Gasket, Condenser
41	2259350	Power Supply, Ingredient Care Center

**Following Parts Not Illustrated and Optional Parts Not Included**

978025	Valve, Access (1/4")
978026	Valve, Access (5/16")
978027	Valve, Access (3/8")
978028	Valve, Access (1/2")
978029	Valve, Access (5/8")
978030	Valve, Access (3/4")
876764	Valve, Access (3/16")

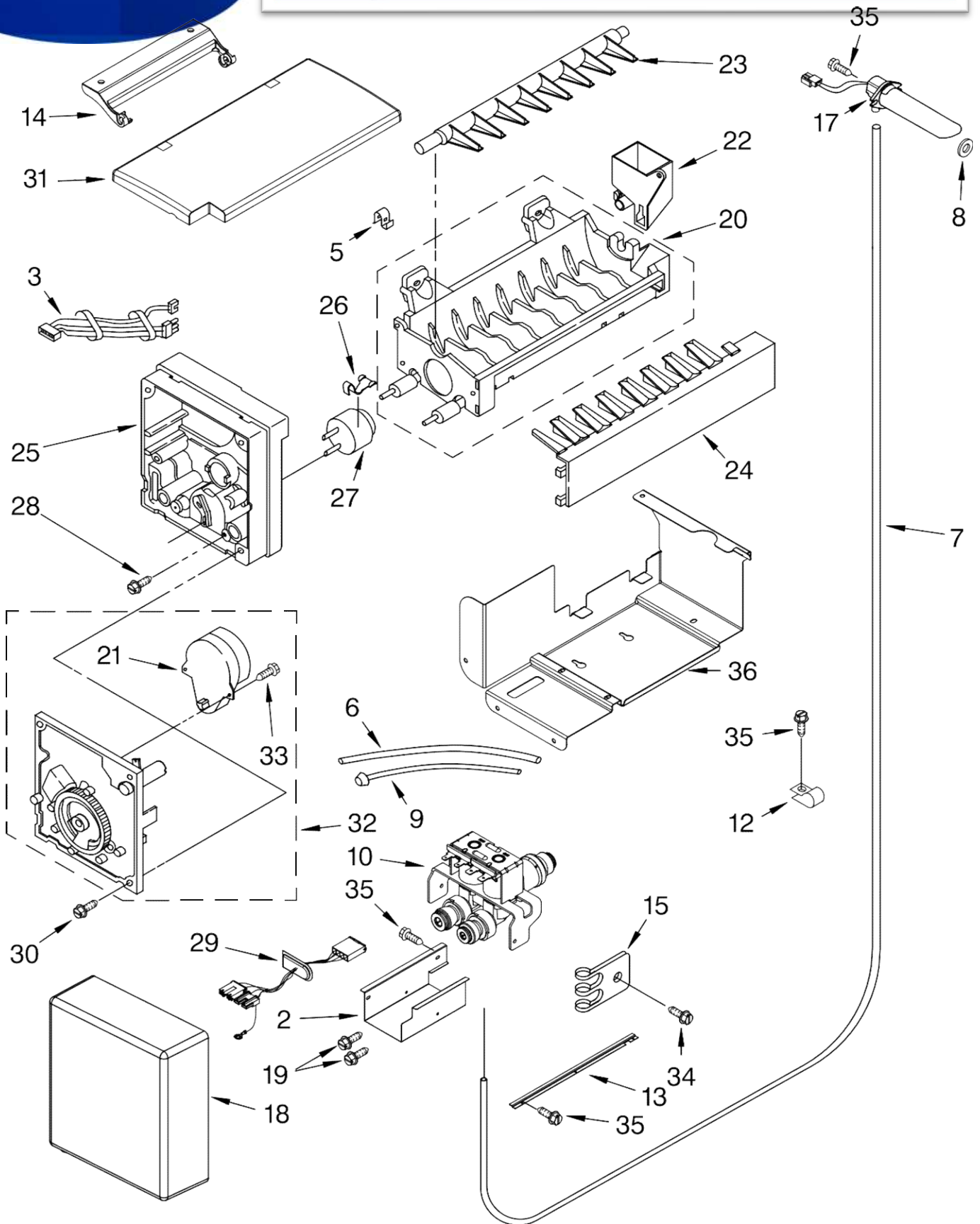
**REFRIGERANT CHARGE**

7.75 oz.  
(R-134A)



<b>Illus. No.</b>	<b>Part No.</b>	<b>DESCRIPTION</b>
1	9791833	Clip
2	486194	Screw
3	W10157752	Bracket
4	2309076	Suction Tube
5	2309070	Tube, Connect (Drier/Restrictor)
6	2320615	Drain Pan Assy.
7	W10151288	Cover, Wiring
8	W10153595	Cover, Box
9	W10121374	Tube, Discharge
10	2188820	Thermistor
11	2306094	Evaporator
12	W10140162	Heater, Defrost
13	1113048	Clamp, Heater (2)
14	W10139908	Seal, Return Air
15	2220832	Gasket, Evaporator
16	2155774	Wire Tie
17	W10169509	Clip, Heat Exchanger
18	2320554	Support, Drain Pan
20	W10160981	Bracket Assembly, Air Return
21	489464	Screw





Illus. No.	Part No.	DESCRIPTION	Illus. No.	Part No.	DESCRIPTION	Illus. No.	Part No.	DESCRIPTION
2	2320601	Shield, Valve	20	W10122527	Mold & Heater (Also Order 542638 Silicone Grease)	32	626680	Module Assembly (Includes Items 21 & 33)
3	2310191	Wire Assembly, Icemaker				33	489136	Screw (2)
5	628379	Clip, Fuse	21		Motor, (Not Serviceable Order Item 32)	34	489464	Screw
6	2325170	Tube, Filter Inlet				35	486194	Screw
7	2320658	Water Tube	22	628356	Cup-Water Fill	36	2252228	Bracket, Icemaker Mounting
8	2302758	Seal Gasket	23	627843	Ejector	100	W10122509	Complete Icemaker Assembly
9	2317912	Tube, Filter Outlet	24	2198598	Ice Striper			
10	W10159842	Valve, Solenoid	25	2194712	Support			
12	2221070	Clamp, Tube	26	2315522	Retainer Thermostat (2)			
13	2320559	Support, Valve	27	628397	Thermostat (Also Order 542639 Cement Alumilastic)			
14	2198641	Bracket, Icemaker Cover	28	8533917	Screw			
15	2305274	Clamp, Nylon Valve	29	W10139199	Wire Assembly			
17	2302756	Tube, Water Inlet	30	489276	Screw			
18	2221232	Cover	31	2317041	Cover, Icemaker			
19	488500	Screw						

Following Parts Not Illustrated  
(Optional Parts Only)

8537055 Cleaner,  
Stainless Steel  
W10134770 Ice Container  
Assembly  
W10129081 Handle Kit for  
Previous  
Architect Series  
(Stainless)