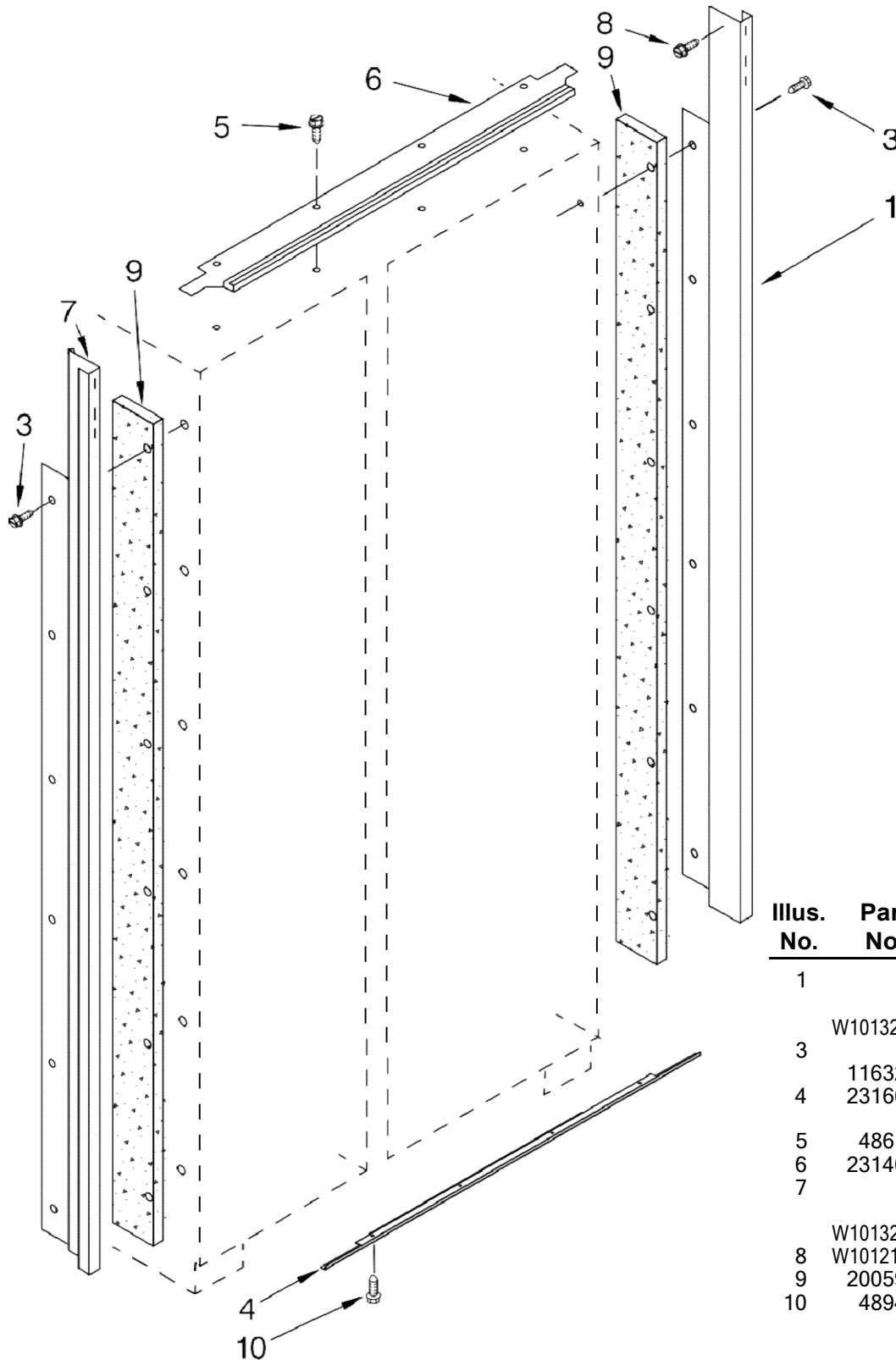
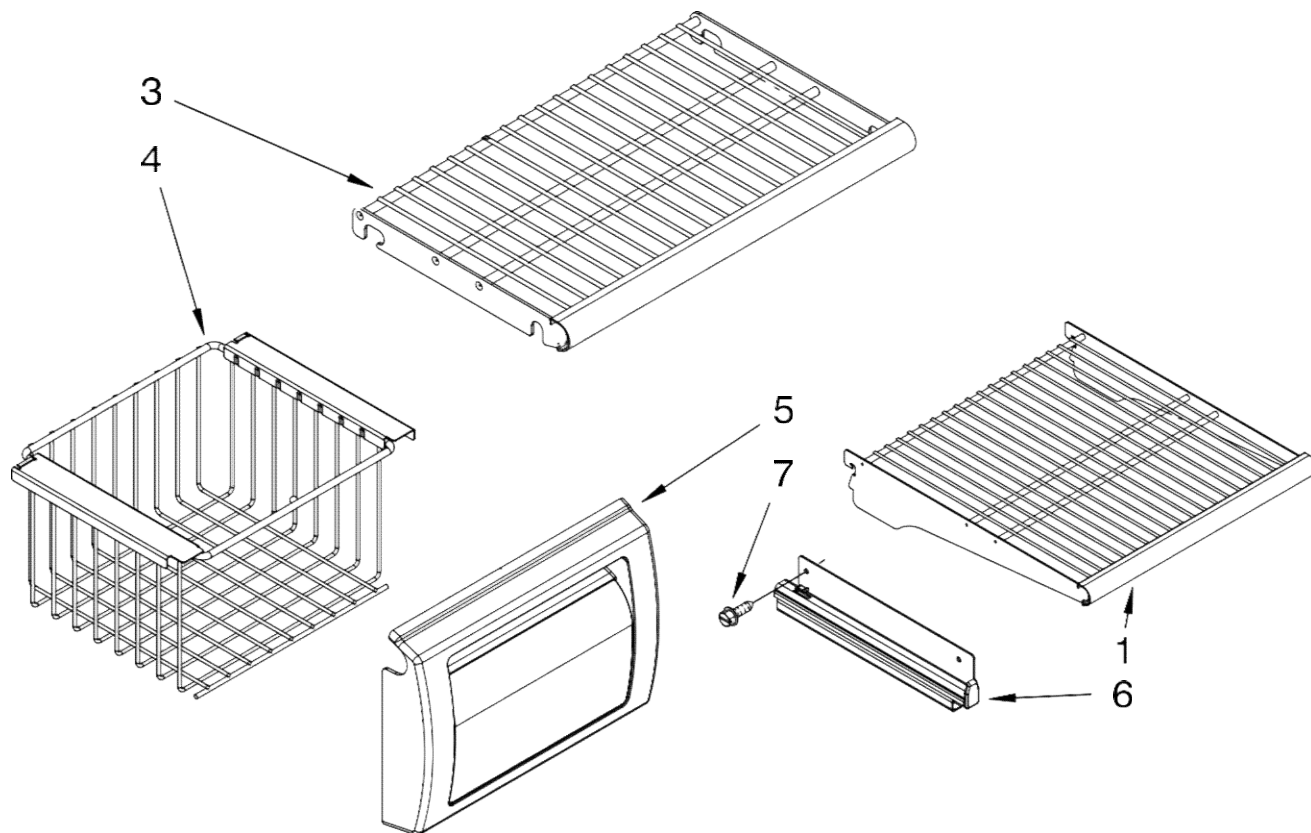


| Illus. No. | Part No. | DESCRIPTION | Illus. No. | Part No. | DESCRIPTION | Illus. No. | Part No. | DESCRIPTION |
|------------|-----------|---|------------|-----------|------------------------------|------------|----------|----------------------------------|
| 1 | | Literature Parts | 11 | 2005783 | Cam, Door Closer | 32 | | Skirt-Grille, Bottom |
| | W10161714 | Use & Care Guide | 12 | W10121140 | Housing, Water Filter | | 2209026B | Black |
| | W10205644 | Energy Guide | 13 | 2318189 | Tray, Drip Filter | 33 | | Extension Arm, Door Closer |
| | W10159832 | Service & Wiring Sheet | 14 | 3400525 | Screw | | 2266882 | Right |
| | 2306424 | Icemaker and Ingredient Care Center Service Sheet | 15 | 4396841 | Filter, Water | | 2266881 | Left |
| | 2318069 | Main Control Service Sheet | 16 | 489399 | Screw | 34 | | Grille Bottom, Front |
| | 2316565 | Installation Instructions | 17 | 3400230 | Screw, Door Stop | | 2325186B | Black |
| 2 | | Cabinet (Not A Serviceable Part) | 18 | 2257644 | Hinge (Top) | 35 | 2005921 | Screw |
| 3 | 2260503B | Button, Filter | 19 | 2318190 | Bracket, Mtg (Water Filter) | 36 | | Bracket, Support Base (Front) |
| 4 | W10138054 | Roller, Front & Rear (4) | 20 | 489464 | Screw | | 2006616 | Left |
| 5 | | Support, Leveler Assembly | 21 | 2004994 | Lock, Adjustable Bushing | | 2006556 | Right |
| | W10163493 | Refrigerator Side | 22 | 2300082 | Bushing | 37 | 1157158 | Screw |
| | W10163491 | Freezer Side | 23 | W10001250 | Screw | 38 | 2006617 | Bracket, Support Base (Rear) (2) |
| 6 | 2005032 | Leveler, Adjustable (2) | 24 | | Spring, Door Closure | 39 | 2006346 | Washer |
| 7 | 2006841 | Ring, Retaining (2) Flexible | | 2221242 | Right Side | 40 | 2266880 | Bushing, Extension Arm |
| 8 | | Cap, Water Filter | 25 | 2004517 | Left Side | 41 | 1163283 | Screw |
| | 2260518B | Black | 26 | 486194 | Screw | 42 | | Connector, Water Tube |
| 9 | 2307640 | Mounting Stud, Grille | 27 | W10129069 | Wire Clip (5) | | 2209709 | 5/16-1/4" |
| 10 | 2307584 | Grommet, Crossover Tube | 28 | 2006342 | Gap, Cover Assembly (Bottom) | | 2300868 | 1/4" |
| | | | 29 | | Hinge (Bottom) | 43 | 8281163 | Screw |
| | | | | 2006780 | Freezer Side | 44 | | Switch, Rocker Arm |
| | | | | 2006779 | Refrigerator Side | | 1118894 | Refrigerator Door Side |
| | | | 30 | 2302876 | Bushing, Adjustable | | 1115373 | Freezer Door Side |
| | | | 31 | 8533913 | Screw 1/4-20 x 5/8 | 45 | 2215938 | Cover, Switch (2) |
| | | | | | | 46 | 487415 | Screw (2) |
| | | | | | | 47 | | Bracket, Switch |
| | | | | | | | 2221097 | Right |
| | | | | | | | 2221096 | Left |
| | | | | | | 48 | 2215612 | Cover, Rear |

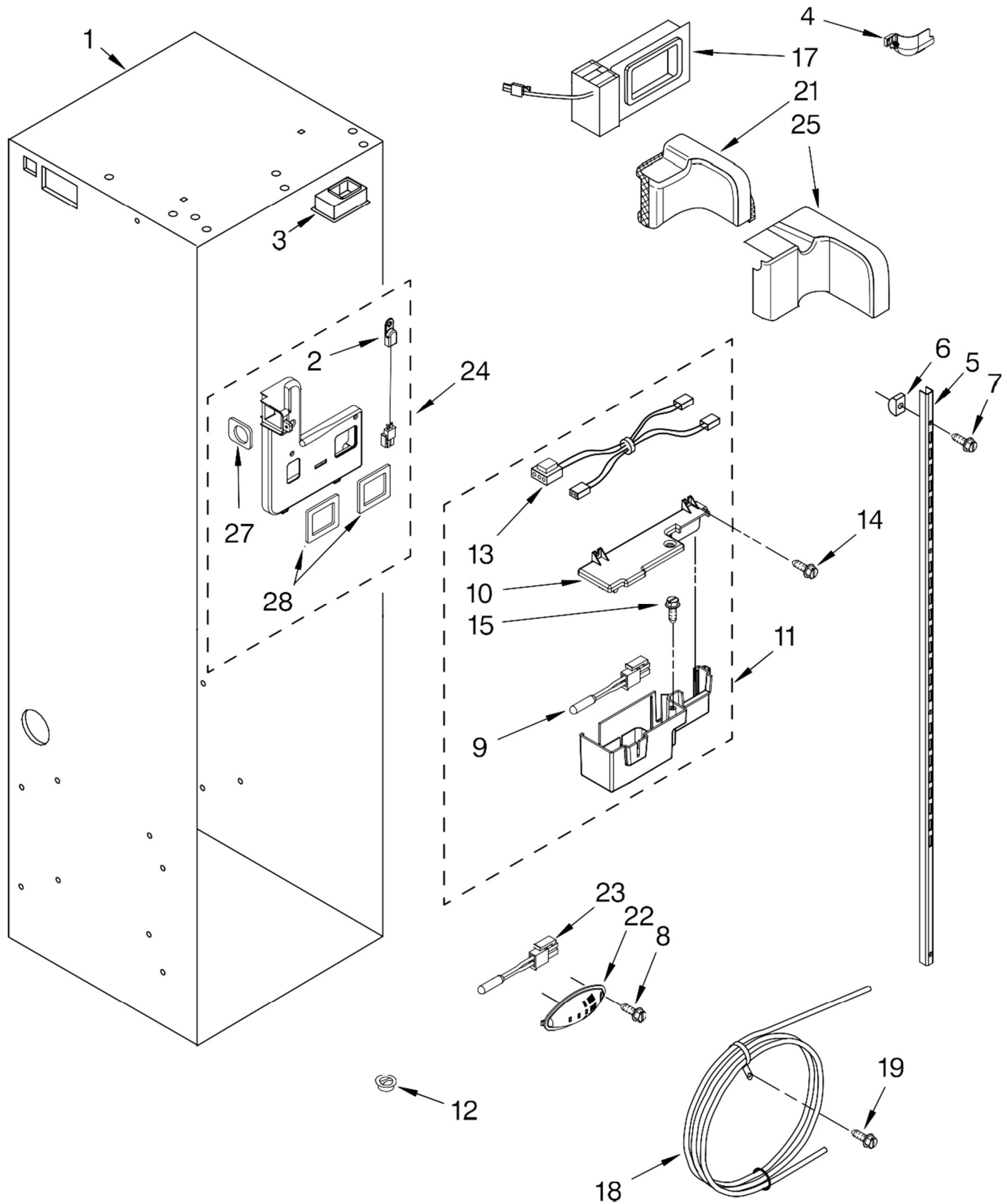


| Illus. No. | Part No. | DESCRIPTION |
|------------|-----------|----------------------------|
| 1 | | Cabinet, Trim (Right Side) |
| | W10132472 | Stainless Steel |
| 3 | | Screw |
| | 1163283 | Stainless Steel |
| 4 | 2316688 | Cabinet, Trim (Bottom) |
| 5 | 486194 | Screw |
| 6 | 2314018 | Cabinet, Trim Top |
| 7 | | Cabinet Trim (Left Side) |
| | W10132541 | Stainless Steel |
| 8 | W10121451 | Screw (4) |
| 9 | 2005925 | Seal-Trim, Side |
| 10 | 489464 | Screw |

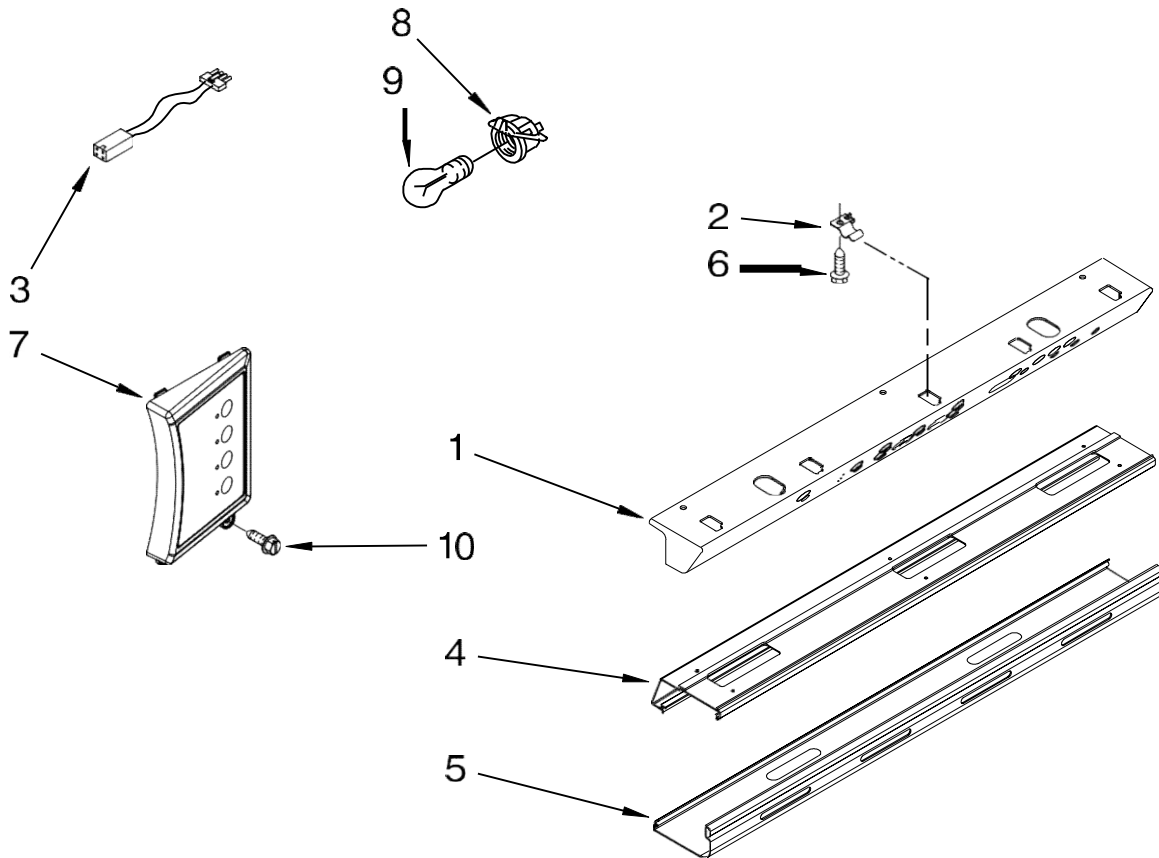


| Illus. No. | Part No. | DESCRIPTION |
|------------|----------|-------------|
|------------|----------|-------------|

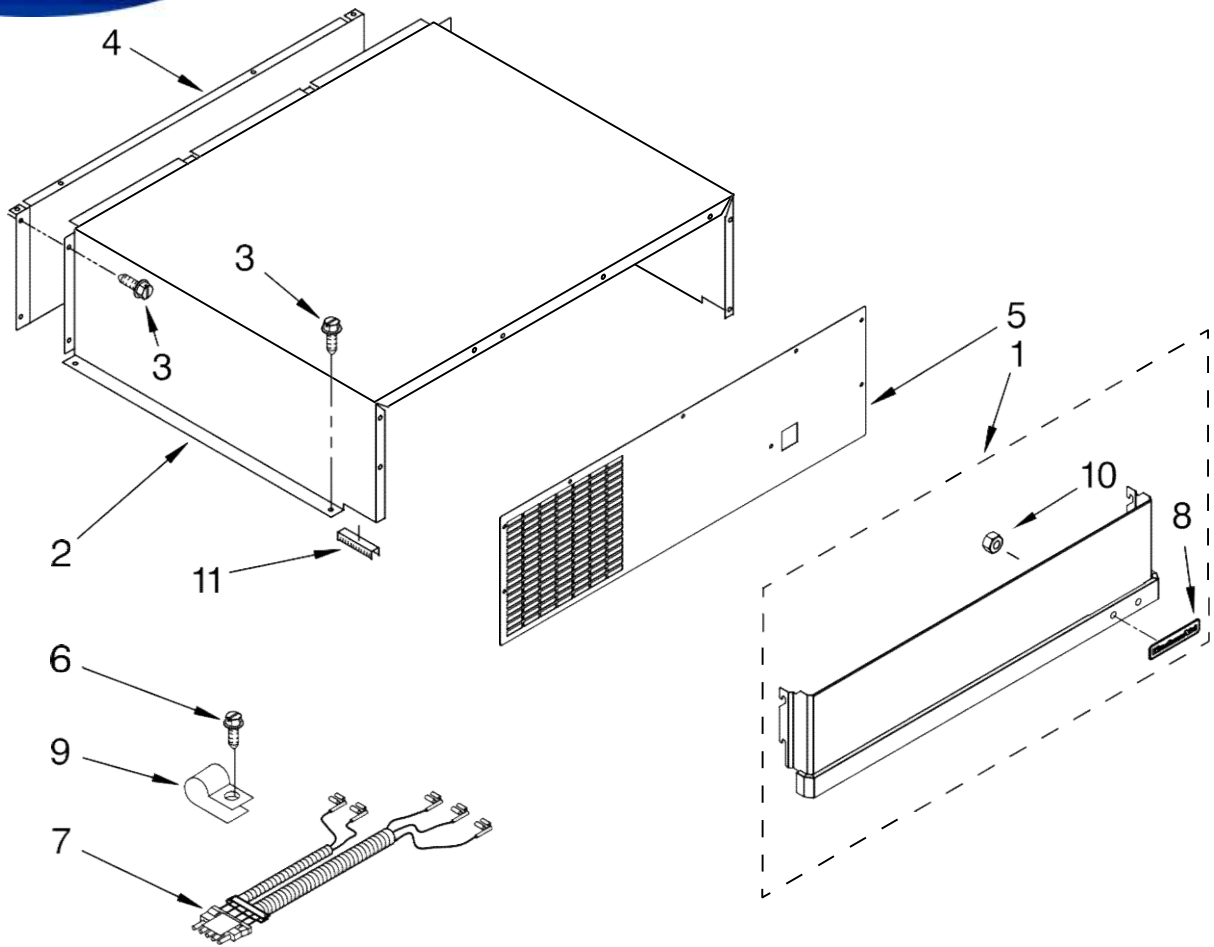
| | | |
|---|-----------|------------------|
| 1 | W10175906 | Wire, Shelf (4) |
| 3 | 2302884 | Shelf, Fixed (2) |
| 4 | 2259083 | Basket |
| 5 | 2256271 | Front, Basket |
| 6 | | Slide, Basket |
| | 2259317 | Right Side |
| | 2259318 | Left Side |
| 7 | 8533928 | Scre |



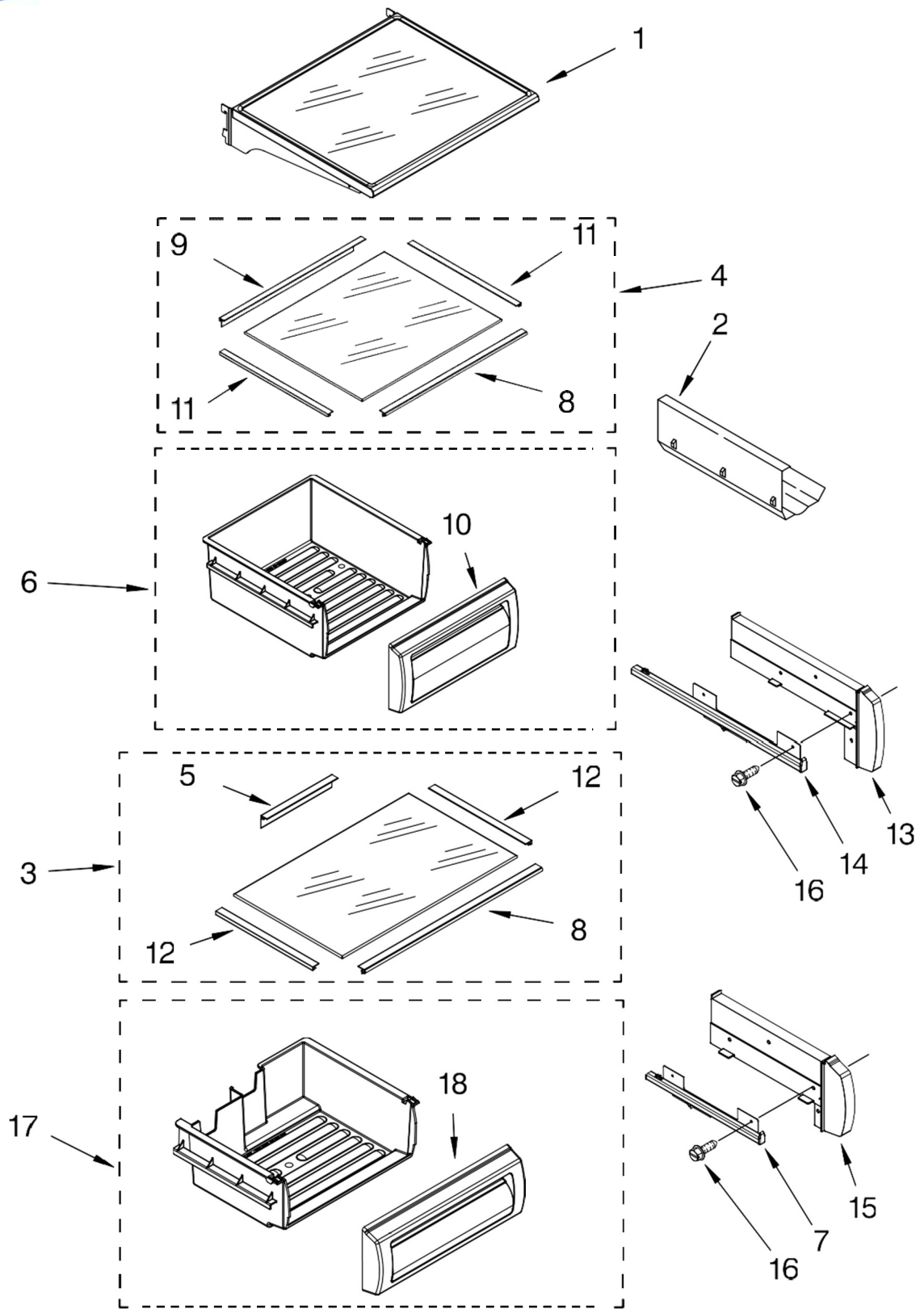
| Illus. No. | Part No. | DESCRIPTION |
|-------------------|-----------------|--------------------------------|
| 1 | | Liner (Not A Serviceable Part) |
| 2 | 2306010 | Thermistor |
| 3 | 2208970 | Air Duct |
| 4 | 2003577 | Guard, Air Return |
| 5 | 2259077 | Ladder, Shelf (2) |
| 6 | 520965 | Screw Support, Ladder (8) |
| 7 | 2006475 | Screw |
| 8 | 487539 | Screw |
| 9 | 2302937 | Thermistor |
| 10 | 2302986 | Lid, Meat Pan Baffle |
| 11 | W10169528 | Baffle Control Assembly |
| 12 | 2171846 | Release Valve |
| 13 | 2310205 | Jumper, Air Baffle |
| 14 | 488357 | Screw |
| 15 | 486194 | Screw |
| 17 | 2221296 | Air Baffle Assembly |
| 18 | 2327509 | Reservoir |
| 19 | 488280 | Screw |
| 21 | 2309222 | Diffuser Assembly |
| 22 | 2317105 | Cover, Thermistor |
| 23 | 2188820 | Thermistor |
| 24 | 2302992 | Spacer, Air-Baffle |
| 25 | 2309087 | Cover, Diffuser |
| 27 | 2259412 | Seal, Air Duct (Round Hole) |
| 28 | 2259398 | Seal, Air Duct (Square Hole) |



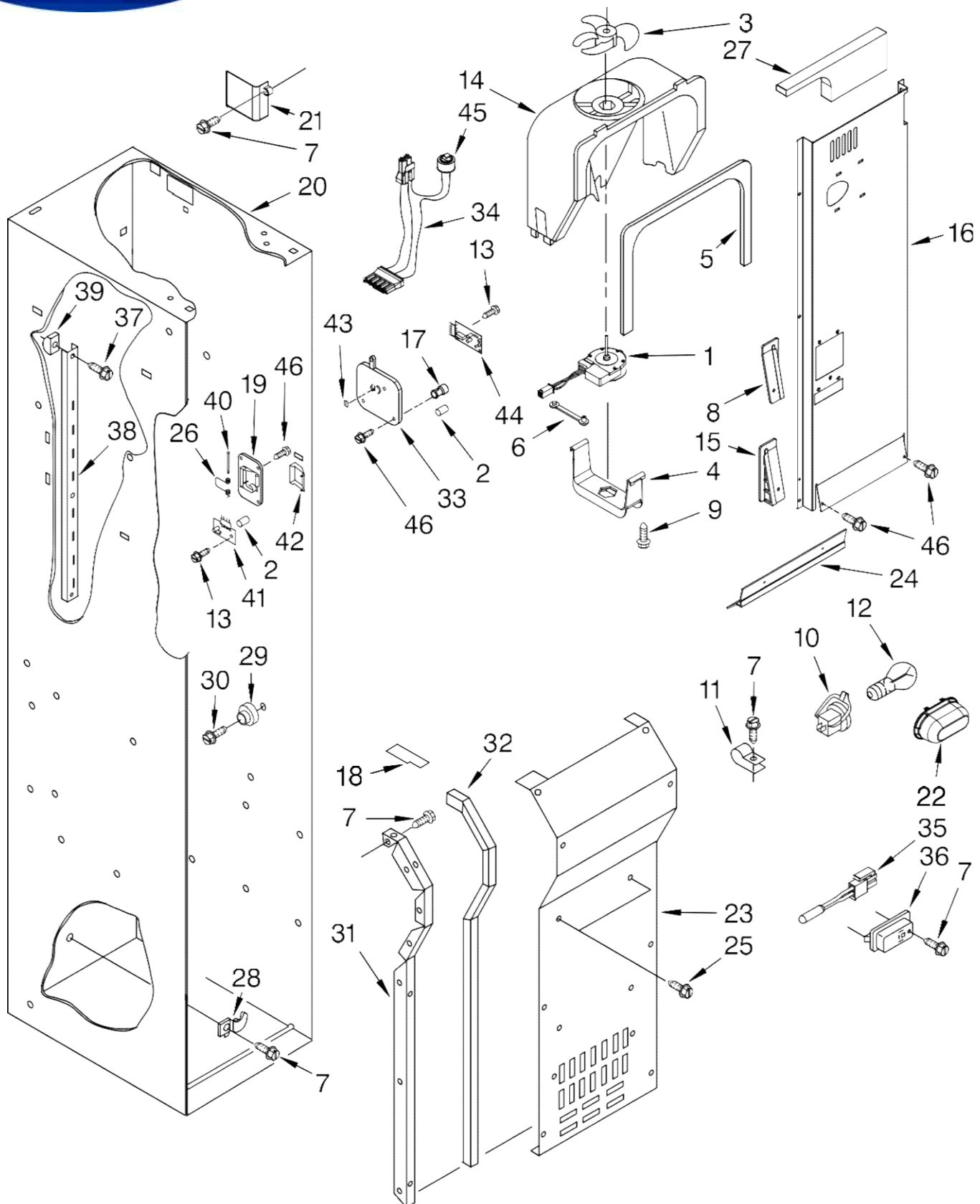
| Illus. No. | Part No. | DESCRIPTION |
|------------|----------|---------------------------------|
| 1 | 2316546 | Control Box |
| 2 | 2317000 | Clip, Box |
| 3 | 2310390 | Wire, Jumper |
| 4 | 2324973 | Bracket, Control Box |
| 5 | 2307596 | Shield, Control Box |
| 6 | 487539 | Screw (2) |
| 7 | 2306086 | Display, Ingredient Care Center |
| 8 | 2223857 | Socket, Light |
| 9 | 2326255 | Light Bulb (2) |
| 10 | 8281185 | Screw |



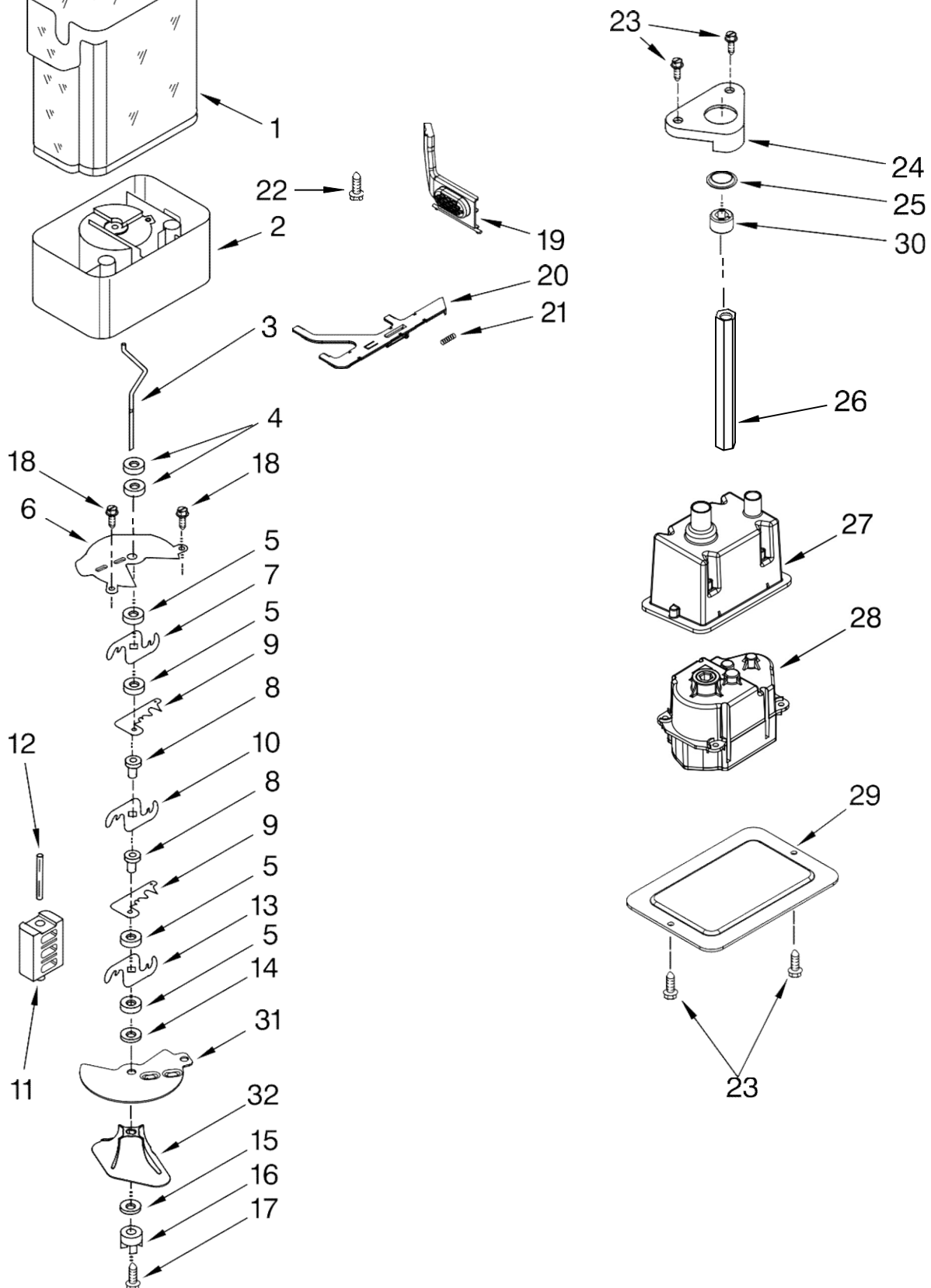
| Illus. No. | Part No. | DESCRIPTION |
|------------|-----------|----------------------------|
| 1 | | Panel, Decorative Assembly |
| | 2316738S | Stainless Steel |
| 2 | W10161693 | Cover, Unit |
| 3 | 486194 | Screw |
| 4 | 2256466 | Back Panel |
| 5 | W10185625 | Cover, Unit Front |
| 6 | 487415 | Screw |
| 7 | W10167456 | Wire Assembly |
| | | RC/FC Light Switch |
| 8 | 2317923S | Badge, Kitchen Aid |
| 9 | 489348 | Clamp |
| 10 | 2004333 | Nut |
| 11 | 2215910 | Grommet, Flexible |



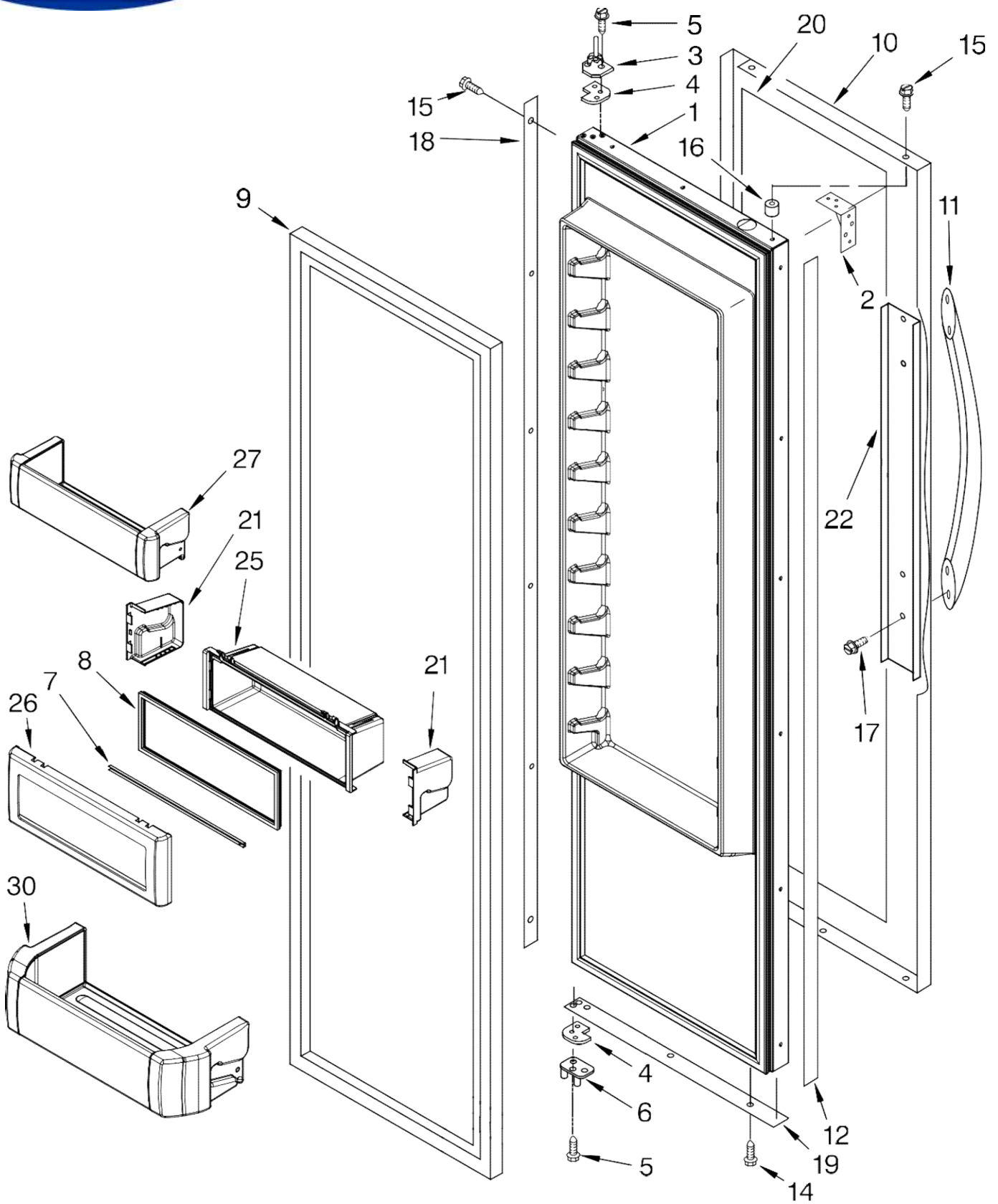
| Illus. No. | Part No. | DESCRIPTION |
|-------------------|-----------------|--|
| 1 | 2222593 | Shelf Assembly (4) |
| 2 | 2179404 | Rack, Wine |
| 3 | 2302843 | Assembly, Meat Pan Cover |
| 4 | 2302836 | Assembly, Crisper Cover |
| 5 | 2257583 | Trim, Glass Rear |
| 6 | 2252413 | Crisper Pan (2) |
| 7 | | Slide, Meat Pan |
| | 2302954 | Left Side |
| | 2302955 | Right Side |
| 8 | | Trim, Glass Front (Not Serviceable) |
| 9 | 2256255 | Trim, Glass Rear |
| 10 | 2256249 | Front, Crisper Pan |
| 11 | 2252255 | Trim, Glass Side Crisper Pan |
| 12 | 2256250 | Trim, Glass Side Meat Pan |
| 13 | | Spacer, Crisper |
| | 2256222 | Right Side (2) |
| | 2256223 | Left Side (2) |
| 14 | | Slide, Crisper |
| | 2302956 | Right Side |
| | 2302957 | Left Side |
| 15 | | Spacer, Meat Pan |
| | 2256243 | Left Side |
| | 2256244 | Right Side |
| 16 | | Screw |
| | 8533929 | Right Side- (8-18 x 1.375) |
| | 8533928 | Left Side- (8-18 x .750) |
| 17 | 2256370 | Pan Assembly Meat |
| 18 | 2256367 | Front, Meat Pan |



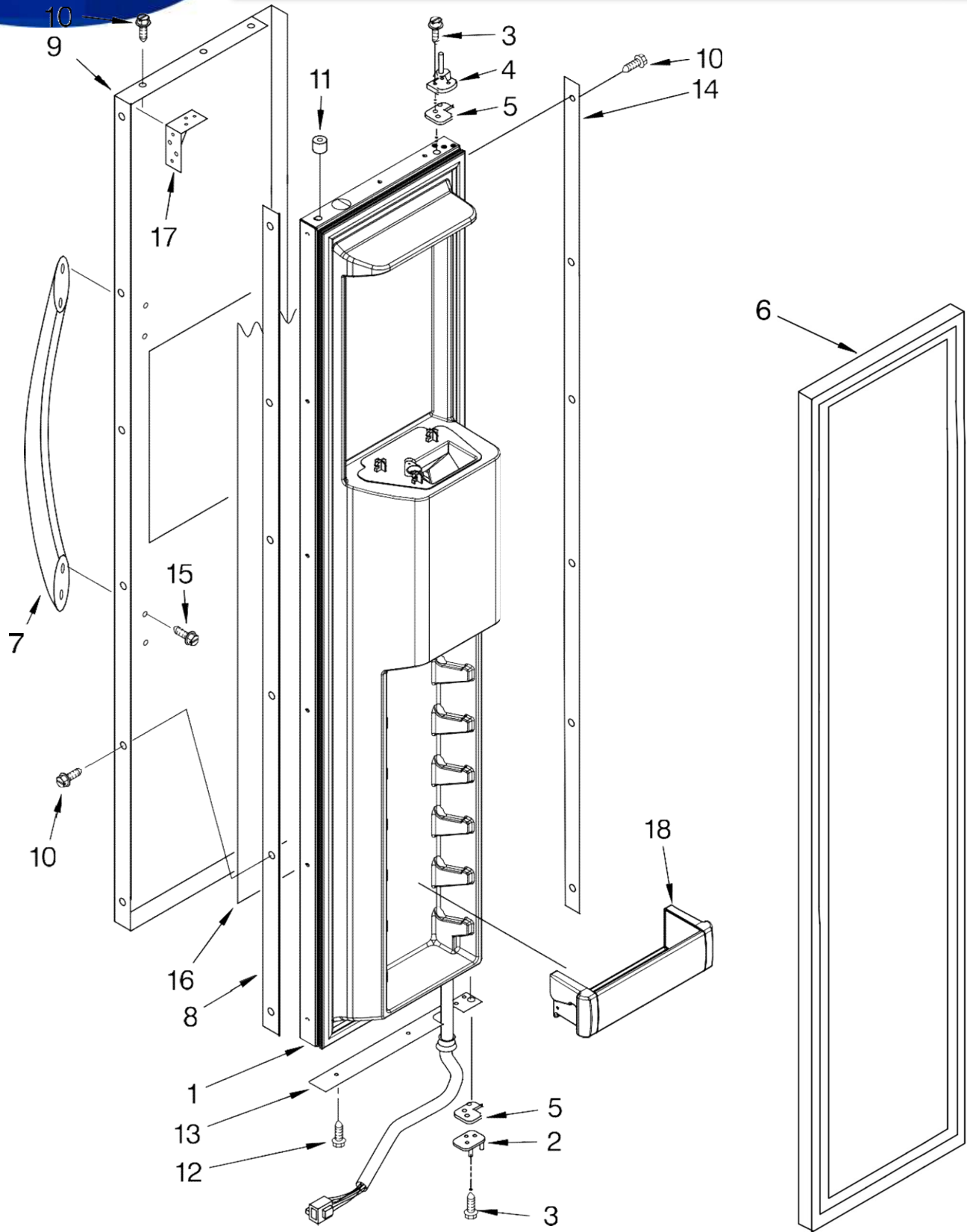
| Illus. No. | Part No. | DESCRIPTION | Illus. No. | Part No. | DESCRIPTION | Illus. No. | Part No. | DESCRIPTION |
|------------|----------|-------------------|------------|-----------|-------------------|------------|-----------|--------------------|
| 1 | 2259385 | Fan Motor | 19 | 2215650 | Cover, Emitter | 32 | 2220904 | Gasket (2) |
| 2 | 2198665 | Tube, P.C. Board | 20 | | Liner (Not A | | | Evaporator Cover |
| 3 | 2169142 | Fan Blade | | | Serviceable Part) | 33 | 2259493 | Cover, Receiver |
| 4 | 2223733 | Retainer, | 21 | 2259025 | Cover, Air Outlet | 34 | W10139189 | Harness, Evap Fan |
| | | Fan Motor | 22 | 2307751 | Light Shield | | | (Includes Item 45) |
| 5 | 2302817 | Gasket, Cover | 23 | W10158005 | Cover, Evaporator | 35 | 2306010 | Thermistor |
| 6 | 2223986 | Grommet | 24 | 2302851 | Support, Air Duct | 36 | 2317105 | Cover, Thermistor |
| 7 | 486194 | Screw | 25 | 487539 | Screw | 37 | 2006475 | Screw |
| 8 | 2259464 | Wedge, Air Duct | 26 | 2198635 | Spring | 38 | 2259032 | Ladder, Shelf |
| 9 | 488500 | Screw, Ground | 27 | 2309284 | Deflector, Air | 39 | 2259445 | Support, Screw |
| 10 | 2223857 | Socket, Light (2) | | | Duct | 40 | 2198634 | Pin |
| 11 | 488937 | Clamp, Nylon | 28 | 1112260 | Support, | 41 | W10193840 | P.C. Board |
| 12 | 2326255 | Light Bulb | | | Evaporator | | | Emitter |
| 13 | 489214 | Screw | 29 | 2196483 | Shelf, Stud (20) | 42 | 2198633 | Flipper |
| 14 | 2182120 | Scroll, Fan | 30 | 8281158 | Screw | 43 | 2255563 | Slide, Icemaker |
| 15 | 2259465 | Wedge, Air Duct | 31 | | Evaporator, | | | Shut Off |
| 16 | 2307775 | Air Duct | | | Cover Rail | 44 | W10193666 | P.C. Board, |
| 17 | 2198643 | Lens | | | Left Side | | | Receiver |
| 18 | | Block, Fan Scroll | | | 2221107 | | | Defrost, Bi-Metal |
| | 2209482 | Right | | | 2259355 | | | Screw |
| | 2209066 | Left | | | | | | |



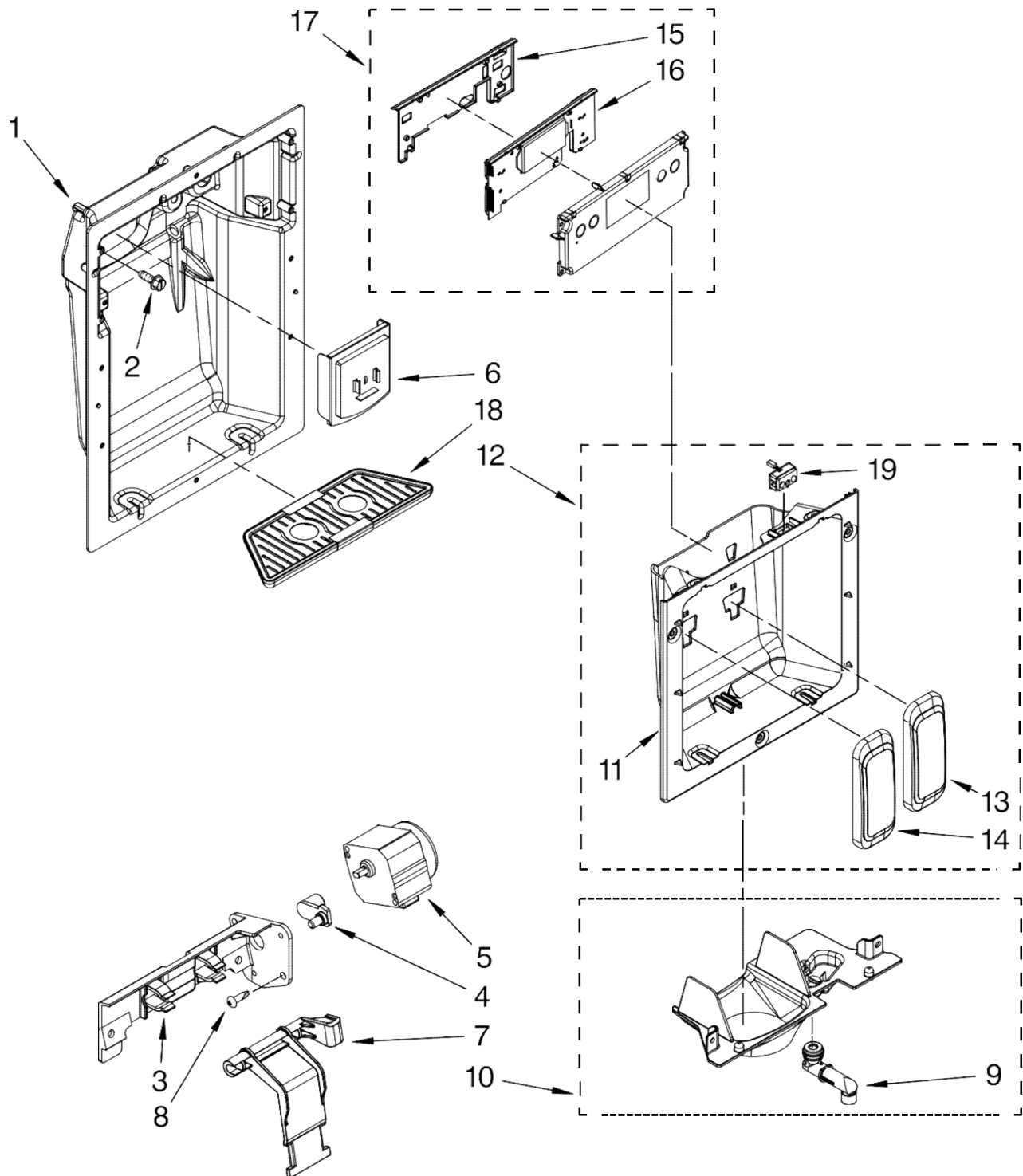
| Illus. No. | Part No. | DESCRIPTION |
|-------------------|-----------------|--------------------|
| 1 | 2222970 | Ice Bin |
| 2 | W10134777 | Crusher Bin |
| 3 | W10140642 | Auger |
| 4 | 2258220 | Washer, Auger |
| 5 | 1119007 | Spacer, Flat (6) |
| 6 | 2317248 | Cover, Crusher |
| 7 | 2257024 | Blade, Rotary |
| 8 | 1119005 | Spacer, Step (2) |
| 9 | 2257020 | Blade, Fixed |
| 10 | 2257023 | Blade, Rotary |
| 11 | 2317239 | Block, Blade |
| 12 | 489229 | Roll Pin |
| 13 | 2257022 | Blade, Rotary |
| 14 | 489235 | Washer, Plain |
| 15 | 2198661 | Washer, Coupling |
| 16 | 2188918 | Coupling, Top |
| 17 | 8281164 | Screw |
| 18 | 3400065 | Screw |
| 19 | 2252265 | Button, Bin |
| 20 | W10134785 | Latch, Bin |
| 21 | 2198608 | Spring, Latch |
| 22 | 2198671 | Screw (2) |
| 23 | 8281163 | Screw |
| 24 | 2188919 | Holder |
| 25 | 2198628 | Seal |
| 26 | 2318030 | Drive Shaft |
| 27 | 2318011 | Enclosure, Motor |
| 28 | 2315546 | Dispenser, Motor |
| 29 | 2318028 | Cover |
| 30 | 2315559 | Sleeve. Coupling |
| 31 | 2317250 | Divider, Chamber |
| 32 | 2317243 | Wiper |



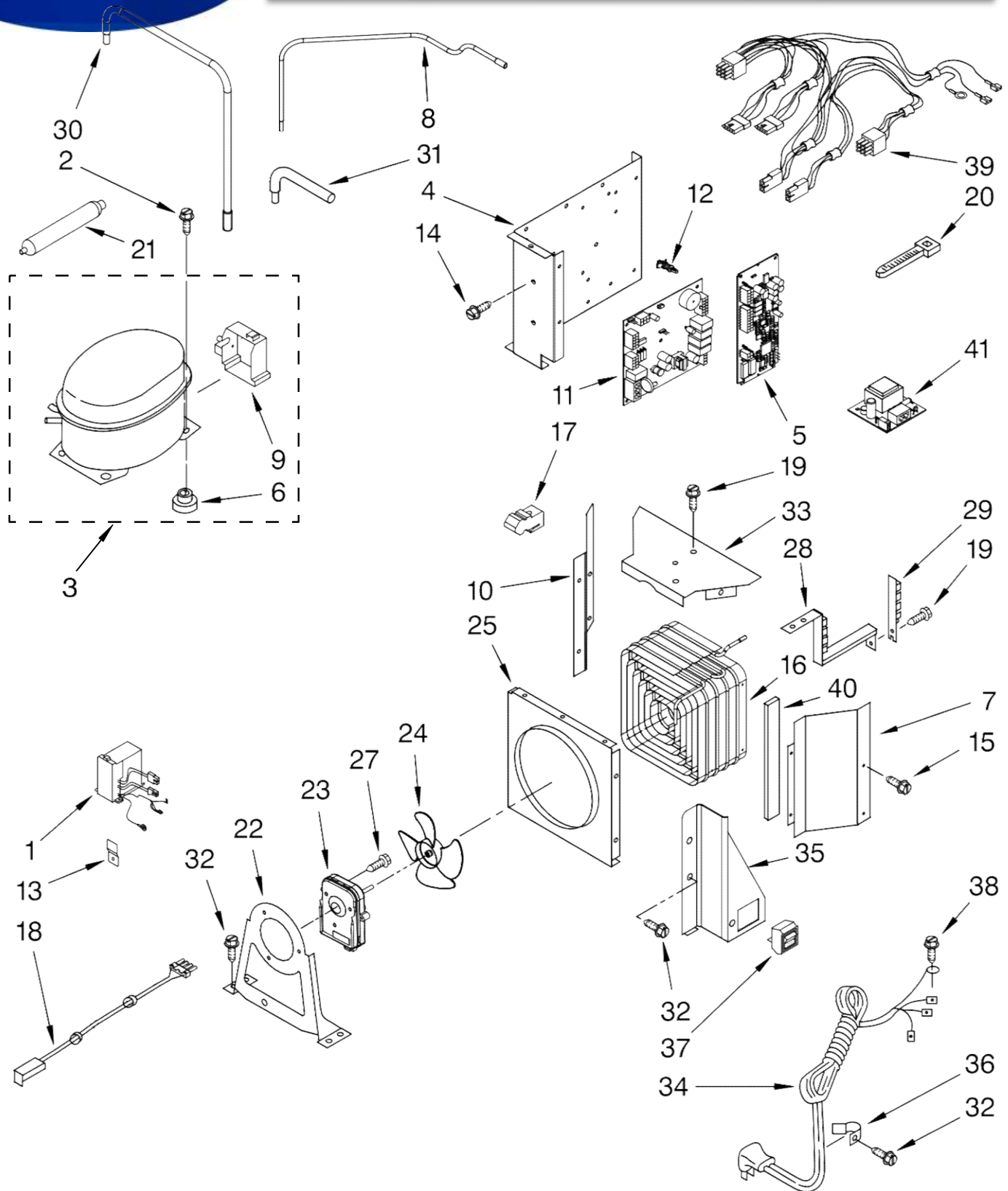
| Illus. No. | Part No. | DESCRIPTION |
|------------|-----------|--|
| 1 | W10193491 | Refrigerator Door Panel (Includes Item #9) |
| 2 | 2258951 | Brace, Door Corner |
| 3 | 2266854 | Hinge Assembly, Top |
| 4 | 2316804 | Spacer-Door, Top & Bottom |
| 5 | 489282 | Screw |
| 6 | 2302878 | Hinge Assembly, Bottom |
| 7 | 2222797 | Rail, Lid |
| 8 | 2222983 | Gasket, Utility Bin |
| 9 | 2222812 | Door Gasket, Magnetic |
| 10 | | Skin, Door |
| | 2307754 | Stainless Steel |
| 11 | | Handle, Door |
| | 2316868 | Stainless Steel |
| 12 | | Spacer, Door-Skin (Handle Side) |
| | 2309060 | For Stainless Steel Model |
| 14 | 488568 | Screw |
| 15 | | Screw, 8-15 x .500 |
| | 8281250 | Stainless Steel |
| 16 | 2005433 | Spacer, Door-Skin (Top) |
| 17 | 308544 | Screw, Handle |
| 18 | W10142296 | Spacer, Door-Skin (Hinge Side) |
| 19 | 2004935 | Spacer, Door-Skin (Bottom) |
| 20 | 2005327 | Filler, Door |
| 21 | | End Cap |
| | 2222919 | Right Side |
| | 2222920 | Left Side |
| 22 | W10127710 | Plate, Door-Handle |
| 25 | 2222923 | Bin, Utility Center |
| 26 | 2257617 | Door, Utility Bin |
| 27 | 2222774 | Bin, Door (3) |
| 30 | 2222771 | Bin, Door |



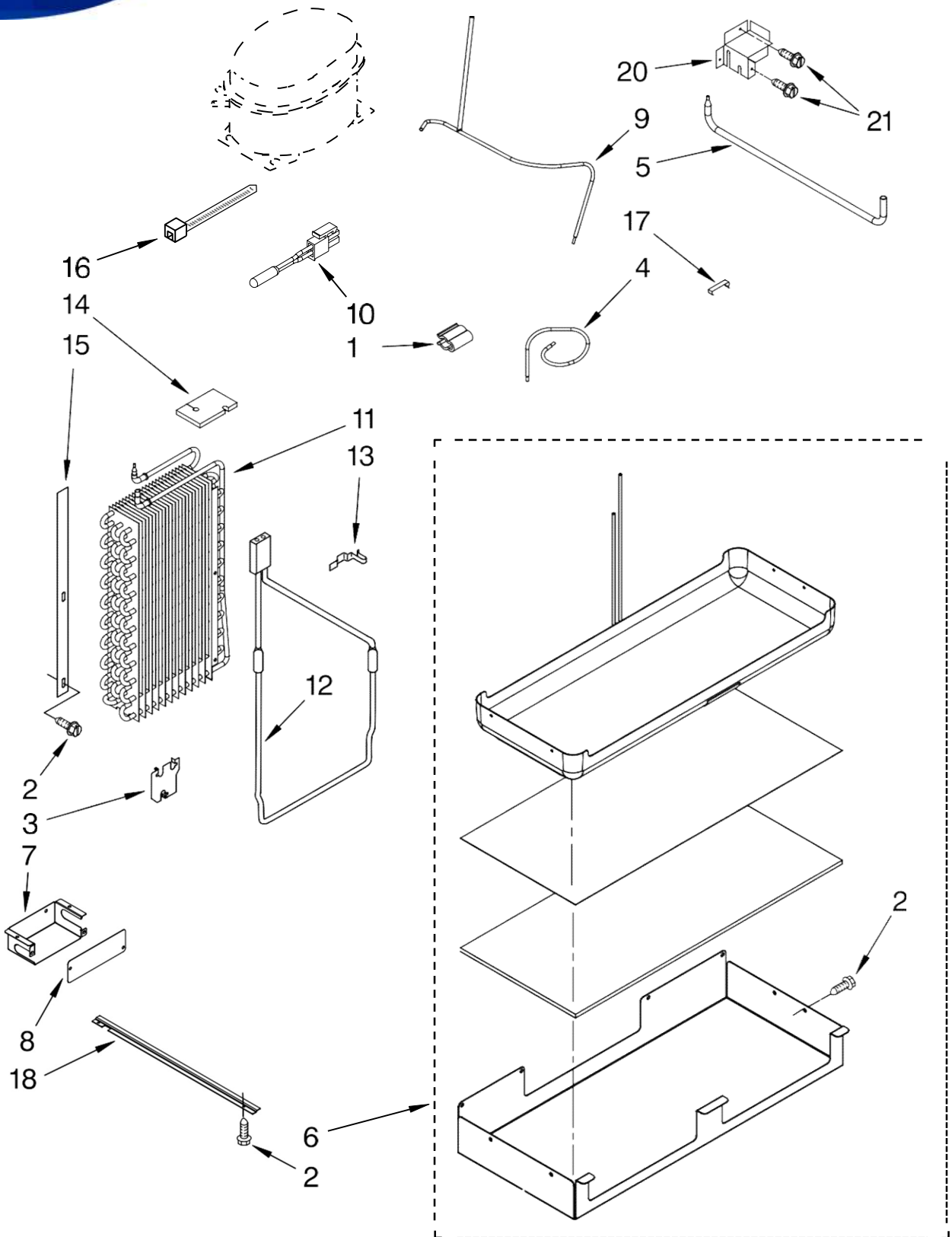
| Illus. No. | Part No. | DESCRIPTION |
|-------------------|-----------------|---|
| 1 | W10193495 | Freezer Door (Includes #7) |
| 2 | 2302879 | Hinge, Bottom |
| 3 | 489282 | Screw |
| 4 | 2266854 | Hinge, Top |
| 5 | 2316804 | Spacer-Door, Top & Bottom |
| 6 | 2222812 | Door Gasket, Magnetic |
| 7 | | Handle, Door |
| 8 | 2316868 | Stainless Steel Spacer, Door-Skin (Handle Side) |
| 9 | 2309060 | For Stainless Steel Model Skin, Door |
| 10 | 2307311 | Stainless Steel Screw |
| 11 | 8281250 | Stainless Steel Spacer, Door-Skin (Top) |
| 12 | 2005433 | Screw |
| 13 | 488568 | Spacer, Door-Skin (Bottom) |
| 14 | 2257386 | Spacer, Door-Skin (Hinge Side) |
| 15 | W10142296 | Screw, Handle |
| 16 | 308544 | Filler, Door |
| | 2328903 | Top |
| | 2328904 | Bottom |
| 17 | 2258951 | Brace, Door Corner |
| 18 | 2222777 | Bin, Door (3) |



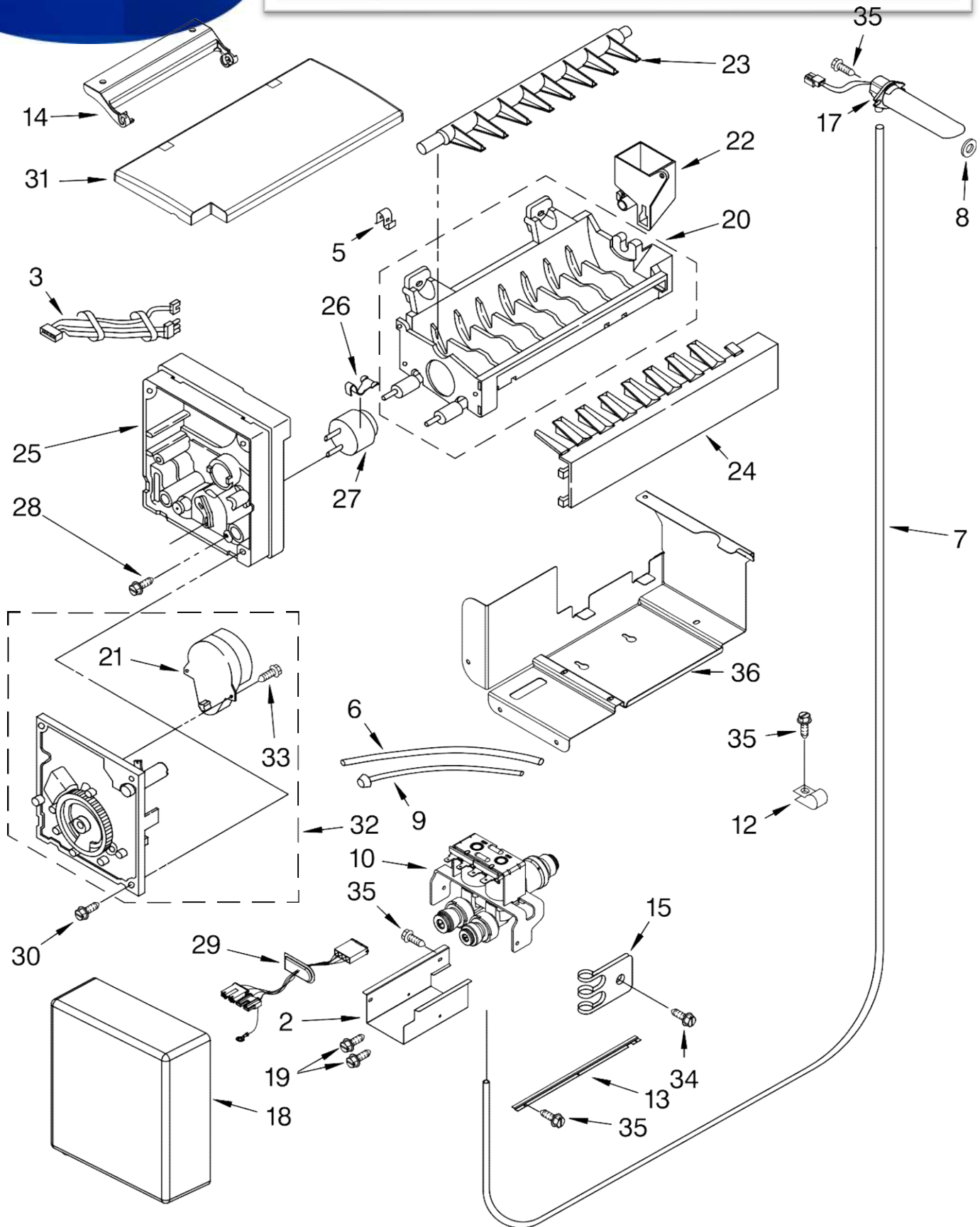
| Illus. No. | Part No. | DESCRIPTION |
|-----------------------|---------------------|---|
| 1 | | Housing, Dispenser (Not Serviced) |
| 2 | 486194 | Screw (3) |
| 3 | W10132946 | Bracket, Motor |
| 4 | 2305242 | Connector, Door Bracket |
| 5 | 2318021 | Motor, Ice Door |
| 6 | 2180353 | Door, Ice |
| 7 | 2318020 | Support, Ice Door |
| 8 | 4449745 | Screw (2) |
| 9 | 2305235 | Spigot |
| 10 | 2318017 | Separator Assembly |
| 11 | | Housing, Middle (Not Available Order Item 12) |
| 12 | 2307675US | Housing Assembly |
| 13 | 2305307GN | Water, Paddle Asy |
| 14 | 2305306GN | Ice, Paddle Asy |
| 15 | 2305219 | Cover, Control |
| 16 | 2321746 | Electronic Control (Includes #15) |
| 17 | 2318042 | User Interface Asy |
| 18 | 2318062US | Tray, Housing |
| 19 | W10222215 | LED Assembly |



| Illus. No. | Part No. | DESCRIPTION | Illus. No. | Part No. | DESCRIPTION | Illus. No. | Part No. | DESCRIPTION |
|------------|-----------|---|------------|-----------|------------------------------------|---------------------------------|----------|--------------------------------------|
| 1 | W10133449 | Inverter Box | 19 | 489399 | Screw | 41 | 2259350 | Power Supply, Ingredient Care Center |
| 2 | 489373 | Screw, Compressor Mounting (4) | 20 | 2155774 | Wire Tie | Following Parts Not Illustrated | | |
| 3 | W10173296 | Compressor (Includes Items 6 & 9)(Also Order 876765 Tube Kit) | 21 | W10175593 | Drier | | | |
| 4 | 2318087 | Housing, Control Board | 22 | W10136614 | Bracket, Fan Motor (Condenser Fan) | and Optional Parts Not Included | | |
| 5 | 2318054 | Control Board | 23 | 2188875 | Motor, Fan | | | |
| 6 | 1100826 | Grommet, Mounting | 24 | W10139483 | Blade, Fan | 978025 | | Valve, Access (1/4") |
| 7 | 2309002 | Support, Conenser | 25 | 2003169 | Orifice, Fan | 978026 | | Valve, Access (5/16") |
| 8 | 2307694 | Tube, Transiton (Cond/Ht Loop) (Right) | 27 | 8533993 | Screw | 978027 | | Valve, Access (3/8") |
| 9 | 2215676 | Terminal Cover | 28 | 2317031 | Bracket, Vibration (Condenser) | 978028 | | Valve, Access (1/2") |
| 10 | 2309001 | Support, Condenser (Left) | 29 | 2317030 | Arm, Vibration (Condenser) | 978029 | | Valve, Access (5/8") |
| 11 | W10789107 | Control Board | 30 | 2307566 | Tube, Transition (Condenser/Drier) | 978030 | | Valve, Access (3/4") |
| 12 | 2203075 | Spacer (5) | 31 | 2194319 | Tube, Process | 876764 | | Valve, Access (3/16") |
| 13 | 2256328 | Bracket, Inverter Box | 32 | 486194 | Screw | REFRIGERANT CHARGE | | |
| 14 | 486194 | Screw | 33 | 2309000 | Cover, Condenser | 7.75 oz. (R-134A) | | |
| 15 | 1157158 | Screw | 34 | 2310251 | Service Cord | | | |
| 16 | 2307998 | Condenser | 35 | W10185556 | Bracket, Mounting (Power Switch) | | | |
| 17 | 2309431 | Grommet (2) | 36 | 549193 | Clamp, Cord | | | |
| 18 | 2310207 | Wire, Jumper | 37 | W10178895 | Switch, Power Disconnect | | | |
| | | | 38 | 487294 | Screw, Ground | | | |
| | | | 39 | W10178862 | Wiring Harnest, Unit Compartment | | | |
| | | | 40 | 2309432 | Gasket, Condenser | | | |



| Illus. No. | Part No. | DESCRIPTION |
|-------------------|-----------------|-------------------------------------|
| 1 | 9791833 | Clip |
| 2 | 486194 | Screw |
| 3 | W10157752 | Bracket |
| 4 | 2309076 | Suction Tube |
| 5 | 2309070 | Tube, Connect (Drier/Restrictor) |
| 6 | 2320615 | Drain Pan Assy. |
| 7 | W10151288 | Cover, Wiring |
| 8 | W10153595 | Cover, Box |
| 9 | W10121374 | Tube, Discharge |
| 10 | 2188820 | Thermistor |
| 11 | W10205102 | Evaporator |
| 12 | W10140162 | Heater, Defrost |
| 13 | 1113048 | Clamp, Heater (2) |
| 14 | W10139908 | Seal, Return Air |
| 15 | 2220832 | Gasket, Evaporator |
| 16 | 2155774 | Wire Tie |
| 17 | 2215691 | Clip, Heat Exchanger |
| 18 | 2320554 | Support, Drain Pan |
| 20 | W10160981 | Bracket Assembly, Air Return |
| 21 | 489464 | Screw |



| Illus. No. | Part No. | DESCRIPTION |
|------------|----------|--------------------------|
| 2 | 2320601 | Shield, Valve |
| 3 | 2310191 | Wire Assembly, Ice maker |
| 5 | 628379 | Clip, Fuse |
| 6 | W1017439 | Tube, Filter Inlet |
| 7 | 2320658 | Water Tube |
| 8 | 2302758 | Seal Gasket |
| 9 | 2317912 | Tube, Filter Outlet |
| 10 | W1015984 | Valve, Solenoid |
| 12 | 2221070 | Clamp, Tube |
| 13 | 2320559 | Support, Valve |
| 14 | 2198641 | Bracket, Ice maker Cover |
| 15 | 2208136 | Clamp, Nylon Valve |
| 17 | 2302756 | Tube, Water Inlet |
| 18 | 2221232 | Cover |
| 19 | 488500 | Screw |

| Illus. No. | Part No. | DESCRIPTION |
|------------|-----------|---|
| 20 | W1012252 | Mold & Heater (Also Order 542638 Silicone Grease) |
| 21 | | Motor, (Not Serviceable Order Item 32) |
| 22 | 628356 | Cup-Water Fill |
| 23 | 627843 | Ejector |
| 24 | 2198598 | Ice Striper |
| 25 | 2194712 | Support |
| 26 | 2315522 | Retainer Thermostat (2) |
| 27 | 628397 | Thermostat (Also Order 542639 Cement Alumilastic) |
| 28 | 8533917 | Screw |
| 29 | W10139199 | Wire Assembly |
| 30 | 489276 | Screw |
| 31 | 2317041 | Cover, Ice maker |

| Illus. No. | Part No. | DESCRIPTION |
|------------|-----------|--|
| 32 | 626680 | Module Assembly (Includes Items 21 & 33) |
| 33 | 489136 | Screw (2) |
| 34 | 489464 | Screw |
| 35 | 486194 | Screw |
| 36 | 2252228 | Bracket, Ice maker Mounting |
| 100 | W10190968 | Complete Ice maker Assembly |

Following Parts Not Illustrated
(Optional Parts Only)

8537055 Cleaner, Stainless Steel
W10127748 Ice Container Assembly