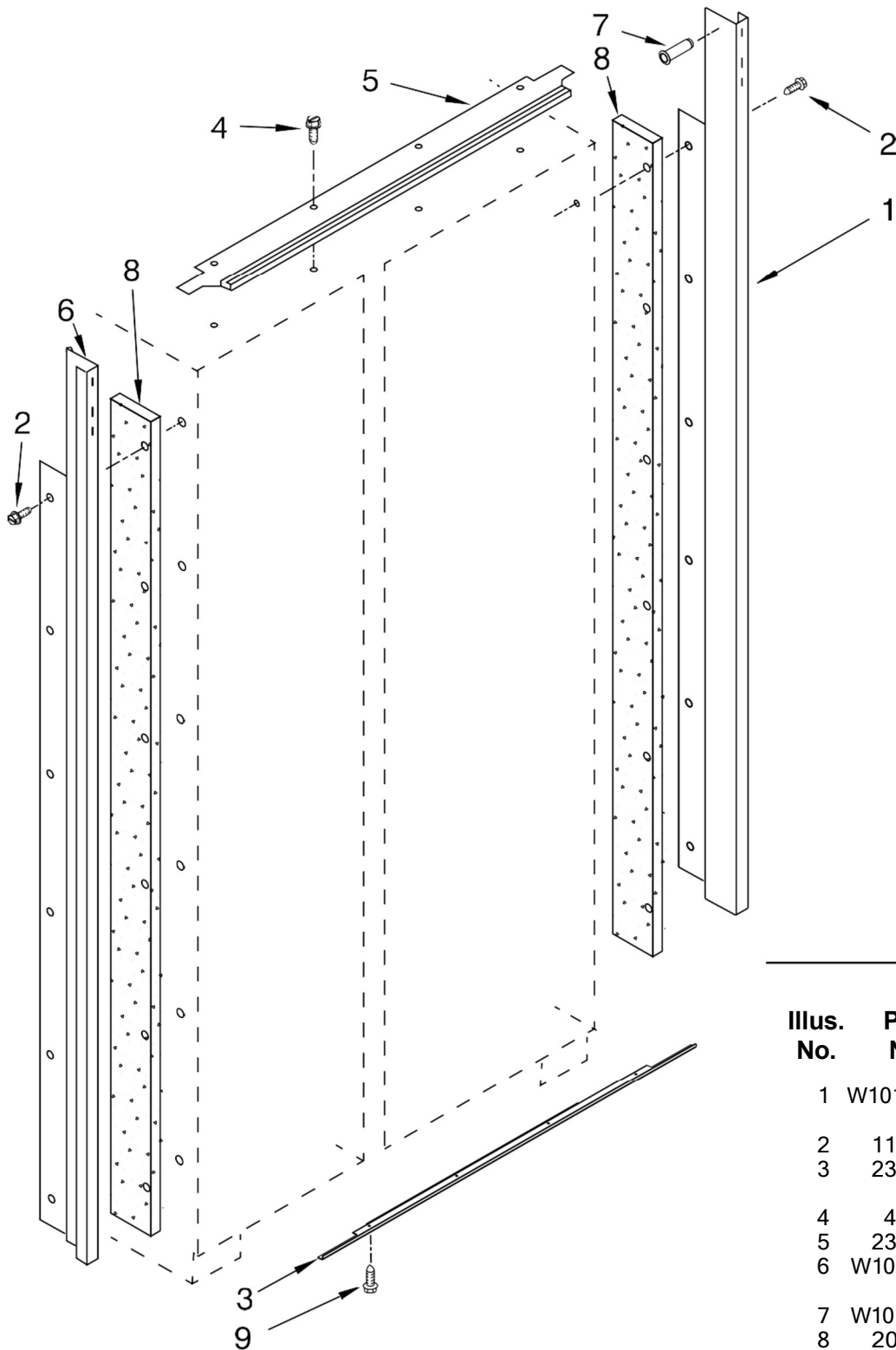


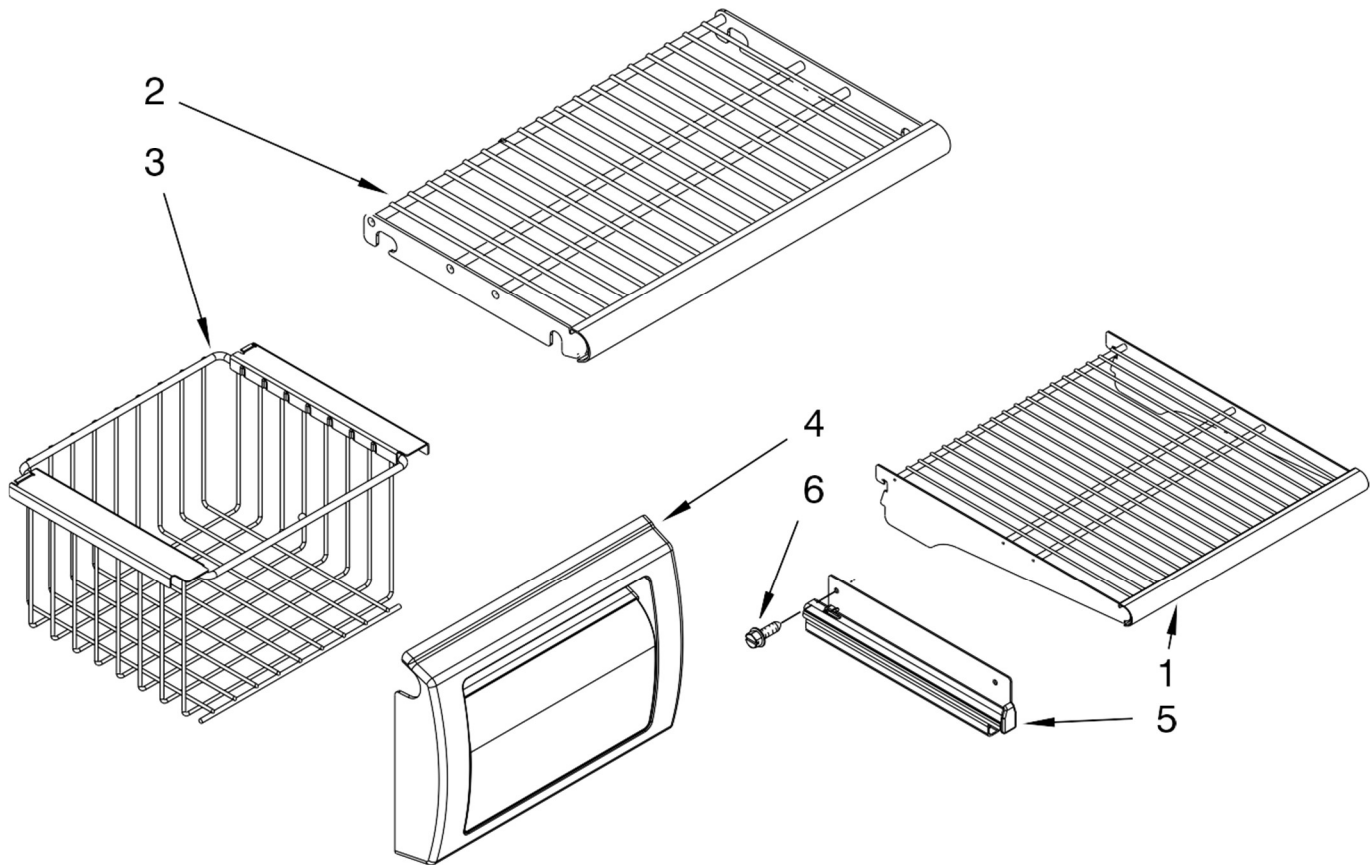
Illus. No.	Part No.	DESCRIPTION
1		Literature Parts
	W10303989	Use & Care Guide
	W10205644	Energy Guide
	W10483315	Service & Wiring Sheet
	2306424	Icemaker Service Sheet
	W10469184	Main Control Service Sheet
	W10379133	Installation Instructions
2		Cabinet (Not A Serviceable Part)
3	2260503B	Button, Filter
4	W10138054	Roller, Front & Rear
5		Support, Leveler Assembly
	W10138423	Refrigerator Side
	W10279275	Freezer Side
6	2260518B	Cap, Water Filter
7	2307640	Mounting Stud, Grille
8	2307584	Grommet, Crossover Tube
9	2320509	Cam, Door Closer
10	W10121140	Housing, Water Filter
11	2318189	Tray, Drip Filter
12	3400525	Screw

Illus. No.	Part No.	DESCRIPTION
13	4396841	Filter, Water
14	489399	Screw
15	3400230	Screw, Door Stop
16	2257644	Hinge (Top)
17	W10348782	Bracket, Mtg (Water Filter)
18	W10001250	Screw
19	2004994	Lock, Adjustable Bushing
20	2300082	Bushing
21	2004514	Clip, Conduit
22	2221242	Spring, Door Closure
23	486194	Screw
24	2005008	Retaining Ring, Adjustable Bushing
25	W10129069	Wire Clip
26	2006342	Gap, Cover Assembly (Bottom)
27		Hinge (Bottom)
	2006780	Freezer Side
	2006779	Refrigerator Side
28	2302876	Bushing, Adjustable
29	8533913	Screw
30	2209026B	Skirt-Grille, Bottom
31		Extension Arm, Door Closer
	2266882	Right
	2266881	Left
32	2325186B	Grille Bottom, Front

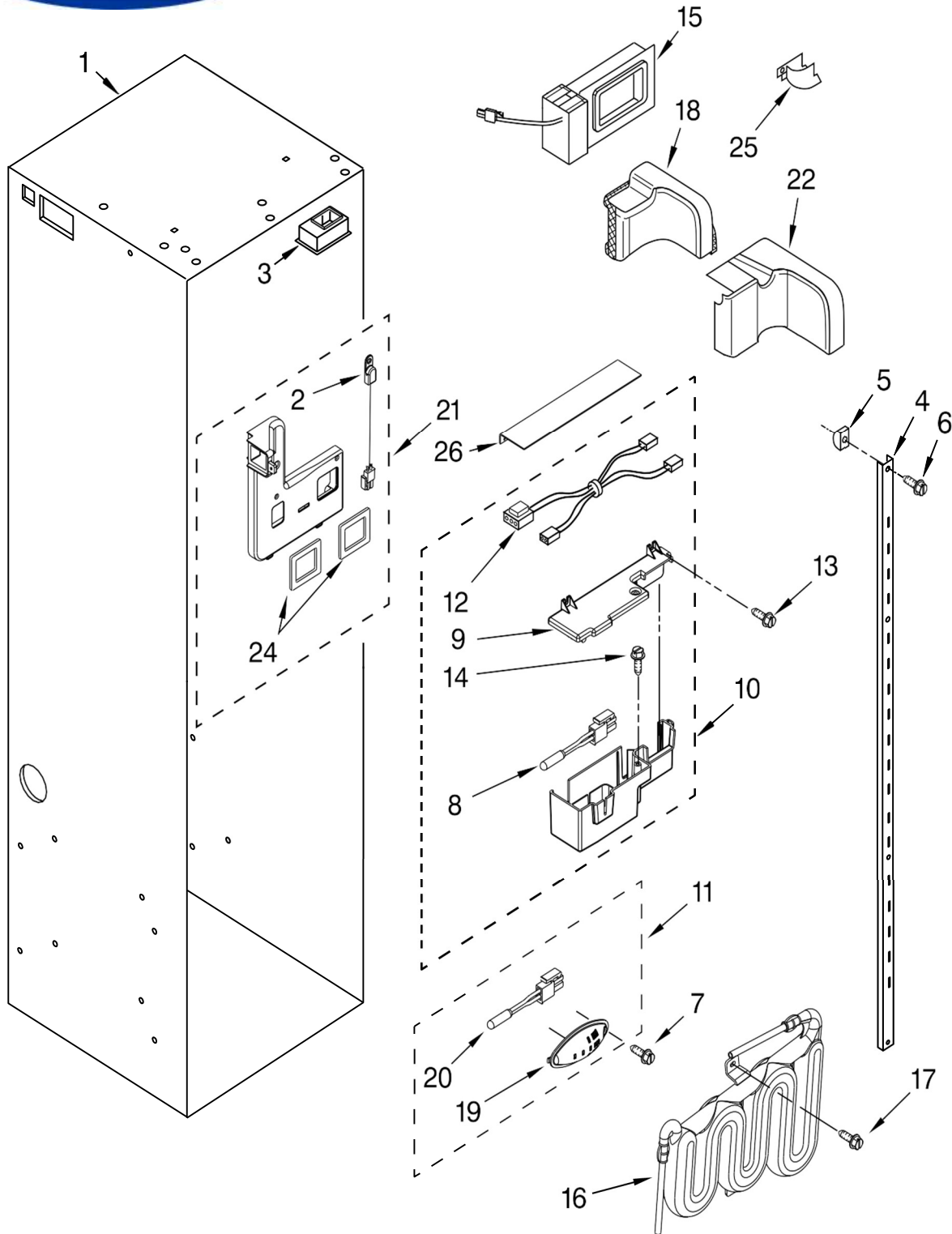
Illus. No.	Part No.	DESCRIPTION
33	W10485630	Screw
34		Bracket, Support Base (Front)
	2006616	Left
	2006556	Right
35	1157158	Screw
36	2006617	Bracket, Support Base (Rear)
37	2006346	Washer
38	2316859	Bushing, Extension Arm
39	1163283	Screw
40	W10271541	Connector, Water Tube
41	8281163	Screw
42	1118894	Switch, Rocker Arm Refrigerator Door Side
	1115373	Freezer Door Side
43	2215938	Cover, Switch
44	487415	Screw
45		Bracket, Switch
	2221097	Right
	2221096	Left
46	2215612	Cover, Rear
47	2005032	Leveler
48	2006841	Ring
49	2307857	Cam Assembly
50	W10167456	Wire Assembly RC/FC Light Switch



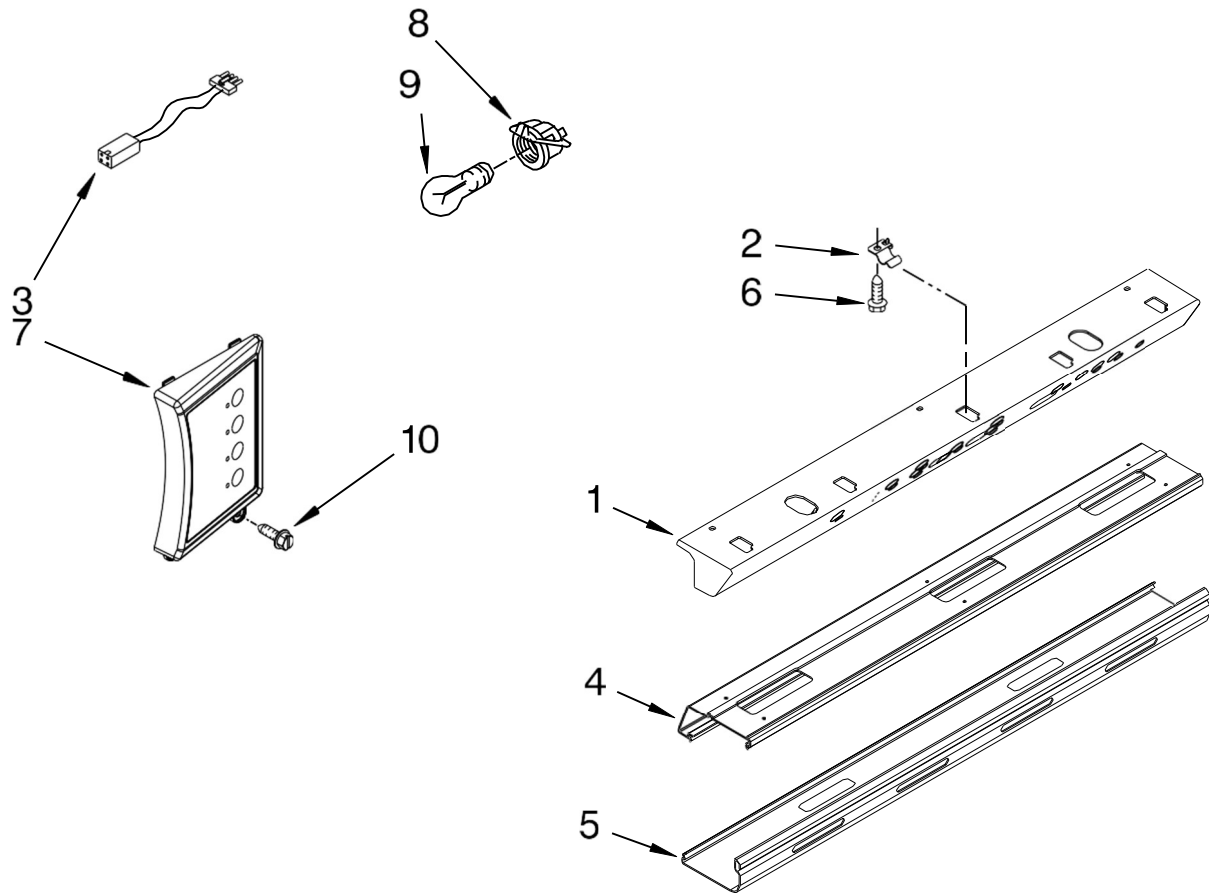
Illus. No.	Part No.	DESCRIPTION
1	W10132472	Cabinet, Trim (Right Side)
2	1163283	Screw
3	2316688	Cabinet, Trim (Bottom)
4	486194	Screw
5	2314018	Cabinet, Trim Top
6	W10132541	Cabinet Trim (Left Side)
7	W10121451	Nutsert
8	2005925	Seal-Trim, Side
9	W10001250	Screw



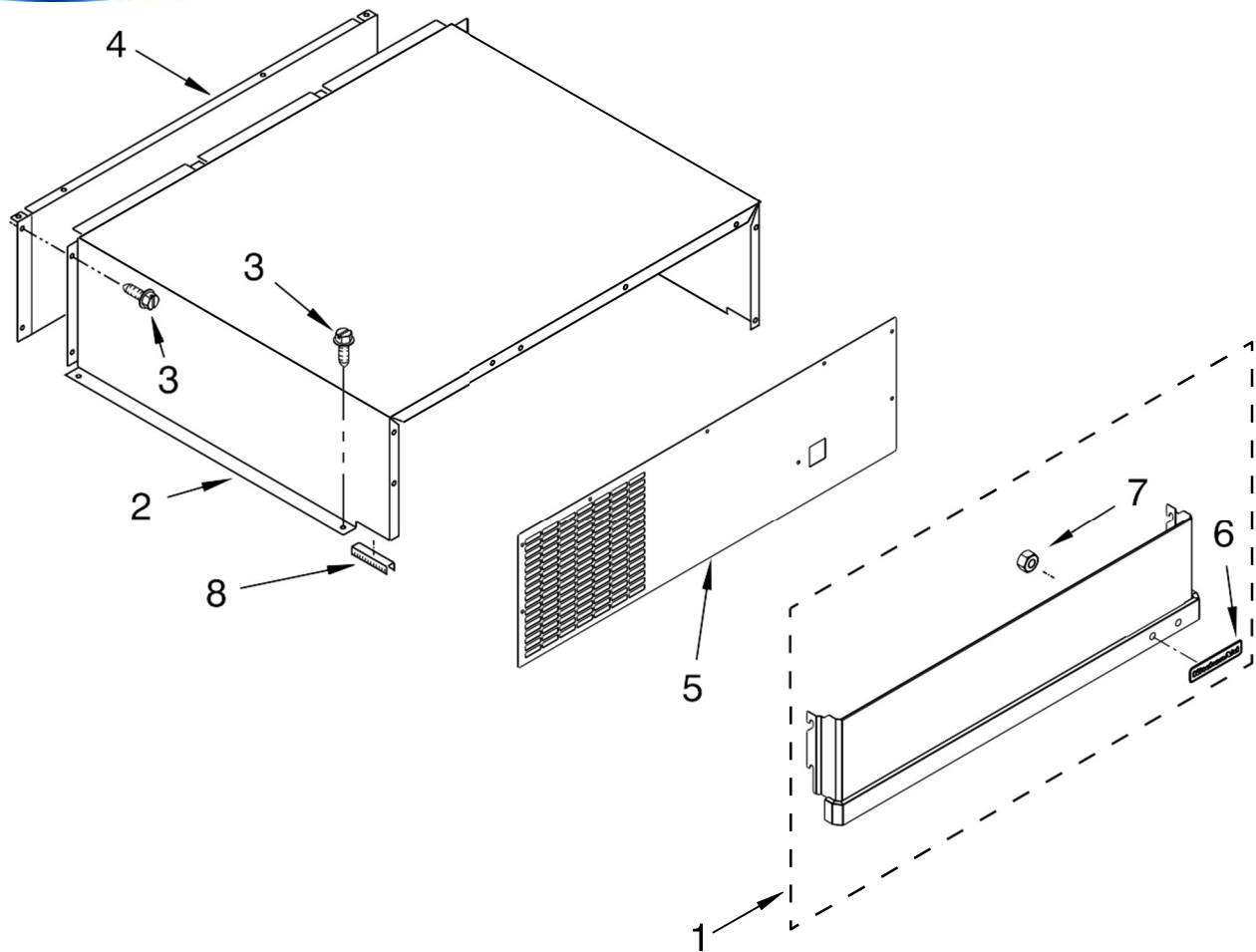
Illus. No.	Part No.	DESCRIPTION
1	W10175906	Wire, Shelf
2	2302884	Shelf, Fixed
3	2259083	Basket
4	2256271	Front, Basket
5		Slide, Basket
	2259317	Right
	2259318	Left
6	8533928	Screw



Illus. No.	Part No.	DESCRIPTION
1		Liner (Not A Serviceable Part)
2	2306010	Thermistor
3	2208970	Air Duct
4	2259077	Ladder, Shelf
5	520965	Screw Support, Ladder
6	2006475	Screw
7	487539	Screw
8	2302937	Thermistor
9	2302986	Lid, Meat Pan Baffle
10	W10169528	Baffle Control Assembly
11	2317844	Thermistor Assy
12	2310205	Jumper, Air Baffle
13	8533929	Screw
14	486194	Screw
15	2221296	Air Baffle Assembly
16	2327509	Water Reservoir
17	W10141518	Screw
18	2309222	Diffuser Assembly
19	2317105	Cover, Thermistor
20	2188820	Thermistor
21	W10475010	Spacer, Air-Baffle
22	2309087	Cover, Diffuser
24	2259398	Seal, Air Duct (Square Hole)
25	2003577	Guard
26	W10159488	Diverter



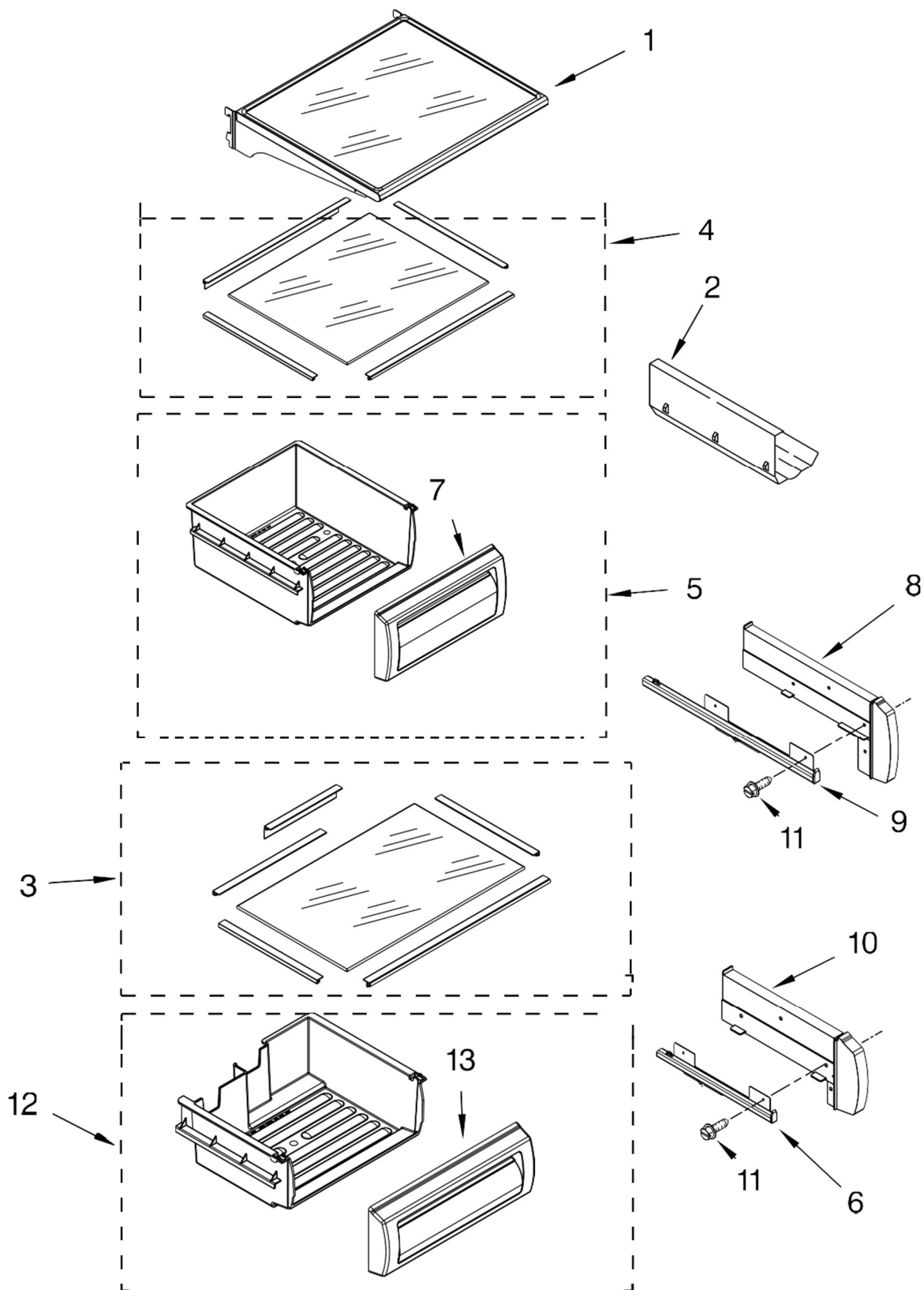
Illus. No.	Part No.	DESCRIPTION
1	W10468941	Control Box
2	2317000	Clip, Box
3	2310390	Wire, Jumper
4	2307592	Bracket, Control Box
5	2307596	Shield, Control Box
6	487539	Screw
7	2306086	Control, Electric
8	W10191429	Socket, Light
9	2326255	Light Bulb
10	W10142283	Screw



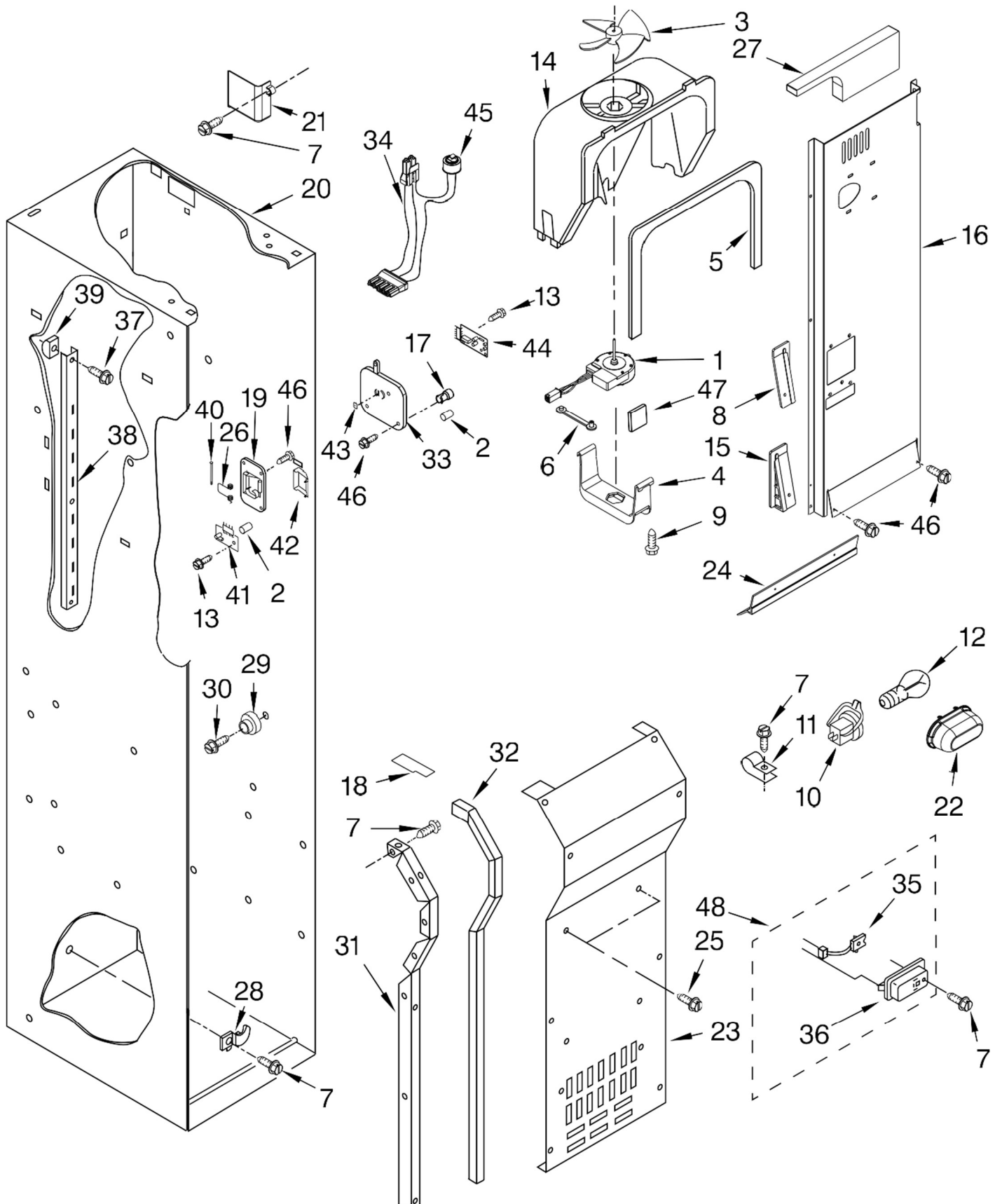
Illus. No.	Part No.	DESCRIPTION
1	W103211007	Panel, Decorative Assembly
2	W10188580	Cover, Unit
3	486194	Screw
4	2256466	Back Panel
5	W10185625	Cover, Unit Front
6	2317923S	Badge, Kitchen Aid
7	2004333	Nut
8	2215910	Grommet-Flexible



REFRIGERADOR KSSC48QVS04



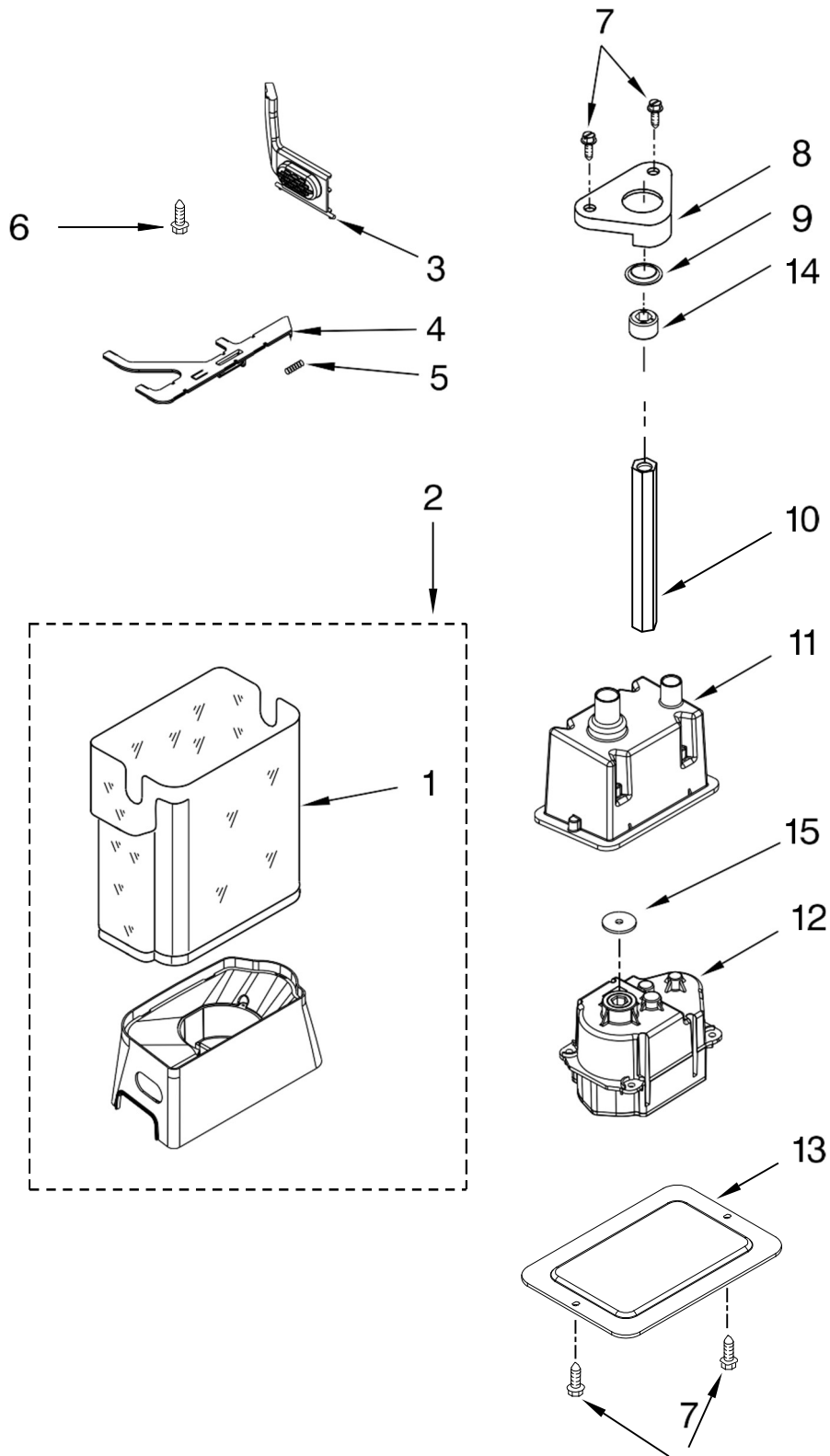
Illus. No.	Part No.	DESCRIPTION
1	2222593	Shelf Assembly
2	2179404	Rack, Wine
3	2302843	Assembly, Meat Pan Cover
4	2302836	Assembly, Crisper Cover
5	W10407625	Crisper Pan
6		Slide, Meat Pan
	2302954	Left
	2302955	Right
7	2256249	Front, Crisper Pan
8		Spacer, Crisper
	2256222	Right
	2256223	Left
9		Slide, Crisper
	2302956	Left
	2302957	Right
10		Spacer, Meat Pan
	2256243	Left
	2256244	Right
11		Screw
	8533929	Right
	8533928	Left
12	W10407628	Pan Assembly Meat
13	2256367	Front, Meat Pan



Illus. No.	Part No.	DESCRIPTION
1	W10436861	Fan Motor
2	2198665	Tube, P.C. Board
3	2169142	Fan Blade
4	W10260421	Retainer, Fan Motor
5	2302817	Gasket, Cover
6	W10321090	Grommet
7	486194	Screw
8	2259464	Wedge, Air Duct
9	486194	Screw, Ground
10	W10191429	Socket, Light
11	2221070	Clamp, Nylon
12	2326255	Light Bulb
13	489214	Screw
14	2182120	Scroll, Fan
15	2259465	Wedge, Air Duct
16	2307775	Air Duct
17	2198643	Lens
18		Block, Fan Scroll
	2209482	Right
	2209066	Left

Illus. No.	Part No.	DESCRIPTION
19	2215650	Cover, Emitter
20		Liner (Not A Serviceable Part)
21	2259025	Cover, Air Outlet
22	2307751	Light Shield
23	W10428001	Cover, Evaporator
24	2302851	Support, Air Duct
25	487539	Screw
26	2198635	Spring
27	2309284	Deflector, Air Duct
28	1112260	Support, Evaporator
29	2196205	Shelf, Stud
30	W10191952	Screw
31		Evaporator, Cover Rail
	2221107	Left
	2259355	Right
32	2220904	Gasket Evaporator Cover

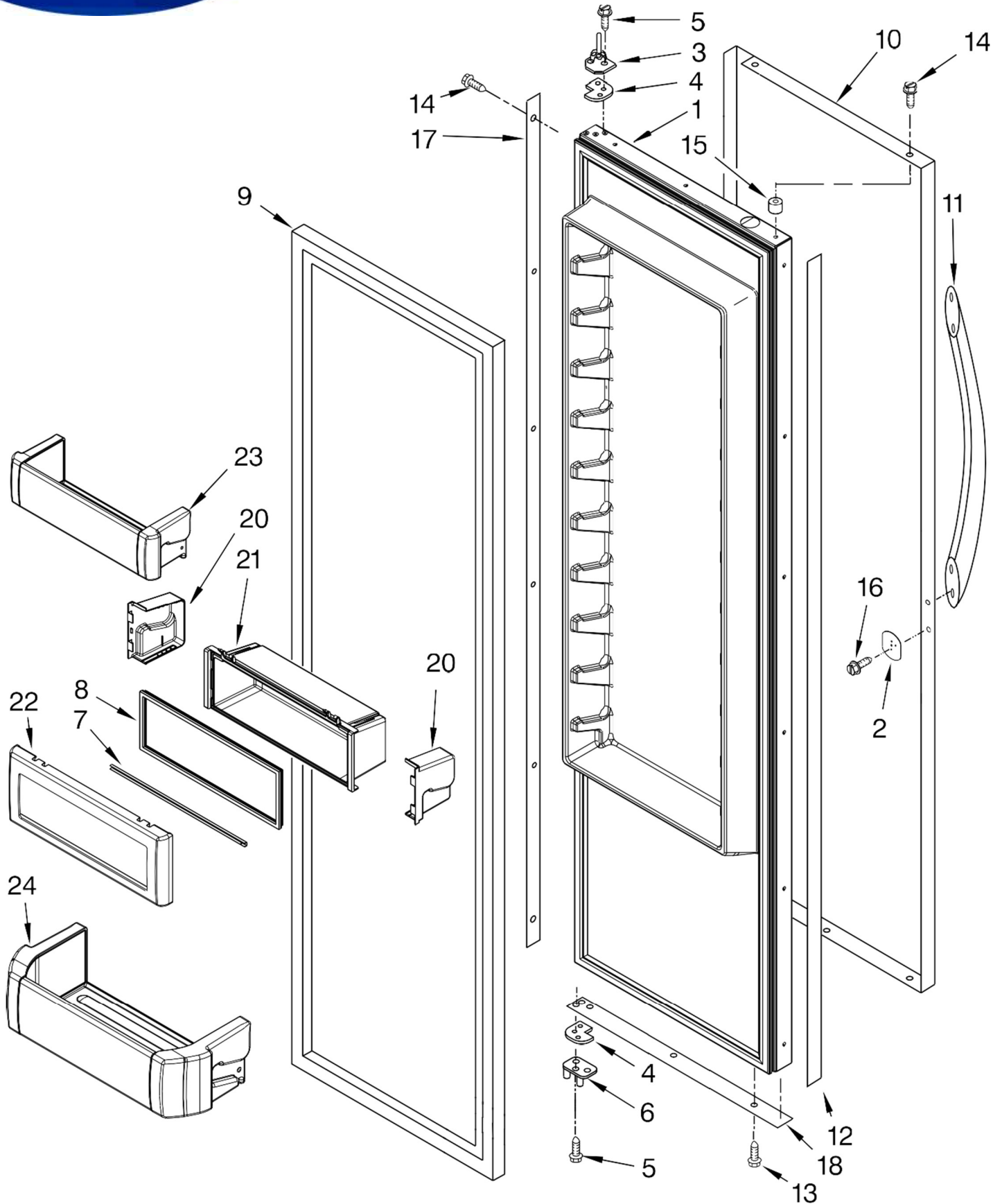
Illus. No.	Part No.	DESCRIPTION
33	2259493	Cover, Receiver
34	W10139189	Harness, Evap Fan (Includes Item 45)
35	2306010	Thermistor
36	2317105	Cover, Thermistor
37	2006475	Screw
38	2259032	Ladder, Shelf
39	2259445	Support, Screw
40	2198634	Pin
41	W10193840	P.C. Board Emitter
42	2198633	Flipper
43	2255563	Slide, Ice maker Shut Off
44	W10290817	P.C. Board, Receiver
45	W10160570	Defrost, Bi-Metal
46	W10142283	Screw
47	W10267707	Insulation, Sound
48	2317844	Thermistor Assy



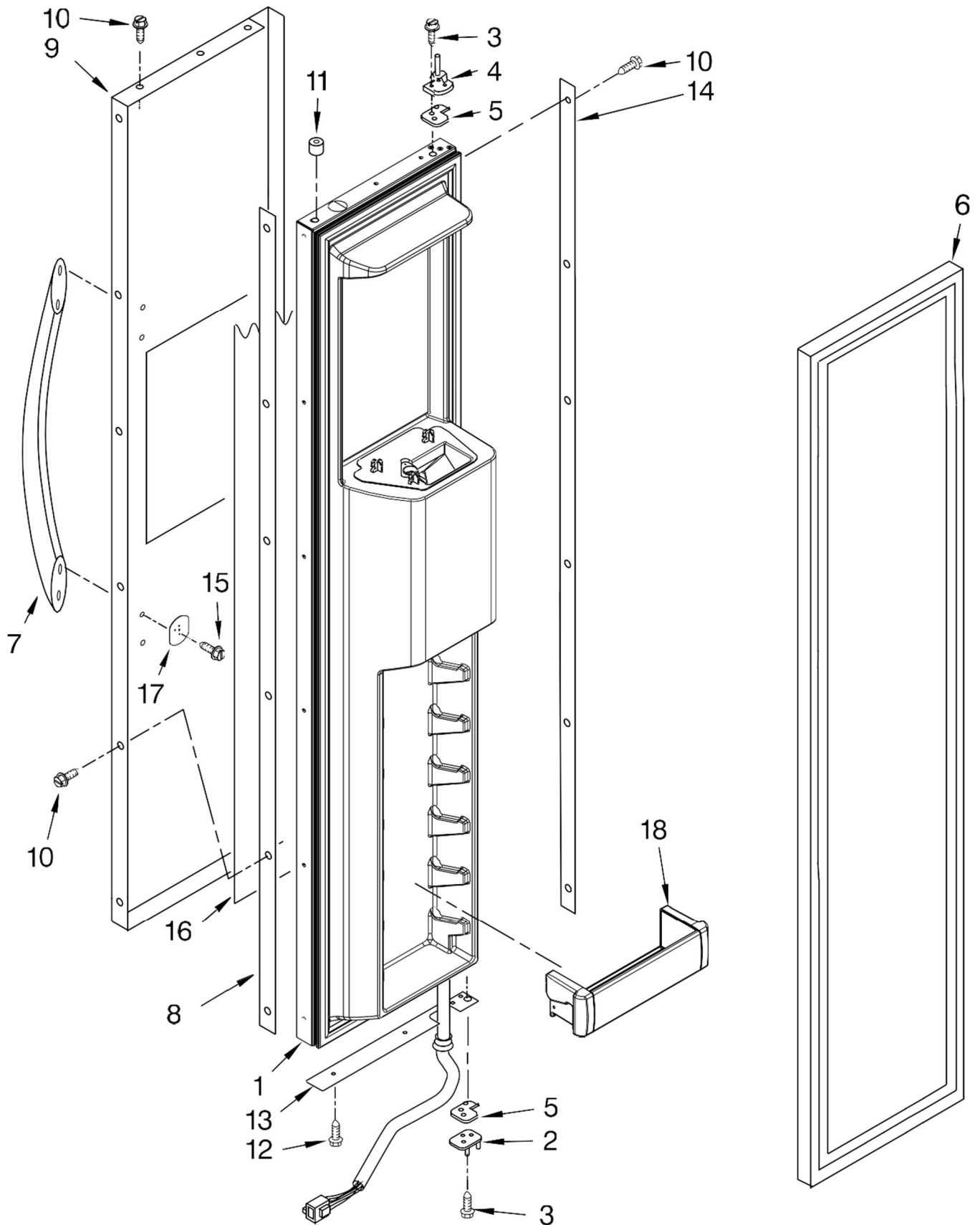


REFRIGERADOR KSSC48QVS04

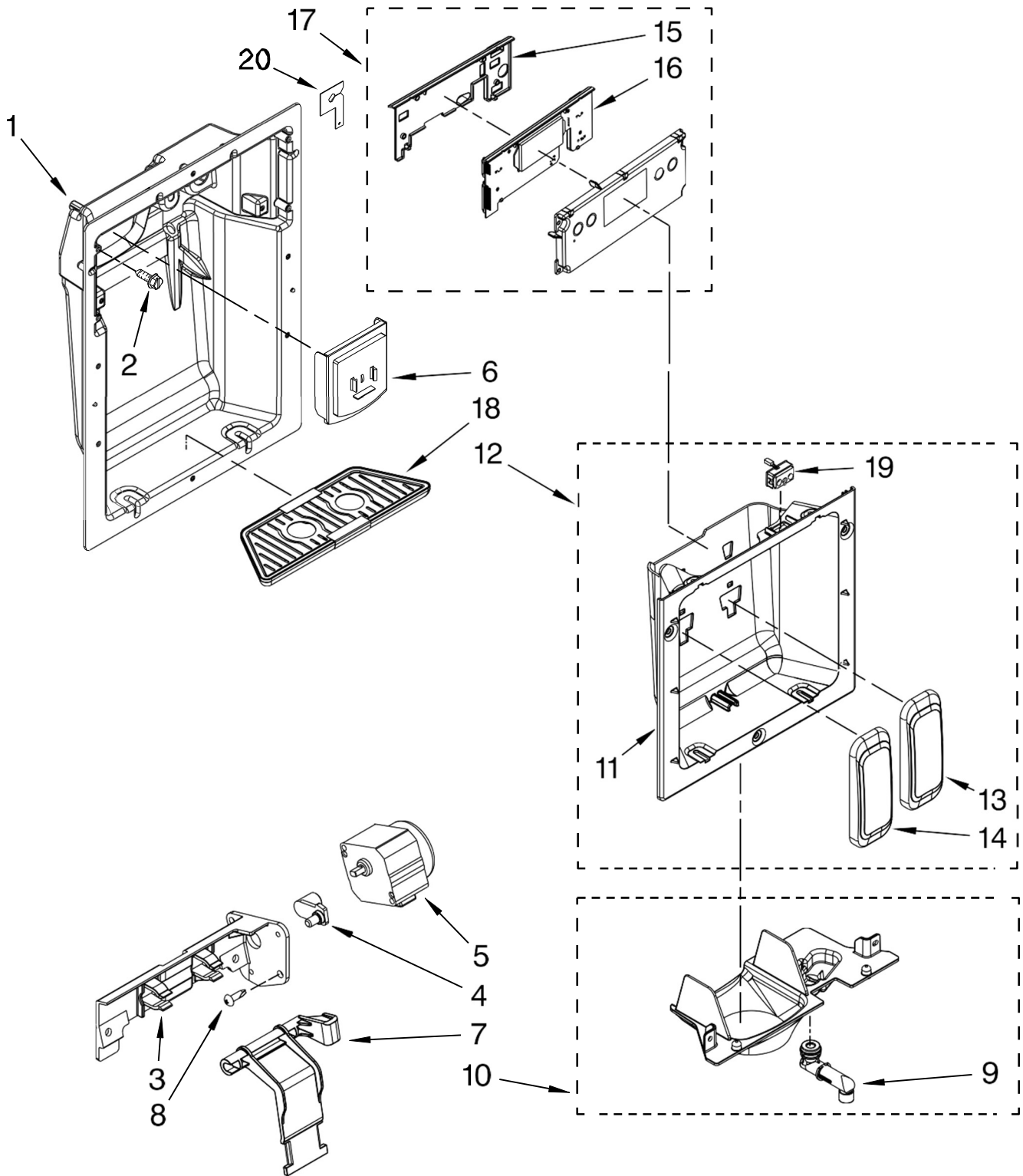
Illus. No.	Part No.	DESCRIPTION
1	2222970	Ice Bin
2	W10395656	Ice Container Assembly
3	2252265	Button, Bin
4	W10134785	Latch, Bin
5	2198608	Spring, Latch
6	2198671	Screw
7	8281163	Screw
8	2188919	Holder
9	2198628	Seal
10	2318082	Drive Shaft
11	2318011	Enclosure, Motor
12	2315547	Dispenser, Motor
13	2318028	Cover
14	2315559	Sleeve. Coupling
15	W10254073	Rubber, Washer



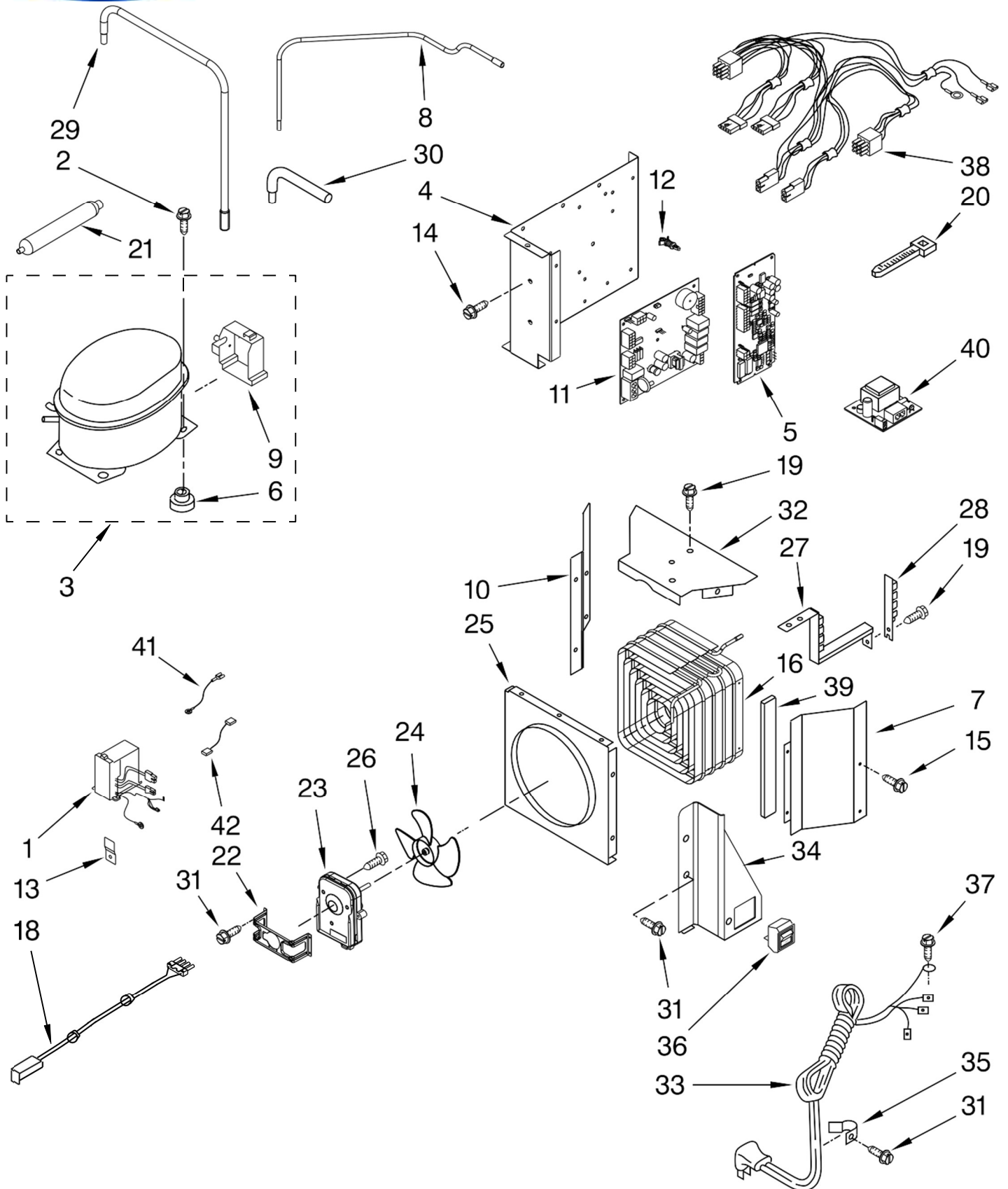
Illus. No.	Part No.	DESCRIPTION
1	W10193491	Refrigerator Door Panel (Includes Item #9)
2	W10127710	Plate Door, Handle
3	2266854	Hinge Assembly, Top
4	2316804	Spacer-Door, Top & Bottom
5	W10162602	Screw
6	2302878	Hinge Assembly, Bottom
7	2257617	Rail, Utility Lid
8	2222983	Gasket, Utility Bin
9	2222812	Door Gasket, Magnetic
10	2307754	Skin, Door
11	2316868	Handle, Door
12	2309060	Spacer, Door-Skin (Handle Side)
13	488568	Screw
14	8281250	Screw
15	2005433	Spacer, Door-Skin (Top)
16	308544	Screw, Handle
17	W10142296	Spacer, Door-Skin (Hinge Side)
18	2004935	Spacer, Door-Skin (Bottom)
20		End Cap
	W10323172	Right
	W10323173	Left
21	W10323037	Bin, Utility Center
22	2257617	Door, Utility Bin
23	W10323600	Bin, Door
24	W10323748	Bin, Door



Illus. No.	Part No.	DESCRIPTION
1	W10292433	Freezer Door Panel (Includes Item #6)
2	2302879	Hinge, Bottom
3	W10162602	Screw
4	2266854	Hinge, Top
5	2316804	Spacer-Door, Top & Bottom
6	2222810	Door Gasket, Magnetic
7	2316868	Handle, Door
8	2309060	Spacer, Door-Skin (Handle Side)
9	2307311	Skin, Door
10	8281250	Screw
11	2005433	Spacer, Door-Skin (Top)
12	488568	Screw
13	2257396	Spacer, Door-Skin (Bottom)
14	W10142296	Spacer, Door-Skin (Hinge Side)
15	308544	Screw, Handle
16		Filler, Door
	2328903	Top
	2328904	Bottom
17	W10127710	Plate Door, Handle
18	W10323603	Bin, Door



Illus. No.	Part No.	DESCRIPTION
1		Housing, Dispenser (Not Serviced)
2	486194	Screw
3	W10132946	Bracket, Motor
4	2305242	Connector, Door Bracket
5	W10205979	Motor, Ice Door
6	W10504458	Door, Ice
7	2318020	Support, Ice Door
8	4449745	Screw
9	2305235	Spigot
10	2318017	Separator Assembly
11		Housing, Middle (Not Available Order Item 12)
12	W10260622	Housing Assembly
13	2305307GN	Water, Paddle Asy
14	2305306GN	Ice, Paddle Asy
15	2305219	Cover, Control
16	2321746	Electronic Control (Includes #15)
17	W10151236	User Interface Asy
18	2318062US	Tray, Housing
19	2305342	LED Assembly
20	2305447	Clip, Wiring



Illus. No.	Part No.	DESCRIPTION
1	W10449006	Inverter Box
2	489373	Screw, Compressor Mounting
3	W10173296	Compressor (Includes Items 6 & 9)(Also Order 876765 Tube Kit)
4	W10321056	Housing, Control Board
5	2318054	Control Board
6	1100826	Grommet, Mounting
7	W10415668	Support, Condenser
8	W10234133	Tube, Transiton (Cond/Ht Loop) (Right)
9	2215676	Terminal Cover
10	W10415666	Support, Condenser (Left)
11	W10427079	Control Board
12	2203075	Spacer
13	2256328	Bracket, Inverter Box
14	487539	Screw
15	1157158	Screw
16	2307998	Condenser
18	2310207	Wire, Jumper
19	489399	Screw
20	2155774	Wire Tie

Illus. No.	Part No.	DESCRIPTION
21	W10175593	Drier
22	W10414681	Bracket, Fan Motor (Condenser Fan)
23	2188875	Motor, Fan
24	W10139483	Blade, Fan
25	W10415670	Orifice, Fan
26	8533993	Screw
27	2317031	Bracket, Vibration (Condenser)
28	2317030	Arm, Vibration (Condenser)
29	2307566	Tube, Transition (Condenser/Drier)
30	2194319	Tube, Process
31	486194	Screw
32	2309000	Cover, Condenser
33	2310196	Service Cord
34	W10321055	Bracket, Mounting (Power Switch)
35	549193	Clamp, Cord
36	2266802	Switch, Power Disconnect
37	487294	Screw, Ground
38	W10178860	Wiring Harness, Unit Compartment
39	2309432	Gasket, Condenser
40	2310251	Power Supply,
41	W10495645	Inverter, Ground

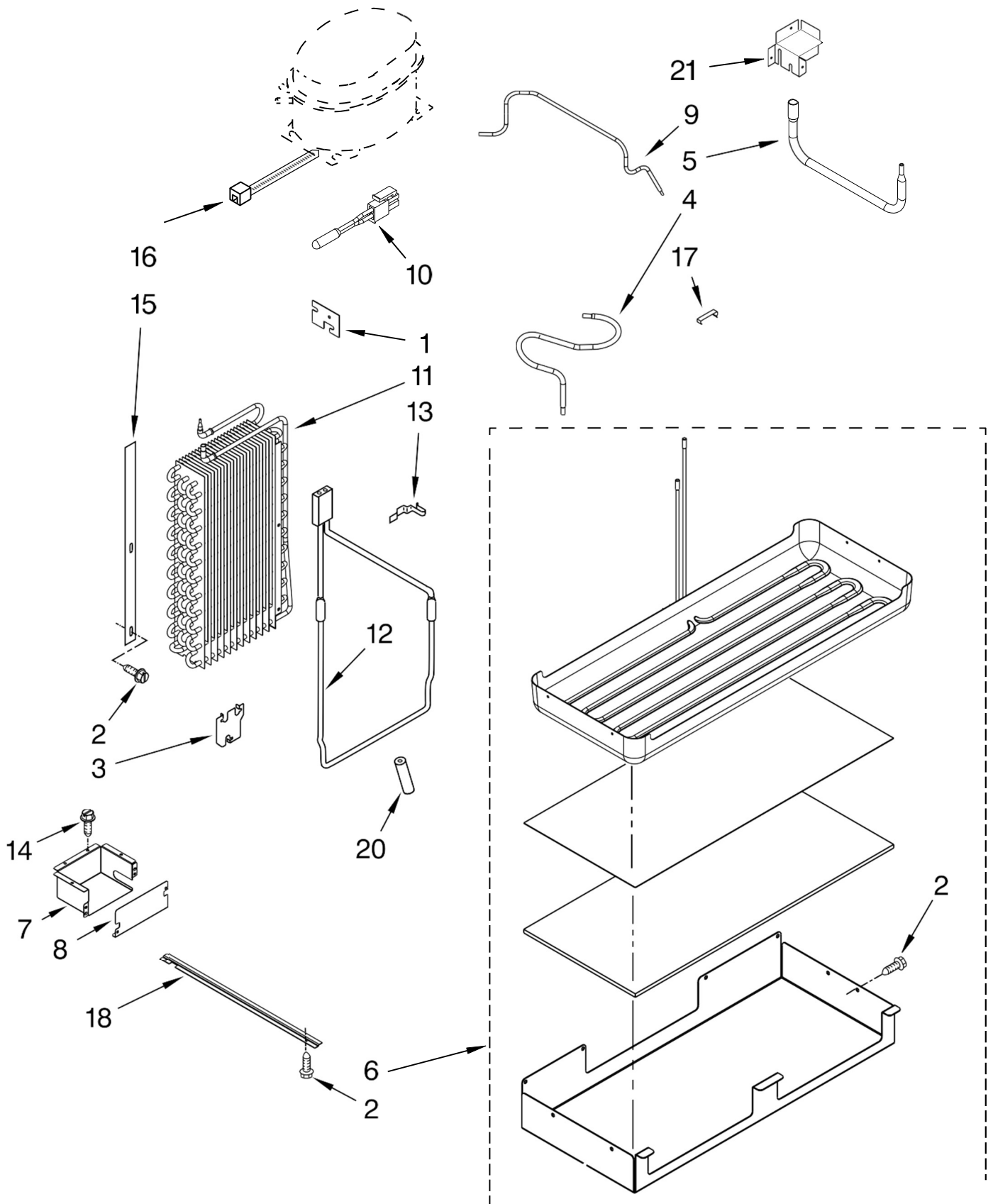
Illus. No.	Part No.	DESCRIPTION
42	W10483905	Inerter, Jumper

Following Parts Not Illustrated and Optional Parts Not Included

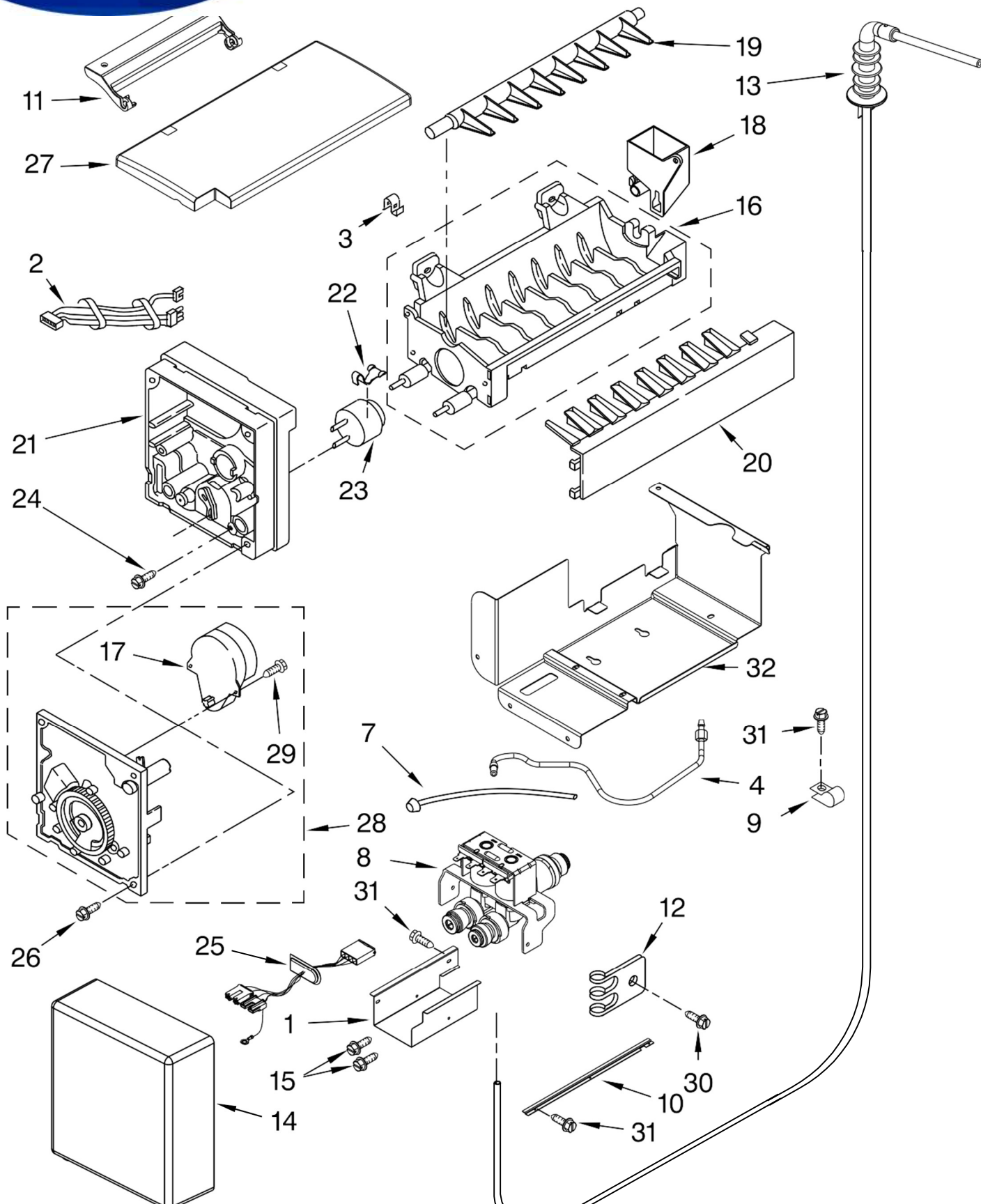
978025	Valve, Access (1/4")
978026	Valve, Access (5/16")
978027	Valve, Access (3/8")
978028	Valve, Access (1/2")
978029	Valve, Access (5/8")
978030	Valve, Access (3/4")
876764	Valve, Access (3/16")

REFRIGERANT CHARGE

7.50 oz.
(R)



Illus. No.	Part No.	DESCRIPTION
1	W10139908	Cover, Seal
2	486194	Screw
3	W10157752	Bracket
4	W10431124	Suction Tube Oil Trap
5	W10388653	Tube, Connect (Drier/Restrictor)
6	W10281063	Drain Pan Assy.
7	W10309012	Cover, Wiring
8	W10321048	Cover, Box
9	W10412485	Tube, Discharge
10	2188820	Thermistor
11	W10427993	Evaporator
12	W10140162	Heater, Defrost
13	1113048	Clamp, Heater
14	W10321050	Shield, Wiring Cover
15	W10432308	Gasket, Evaporator
16	4389107	Wire Tie
17	W10169509	Clip, Heat Exchanger
18	2320554	Support, Drain Pan
20	2215648	Dampener
21	W10160981	Bracket Assy



Illus. No.	Part No.	DESCRIPTION	Illus. No.	Part No.	DESCRIPTION	Illus. No.	Part No.	DESCRIPTION
1	2320601	Shield, Valve	17		Motor, (Not Serviceable Order Item 28)	32	2252228	Bracket, Icemaker Mounting
2	2310191	Wire Assembly, Icemaker	18	W10272168	Cup-Water Fill	100	2320636	Complete Icemaker Assembly
3	628379	Clip, Fuse	19	627843	Ejector	<hr/> Following Parts Not Illustrated (Optional Parts Only) <hr/>		
4	W10296807	Tube, Filter Inlet	20	W10272161	Ice Stripper			
7	W10437853	Tube, Filter Outlet	21	2194712	Support			
8	W10159842	Valve, Solenoid	22	2315522	Retainer			
9	2221070	Clamp, Tube	23	W10290336	Thermostat			
10	2320559	Support, Valve			Thermostat (Also Order 542639 Cement Alumilastic)			
11	2198641	Bracket, Icemaker Cover	24	8533917	Screw			W10355016 Affresh Stainless Steel Cleaner
12	2208136	Clamp, Nylon Valve	25	W10279391	Wire Assembly			W10355010 Affresh Kitchen Appliance Cleaner
13	W10357286	Fitting, Water	26	489276	Screw			W10355049 Affresh Stainless Steel Wipes
14	W10289690	Cover	27	2317041	Cover, Icemaker			REFDEODOR Deodorizer Pack
15	W10141604	Screw	28	W10223929	Module Assembly (Includes Items 17 & 29)			W10129081 Handle Kit for Previous Architect Series (Stainless)
16	W10122527	Mold & Heater (Also Order 542638 Silicone Grease)	29	489136	Screw			
			30	W10001250	Screw			
			31	486194	Screw			