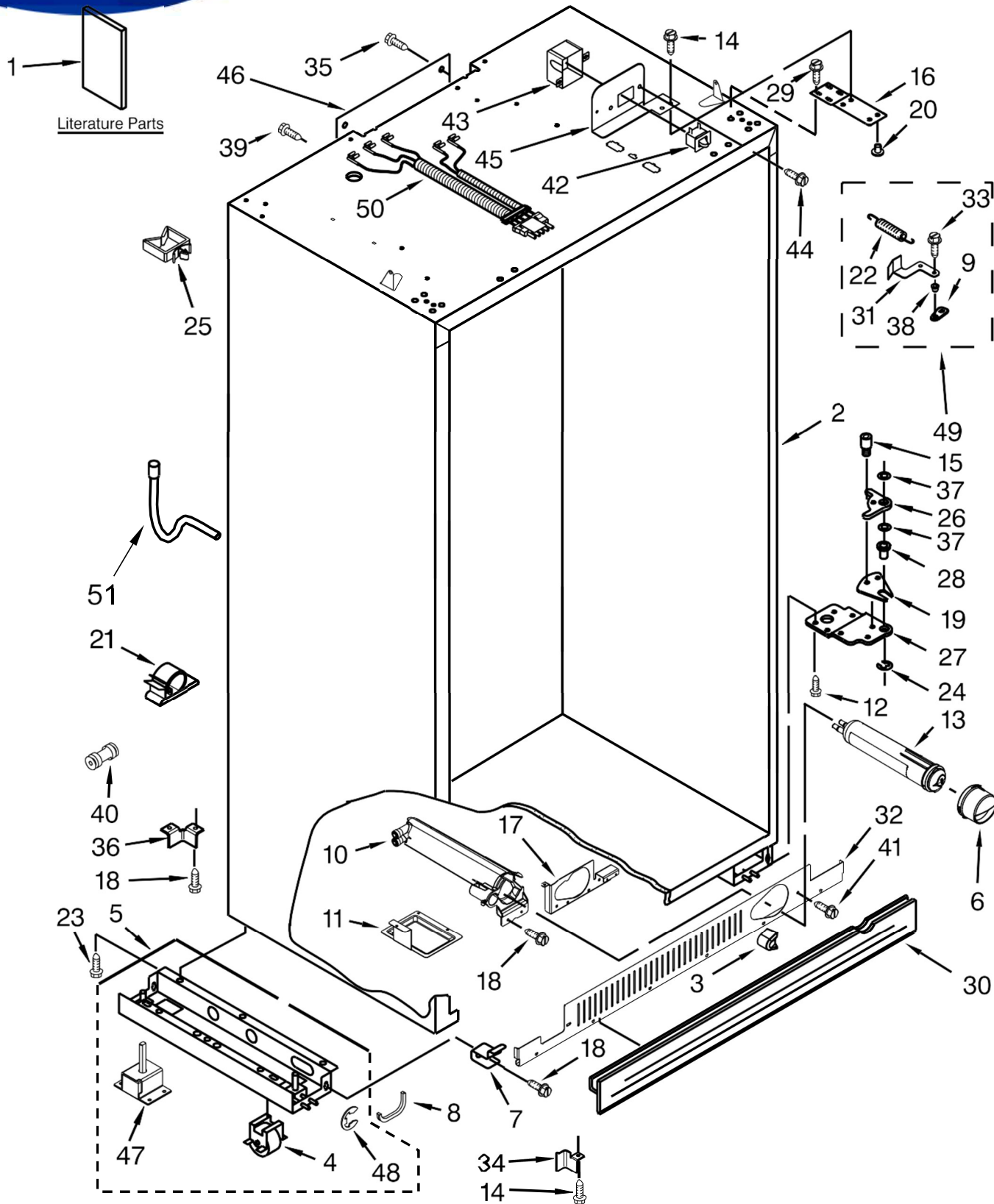


**KitchenAid®**

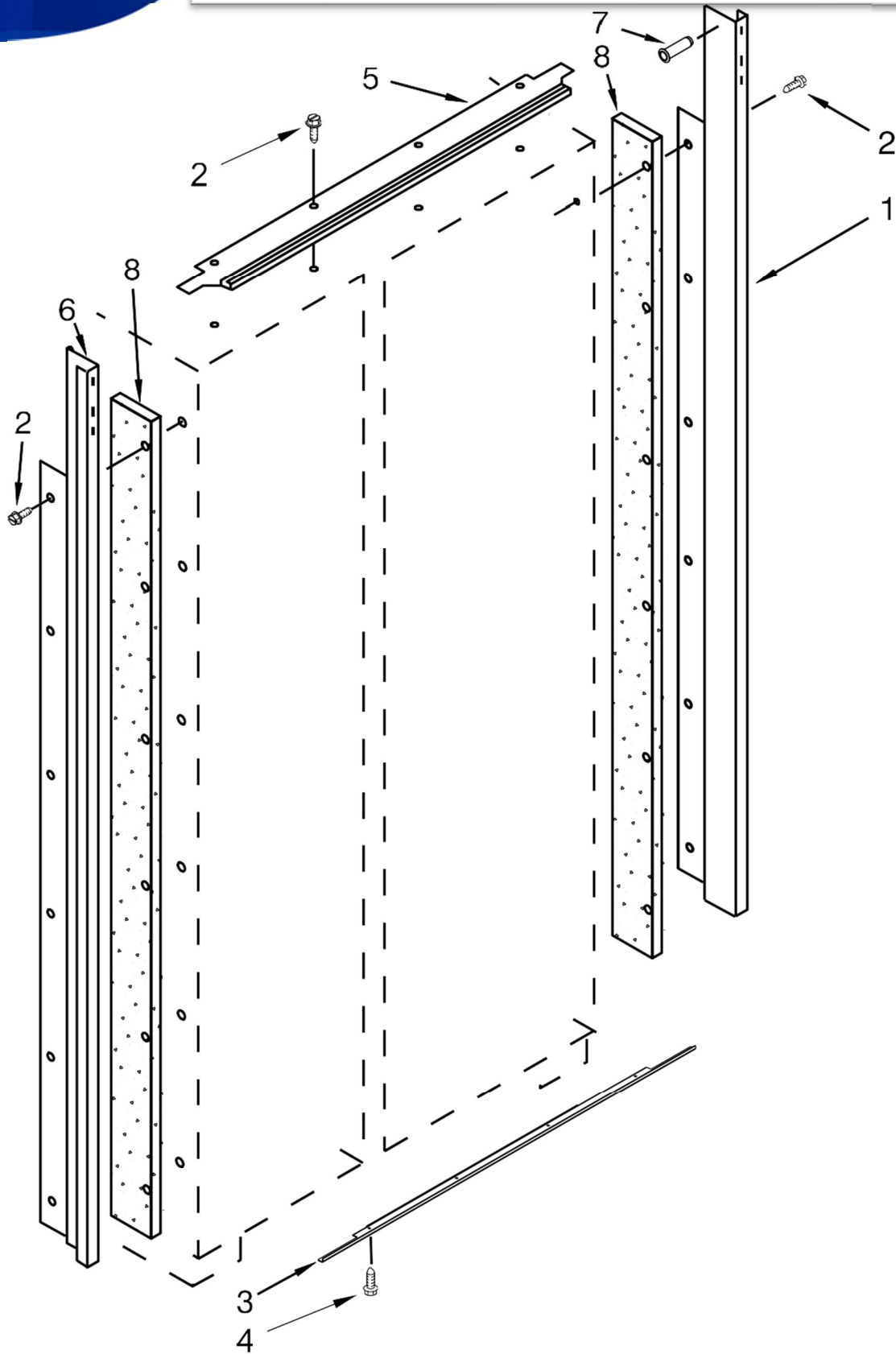
**48" BUILT IN REFRIGERATOR**

**MODELS:**

KSSC48QVS10 (Stainless Steel)



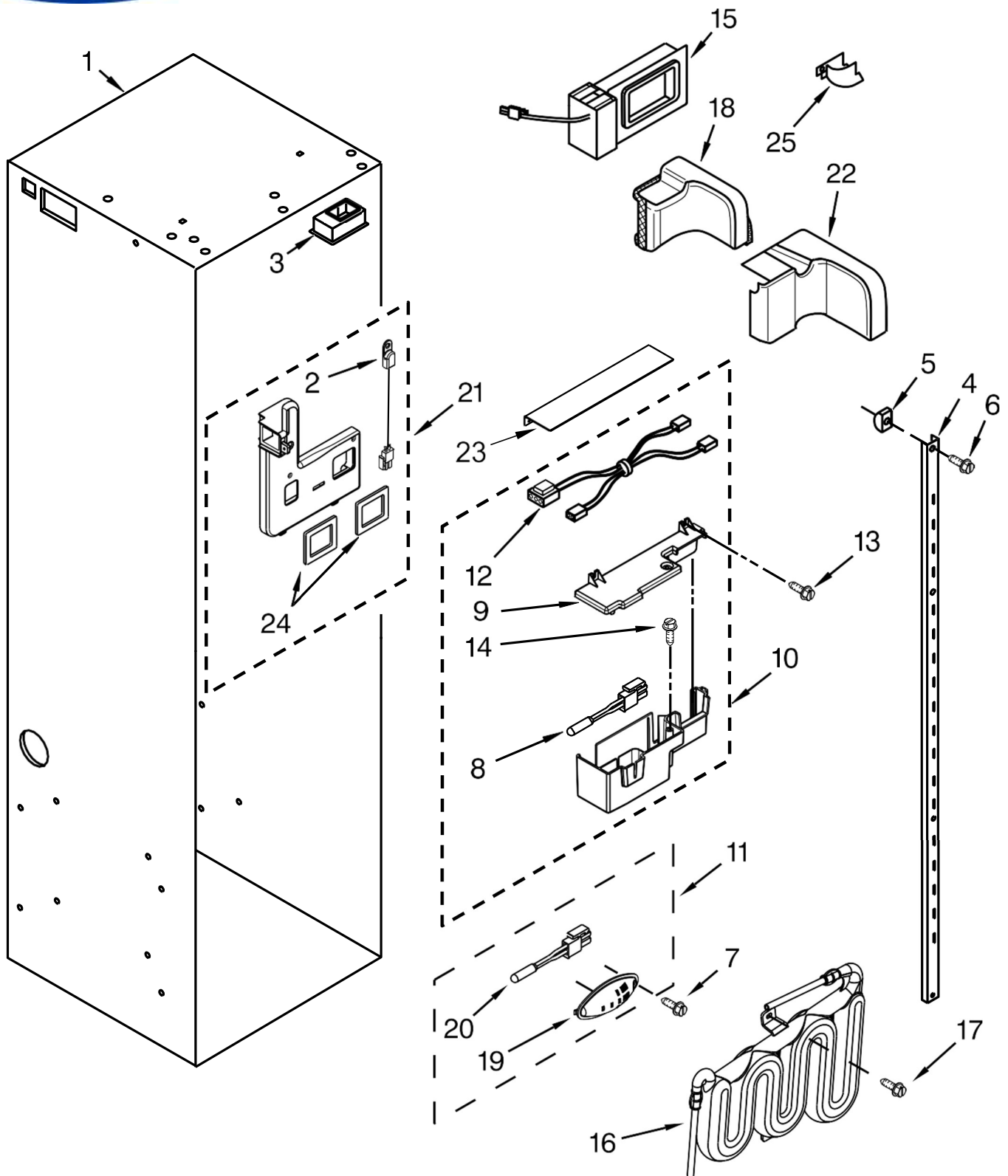
| <u>Illus. No.</u> | <u>Part No.</u> | <u>Description</u>                                | <u>Illus. No.</u> | <u>Part No.</u> | <u>Description</u>           | <u>Illus. No.</u> | <u>Part No.</u> | <u>Description</u>                       |
|-------------------|-----------------|---|-------------------|-----------------|------------------------------|-------------------|-----------------|--|
| 1                 |                 | Literature Parts                                  | 14                | 489399          | Screw                        | 34                |                 | Bracket, Support Base (Front)            |
|                   | W10681391       | Use and Care Guide                                | 15                | 3400230         | Screw                        |                   | 2006616         | Left Hand                                |
|                   | W10703433       | Energy Guide                                      | 16                | 2257644         | Hinge, Top                   |                   | 2006556         | Right Hand                               |
|                   | W10483315       | Service and Wiring Sheet                          | 17                | W10674648       | Bracket, Filter              | 35                | 1157158         | Screw                                    |
|                   | 2306424         | Icemaker and Ingredient Care Center Service Sheet | 18                | W10001250       | Screw                        | 36                | 2006617         | Bracket, Base Support                    |
|                   | W10469184       | Main Control Service Sheet                        | 19                | 2004994         | Lock, Bushing                | 37                | 2006346         | Washer, Extension Arm                    |
|                   | W10681447       | Installation Instructions                         | 20                | W10484913       | Bushing, Top Hinge           | 38                | 2316859         | Bushing, Extension Arm                   |
| 2                 |                 | Cabinet (Not A Serviceable Part)                  | 21                | W10663352       | Clip                         | 39                | 1163283         | Screw                                    |
| 3                 |                 | Button, Water Filter                              | 22                | 2221242         | Spring, Door Closure (Green) | 40                | W10271541       | Connector, Union                         |
|                   | 2260503B        | Black   | 23                | 486194          | Screw                        | 41                | 8281163         | Screw (Stainless)                        |
| 4                 | W10138054       | Assembly, Roller                                  | 24                | 2005008         | Ring, Bushing Retaining      | 42                | 1118894         | Switch, Rocker Arm                       |
| 5                 |                 | Support, Leveler Assembly                         | 25                | W10129069       | Clip, Wire                   |                   | 1115373         | Switch, Rocker Arm Combination (Freezer) |
|                   | W10138423       | Right Hand  | 26                | W10482554       | Cover, Bottom Gap            | 43                | 2215938         | Cover, Switch                            |
|                   | W10279275       | Left Hand   | 27                |                 | Hinge (Bottom)               | 44                | 487415          | Screw                                    |
| 6                 |                 | Cap, Water Filter                                 |                   | 2006780         | Right Hand                   | 45                |                 | Bracket, Switch                          |
|                   | 2260518B        | Black   | 28                | 2302876         | Bushing, Adjustable          |                   | 2221097         | Right Hand                               |
| 7                 | 2307640         | Bracket, Grill Mounting                           | 29                | 8533913         | Screw                        |                   | 2221096         | Left Hand                                |
| 8                 | 2307584         | Grommet, Crossover Tube                           | 30                |                 | Skirt, Grille Bottom         | 46                | 2215612         | Cover, Air Duct                          |
| 9                 | 2320509         | Stop, Door  |                   | 2209026B        | Black                        | 47                | 2005032         | Leveler, Adjustable                      |
| 10                | W10121140       | Housing, Water Filter                             | 31                |                 | Extension Arm, Door Closer   | 48                | 2006841         | Ring, Retainer                           |
| 11                | 2318189         | Tray, Filter Drip                                 |                   | 2266882         | Right Hand                   | 49                |                 | Cam Assembly                             |
| 12                | 3400525         | Screw   |                   | 2266881         | Left Hand                    |                   | 2307857         | Right Hand                               |
| 13                | W10121146       | Filter, Water                                     | 32                |                 | Grille Bottom, Front         | 50                | W10167456       | Assembly, Light Switch Wire              |
|                   |                 |   |                   | 2325186B        | Black                        | 51                | 2314064         | Tube, Drain                              |
|                   |                 |   | 33                | W10485630       | Screw                        |                   |                 |  |



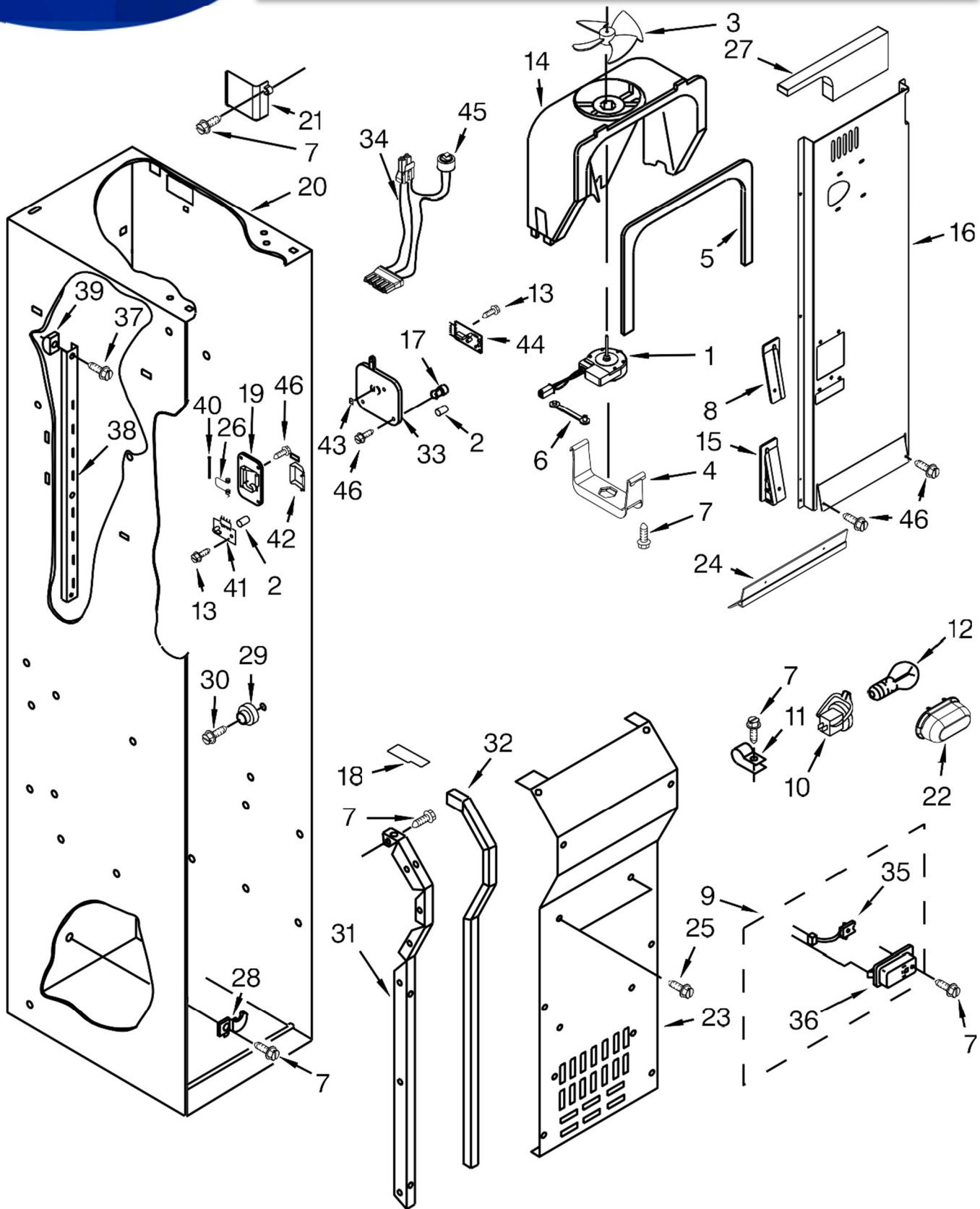
| <u>Illus. No.</u> | <u>Part No.</u> | <u>Description</u>         |
|-------------------|-----------------|----------------------------|
| 1                 |                 | Trim, Cabinet Side (Right) |
|                   | W10132472       | Aluminum                   |
| 2                 | 486194          | Screw                      |
| 3                 |                 | Trim, Bottom Cabinet       |
|                   | 2316688         | Aluminum                   |

| <u>Illus. No.</u> | <u>Part No.</u> | <u>Description</u>        |
|-------------------|-----------------|---------------------------|
| 4                 | W10001250       | Screw                     |
| 5                 |                 | Trim, Top Cabinet         |
|                   | 2314018         | Aluminum                  |
| 6                 |                 | Trim, Cabinet Side (Left) |
|                   | W10132541       | Aluminum                  |

| <u>Illus. No.</u> | <u>Part No.</u> | <u>Description</u>     |
|-------------------|-----------------|------------------------|
| 7                 | W10121451       | Insert, Blind Threaded |
| 8                 | 2005925         | Seal, Side Trim        |

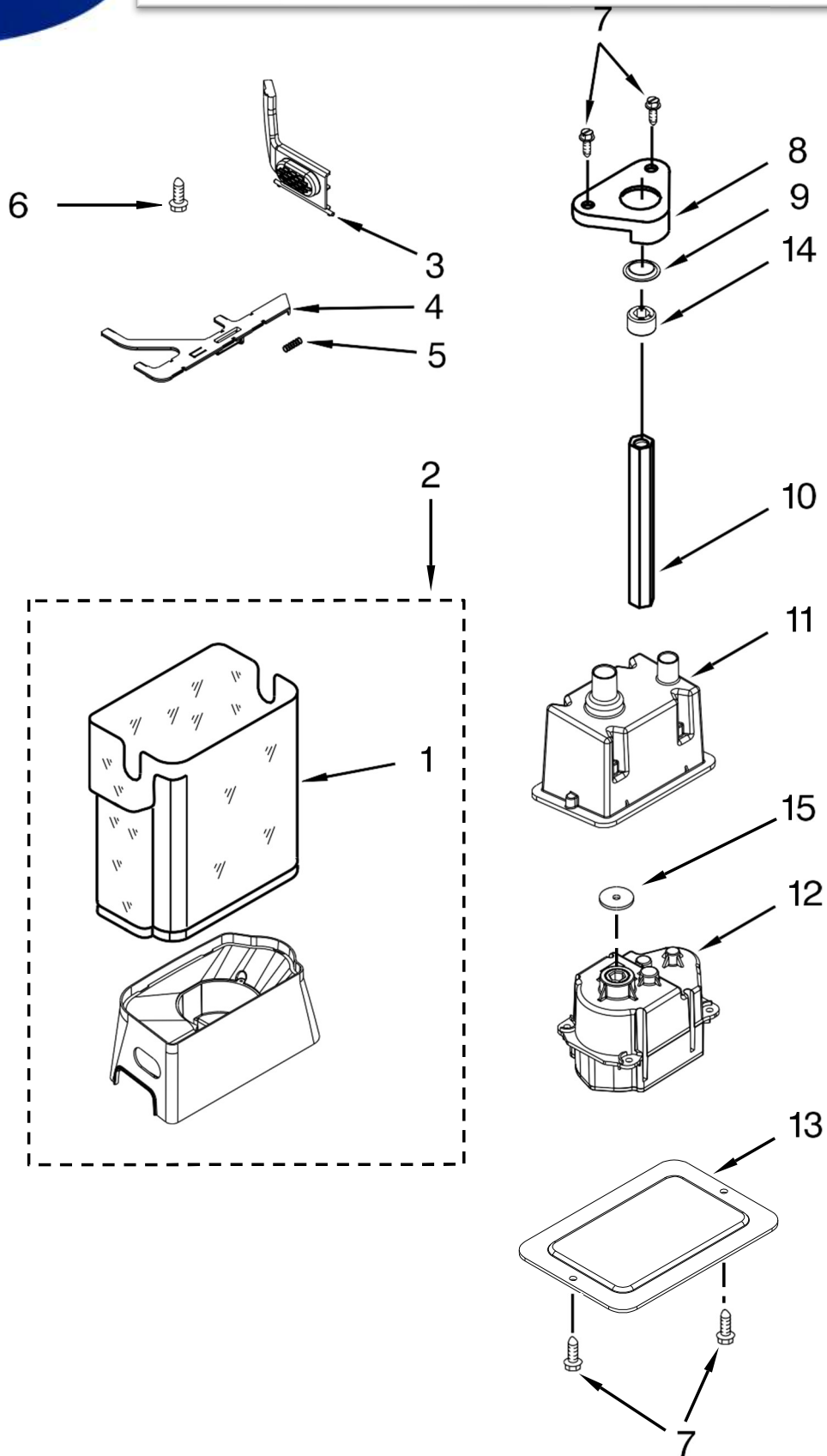


| <u>Illus.</u><br><u>No.</u> | <u>Part No.</u> | <u>Description</u>             | <u>Illus.</u><br><u>No.</u> | <u>Part No.</u> | <u>Description</u>      | <u>Illus.</u><br><u>No.</u> | <u>Part No.</u> | <u>Description</u>      |
|-----------------------------|-----------------|--------------------------------|-----------------------------|-----------------|-------------------------|-----------------------------|-----------------|-------------------------|
| 1                           |                 | Liner (Not A Serviceable Part) | 11                          | 2317844         | Assembly, Thermistor    | 20                          | 2188820         | Thermistor              |
| 2                           | 2306010         | Thermistor                     | 12                          | 2310205         | Assembly, Meat Pan Wire | 21                          | W10475010       | Assembly, Spacer        |
| 3                           | 2208970         | Duct, Air                      | 13                          | 8533929         | Screw (Stainless)       | 22                          | 2309087         | Cover, Air Diffuser     |
| 4                           | 2259077         | Ladder, Shelf                  | 14                          | 486194          | Screw                   | 23                          | W10159488       | Diverter, Crisper Cover |
| 5                           | 520965          | Support, Ladder                | 15                          | 2221296         | Assembly, Air Baffle    | 24                          | 2259398         | Seal, Air Duct          |
| 6                           | 2006475         | Screw (White)                  | 16                          | W10645131       | Reservoir, Water        | 25                          | 2003577         | Guard, Air Return       |
| 7                           | 487539          | Screw (Stainless)              | 17                          | W10141518       | Screw                   |                             |                 |                         |
| 8                           | 2302937         | Thermistor                     | 18                          | 2309222         | Assembly, Air Diffuser  |                             |                 |                         |
| 9                           | 2302986         | Lid, Baffle                    | 19                          | 2317105         | Cover, Thermistor       |                             |                 |                         |
| 10                          | W10604726       | Assembly, Control Baffle       |                             |                 |                         |                             |                 |                         |





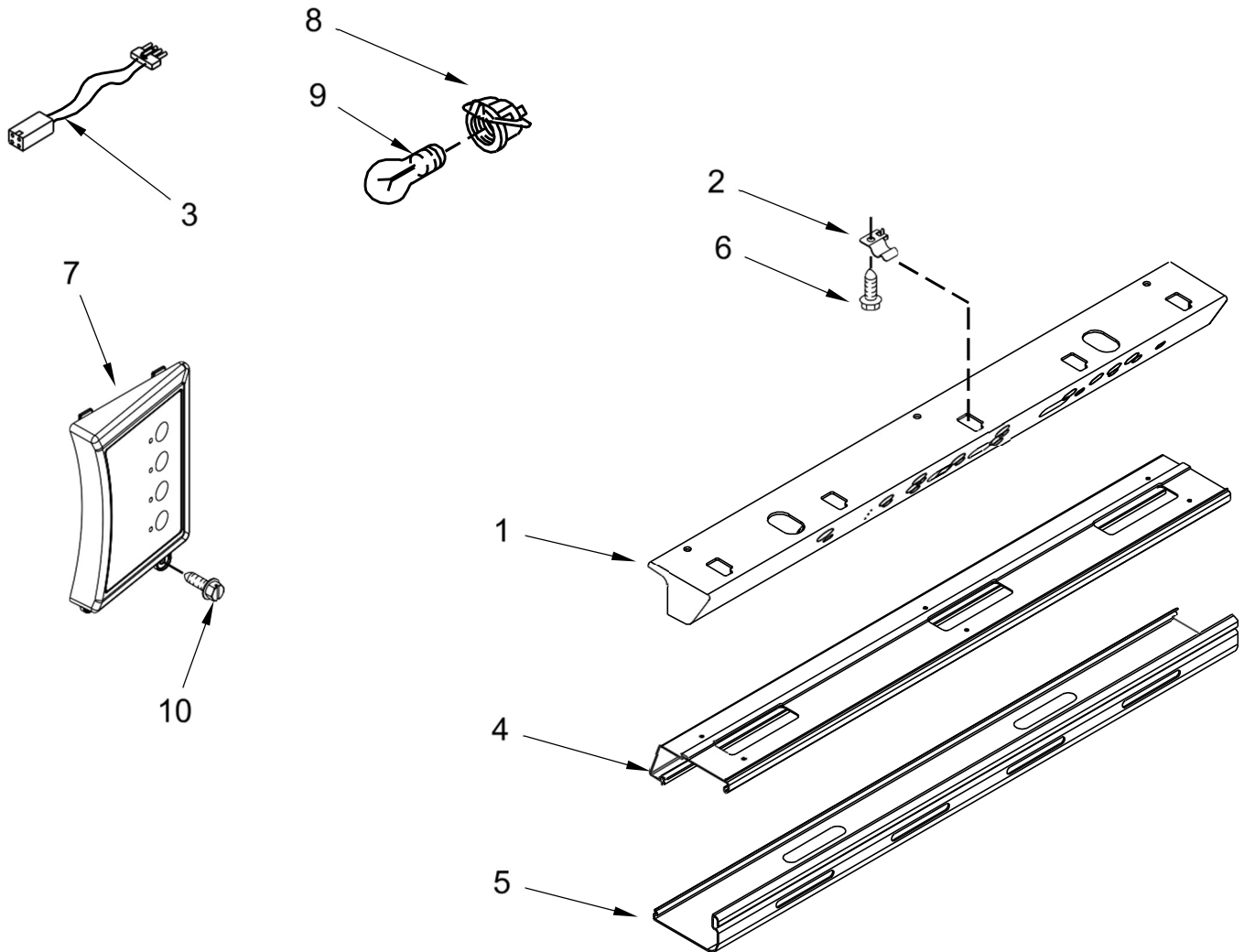
| <u>Illus. No.</u> | <u>Part No.</u> | <u>Description</u>      | <u>Illus. No.</u> | <u>Part No.</u> | <u>Description</u>             | <u>Illus. No.</u> | <u>Part No.</u> | <u>Description</u>       |
|-------------------|-----------------|-------------------------|-------------------|-----------------|--------------------------------|-------------------|-----------------|--------------------------|
| 1                 | W10436861       | Motor, Fan              | 19                | 2215650         | Cover, Emitter                 | 36                | 2317105         | Cover, Thermistor        |
| 2                 | 2198665         | Tube, Circuit Board     | 20                |                 | Liner (Not A Serviceable Part) | 37                | 2006475         | Screw (White)            |
| 3                 | 2169142         | Blade, Fan              | 21                | 2259025         | Cover, Air Outlet              | 38                | 2259032         | Ladder, Shelf            |
| 4                 | W10260421       | Retainer, Fan Motor     | 22                | 2307751         | Shield, Light                  | 39                | 2259445         | Support, Ladder          |
| 5                 | 2302817         | Gasket, Scroll Assembly | 23                | W10428001       | Cover, Evaporator              | 40                | 2198634         | Pin, Door                |
| 6                 | W10321090       | Grommet, Motor          | 24                | 2302851         | Support, Air Duct              | 41                | W10193840       | Board, Emitter Circuit   |
| 7                 | 486194          | Screw                   | 25                | 487539          | Screw (Stainless)              | 42                | 2198633         | Flipper, Shut Off        |
| 8                 | 2259464         | Wedge, Right Air Duct   | 26                | 2198635         | Spring, Door                   | 43                | 2255563         | Slide, Icemaker Shut Off |
| 9                 | 2317844         | Assembly, Thermistor    | 27                | 2309284         | Deflector, Air Duct            | 44                | W10290817       | Receiver, Circuit Board  |
| 10                | W10191429       | Socket, Light           | 28                | 1112260         | Support, Evaporator            | 45                | W10160570       | Bi-Metal, Defrost        |
| 11                | 2221070         | Clamp, Tube             | 29                | 2196205         | Stud, Shelf                    | 46                | W10142283       | Screw (White)            |
| 12                | 2326255         | Bulb, Light             | 30                | W10191952       | Screw                          |                   |                 |                          |
| 13                | 489214          | Screw                   | 31                |                 | Evaporator, Cover Rail         |                   |                 |                          |
| 14                | 2182120         | Scroll, Fan             |                   | 2221107         | Left Hand                      |                   |                 |                          |
| 15                | 2259465         | Wedge, Left Air Duct    |                   | 2259355         | Right Hand                     |                   |                 |                          |
| 16                | 2307775         | Duct, Air               | 32                | 2220904         | Gasket, Evaporator Cover       |                   |                 |                          |
| 17                | 2198643         | Lens, Receiver          | 33                | 2259493         | Cover, Receiver                |                   |                 |                          |
| 18                |                 | Block, Fan Scroll       | 34                | W10482187       | Harness, Bi-Metal Wire         |                   |                 |                          |
|                   | 2209482         | Right Hand              | 35                | 2306010         | Thermistor                     |                   |                 |                          |
|                   | 2209066         | Left Hand               |                   |                 |                                |                   |                 |                          |



| <u>Illus.</u><br><u>No.</u> | <u>Part No.</u> | <u>Description</u>     |
|-----------------------------|-----------------|------------------------|
| 1                           | 2222970         | Bin, Ice               |
| 2                           | W10395656       | Ice Container Assembly |
| 3                           | 2252265         | Button, Bin            |
| 4                           | W10134785       | Latch, Bin             |
| 5                           | 2198608         | Spring, Latch          |

| <u>Illus.</u><br><u>No.</u> | <u>Part No.</u> | <u>Description</u> |
|-----------------------------|-----------------|--------------------|
| 6                           | 2198671         | Screw (Stainless)  |
| 7                           | 8281163         | Screw (Stainless)  |
| 8                           | 2188919         | Clip, Shaft        |
| 9                           | 2198628         | Seal               |
| 10                          | 2318082         | Shaft, Drive       |

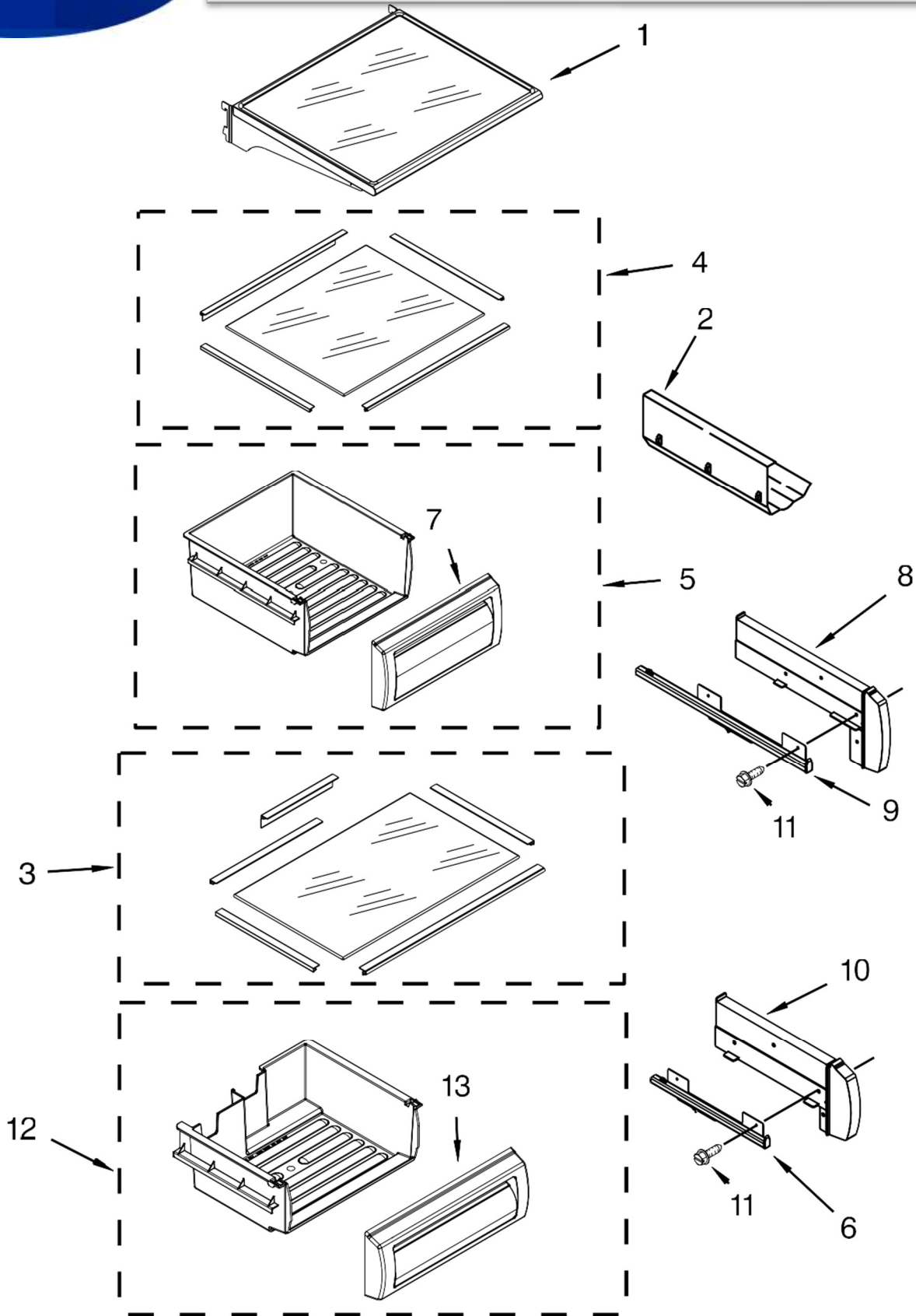
| <u>Illus.</u><br><u>No.</u> | <u>Part No.</u> | <u>Description</u> |
|-----------------------------|-----------------|--------------------|
| 11                          | 2318011         | Enclosure, Motor   |
| 12                          | 2315547         | Motor, Dispenser   |
| 13                          | 2318028         | Cover              |
| 14                          | 2315559         | Sleeve, Bearing    |
| 15                          | W10254073       | Washer             |



| <u>Illus.</u><br><u>No.</u> | <u>Part No.</u> | <u>Description</u>   |
|-----------------------------|-----------------|----------------------|
| 1                           | W10691184       | Control Box          |
| 2                           | 2317000         | Clip, Control Box    |
| 3                           | 2310390         | Wire, Jumper         |
| 4                           | 2324973         | Bracket, Control Box |

| <u>Illus.</u><br><u>No.</u> | <u>Part No.</u> | <u>Description</u>          |
|-----------------------------|-----------------|-----------------------------|
| 5                           | 2307596         | Shield, Control Box         |
| 6                           | 487539          | Screw (Stainless)           |
| 7                           | W10604724       | Assembly, User<br>Interface |

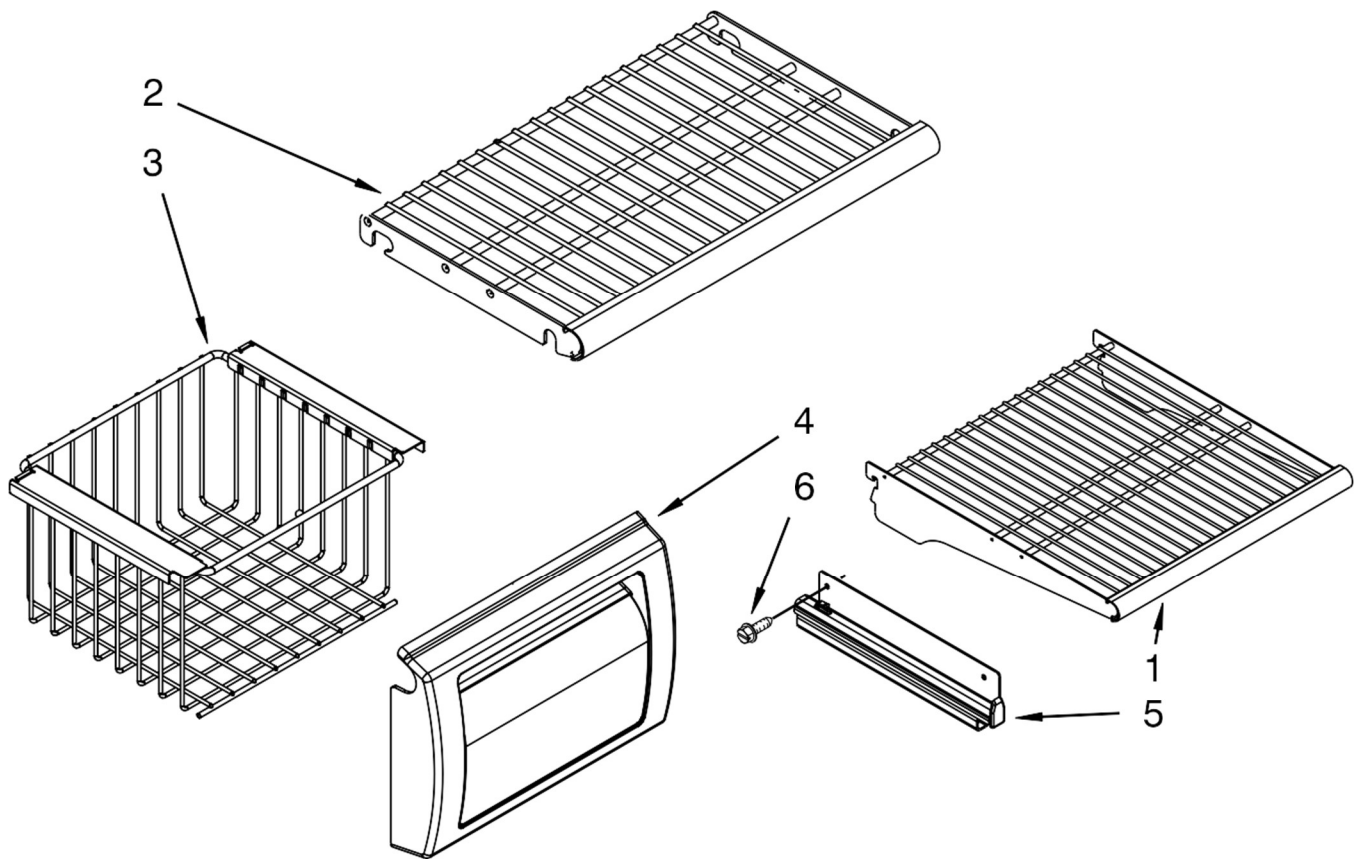
| <u>Illus.</u><br><u>No.</u> | <u>Part No.</u> | <u>Description</u> |
|-----------------------------|-----------------|--------------------|
| 8                           | W10191429       | Socket, Light      |
| 9                           | 2326255         | Bulb, Light        |
| 10                          | W10142283       | Screw (White)      |



| <u>Illus.</u><br><u>No.</u> | <u>Part No.</u> | <u>Description</u>          |
|-----------------------------|-----------------|-----------------------------|
| 1                           | 2222593         | Shelf Assembly, Fixed       |
| 2                           | 2179404         | Rack, Wine                  |
| 3                           | 2302843         | Assembly, Meat Pan<br>Cover |
| 4                           | 2302836         | Assembly, Crisper<br>Cover  |
| 5                           | W10407625       | Pan, Crisper                |
| 6                           |                 | Slide, Meat Pan             |
|                             | 2302954         | Left Hand                   |
|                             | W10714541       | Right Hand                  |
| 7                           | 2256249         | Front, Crisper Pan          |

| <u>Illus.</u><br><u>No.</u> | <u>Part No.</u> | <u>Description</u> |
|-----------------------------|-----------------|--------------------|
| 8                           |                 | Spacer, Crisper    |
|                             | 2256222         | Right Hand         |
|                             | 2256223         | Left Hand          |
| 9                           |                 | Slide, Crisper     |
|                             | W10714543       | Left Hand          |
|                             | 2302957         | Right Hand         |
| 10                          |                 | Spacer, Meat Pan   |
|                             | 2256243         | Left Hand          |
|                             | 2256244         | Right Hand         |

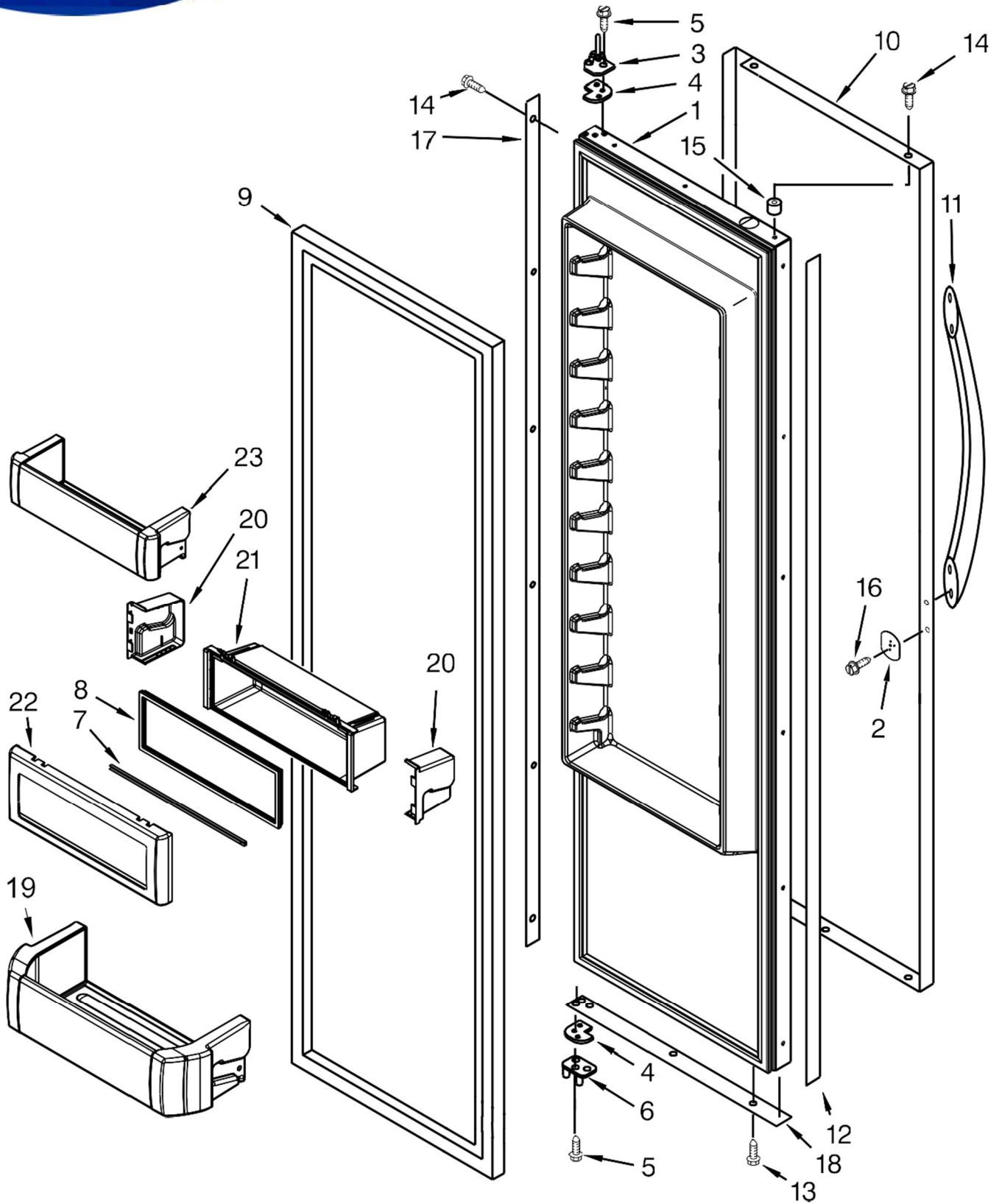
| <u>Illus.</u><br><u>No.</u> | <u>Part No.</u> | <u>Description</u>          |
|-----------------------------|-----------------|-----------------------------|
| 11                          | 8533929         | Screw (Stainless)           |
|                             |                 | Right Hand                  |
|                             | 8533928         | Screw (Stainless)           |
|                             |                 | (Left Hand)                 |
| 12                          | W10407628       | Assembly, Meat Pan          |
| 13                          | 2256367         | Assembly, Meat Pan<br>Front |



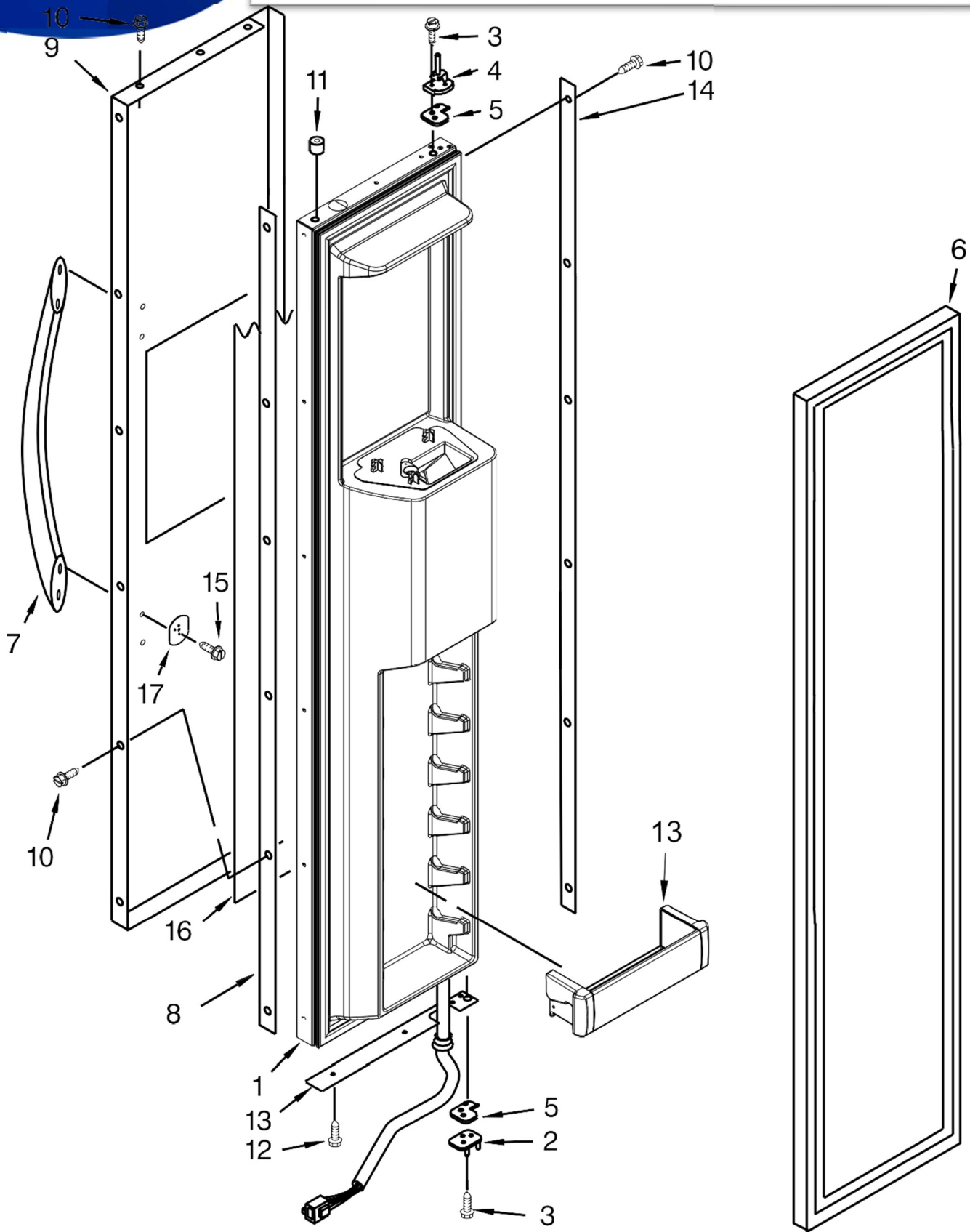


| <u>Illus.</u><br><u>No.</u> | <u>Part No.</u> | <u>Description</u>     |
|-----------------------------|-----------------|------------------------|
| 1                           | W10175906       | Shelf, Wire            |
| 2                           | 2302884         | Shelf, Fixed           |
| 3                           | 2259083         | Basket, Freezer        |
| 4                           | 2256271         | Assembly, Basket Front |

| <u>Illus.</u><br><u>No.</u> | <u>Part No.</u> | <u>Description</u> |
|-----------------------------|-----------------|--------------------|
| 5                           |                 | Slide, Basket      |
|                             | 2259317         | Right Hand         |
|                             | 2259318         | Left Hand          |
| 6                           | 8533928         | Screw (Stainless)  |



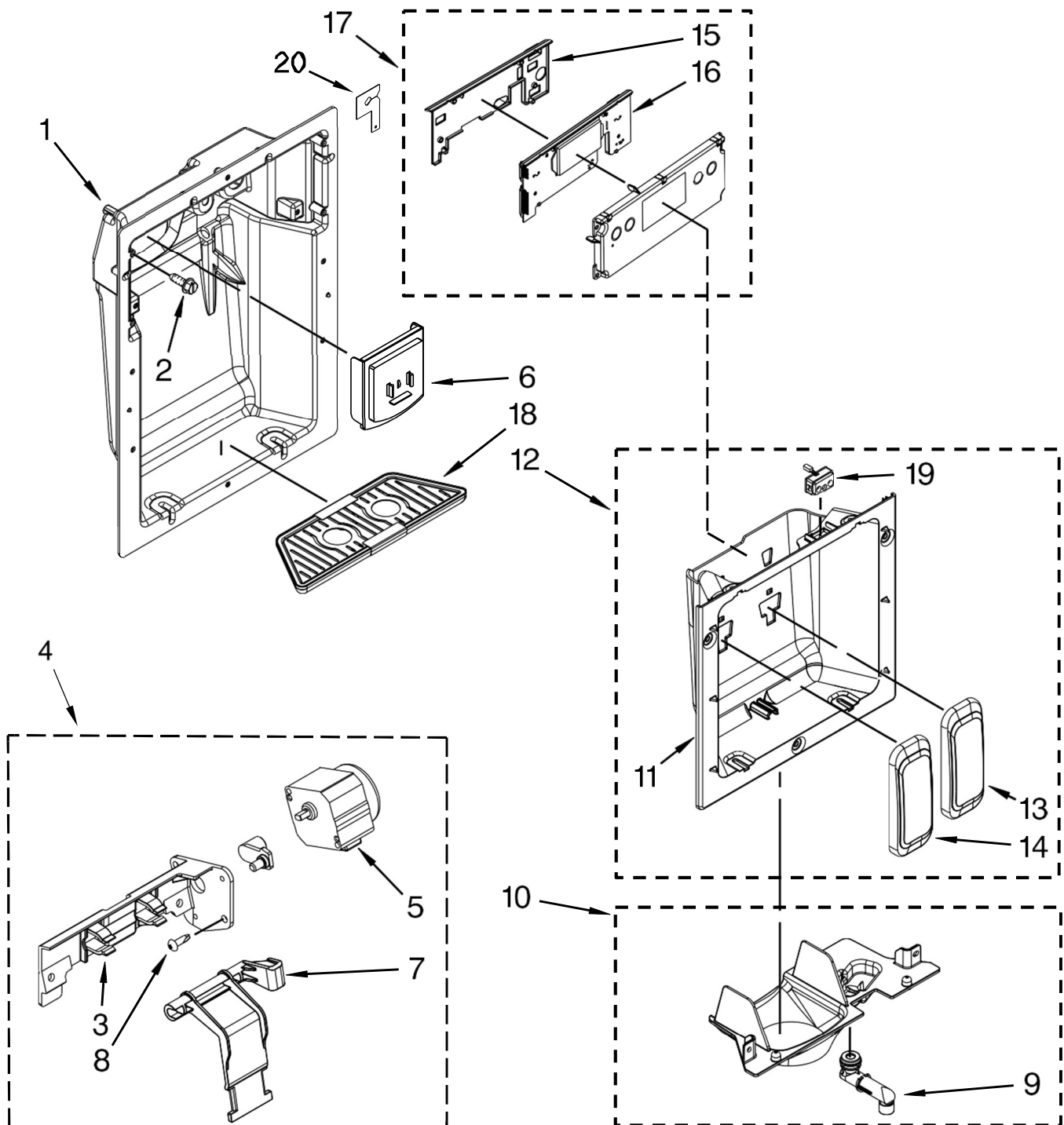
| <u>Illus. No.</u> | <u>Part No.</u> | <u>Description</u>          | <u>Illus. No.</u> | <u>Part No.</u> | <u>Description</u>       | <u>Illus. No.</u> | <u>Part No.</u> | <u>Description</u>       |
|-------------------|-----------------|-----------------------------|-------------------|-----------------|--------------------------|-------------------|-----------------|--------------------------|
| 1                 | W10193491       | Assembly, Refrigerator Door | 10                |                 | Skin, Door               | 18                | 2257386         | Spacer, Door Skin Bottom |
| 2                 | W10127710       | Plate, Handle Door          | 11                | W10523740       | Stainless Door, Handle   | 19                | W10323748       | Bin, Gallon Door         |
| 3                 | W10485980       | Assembly, Top Hinge         |                   | 2316868         | Stainless                | 20                |                 | End Cap                  |
| 4                 | 2316804         | Spacer, Door Hinge Bottom   | 12                | 2309060         | Spacer, Handle Side Door |                   | W10323172       | Right Hand               |
| 5                 | W10162602       | Screw                       | 13                | 488568          | Screw (Stainless)        |                   | W10323173       | Left Hand                |
| 6                 | 2302878         | Assembly, Bottom Hinge      | 14                | 8281250         | Screw (Stainless)        | 21                | W10323037       | Bin, Utility Center      |
| 7                 | 2222797         | Rail, Lid                   | 15                | 2005433         | Spacer, Door Skin Top    | 22                | 2257617         | Door, Utility Bin        |
| 8                 | 2222983         | Gasket, Utility Bin         | 16                | 308544          | Screw                    | 23                | W10323600       | Bin, Shallow Door        |
| 9                 | W10694212       | Gasket, Door                | 17                | W10142296       | Spacer, Hinge Side Door  |                   |                 |                          |



| <u>Illus.</u><br><u>No.</u> | <u>Part No.</u> | <u>Description</u>           |
|-----------------------------|-----------------|------------------------------|
| 1                           | W10292433       | Assembly, Freezer Door       |
| 2                           | 2302879         | Assembly, Bottom Hinge       |
| 3                           | W10162602       | Screw                        |
| 4                           | W10485980       | Assembly, Top Hinge          |
| 5                           | 2316804         | Spacer, Door Hinge<br>Bottom |
| 6                           | 2222810         | Gasket, Door                 |
| 7                           | 2316868         | Door, Handle<br>Stainless    |

| <u>Illus.</u><br><u>No.</u> | <u>Part No.</u> | <u>Description</u>          |
|-----------------------------|-----------------|-----------------------------|
| 8                           | 2309060         | Spacer, Handle Side<br>Door |
| 9                           | W10523761       | Skin, Door                  |
| 10                          | 8281250         | Screw (Stainless)           |
| 11                          | 2005433         | Spacer, Door Skin Top       |
| 12                          | 488568          | Screw (Stainless)           |
| 13                          | W10323603       | Bin, Shallow                |
| 14                          | W10142296       | Spacer, Hinge Side<br>Door  |
| 15                          | 308544          | Screw                       |

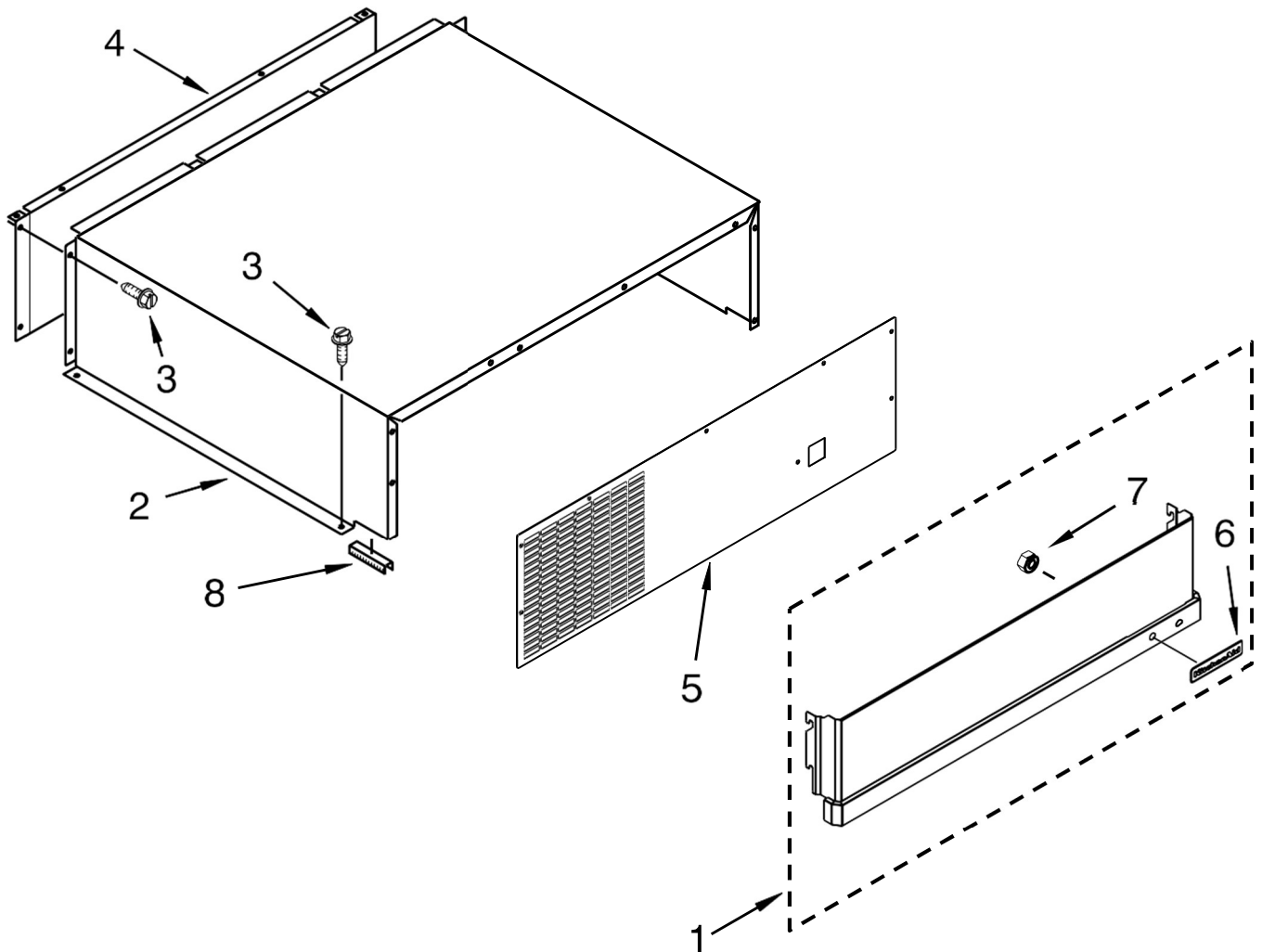
| <u>Illus.</u><br><u>No.</u> | <u>Part No.</u> | <u>Description</u>  |
|-----------------------------|-----------------|---------------------|
| 16                          | 2328903         | Filler, Door<br>Top |
|                             | 2328904         | Bottom              |
| 17                          | W10127710       | Plate, Handle Door  |



| <u>Illus. No.</u> | <u>Part No.</u> | <u>Description</u>                |
|-------------------|-----------------|-----------------------------------|
| 1                 |                 | Housing, Dispenser (Not Serviced) |
| 2                 | 486194          | Screw                             |
| 3                 | W10542660       | Bracket, Motor                    |
| 4                 | W10546285       | Assembly, Motor and Bracket       |
| 5                 | W10205979       | Motor, Ice Door                   |
| 6                 | W10504458       | Door, Ice                         |
| 7                 | W10542663       | Support, Ice Door                 |
| 8                 | 4449745         | Screw                             |
| 9                 | 2305235         | Assembly, Spigot                  |

| <u>Illus. No.</u> | <u>Part No.</u> | <u>Description</u>                            |
|-------------------|-----------------|---|
| 10                | 2318017         | Assembly, Separator                           |
| 11                |                 | Housing, Middle (Not Available Order Item 12) |
| 12                | W10260622       | Assembly, Housing                             |
| 13                |                 | Water, Paddle Assembly                        |
|                   | 2305307GN       | Universal Silver                              |
| 14                |                 | Ice, Paddle Assembly                          |
|                   | 2305306GN       | Universal Silver                              |
| 15                | 2305219         | Cover, Control                                |

| <u>Illus. No.</u> | <u>Part No.</u> | <u>Description</u>                     |
|-------------------|-----------------|--|
| 16                | 2321746         | Assembly, User Interface Control Cover |
| 17                | W10151236       | Assembly, User Interface               |
| 18                |                 | Tray, Housing                          |
|                   | 2318062US       | Universal Silver                       |
| 19                | 2305342         | Assembly, LED                          |
| 20                | 2305447         | Clip, Wiring                           |

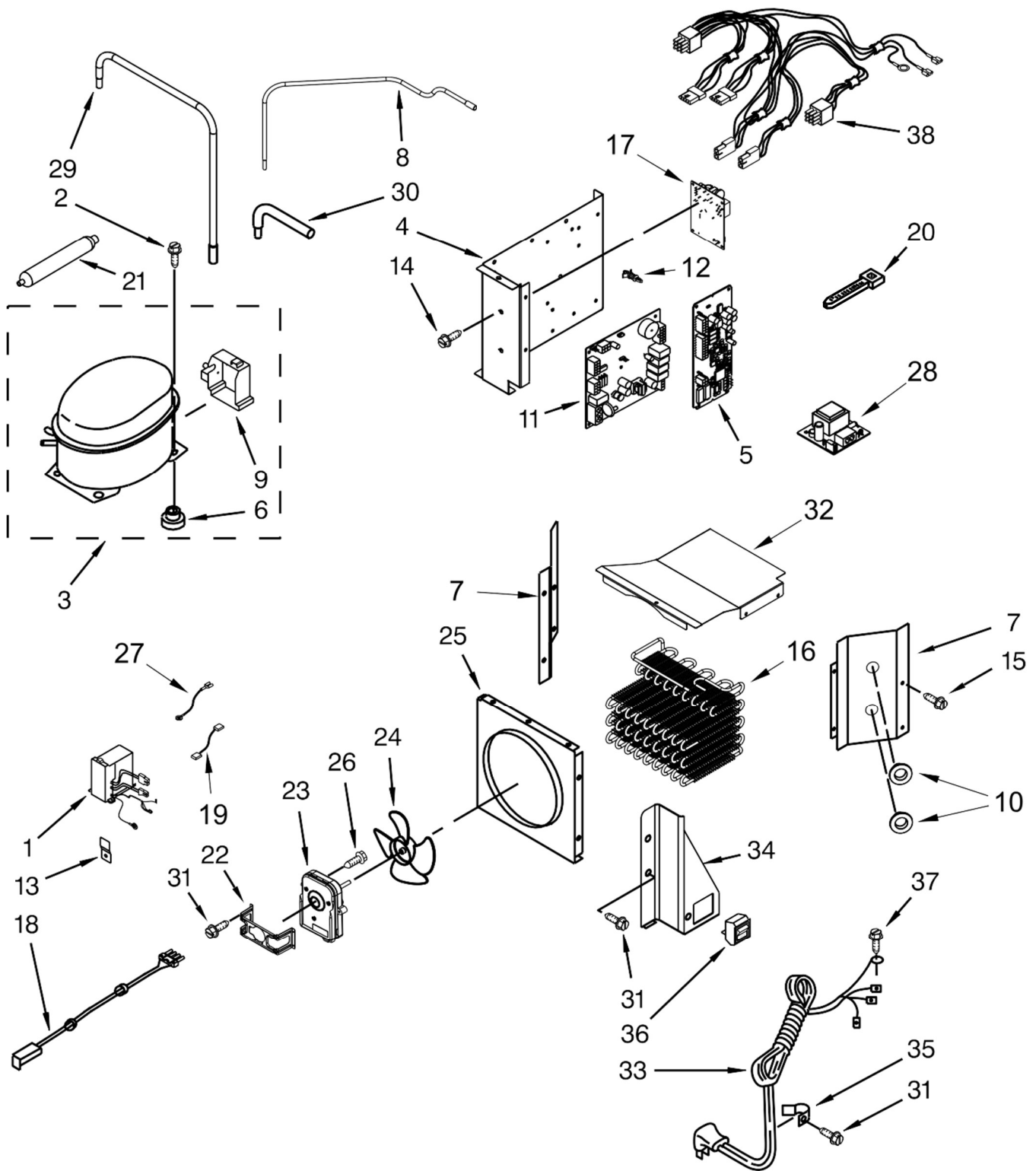




| <u>Illus.</u><br><u>No.</u> | <u>Part No.</u> | <u>Description</u>  |
|-----------------------------|-----------------|---------------------|
| 1                           | W10321107       | Top Grille Assembly |
| 2                           | W10545068       | Cover, Unit         |
| 3                           | 486194          | Screw               |
| 4                           | 2256466         | Panel, Unit Back    |

| <u>Illus.</u><br><u>No.</u> | <u>Part No.</u> | <u>Description</u> |
|-----------------------------|-----------------|--------------------|
| 5                           | W10694109       | Cover, Unit Front  |
| 6                           |                 | Nameplate          |
|                             | 2317923S        | Stainless          |

| <u>Illus.</u><br><u>No.</u> | <u>Part No.</u> | <u>Description</u> |
|-----------------------------|-----------------|--------------------|
| 7                           | 2004333         | Nut                |
| 8                           | 2215910         | Grommet, Flexible  |



| <u>Illus. No.</u> | <u>Part No.</u> | <u>Description</u>         |
|-------------------|-----------------|----------------------------|
| 1                 | W10645666       | Assembly, Inverter Box     |
| 2                 | 489473          | Screw                      |
| 3                 | W10653005       | Compressor                 |
| 4                 | W10321056       | Housing, Control Board     |
| 5                 | 2318054         | Control, Electronic        |
| 6                 | 1100826         | Grommet                    |
| 7                 |                 | Support, Condenser         |
|                   | W10525179       | Right Hand                 |
|                   | W10525177       | Left Hand                  |
| 8                 | W10648264       | Tube, Heat Loop Transition |
| 9                 | 2215676         | Cover, Terminal            |
| 10                | W10587113       | Grommet                    |
| 11                | W10427079       | Board, Control             |
| 12                | 2203075         | Spacer                     |
| 13                | 2256328         | Bracket, Inverter Mounting |
| 14                | 487539          | Screw (Stainless)          |
| 15                | 1157158         | Screw                      |

| <u>Illus. No.</u> | <u>Part No.</u> | <u>Description</u>           |
|-------------------|-----------------|------------------------------|
| 16                | W10591457       | Condenser                    |
| 17                | W10356040       | Control, Electronic          |
| 18                | 2310207         | Assembly, Condenser Fan Wire |
| 19                | W10483905       | Jumper, Inverter             |
| 20                | 2155774         | Tie, Wire                    |
| 21                | W10175593       | Drier                        |
| 22                | W10414681       | Bracket, Fan Motor           |
| 23                | 2188875         | Motor, Condenser             |
| 24                | W10139483       | Blade, Fan                   |
| 25                | W10415670       | Orifice, Fan                 |
| 26                | 8533993         | Screw                        |
| 27                | W10495645       | Ground, Inverter             |
| 28                | 2259350         | Board, Power Supply          |
| 29                | W10624944       | Tube, Drier Transition       |
| 30                | W10528578       | Tube, Process                |
| 31                | 486194          | Screw                        |
| 32                | W10525175       | Top Cover, Condenser         |
| 33                | 2310251         | Cord, Power                  |

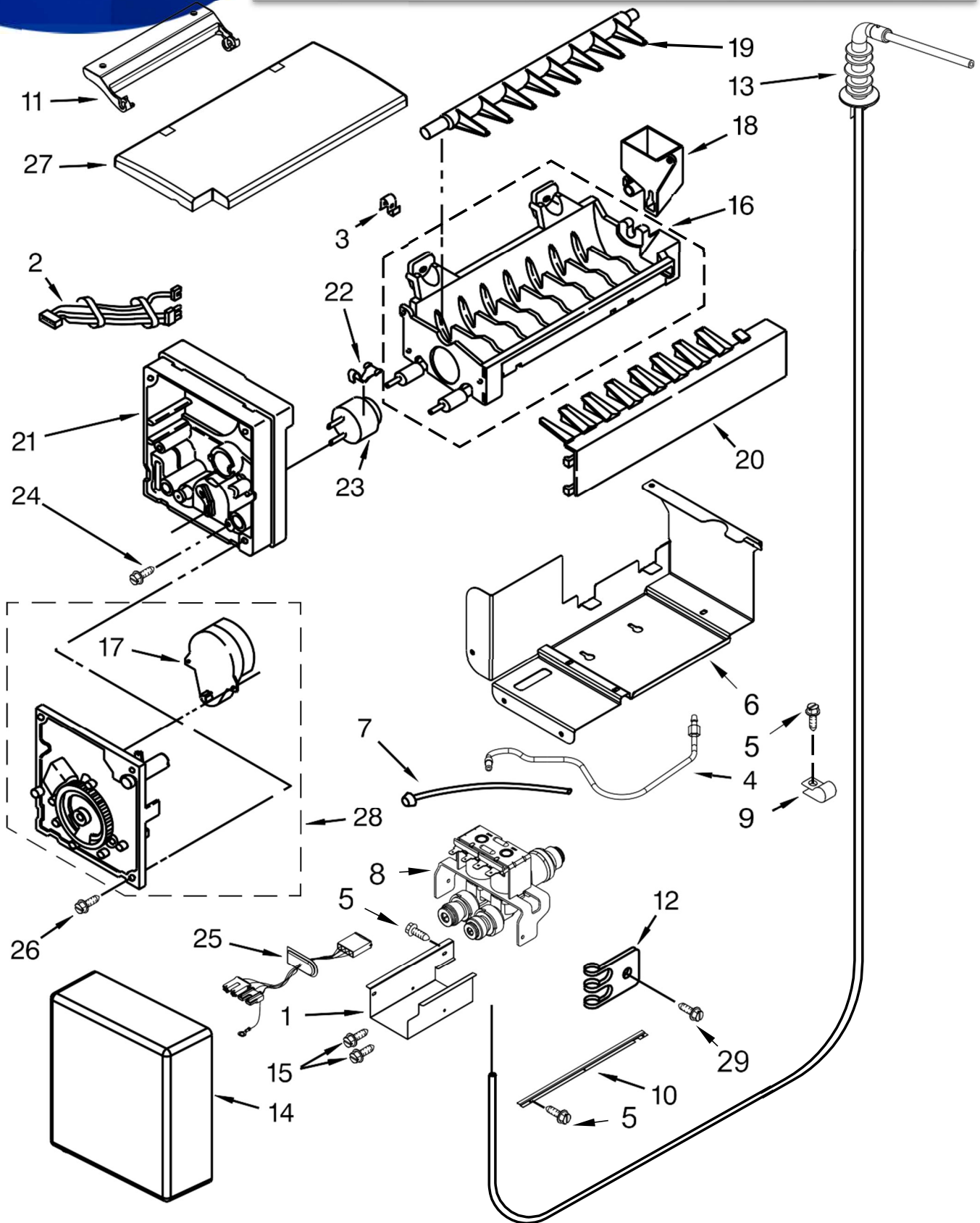
| <u>Illus. No.</u> | <u>Part No.</u> | <u>Description</u>              |
|-------------------|-----------------|---------------------------------|
| 34                | W10321055       | Bracket, Control Assembly       |
| 35                | 549193          | Clamp, Power Cord               |
| 36                | 2266802         | Switch, Power Disconnect        |
| 37                | 487294          | Screw                           |
| 38                | W10427091       | Assembly, Unit Wire             |
|                   |                 | Following Parts Not Illustrated |
|                   | 978025          | Valve, Access                   |
|                   | 978026          | Valve, Access                   |
|                   | 978027          | Valve, Access                   |
|                   | 978028          | Valve, Access                   |
|                   | 978029          | Valve, Access                   |
|                   | 978030          | Valve, Access                   |
|                   | 876764          | Valve, Access                   |
|                   |                 | REFRIGERANT CHARGE              |
|                   |                 | 7.25 oz. (R-134A)               |



| <u>Illus.</u><br><u>No.</u> | <u>Part No.</u> | <u>Description</u>                     |
|-----------------------------|-----------------|--|
| 1                           | W10139908       | Cover, Evaporator Seal                 |
| 2                           | 486194          | Screw                                  |
| 3                           | W10157752       | Bracket, Heater                        |
| 4                           | W10648568       | Tube, Oil Trap Suction                 |
| 5                           | W10388653       | Tube, Transition<br>(Drier/Restrictor) |
| 6                           | W10281063       | Assembly, Drain Pan                    |
| 7                           | W10309012       | Cover, Wiring                          |

| <u>Illus.</u><br><u>No.</u> | <u>Part No.</u> | <u>Description</u>  |
|-----------------------------|-----------------|---------------------|
| 8                           | W10321048       | Cover, Wire Box     |
| 9                           | W10673675       | Tube, Discharge     |
| 10                          | 2188820         | Thermistor          |
| 11                          | W10427993       | Evaporator          |
| 12                          | W10140162       | Heater, Defrost     |
| 13                          | 1113048         | Clamp, Heater       |
| 14                          | W10321050       | Shelf, Wiring Cover |
| 15                          | W10432308       | Gasket, Evaporator  |

| <u>Illus.</u><br><u>No.</u> | <u>Part No.</u> | <u>Description</u>              |
|-----------------------------|-----------------|---------------------------------|
| 16                          | 4389107         | Wire Tie                        |
| 17                          | W10169509       | Clip, Heat Exchanger            |
| 18                          | 2320554         | Support, Drain Pan              |
| 19                          | W10413009       | Grommet, Air Return             |
| 20                          | 2215648         | Dampener                        |
| 21                          | W10160981       | Assembly, Air Return<br>Bracket |



| <u>Illus. No.</u> | <u>Part No.</u> | <u>Description</u>         |
|-------------------|-----------------|----------------------------|
| 1                 | 2320601         | Shield, Water Valve        |
| 2                 | W10508659       | Assembly, Icemaker Wire    |
| 3                 | 628379          | Clip, Thermal Fuse         |
| 4                 | W10296807       | Tube, Filter Inlet         |
| 5                 | 486194          | Screw                      |
| 6                 | 2252228         | Bracket, Icemaker Mounting |
| 7                 | W10683737       | Tube, Filter Outlet        |
| 8                 | W10159842       | Valve, Inlet               |
| 9                 | 2221070         | Clamp, Tube                |
| 10                | 2320559         | Support, Valve             |
| 11                | 2198641         | Bracket, Icemaker Cover    |
| 12                | 2208136         | Clip, Water Tube           |
| 13                | W10357286       | Fitting, Water             |
| 14                | W10289690       | Cover, Icemaker            |

| <u>Illus. No.</u> | <u>Part No.</u> | <u>Description</u>                     |
|-------------------|-----------------|--|
| 15                | W10141604       | Screw                                  |
| 16                | W10122527       | Assembly, Mold and Heater              |
| 17                |                 | Motor, (Not Serviceable Order Item 28) |
| 18                | W10272168       | Cup, Water Fill                        |
| 19                | 627843          | Ejector                                |
| 20                | W10272161       | Stripper, Ice                          |
| 21                | 2194712         | Support, Housing                       |
| 22                | 2315522         | Retainer, Thermostat                   |
| 23                | W10290336       | Thermostat                             |
| 24                | W10001280       | Screw                                  |
| 25                | W10279391       | Assembly, Smart Valve Wire             |
| 26                | 489276          | Screw                                  |
| 27                | W10504754       | Cover, Icemaker                        |
| 28                | W10223929       | Assembly, Module and Motor             |
| 29                | W10001250       | Screw                                  |

| <u>Illus. No.</u> | <u>Part No.</u> | <u>Description</u>              |
|-------------------|-----------------|---------------------------------|
| 100               | W10277448       | Complete Icemaker Assembly      |
|                   |                 | Following Parts Not Illustrated |
|                   | W10355016       | SS Cleaner                      |
|                   | W10355010       | Kitchen and Appliance Cleaner   |
|                   | W10355049       | SS Cleaning Wipes               |
|                   | REFDEODOR       | Deodorizer Pack                 |