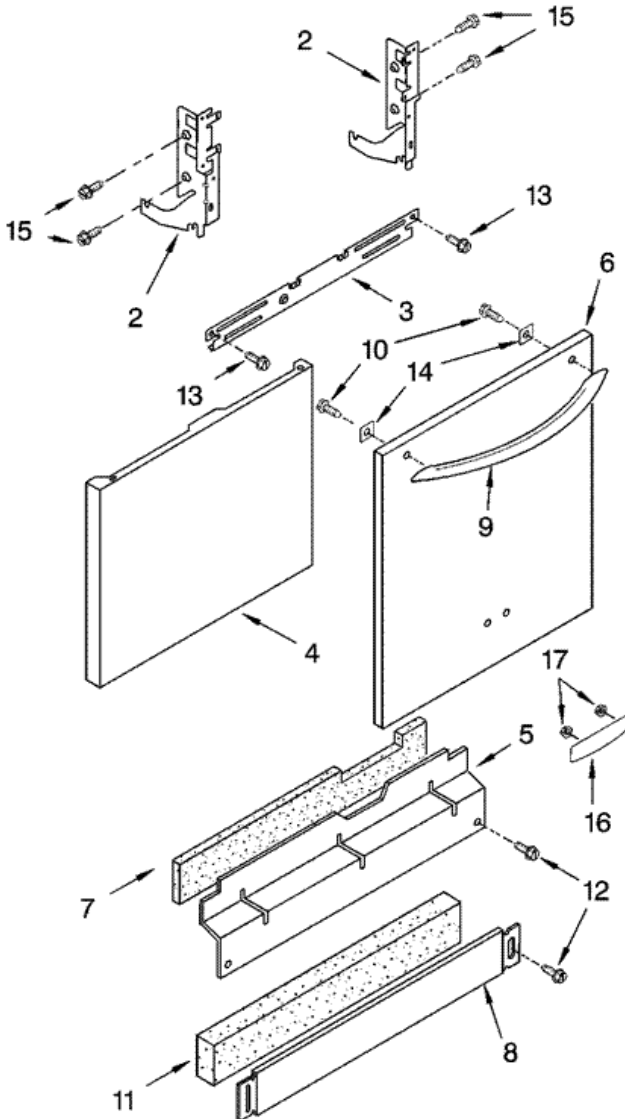


Distribuidor Autorizado

SurteRápido.com

Venta de Refacciones  
Electrodomesticas

## KUDS01FLSS6 DOOR AND PANEL

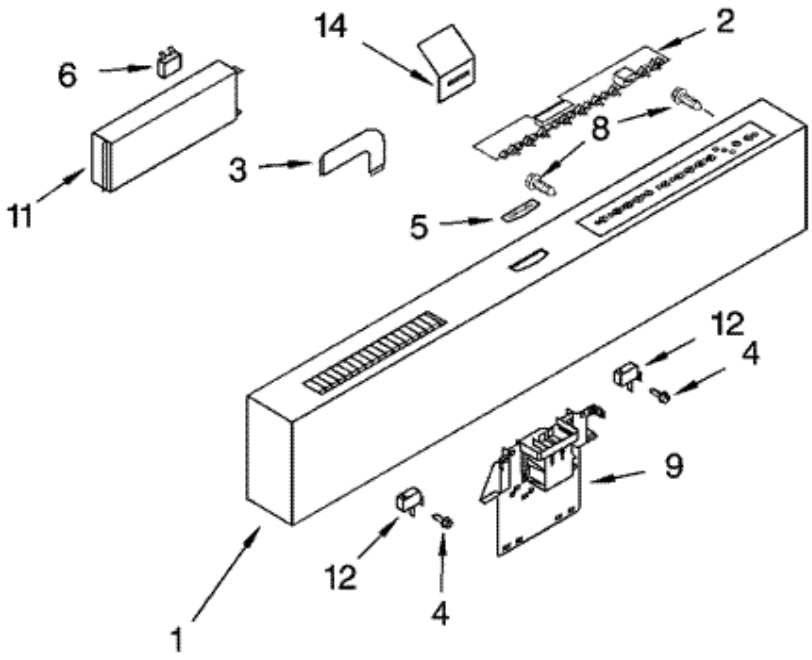




## KUDS01FLSS6 DOOR AND PANEL

2	8534853	ARM, HINGE (RIGHT) <b>(S/P)</b>
2	8534854	ARM, HINGE (LEFT) <b>(S/P)</b>
3	8268983	STIFFENER, DOOR <b>(S/P)</b>
4	8535133	PANEL FRONT <b>(S/P)</b>
5	W10195777	ACCESS PANEL (INCLUDES ITEM 7) (BLACK) <b>(S/P)</b>
5	W10195778	ACCESS PANEL (INCLUDES ITEM 7) (WHITE) <b>(S/P)</b>
5	W10195779	ACCESS PANEL (INCLUDES ITEM 7) (BISCUIT) <b>(S/P)</b>
6	8531938	PANEL, FULL FRONT (STAINLESS) <b>(S/P)</b>
6	8531939	PANEL, FULL FRONT (BLACK) <b>DESCONTINUADO</b>
6	8531940	PANEL, FULL FRONT (WHITE) <b>(S/P)</b>
6	8531941	PANEL, FULL FRONT (BISCUIT) <b>(S/P)</b>
7	W10073540	INSULATION, ACCESS PANEL <b>(S/P)</b>
8	8558252	TOE PANEL (INCLUDES ITEM 11) (BLACK) <b>(S/P)</b>
8	8558254	TOE PANEL (INCLUDES ITEM 11) (BISCUIT) <b>(S/P)</b>
8	8558253	TOE PANEL (INCLUDES ITEM 11) (WHITE) <b>(S/P)</b>
9	8212495	HANDLE (INCLUDES 10 & 14) (STAINLESS) <b>(S/P)</b>
9	8212496	HANDLE (INCLUDES 10 & 14) (BLACK) <b>(S/P)</b>
9	8212497	HANDLE (INCLUDES 10 & 14) (WHITE) <b>(S/P)</b>
9	8212498	HANDLE (INCLUDES ITEMS 10 & 14) (BISCUIT) <b>(S/P)</b>
10	3400067	SCREW <b>(S/P)</b>
11	8268581	INSULATION, TOE PANEL <b>DESCONTINUADO</b>
12	302868	SCREW <b>(S/P)</b>
13	304392	SCREW <b>(S/P)</b>
14	8531915	WASHER <b>(S/P)</b>
15	3400071	SCREW (2) <b>(S/P)</b>
16	2005292	NAMEPLATE (BLACK) <b>(S/P)</b>
16	2209118T	NAMEPLATE (BISCUIT) <b>(S/P)</b>
16	2209118W	NAMEPLATE (WHITE) <b>(S/P)</b>
17	2004333	NUT <b>(S/P)</b>

**KUDS01FLSS6 CONTROL PANEL**

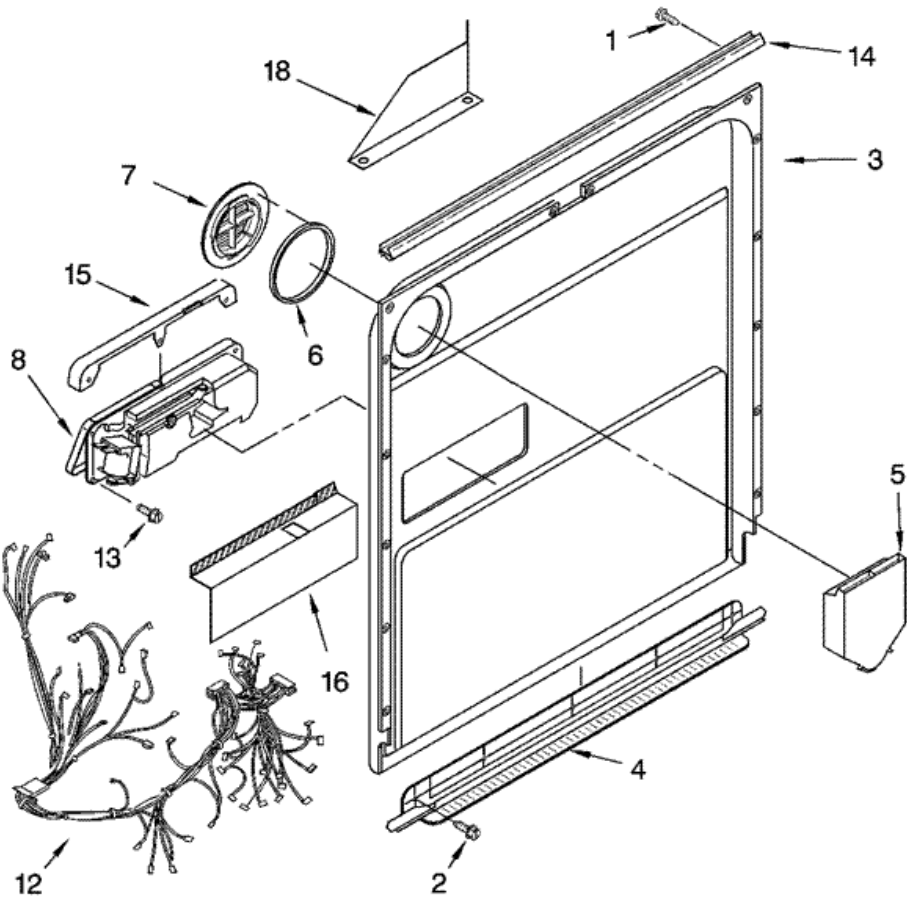




## KUDS01FLSS6 CONTROL PANEL

1	8531269	CONSOLE ASSEMBLY (S/P)
2	8270168	USER INTERFACE (S/P)
3	8524447	RIBBON, CABLE (S/P)
4	3400412	SCREW (S/P)
5	8524425	MEDALLION (S/P)
6	8193762	FUSE, THERMAL ELECTRONIC (S/P)
8	3369051	SCREW (6) (S/P)
9	8193830	LATCH ASSEMBLY (S/P)
11	8564542	CONTROL, ELECTRONIC
12	8269209	SWITCH, DOOR (S/P)
14	8524547	SHIELD (S/P)

**KUDS01FLSS6 DOOR AND LATCH**

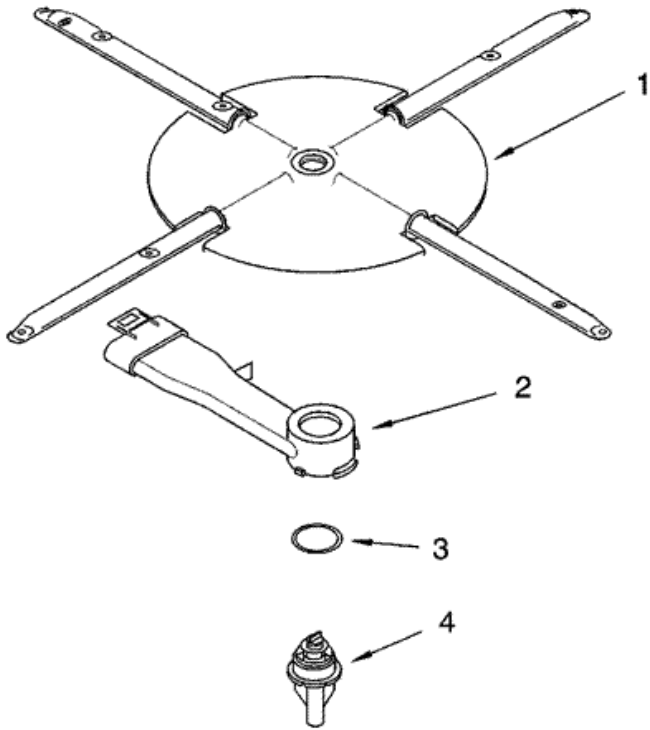




## KUDS01FLSS6 DOOR AND LATCH

1	3369051	SCREW, DOOR <b>(S/P)</b>
2	8281217	SCREW <b>(S/P)</b>
3	W10056249	INNER DOOR MASTIC ASSEMBLY <b>(S/P)</b>
4	8268937	INLET, AIR <b>(S/P)</b>
5	8531759	VENT ASSEMBLY (ALSO ORDER ITEM 6) <b>(S/P)</b>
6	8269259	GASKET, VENT
7	8545536	DEFLECTOR, VENT (ALSO ORDER ITEM 6) <b>(S/P)</b>
8	8558128	DISPENSER, ASSEMBLY <b>(S/P)</b>
12	8534931	WIRING HARNESS & PROTECTOR <b>(S/P)</b>
13	8281154	SCREW (6) <b>(S/P)</b>
14	8535660	SEAL, CONSOLE/DOOR <b>(S/P)</b>
15	8535637	BRACKET, DISPENSER <b>(S/P)</b>
16	8268541	SHIELD, DISPENSER <b>(S/P)</b>
18	8531799	SHIELD, SOLENOID <b>(S/P)</b>

**KUDS01FLSS6 LOWER WASHARM  
AND STRAINER**



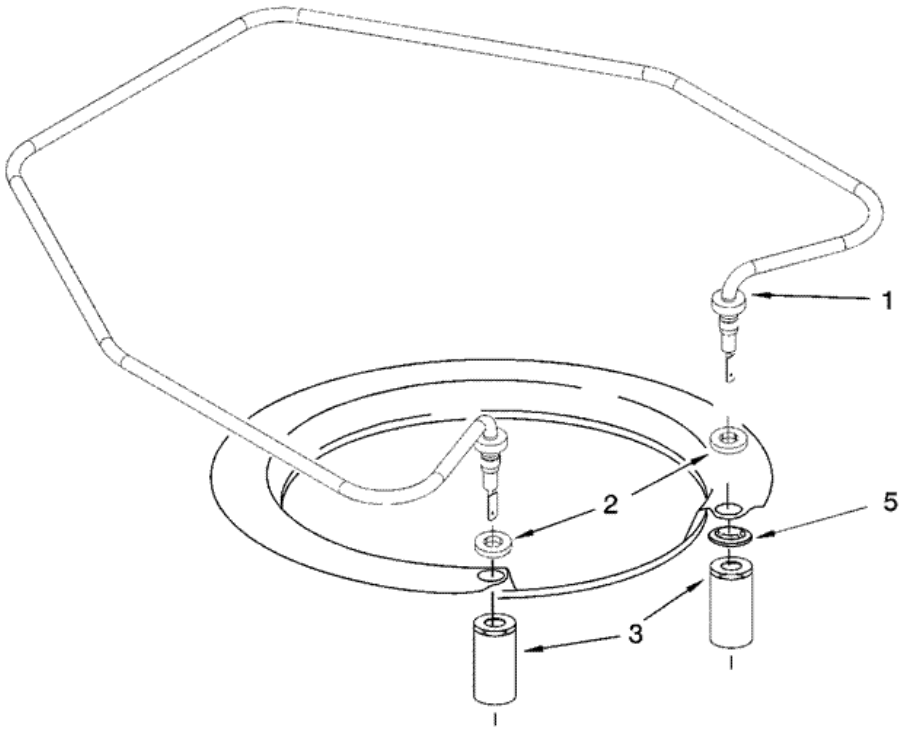


## KUDS01FLSS6 LOWER WASHARM AND STRAINER

1	8268300	WASH ARM ASSEMBLY <b>(S/P)</b>
2	8268343	CAP, INTERNAL REAR FEED (ORDER ITEM 3) <b>(S/P)</b>
3	8268340	SEAL, SPRAYARM <b>(S/P)</b>
4	8268342	HUB, LOWER SPRAYARM (ORDER ITEM 3) <b>(S/P)</b>



**KUDS01FLSS6 HEATER**

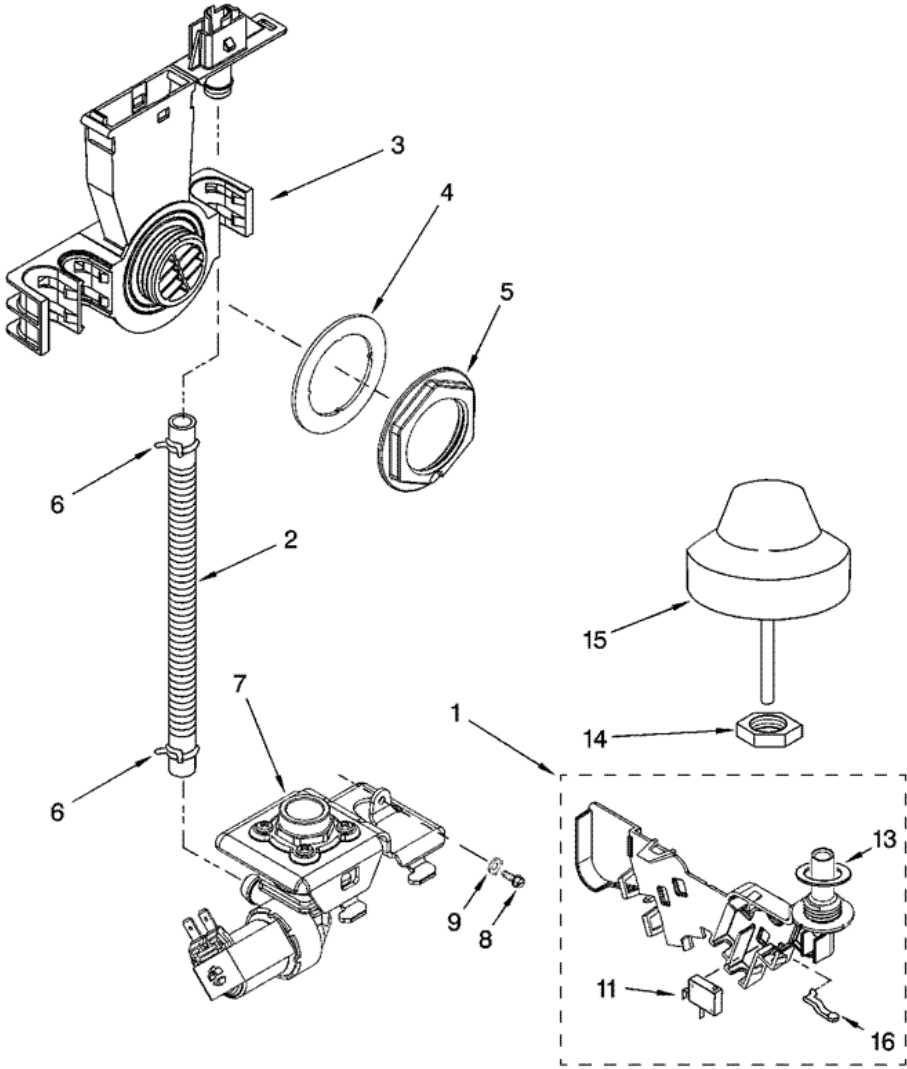




## KUDS01FLSS6 HEATER

1	W10082892	HEATER ELEMENT ASSEMBLY (S/P)
2	717273	WASHER, HEATER ELEMENT (S/P)
3	W10274914	NUT, HEATER ELEMENT (S/P)
5	3400931	RETAINER, SPRING GRIP (S/P)

**KUDS01FLSS6 FILL AND OVERFILL**





## KUDS01FLSS6 FILL AND OVERFILL

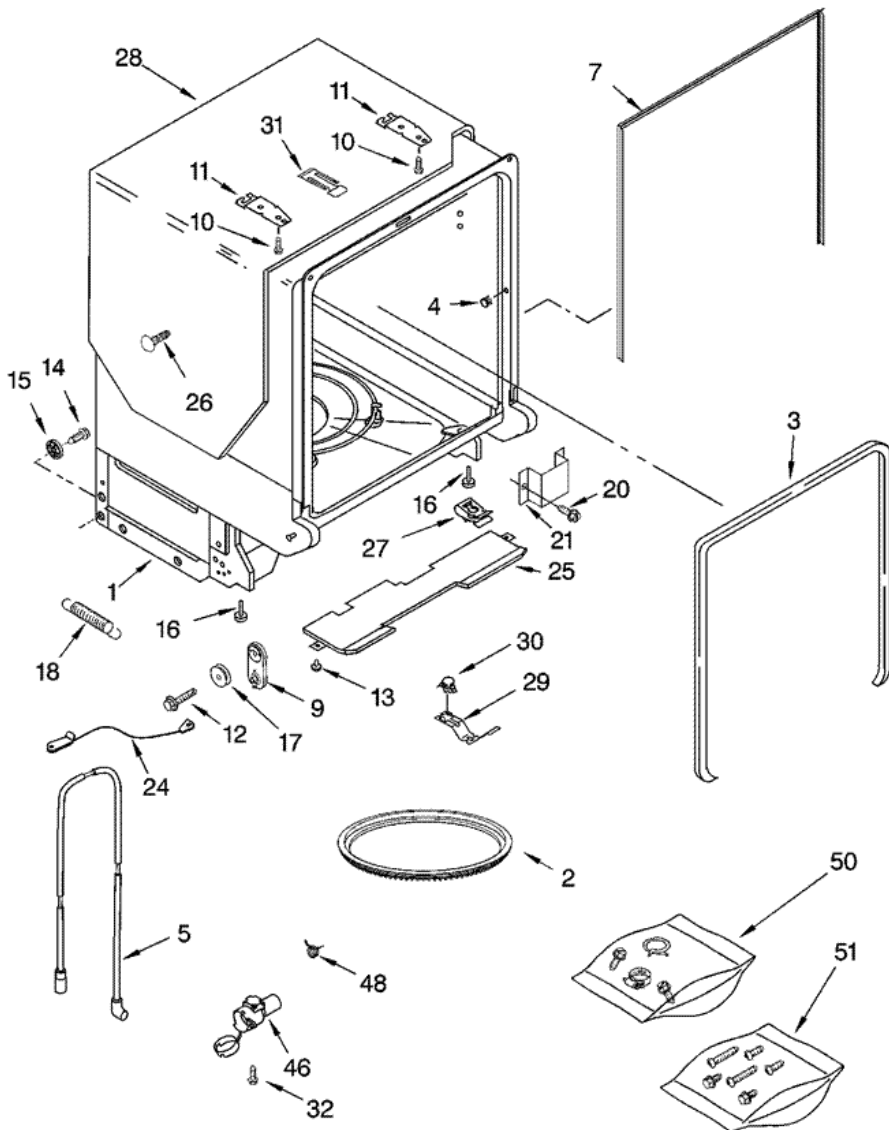
1	8193506	CONTROL, OVERFIL ASSEMBLY (S/P)
2	8531412	HOSE, INLET (S/P)
3	W10195536	WATER INLET (ALSO ORDER ITEM 4) (S/P)
4	8531323	GASKET (S/P)
5	8535151	NUT, INLET (ALSO ORDER ITEM 4) (S/P)
6	596669	CLAMP, HOSE (S/P)
7	8531669	FILL VALVE ASSEMBLY (S/P)
8	3400014	SCREW (S/P)
9	3378128	WASHER (S/P)
11	8268909	SWITCH, OVERFILL CONTROL (S/P)
13	8531743	GASKET, FLAT (S/P)
14	9741998	NUT, STANDPIPE (S/P)
15	8268895	FLOAT & RETAINER ASSEMBLY (S/P)
16	8268892	LEVER, OVERFLOW SWITCH (S/P)

Distribuidor Autorizado

SurteRápido.com

Venta de Refacciones  
Electrodomesticas

# KUDS01FLSS6 TUB AND FRAME





## KUDS01FLSS6 TUB AND FRAME

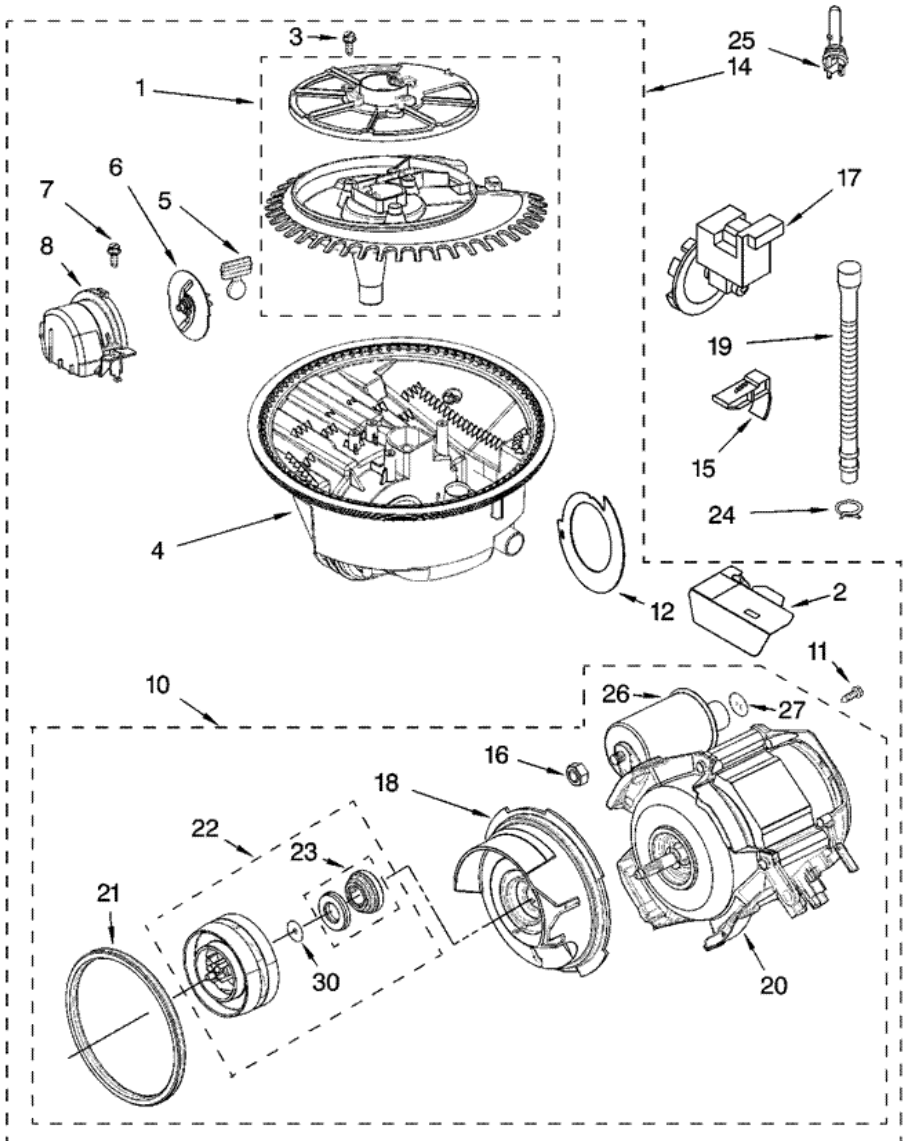
1	8194511	TUB ASSEMBLY <b>DESCONTINUADO</b>
2	8268395	SEAL, SUMP <b>(S/P)</b>
3	8193942	DOOR SEAL <b>(S/P)</b>
4	W10082838	PLUG TUB (2) <b>(S/P)</b>
5	8531022	DRAIN LOOP WITH CHECK VALVE <b>(S/P)</b>
7	8269110	SEAL, CABINET <b>(S/P)</b>
9	8270021	MOUNT, DOOR BALANCE <b>DESCONTINUADO</b>
10	3367670	SCREW <b>(S/P)</b>
11	8269145	BRACKET, UNDERCOUNTER <b>(S/P)</b>
12	3400074	SCREW (2) <b>(S/P)</b>
13	3400924	RETAINER, PUSH-IN <b>(S/P)</b>
14	3370389	SCREW (2) <b>(S/P)</b>
15	8268977	WHEEL LEG <b>(S/P)</b>
16	8193716	LEVELER, LEG <b>(S/P)</b>
17	8524474	WHEEL, DOOR BALANCE <b>(S/P)</b>
18	8270182	SPRING, DOOR BALANCE <b>(S/P)</b>
20	3400892	SCREW <b>(S/P)</b>
21	8268991	COVER, TERMINAL BOX <b>(S/P)</b>
24	8194001	LINK, DOOR BALANCE
25	W10266857	INSULATOR, SOUND <b>(S/P)</b>
26	304666	RETAINER, PUSH (2) <b>(S/P)</b>
27	8269016	CLIP, GROUNDING <b>(S/P)</b>
28	8573239	SHIELD, SOUND TUB <b>(S/P)</b>
29	9742648	BRACKET, THERMOSTAT <b>(S/P)</b>
30	661566	THERMOSTAT <b>(S/P)</b>
31	8574157	STRIKE, LATCH <b>(S/P)</b>
32	9741232	SCREW <b>(S/P)</b>
46	8542575	SWITCH, PRESSURE <b>(S/P)</b>
48	356138	CLAMP, HOSE (1) <b>(S/P)</b>
50	W10292170	MISCELLANEOUS PARTS BAG <b>(S/P)</b>
51	8531882	SCREWS, BAG DOOR ASSEMBLY <b>(S/P)</b>

Distribuidor Autorizado

SurteRápido.com

Venta de Refacciones  
Electrodomesticas

# KUDS01FLSS6 PUMP AND MOTOR





## KUDS01FLSS6 PUMP AND MOTOR

1	8193918	ACCUMULATOR ASSY (S/P)
2	8283527	SHIELD, MOTOR (S/P)
3	3400069	SCREW (S/P)
4	8534882	SUMP WITH SEAL (S/P)
5	8268375	CHECK VALVE, SUMP (S/P)
6	8268383	CHOPPER ASSEMBLY (S/P)
7	9741232	SCREW (S/P)
8	8531857	PROTECTOR, INLET (S/P)
10	W10239404	MOTOR ASSEMBLY (S/P)
11	3400217	SCREW (S/P)
12	8268391	SCREEN, SEPARATION (S/P)
14	8535150	SUMP & MOTOR ASS. (INCLUDES ITEM 15) (S/P)
15	W10300599	TAB, SUMP (S/P)
16	8533949	NUT (S/P)
17	661658	PUMP, DRAIN (S/P)
18	W10142656	VOLUTE, BACK (ALSO ORDER ITEMS 23 & 30) (S/P)
19	8269144	HOSE, DRAIN (S/P)
20	8572617	MOTOR
21	W10142656	SEAL, VOLUTE (S/P)
22	8193951	IMPELLER KIT (S/P)
23	8193510	FACE SEAL ASSEMBLY (ALSO ORDER ITEM 30) (S/P)
24	356138	CLAMP, HOSE (S/P)
25	8269208	THERMISTER (S/P)
26	8572617	CAPACITOR
27	8534946	SHIELD, CAPACITOR (S/P)
30	8531018	WASHER (S/P)

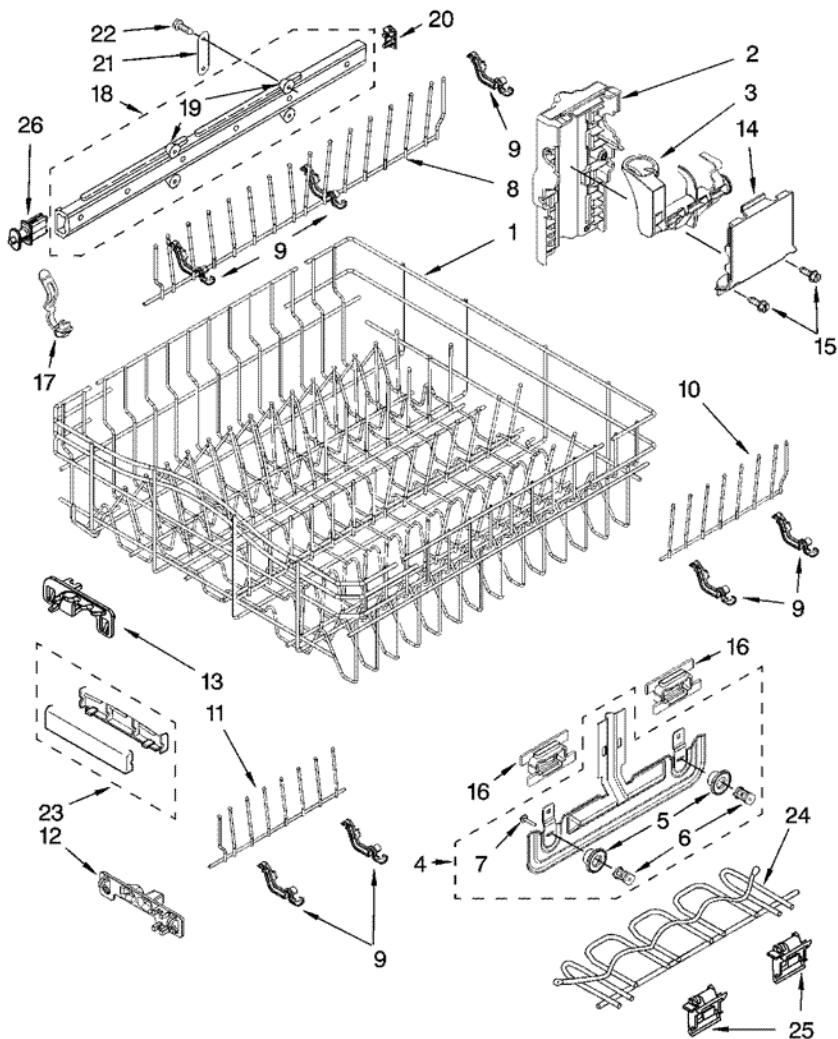


Distribuidor Autorizado

SurteRápido.com

Venta de Refacciones  
Electrodomesticas

# KUDS01FLSS6 UPPER RACK AND TRACK

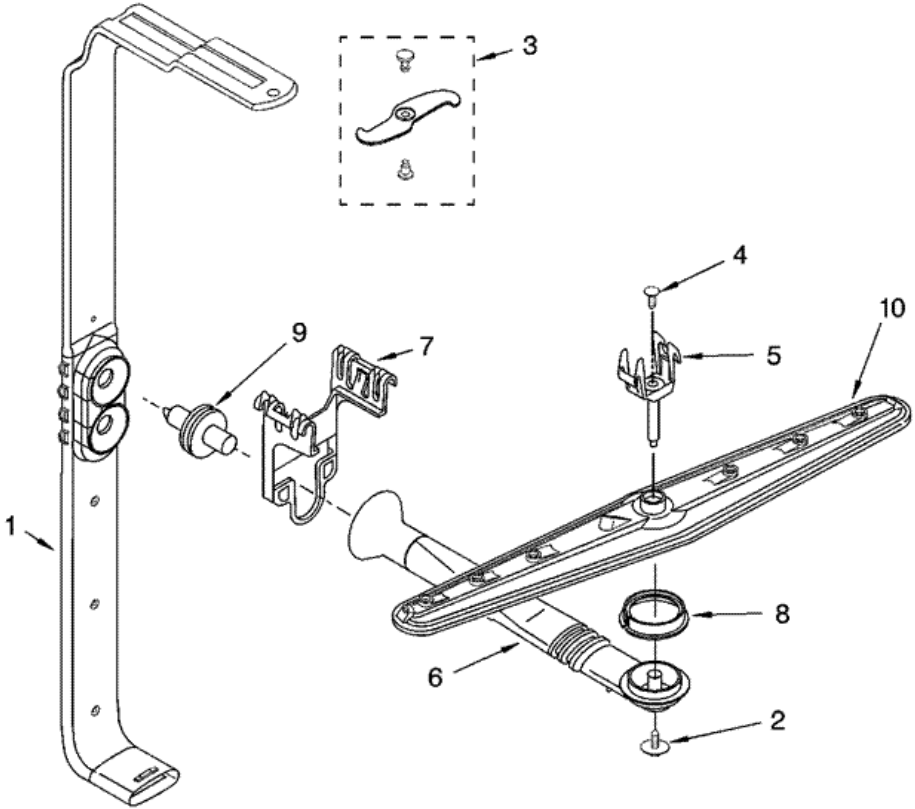




## KUDS01FLSS6 UPPER RACK AND TRACK

1	8539235	DISHRACK, UPPER (S/P)
2	8193741	HOUSING, ADJUSTER (S/P)
3	8531309	ACTUATOR, ADJUSTER (LEFT HAND) (S/P)
3	8531310	ACTUATOR, ADJUSTER (RIGHT HAND) (S/P)
4	8268653	ADJUSTER ASSEMBLY (S/P)
5	8270138	WHEEL (S/P)
6	8268703	AXEL, ADJUSTER (S/P)
7	8281156	SCREW (S/P)
8	9744566	TINE ROW (S/P)
9	8539190	CLIP, PIVOT (S/P)
10	9744568	TINE ROW, FRONT (S/P)
11	9744567	TINE ROW, REAR (S/P)
12	8539102	POSITIONER, DUAL (S/P)
13	8539103	POSITIONER, MULTI (S/P)
14	8193741	COVER, ADJUSTER (S/P)
15	9741232	RETAINER (S/P)
16	8268738	POSITIONER, ARM (S/P)
17	8539101	CLIP, NO-FLIP (S/P)
18	W10404344	TRACK, ASSEMBLY (ALSO ORDER ITEM 21) (S/P)
19	8270137	MOUNT, TRACK (ALSO ORDER ITEM 21) (S/P)
20	8270136	STOP, TRACK (S/P)
21	9743002	GASKET, BRACKET MOUNTING (S/P)
22	3400072	SCREW (8) (S/P)
23	8193945	HANDLE, DISHRACK (S/P)
24	8268804	CUPSHELF (S/P)
25	8270025	CLIP, CUPSHELF (S/P)
26	8531301	STOP, TRACK REMOVABLE (S/P)

**KUDS01FLSS6 UPPER WASH AND  
RINSE**

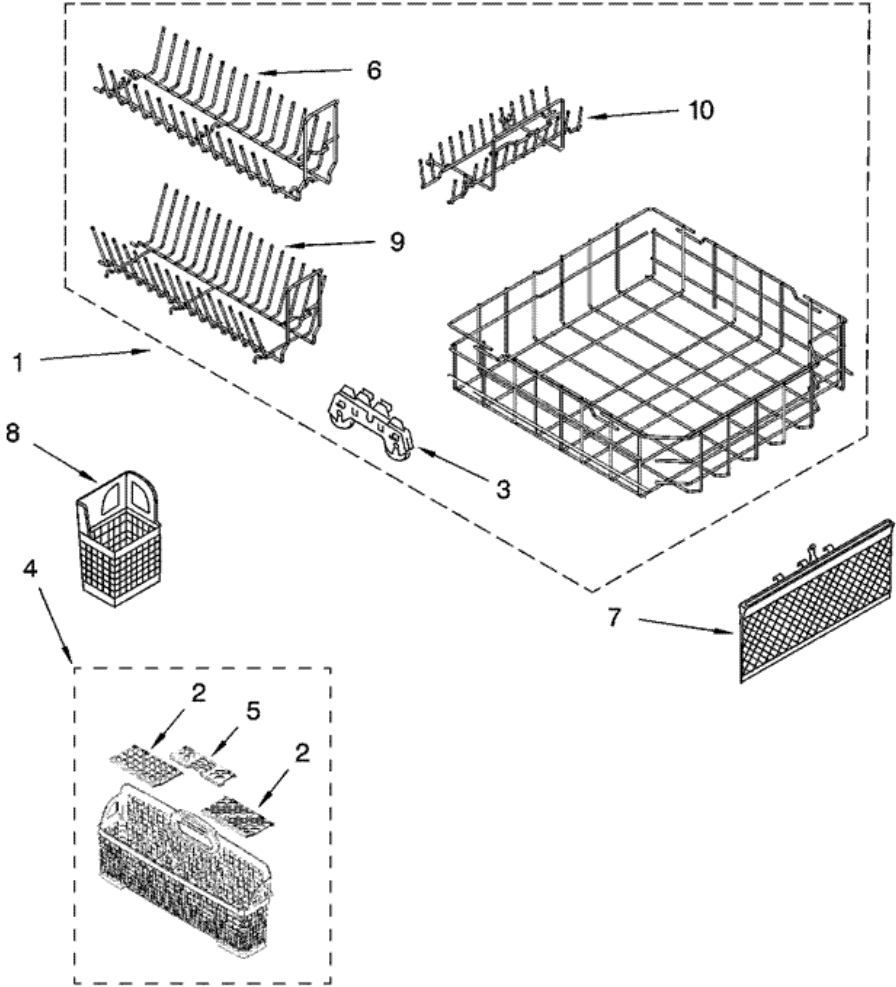




## KUDS01FLSS6 UPPER WASH AND RINSE

1	8559850	FEED TUBE ASSEMBLY (S/P)
2	8533889	SCREW (S/P)
3	8193504	SPRAYARM, 3RD LEVEL (S/P)
4	3400920	COVER, SCREW (S/P)
5	8268321	MOUNT (S/P)
6	8268356	MANIFOLD (S/P)
7	8268349	HANGER (S/P)
8	8268433	SEAL, SPRAYARM (S/P)
9	8268328	PROBE, MANIFOLD (S/P)
10	8535086	SPRAYARM (S/P)

**KUDS01FLSS6 LOWER RACK PARTS**





## KUDS01FLSS6 LOWER RACK PARTS

1	W10078180	LOWER RACK ASSEMBLY <b>(S/P)</b>
2	8519663	LID, BASKET SILVERWARE (RIGHT SIDE) <b>(S/P)</b>
2	8519695	LID, BASKET SILVERWARE (LEFT SIDE) <b>(S/P)</b>
3	8268713	WHEEL & TRANSPORT ASSEMBLY <b>(S/P)</b>
4	W10190415	BASKET, SILVERWARE <b>(S/P)</b>
5	8519662	LID, BASKET CENTER <b>(S/P)</b>
6	8519706	INSERT, LARGE <b>DESCONTINUADO</b>
7	8519716	BASKET-SMALL ITEMS <b>(S/P)</b>
8	8519702	BASKET, UTENSIL <b>(S/P)</b>
9	8519707	INSERT, MEDIUM <b>DESCONTINUADO</b>
10	8519717	INSERT, SMALL <b>(S/P)</b>