

PARTS LIST

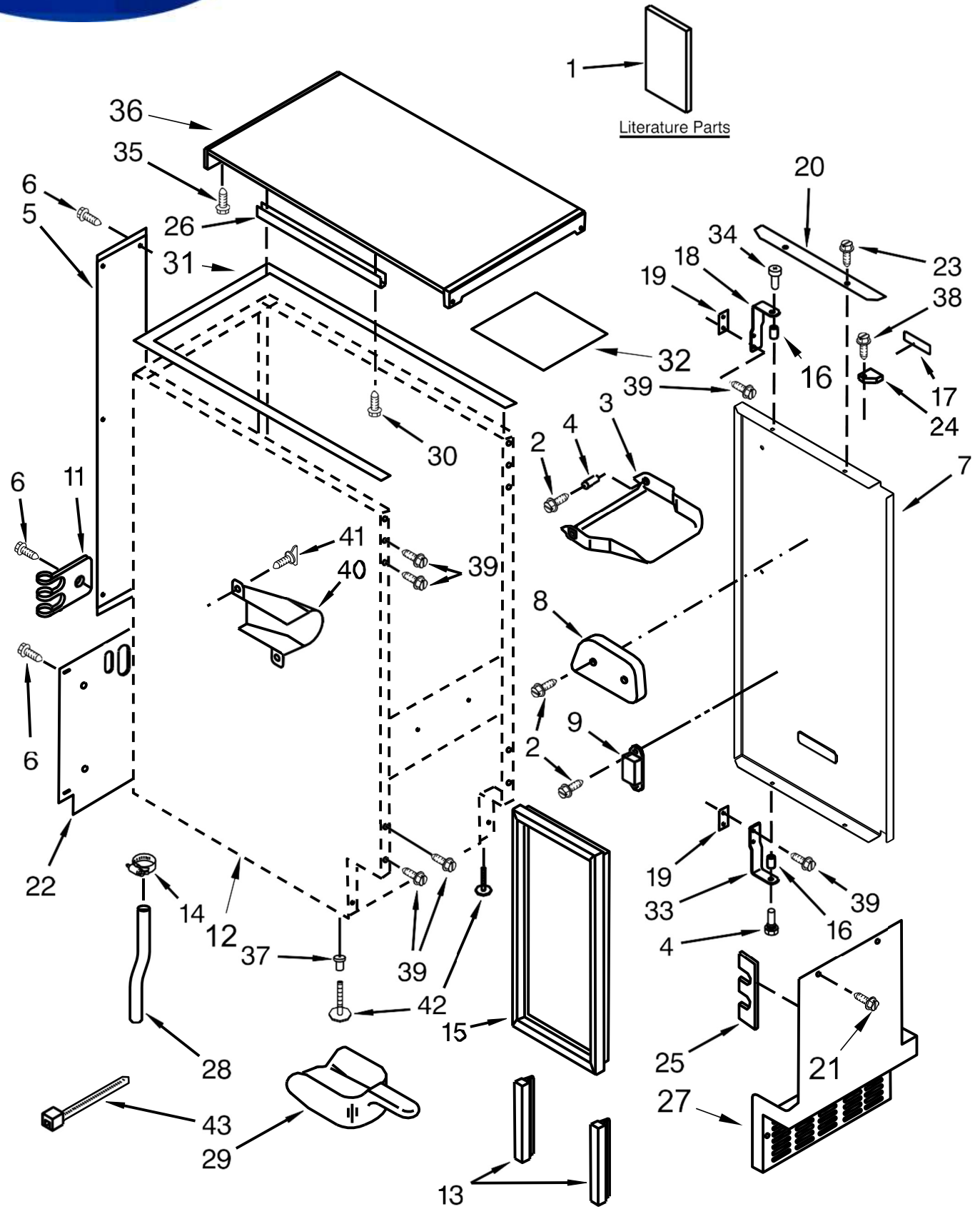
for

KitchenAid[®] **ICE CUBE MAKER**

Models:

KUIC15NRXS2 (Stainless)

**FOR CUSTOMER SATISFACTION ALWAYS USE
FACTORY SPECIFICATION PARTS**



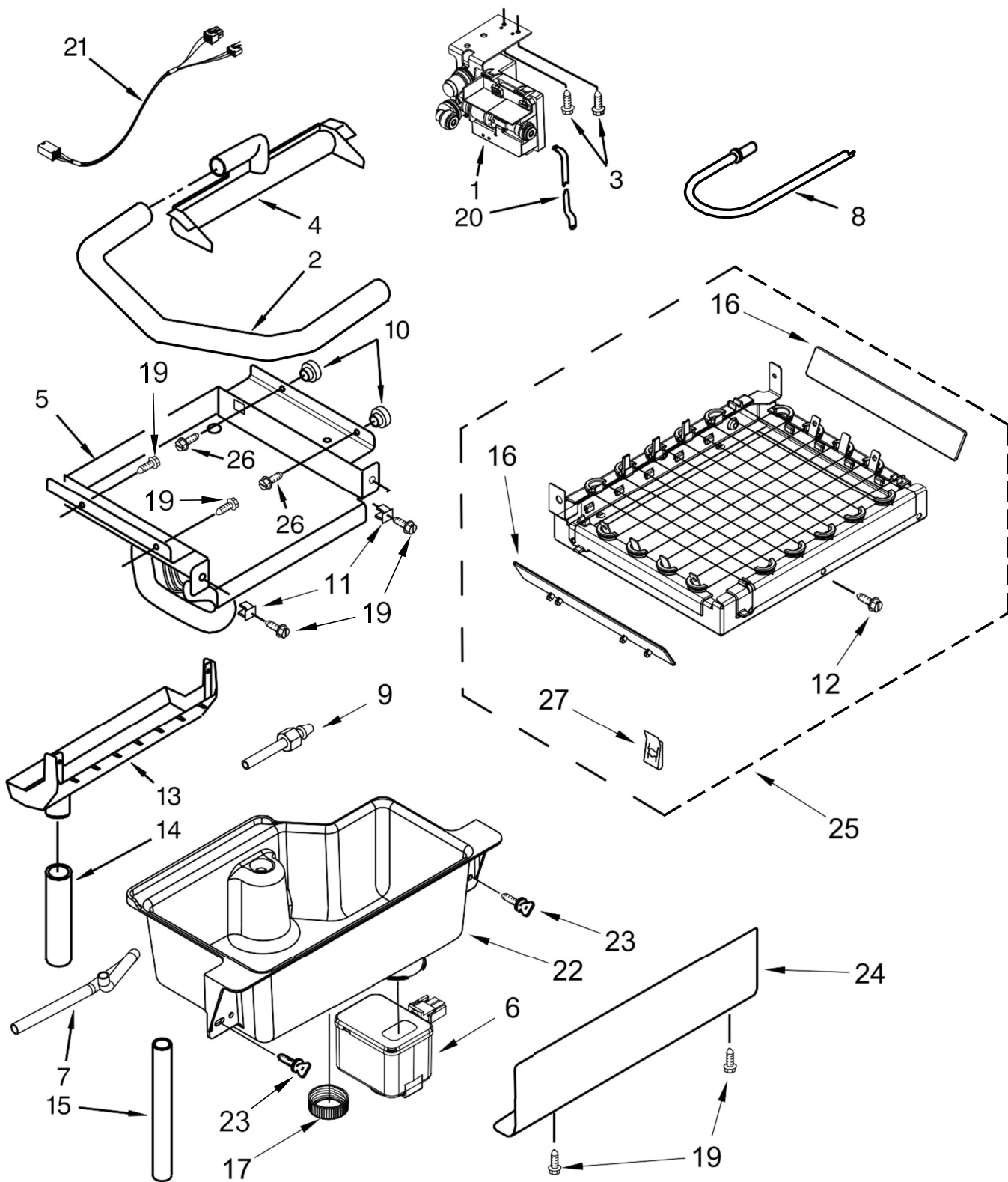


MAQUINA DE HIELOS KUIC15NRXS2

| <u>Illus. No.</u> | <u>Part No.</u> | <u>Description</u> | <u>Illus. No.</u> | <u>Part No.</u> | <u>Description</u> |
|-------------------|-----------------|--------------------------------|-------------------|-----------------|--------------------|
| 1 | | Literature Parts | 29 | 585158 | Scoop |
| | W10340960 | Use & Care Guide | 30 | 3400884 | Screw |
| | W10536704 | Service & Wiring Sheet | 31 | 2217293 | Gasket, Top Panel |
| 2 | 3400886 | Screw | 32 | 2185690 | Shield, Electrical |
| 3 | 2185742 | Bin, Door | 33 | 2185711 | Hinge, Bottom |
| 4 | 2185678 | Spacer | 34 | 2185712 | Pin, Hinge |
| 5 | 2217394 | Cover, Wiring | 35 | 489048 | Screw |
| 6 | 489442 | Screw | 36 | | Top |
| 7 | | Door | | W10320111 | Black |
| | 2313815 | Wrap, Door | 37 | 3400240 | Nut, Leg Leveler |
| 8 | 2185695 | Cam, Door | 38 | 348689 | Screw |
| 9 | W10529250 | Assembly, Magnetic Catch | 39 | 489420 | Screw |
| 11 | 2208136 | Clip, Water Tube | 40 | 2185927 | Holder, Scoop |
| 12 | | Cabinet & Liner (NOT SERVICED) | 41 | 8281228 | Thumbscrew |
| | | | 42 | 3374849 | Leg, Leveling |
| 13 | 2217367 | Gasket, Bottom | 43 | 2155774 | Tie, Wire |
| 14 | 489503 | Clamp, Hose | | | |
| 15 | 2217294 | Gasket, Door | | | |
| 16 | 2185640 | Sleeve, Hinge | | | |
| 17 | | Nameplate | | | |
| | W10243391 | Stainless | | | |
| 18 | 2185710 | Hinge, Top | | | |
| 19 | 2185709 | Shim, Hinge | | | |
| 20 | | Handle, Door | | | |
| | 9872207S | | | | |
| 21 | 489474 | Screw | | | |
| 22 | W10136199 | Cover, Unit | | | |
| 24 | | Filler, Endcap | | | |
| | | Left Hand | | | |
| | 2185655B | Black | | | |
| | | Right Hand | | | |
| | 2185656B | Black | | | |
| 25 | 2185756 | Pad, Foam | | | |
| 26 | 2185691 | Channel, Wiring | | | |
| 27 | | Grill, Front | | | |
| | 2185571B | Black | | | |
| 28 | 2185989 | Tube, Drain | | | |



MAQUINA DE HIELOS KUIC15NRXS2



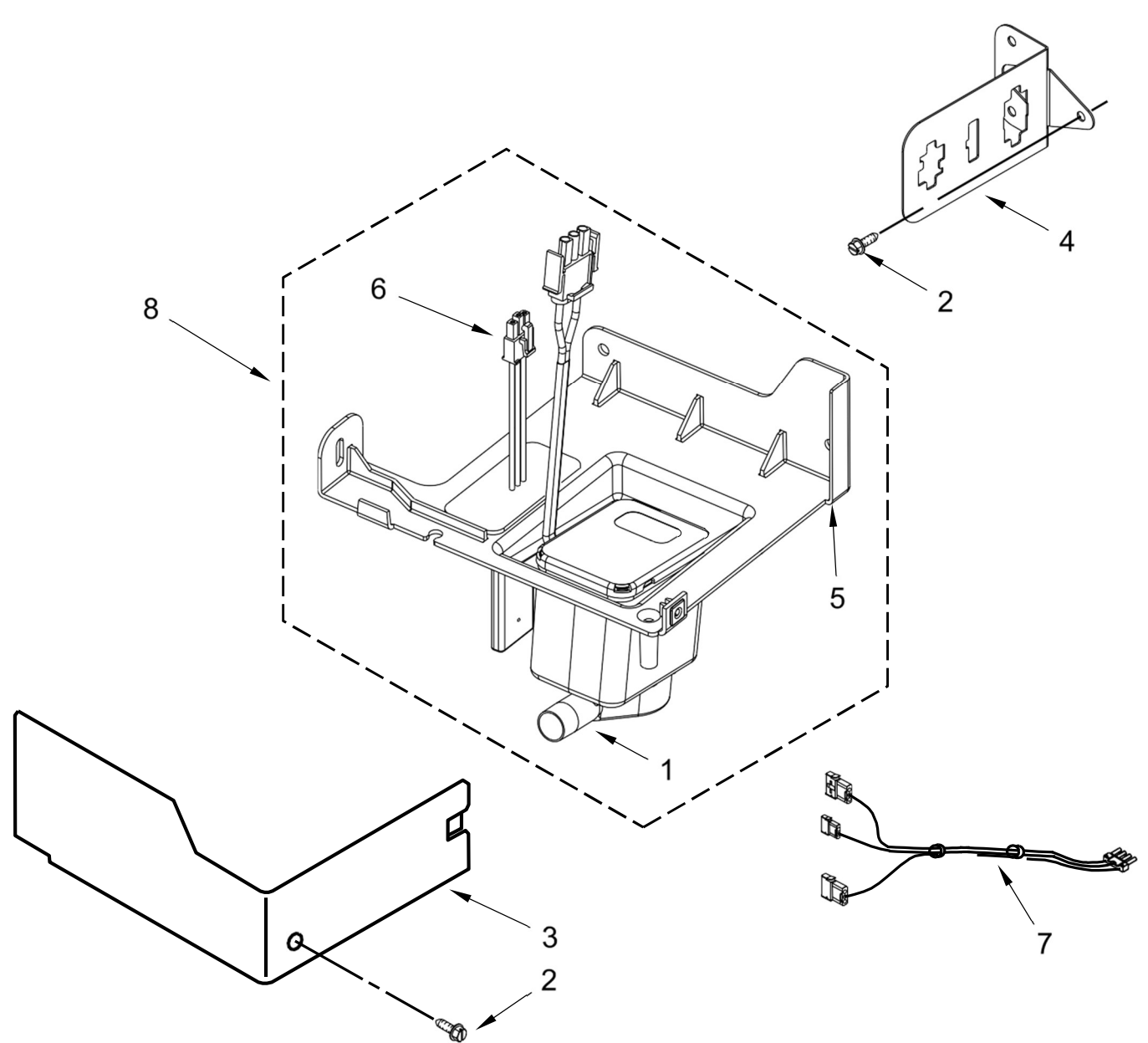


MAQUINA DE HIELOS KUIC15NRXS2

| <u>Ilus.</u> <u>No.</u> | <u>Part No.</u> | <u>Description</u> |
|----------------------------|-----------------|---------------------------------------|
| 1 | W10340983 | Valve, Smart Electronic |
| 2 | 2217286 | Tube, Plastic |
| 3 | 488208 | Screw |
| 4 | 2185523 | Dispenser, Water |
| 5 | W10218037 | Evaporator |
| 6 | 2313705 | Pump, Drain |
| 7 | 2313851 | Tube, Reservoir Pump |
| 8 | W10418868 | Tube, Water Fill |
| 9 | W10464829 | Tube, Plug |
| 10 | 836667 | Spacer |
| 11 | 3400909 | Nut, Push In |
| 12 | 489443 | Screw |
| 13 | 2185625 | Reservoir, Water Slide |
| 14 | 2185626 | Tube |
| 15 | 2313890 | Hose, Overflow |
| 16 | 2313604 | Guide, Ice |
| 17 | W10503850 | Cap, Drain |
| 19 | 3400884 | Screw |
| 20 | W10437855 | Tube, Water Inlet |
| 21 | 2310169 | Wire Assembly, Smart Valve |
| 22 | 2324334 | Reservoir, Water |
| 23 | 8281228 | Thumbscrew |
| 24 | 2185570 | Cover, Grid |
| 25 | W10536696 | Grid Assembly (Includes Wire Harness) |
| 26 | 3400886 | Screw |
| 27 | 488660 | Nut, "U" |



MAQUINA DE HIELOS KUIC15NRXS2



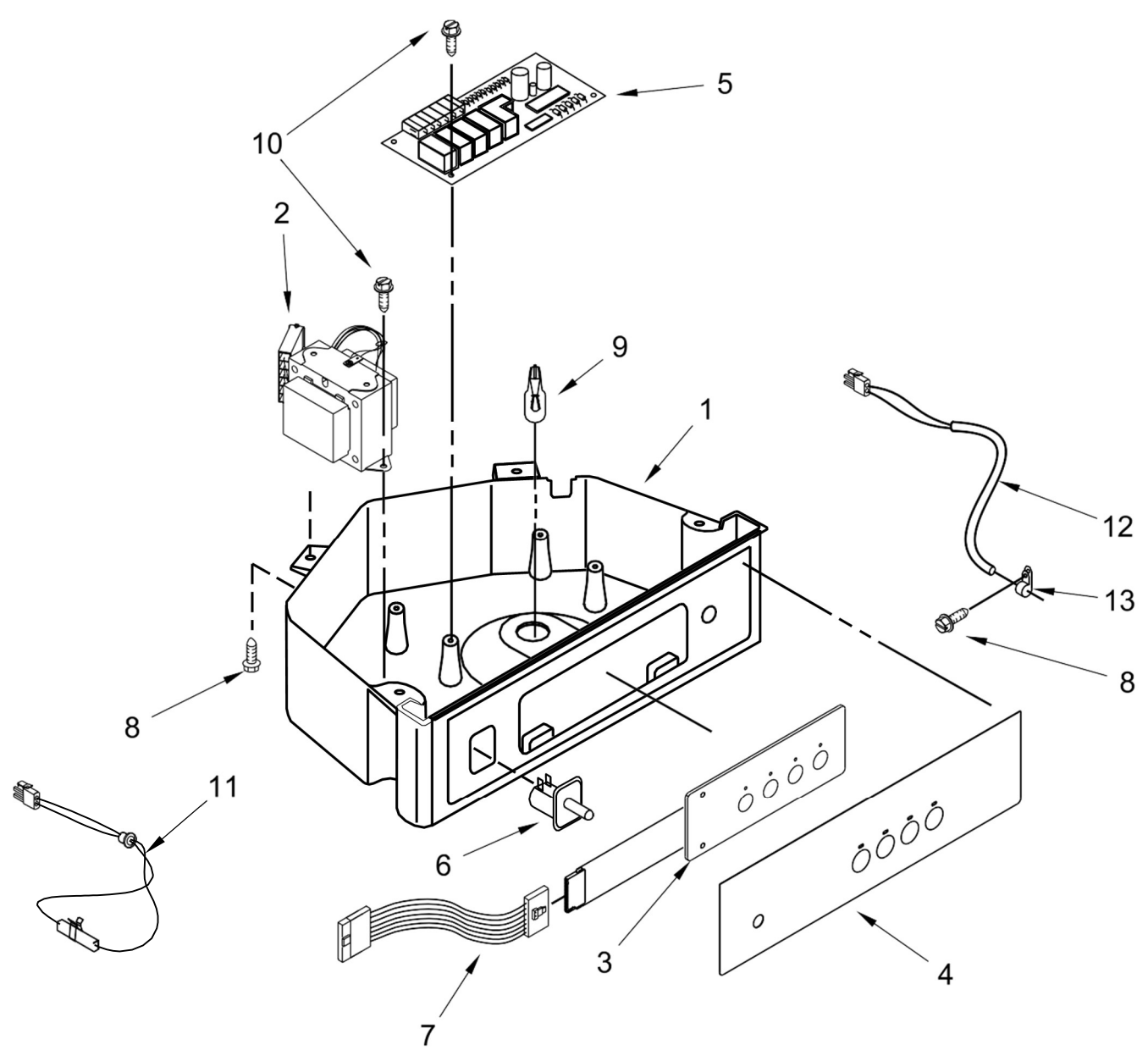


MAQUINA DE HIELOS KUIC15NRXS2

| <u>Ilus.</u> <u>No.</u> | <u>Part No.</u> | <u>Description</u> |
|----------------------------|-----------------|--------------------------------|
| 1 | 2313628 | Pump, Recirculating |
| 2 | 3400884 | Screw |
| 3 | 2185677 | Cover, Pump |
| 4 | 2313844 | Bracket, Connector Assembly |
| 5 | 2313627 | Bracket, Pump |
| 6 | W10548509 | Sensor, Motor |
| 7 | W10340992 | Wiring Harness Main To Pump |
| 8 | 2313702 | Assembly, Pump |



MAQUINA DE HIELOS KUIC15NRXS2



BENITO JUÁREZ #1500 GPE ZITON, CD. GUADALUPE NUEVO LEÓN TEL: 8183377999 Y 49
HORARIOS: LUNES A VIERNES 8:30 A 6:00 PM Y SÁBADOS DE 8:30 A 2:00 PM

www.denek.com

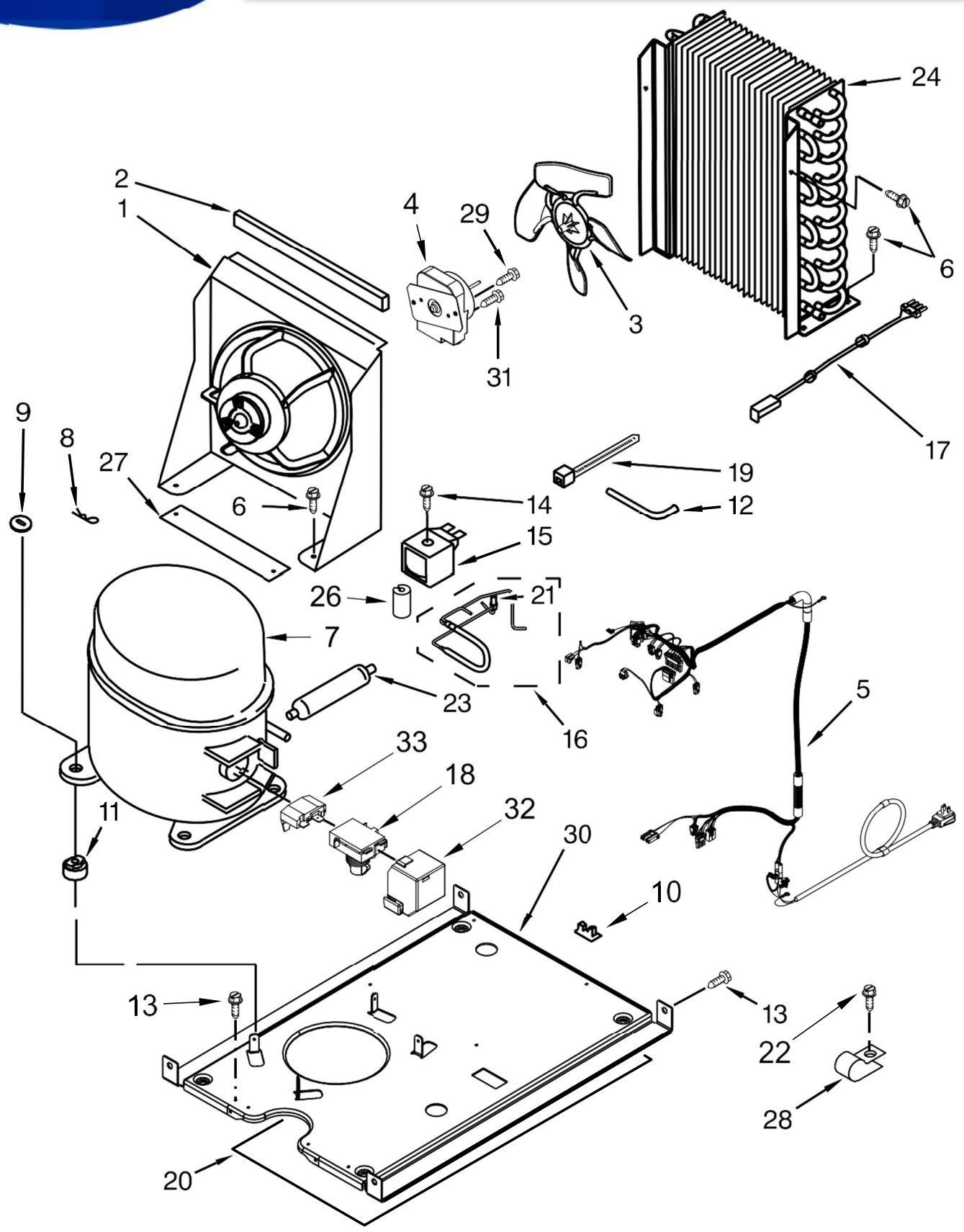


MAQUINA DE HIELOS KUIC15NRXS2

| <u>Ilus.</u> <u>No.</u> | <u>Part No.</u> | <u>Description</u> |
|----------------------------|-----------------|-------------------------------------|
| 1 | W10340993 | Box, Control |
| 2 | 2310139 | Transformer |
| 3 | W10562035 | Assembly, Switch (Also order #4) |
| 4 | W10282108 | Overlay |
| 5 | W10226156 | Control Board |
| 6 | 2149705 | Switch, Plunger |
| 7 | 2187585 | Harness, Unit |
| 8 | 3400884 | Screw |
| 9 | 745362 | Bulb |
| 10 | 3400850 | Screw |
| 11 | 2313635 | Thermister, Ice Control |
| 12 | W10503764 | Thermostat, Bin |
| 13 | 2185825 | Clamp |



MAQUINA DE HIELOS KUIC15NRXS2





MAQUINA DE HIELOS KUIC15NRXS2

Ilus.

| <u>No.</u> | <u>Part No.</u> | <u>Description</u> |
|------------|-----------------|---|
| 1 | 2185532 | Bracket, Fan Mounting |
| 2 | 2185675 | Pad, Foam |
| 3 | 2188935 | Blade, Fan |
| 4 | 2315558 | Assembly, Motor & Mounting Plate |
| 5 | W10483743 | Wiring Harness, Complete Unit (Includes Power Cord) |
| 6 | 304392 | Screw |
| 7 | W10536005 | Compressor |
| 8 | A201435 | Clip, Compressor Mounting |
| 9 | A201441 | Shim |
| 10 | 1115375 | Clip, Wiring |
| 11 | 2217318 | Grommet, Compressor |
| 12 | W10528572 | Tube, Process |
| 13 | 489420 | Screw |
| 14 | 489472 | Screw |
| 15 | W10206473 | Coil, Solenoid |
| 16 | W10534030 | Valve, Hot Gas |
| 17 | 2187629 | Jumper, Wire (Condenser Fan) |
| 18 | 2217224 | Start, Device |
| 19 | 2185788 | Clamp, Cable |
| 20 | W10282061 | Shield, Heat |
| 21 | W10534030 | Valve, Hot Gas |
| 22 | 304392 | Screw |
| 23 | W10183199 | Drier |
| 24 | 2313624 | Condenser |
| 26 | 2319835 | Grommet, Condenser |
| 27 | 2217397 | Pad, Foam |
| 28 | 2185960 | Clamp, Power Cord |
| 29 | 8281197 | Screw |
| 30 | 2217445 | Base, Unit |
| 31 | 8281196 | Screw |
| 32 | 2208371 | Cover, Terminal |
| 33 | 2217223 | Overload Protector |
| | | REFRIGERANT CHARGE |
| | | 6.2 oz. (R-134A) |

OPTIONAL PARTS (NOT INCLUDED)

PAINT, TOUCH-UP (1/2OZ.)

| <u>Illus. No.</u> | <u>Part No.</u> | <u>Description</u> |
|-------------------|-----------------|-------------------------|
| | 72017 | White |
| | 72032 | Black |
| | 511873 | White Porcelain (2 oz.) |
| | 4392899 | Biscuit/Bisque |

PAINT, PRESSURIZED SPRAY (12 OZ.)

| <u>Illus. No.</u> | <u>Part No.</u> | <u>Description</u> |
|-------------------|-----------------|--------------------|
| | 350930 | White |
| | 350939 | Enamel, Black |
| | 285006 | Black |
| | 350942 | White Primer |
| | 4392901 | Biscuit/Bisque |

PAINT, BULK (1 QT.)

| <u>Illus. No.</u> | <u>Part No.</u> | <u>Description</u> |
|-------------------|-----------------|--------------------|
| | 799344 | White |

MISCELLANEOUS

| <u>Illus. No.</u> | <u>Part No.</u> | <u>Description</u> |
|-------------------|-----------------|---|
| | 212643 | Sealer, Gum (4 Feet) |
| | 479502 | Tape, Vinyl (3/4 x 108") |
| | 876370 | Insulation (2 Pieces, 3" x 24" x 48") |
| | 876305 | Insulation Kit (14 Pieces, 3" x 24" x 48") |
| | 978941 | Insulation, Fiberglass (63 1/2" x 35 1/2" x 2 5/8") |
| | 876029 | Kit, Foam Slab (30" x 32 1/2" x 1 1/2") |
| | 505587 | Sealer, Mastic (1 Qt) |
| | 503695 | Cork, Sealer |
| | 20000008 | Cleaner, Stainless Steel |
| | 542638 | Grease, Silicone (1/2 Oz.) |
| | 542639 | Cement, Alumilastic (1 1/4 Oz.) |
| | 833938 | Kit, Terminal Connector |

TORX SCREW WRENCH

| <u>Illus. No.</u> | <u>Part No.</u> | <u>Description</u> |
|-------------------|-----------------|--------------------|
| | 1117510 | Torx Key |