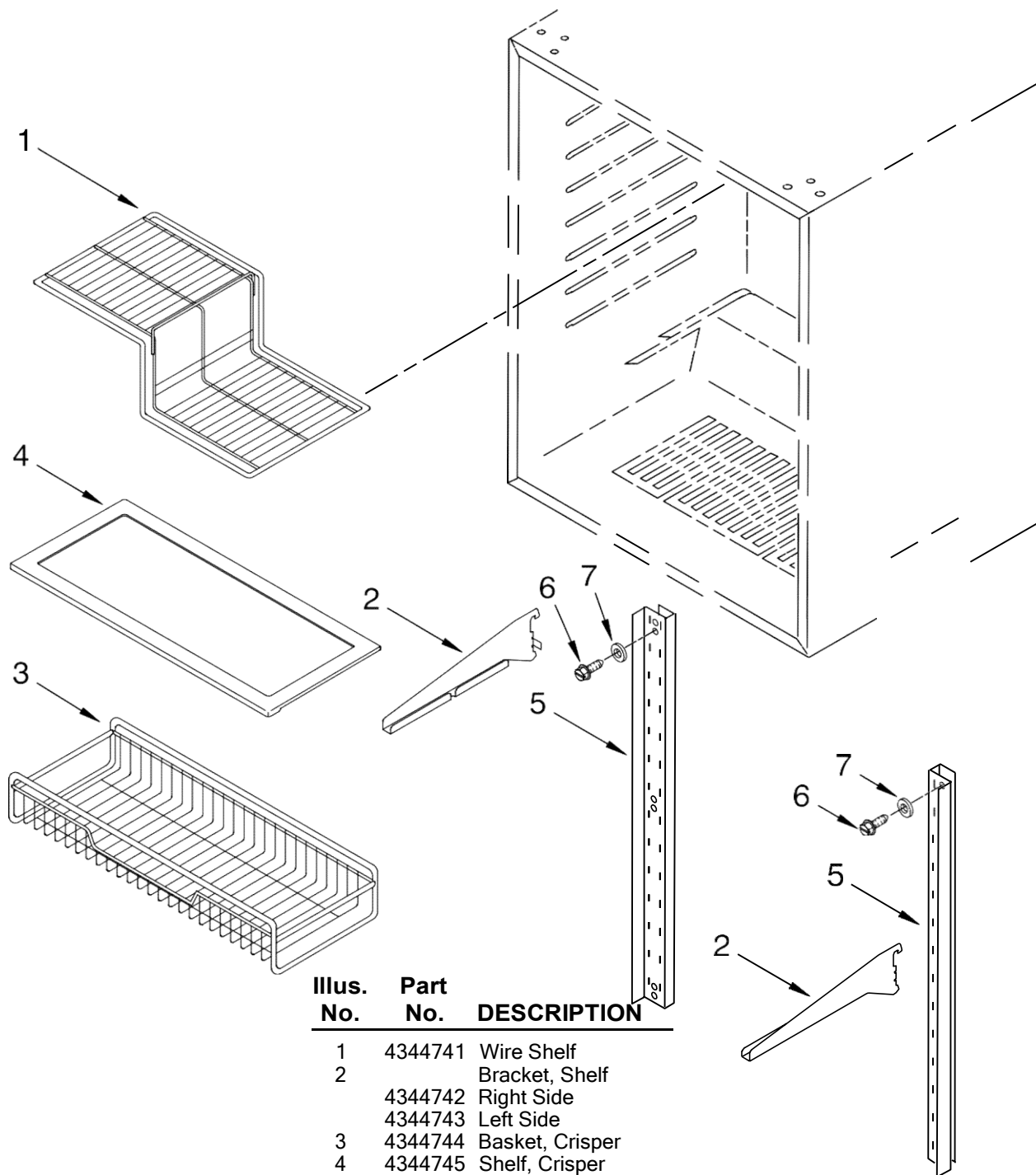


Illus. No.	Part No.	DESCRIPTION
1		Literature Parts
	4344903	Energy Guide
	2300274	Use & Care Guide
	4344902	Wiring Diagram
2		Cabinet (Not A Service Part)
3	4344739	Lens, Light
4	4344740	Bulb, Light
5	4344746	Heater, Defrost
6	4344747	Heat Shield
7	4344761	Grille
8	4344762	Plate, Bottom
9	4344763	Foot, Leveling
10	4344764	Brace, Support
11	4344765	Control Box
12		Frame, Side
	4344769	Left Side
	4344770	Right Side

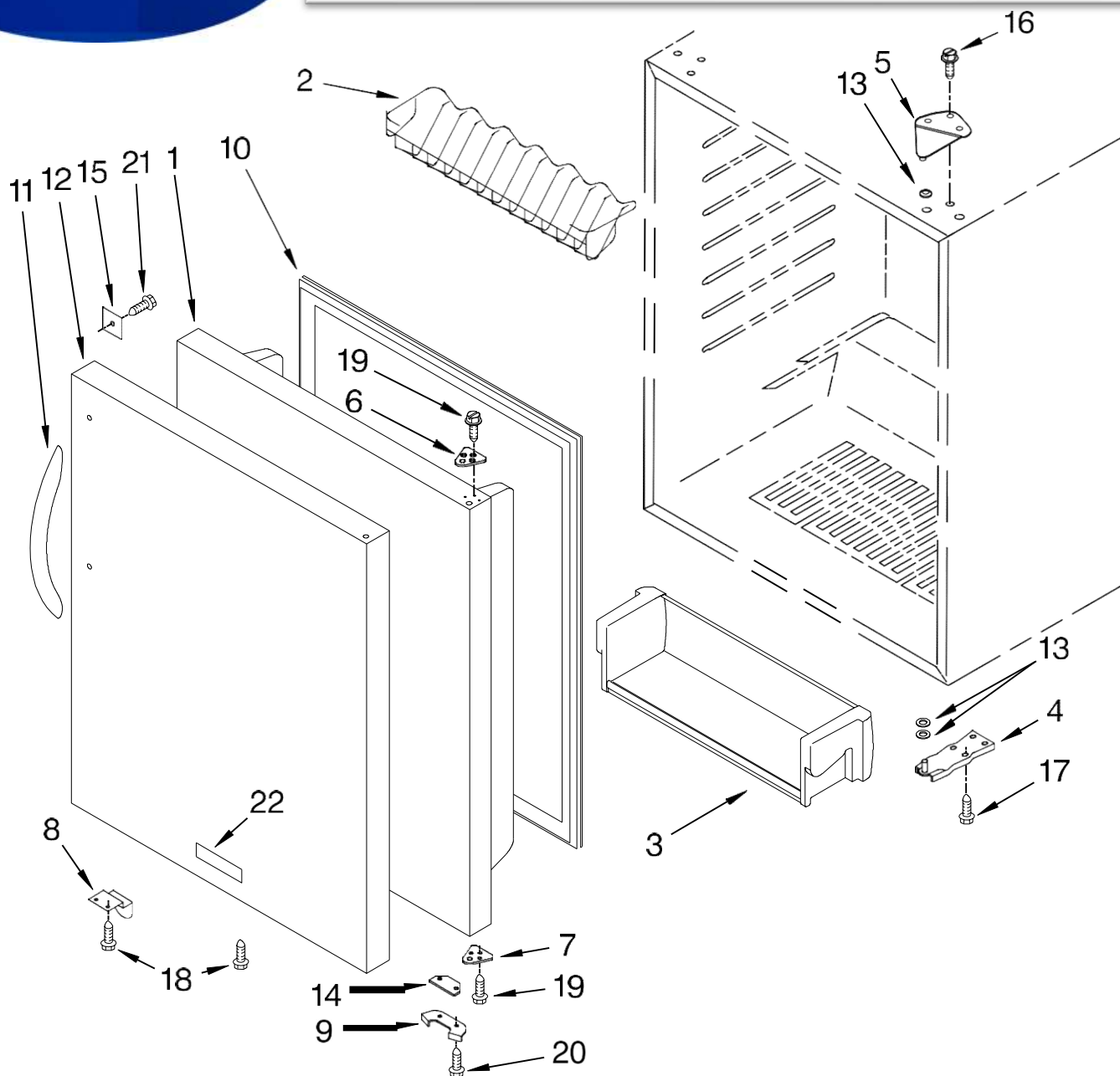
Illus. No.	Part No.	DESCRIPTION
13	4344771	Bracket, Grille
14	4344876	Evaporator Fan Assembly
15	4344766	Thermostat
16	4344768	Knob, Thermostat
17	4344767	Switch, Plunger
18	4344826	Screw
19	4344797	Screw
20	4344819	Clip, Grille
21	4344825	Screw
22	4344823	Seal
23		Frame, Support
	4344821	Right
	4344820	Left
24	4344824	Clip, Harness

Illus. No.	Part No.	DESCRIPTION
25	4344822	Harness, Wire
26	4344827	Screw
27	4344792	Thermal Fuse
28	4344793	Screw
29	4344791	Screw
30	4344783	Fan Blade
31	4344878	Screw
32	4344865	Evaporator Fan Motor
33	4344877	Harness, Wire
34	4344832	Screw, Ground
35	4344778	Grommet, Fan Motor
36	4344899	Bracket, Motor
37		Evaporator (Not Serviced)



Illus. No.	Part No.	DESCRIPTION
1	4344741	Wire Shelf
2	4344742	Bracket, Shelf
	4344743	Right Side
	4344743	Left Side
3	4344744	Basket, Crisper
4	4344745	Shelf, Crisper
5	4344748	Ladder, Shelf
	4344748	Left Side
	4344749	Right Side
6	4344794	Screw
7	4344795	Washer

FOR ORDERING INFORMATION REFER TO PARTS PRICE LIST

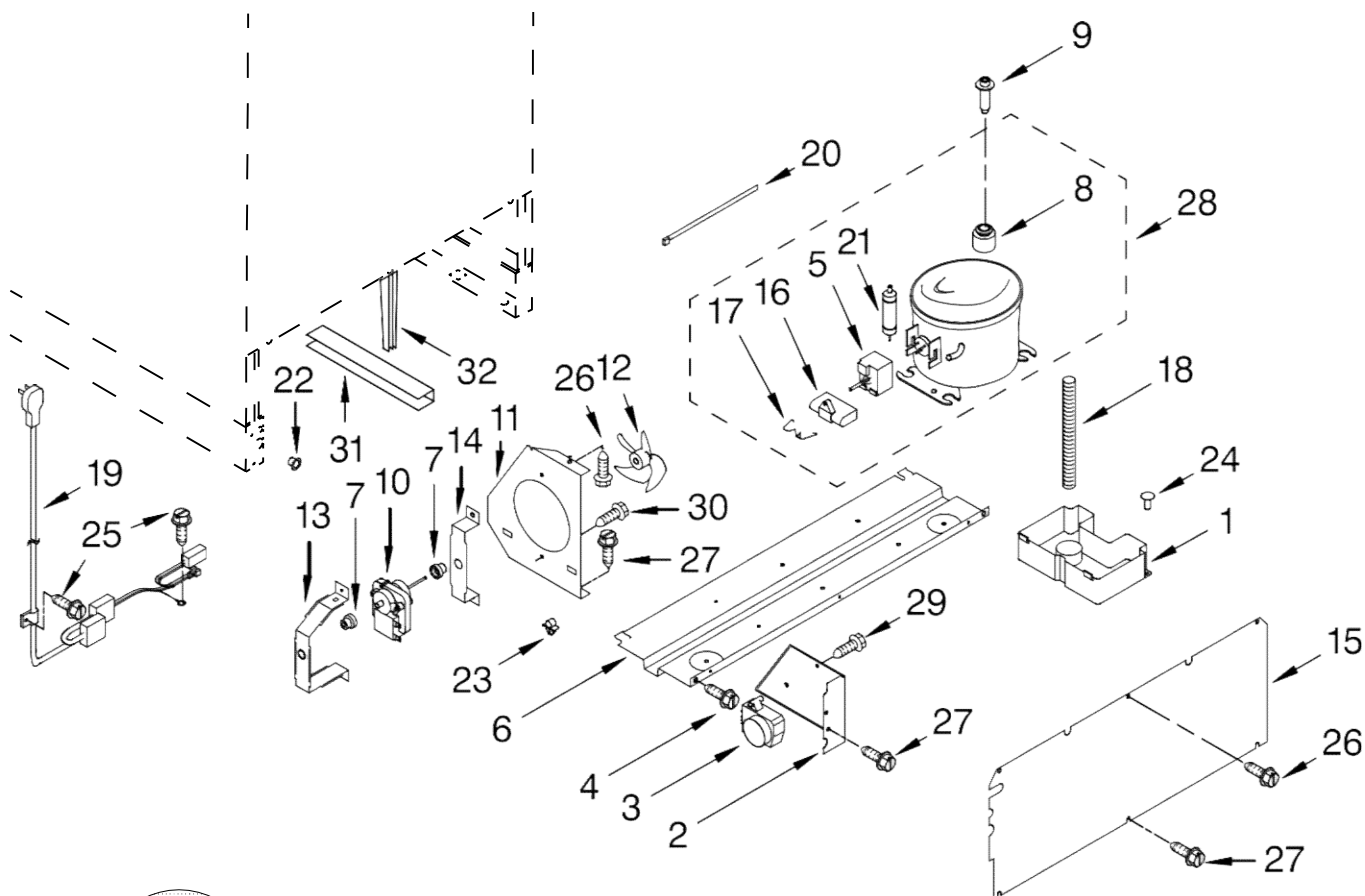


Illus. No.	Part No.	DESCRIPTION	Illus. No.	Part No.	DESCRIPTION	Illus. No.	Part No.	DESCRIPTION
1	4344750	Door Assembly (Includes Gasket)	11	4344810	Handle, Door	19	4344799	Screw
2	4344751	Beverage Holder	12	4344811	Door Skin, Stainless Steel	20	4344801	Screw
3	4344752	Door Bin	13	4344760	Washer	21	4344808	Screw
4	4344753	Hinge, Bottom	14	4344788	Spacer, Door	22	4344813	Nameplate
5	4344754	Hinge, Top	15	4344809	Plate	<b>OPTIONAL PARTS NOT ILLUSTRATED</b>		
6	4344755	Spacer, Top Hinge	16	4344796	Screw			
7	4344756	Spacer, Bottom Hinge	17	4344906	Screw, Lower Hinge Quantity 1	8171420 Cleaner, Stainless Steel (12 oz)		
8	4344757	Actuator, Switch		4344797	Quantity 3			
9	4344758	Door Stop	18	4344827	Screw			
10	4344759	Door Gasket						

FOR ORDERING INFORMATION REFER TO PARTS PRICE LIST

BENITO JUÁREZ #1500 GPE ZITON, CD. GUADALUPE NUEVO LEÓN TEL: 8183377999 Y 49  
HORARIOS: LUNES A VIERNES 8:30 A 6:00 PM Y SÁBADOS DE 8:30 A 2:00 PM

[www.denek.com](http://www.denek.com)



Illus. No.	Part No.	DESCRIPTION	Illus. No.	Part No.	DESCRIPTION	Illus. No.	Part No.	DESCRIPTION
1	4344772	Drain Pan	11	4344782	Baffle, Air	25	4344826	Screw
2	4344773	Bracket, Defrost Timer	12	4344783	Fan Blade	26	4344825	Screw
3	4344774	Defrost Timer	13	4344784	Bracket, Motor	27	4344832	Screw
4	4344797	Screw	14	4344785	Bracket, Motor	28	4344775	Compressor (Includes Items 5, 8, 16, 17 & 21)
5	4344776	Start Device	15	4344786	Cover, Rear	29	4344834	Screw
6	4344777	Mounting Plate, Compressor	16	4344837	Capacitor	30	4344833	Screw
7	4344778	Grommet, Fan Motor	17	4344836	Clip	31	4344907	Trim, Edge
8	4344779	Grommet, Compressor	18	4344839	Tube, Drain	32	4344908	Support, Drain
9	4344780	Bolt, Compressor	19	4344830	Power Cord	<b>REFRIGERANT CHARGE</b>		
10	4344781	Fan Motor, Condenser	20	4344829	Cable Tie	3.5 Ounces (R-134A)		
			21	4344828	Drier			
			22	4344838	Bushing			
			23	4344831	Clip, Bushing			
			24	4344835	Bushing			

FOR ORDERING INFORMATION REFER TO PARTS PRICE LIST

BENITO JUÁREZ #1500 GPE ZITON, CD. GUADALUPE NUEVO LEÓN TEL: 8183377999 Y 49  
HORARIOS: LUNES A VIERNES 8:30 A 6:00 PM Y SÁBADOS DE 8:30 A 2:00 PM

[www.denek.com](http://www.denek.com)