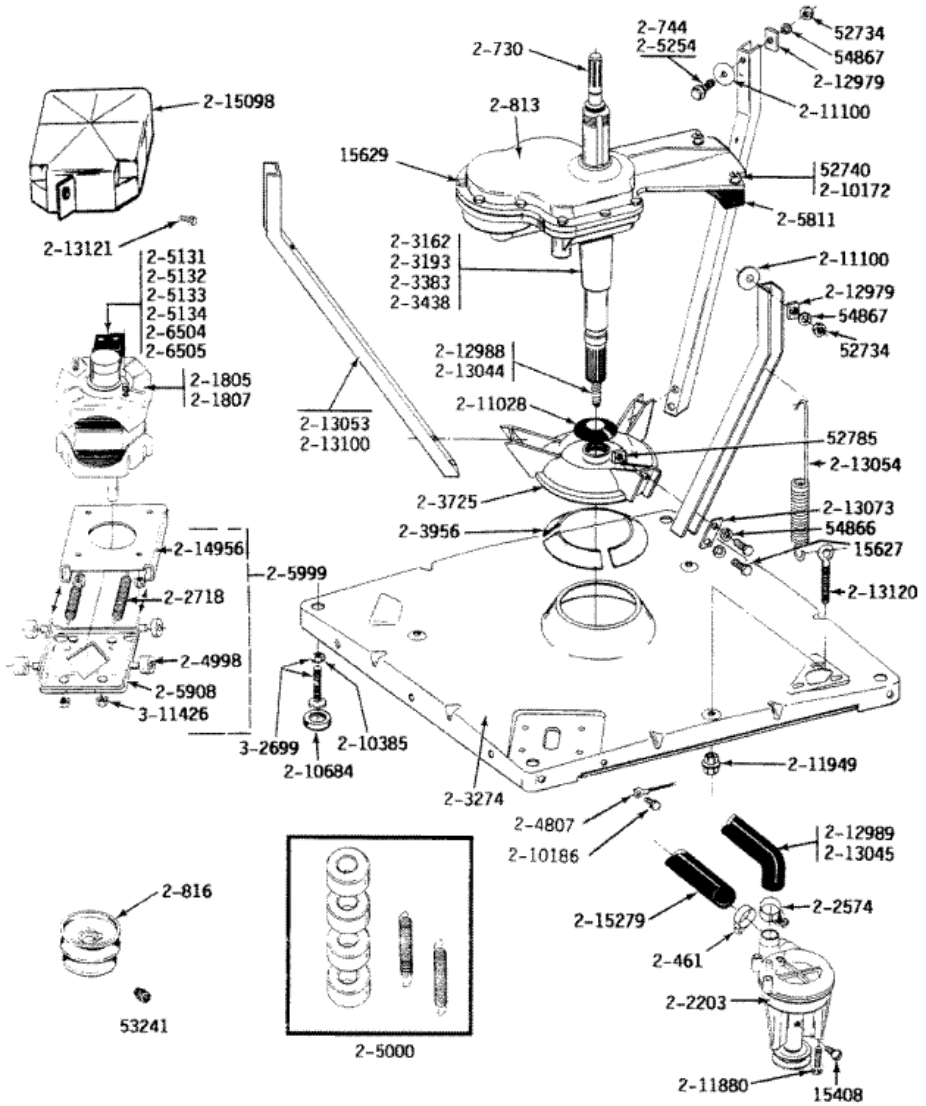


Distribuidor Autorizado

SurteRápido.com

Venta de Refacciones  
Electrodomesticas

## LA112 BASE





**LA112 BASE**

1	Y015408	SCREW, BEARING INSERT <b>(S/P)</b>
2	Y015627	SCREW, HEX HD CAP 5/16 X 5/8 <b>(S/P)</b>
3	Y015629	BOLT, GRINDING CHAMBER-DRAI <b>(S/P)</b>
4	Y052734	NUT <b>(S/P)</b>
5	Y052740	NUT <b>(S/P)</b>
6	Y052785	NUT, BRACE TO DAMPER <b>(S/P)</b>
7	Y053241	SET SCREW, PULLEY <b>(S/P)</b>
8	486009	LOCK WASHER <b>(S/P)</b>
9	Y054867	WASHER, LOCK <b>(S/P)</b>
10	285655	HOSE CLAMP - 1-5/8 INCH <b>(S/P)</b>
11	22002124	AGITATOR SHAFT
12	200744	BOLT & GASKET ASSY.(SHORT) <b>(S/P)</b>
13	200813	<b>DESCONTINUADO</b>
14	200816	PULLEY, MOTOR (W/SET SCREW)
15	12002351	MOTOR (ONE SPEED)
17	2-2203	PUMP AS PAK
18	3367052	CLAMP, HOSE <b>(S/P)</b>
19	2-5000	TENSION SPRINGS
20	203162	GEAR HOUSING W/STUDS & TUBE <b>(S/P)</b>
22	203274	BASE WITH DAMPER PADS <b>(S/P)</b>
23	22002130	TRANS & CENTER ASSM. REG TU
25	2-3725	DAMPER W/BOLT & CLIP
26	203956	DAMPER PAD KIT (W/POLY LUBE)
27	204807	GRND.WIRE, SUPP.PLTE TO TOP CVR <b>(S/P)</b>
28	2-5000	GLIDE KIT (4 W/POLY LUBE)
29	2-5000	GLIDE & SPRING KIT
30	205131	SWITCH, MOTOR START <b>(S/P)</b>
31	205132	SWITCH, MOTOR START <b>(S/P)</b>
32	205133	<b>DESCONTINUADO</b>
33	205134	<b>DESCONTINUADO</b>
34	205254	BOLT & GASKET ASSEMBLY (LONG) <b>(S/P)</b>
35	205811	<b>DESCONTINUADO</b>
36	205908	LOWER MOTOR MOUNT <b>(S/P)</b>

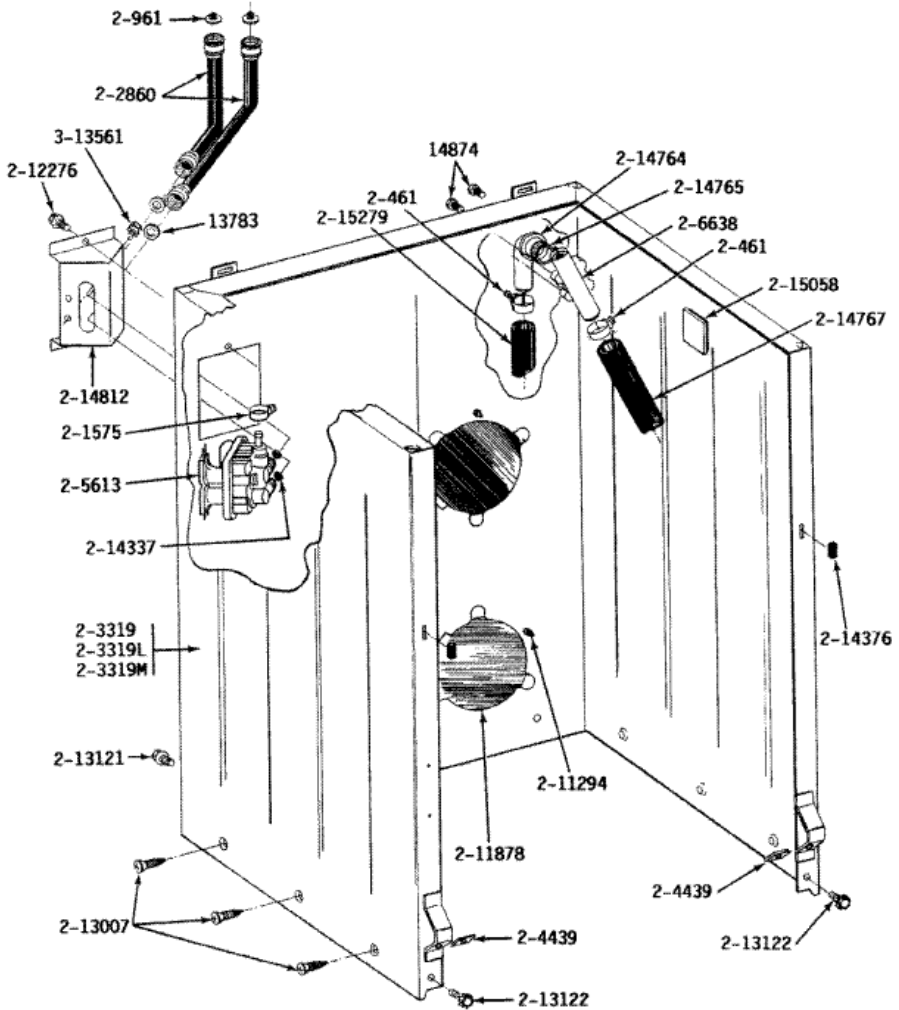
37	205999	MOTOR MOUNT ASSM COMPLETE
38	206504	MOTOR EXTERNAL START SWITCH (S/P)
39	206505	<b>DESCONTINUADO</b>
40	210172	LOCK WASHER (S/P)
41	210186	<b>DESCONTINUADO</b>
42	210385	NUT, LOCK (S/P)
43	210684	FOOT, RUBBER
44	22001586	DEFLECTOR, WATER (DRIVE TUBE) (S/P)
45	211100	WASHER, CUSHION (S/P)
46	211880	SCREW, HEX HD No.10 X 1/2 INC (S/P)
47	211949	NUT, EYEBOLT (S/P)
48	212979	WASHER, TUB BRACE (S/P)
49	212988	CENTER SHAFT (S/P)
50	2-12989	HOSE, OUTER TUB TO PUMP
52	213045	DRAIN HOSE-TUB TO PUMP
54	213054	CENTERING SPRING - 3 USED
55	213073	WASHER, DOUBLE (S/P)
56	213100	<b>DESCONTINUADO</b>
57	213120	EYE BOLT FOR CENTER SPRING (S/P)
58	213121	SCREW (S/P)
59	214956	MOUNT, MOTOR/UPPER (S/P)
60	215098	SHIELD, MOTOR
61	215279	HOSE, DRAIN
62	22003428	LEG, ADJUSTABLE (W/NUT)
63	Y311426	NUT, WASHERED LOCK (S/P)

Distribuidor Autorizado

**SurteRápido.com**

Venta de Refacciones  
Electrodomesticas

## LA112 GABINETE





## LA112 GABINETE

1	Y013783	GASKET, INLET HOSE (S/P)
2	Y014874	SCREW (S/P)
3	285655	HOSE CLAMP - 1-5/8 INCH (S/P)
4	200672	INLET HOSE ASSY. (S/P)
5	21001467	INLET HOSE, HOT 10 FT. (S/P)
6	200688	INLET HOSE, HOT 6 FT. (S/P)
7	Y200832	CAPACITOR (S/P)
8	12001413	SCREEN WASHER, INLET HOSE (S/P)
9	201575	HOSE CLAMP (S/P)
10	202860	INLET HOSE ASSY. (S/P)
11	202860	CARTON OF 25 HOSE, 5' (S/P)
12	203237	No.17 WIRE WITH TERMINAL (S/P)
14	203319L	(ALMOND) (S/P)
15	204439	SCREW & FSTNER ASSY(FRT.PANEL)
16	2-5613	WATER VALVE
17	202860	HOSE, INLET ASSY. (S/P)
18	206103	CAPACITOR KIT (S/P)
19	206638	SIPHON BREAK(W/CLAMP)
20	211149	CLIP, CAPACITOR (S/P)
21	211294	SCREW (S/P)
22	211878	PLATE, ACCESS (S/P)
23	212276	SCREW (S/P)
24	22001650	FASTENER, PANEL
26	216078	FRONT PANEL-ALMOND (S/P)
27	213007	SCREW, CABINET (S/P)
28	213121	SCREW (S/P)
29	213122	<b>DESCONTINUADO</b>
30	213846	GUARD, BELT (S/P)
31	214337	SCREEN, VALVE (S/P)
32	22002331	SPACER, FRONT PANEL (S/P)
33	208847	SIPHON BREAK ELBOW
34	214765	GASKET, SIPHON BREAK
35	22001448	HOSE, PUMP TO SIPHON BREAK

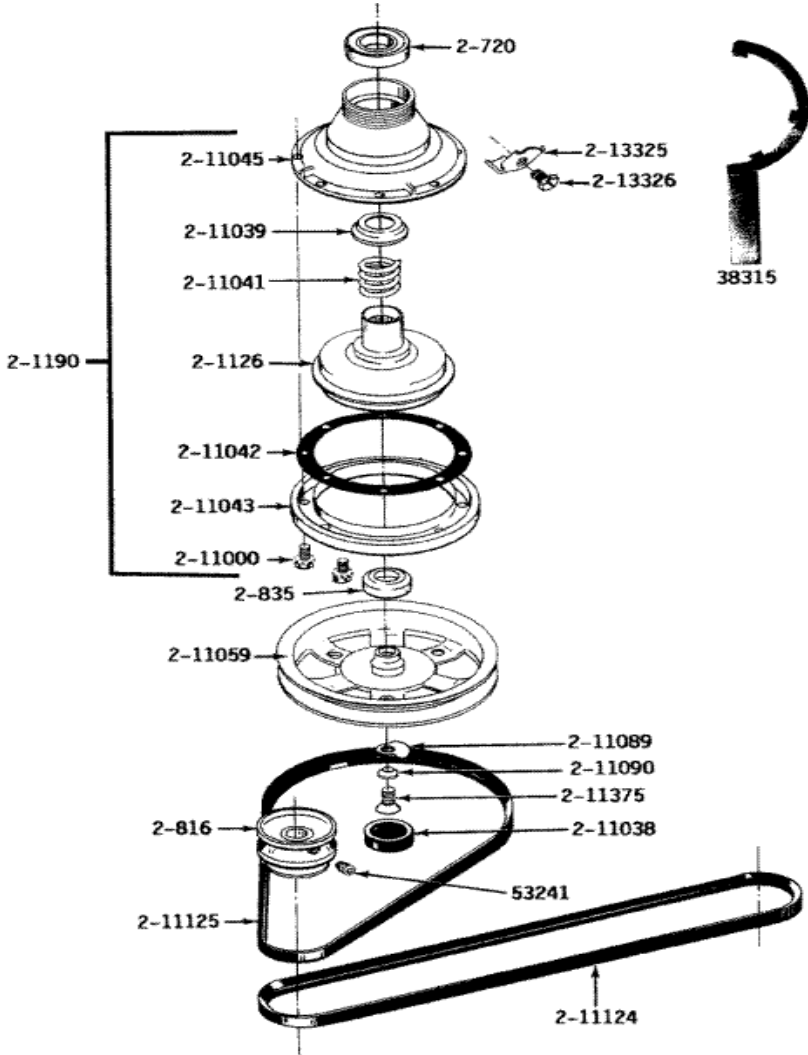
36	22002361	BRACKET, WATER VALVE (S/P)
37	215058	PAD, CABINET BUMPER (S/P)
38	215279	HOSE, DRAIN
39	Y313561	<b>DESCONTINUADO</b>

Distribuidor Autorizado

SurteRápido.com

Venta de Refacciones  
Electrodomesticas

## LA112 CLUTCH



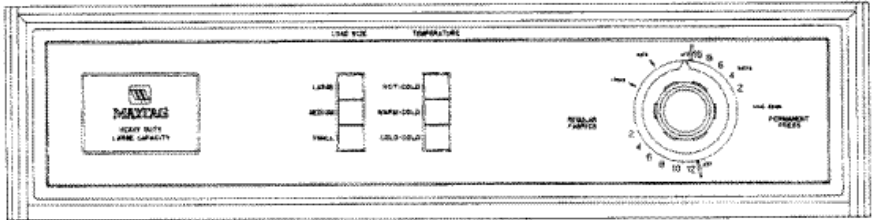


## LA112 CLUTCH

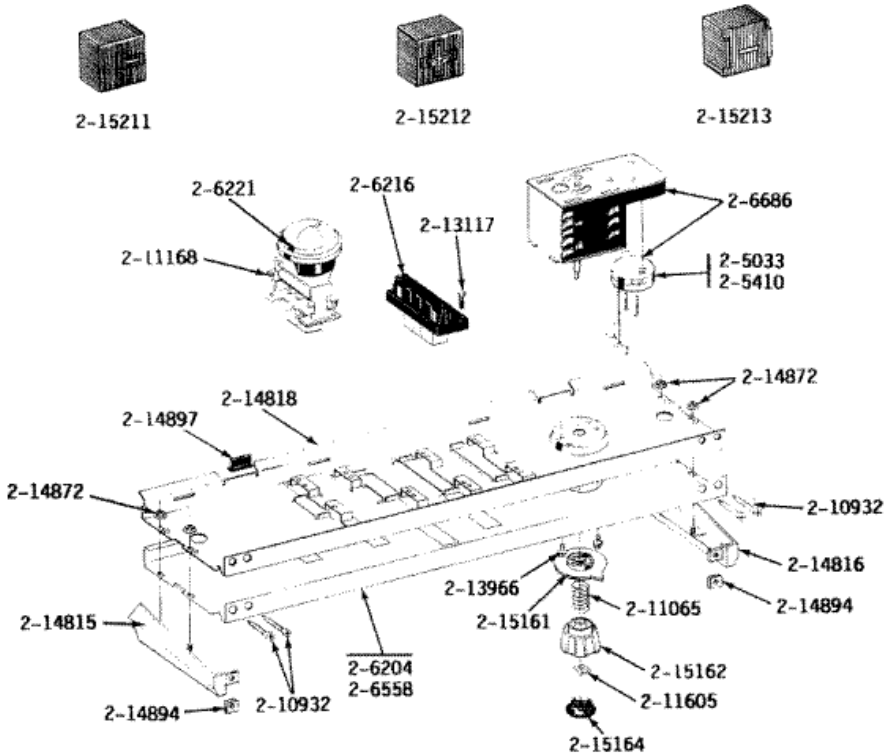
1	38315	<b>DESCONTINUADO</b>
2	Y053241	SET SCREW, PULLEY <b>(S/P)</b>
3	22003441	BALL BEARING, RADIAL
4	2-816	PULLEY, MOTOR (W/SET SCREW)
5	2-835	BEARING, BRAKE ROTOR
6	2-1190	ROTOR, BRAKE (W/FACING)
7	2-1190	BRAKE ASSEMBLY
8	211000	SCREW, HEX HEAD (BRAKE DRUM) <b>(S/P)</b>
9	211038	<b>DESCONTINUADO</b>
10	2-1190	RETAINER, BRAKE SPRING
11	2-1190	SPRING, BRAKE
12	2-1190	GASKET, BRAKE DRUM
13	2-1190	DRUM, BRAKE
14	2-1190	HOUSING, BRAKE
15	22002429	PULLEY, DRIVE
16	211089	LUG, STOP
17	22003555	WASHER, LOCK
18	2-11124	V BELT, PUMP
19	2-11125	V BELT, DRIVE PULLEY
20	2-11375	SCREW, STOP LUG(CENTER SHAFT)
21	213325	CLIP, RETAINER
22	213326	SCREW, RETAINING CLIP <b>(S/P)</b>



**LA112 TABLERO**



A112





## LA112 TABLERO

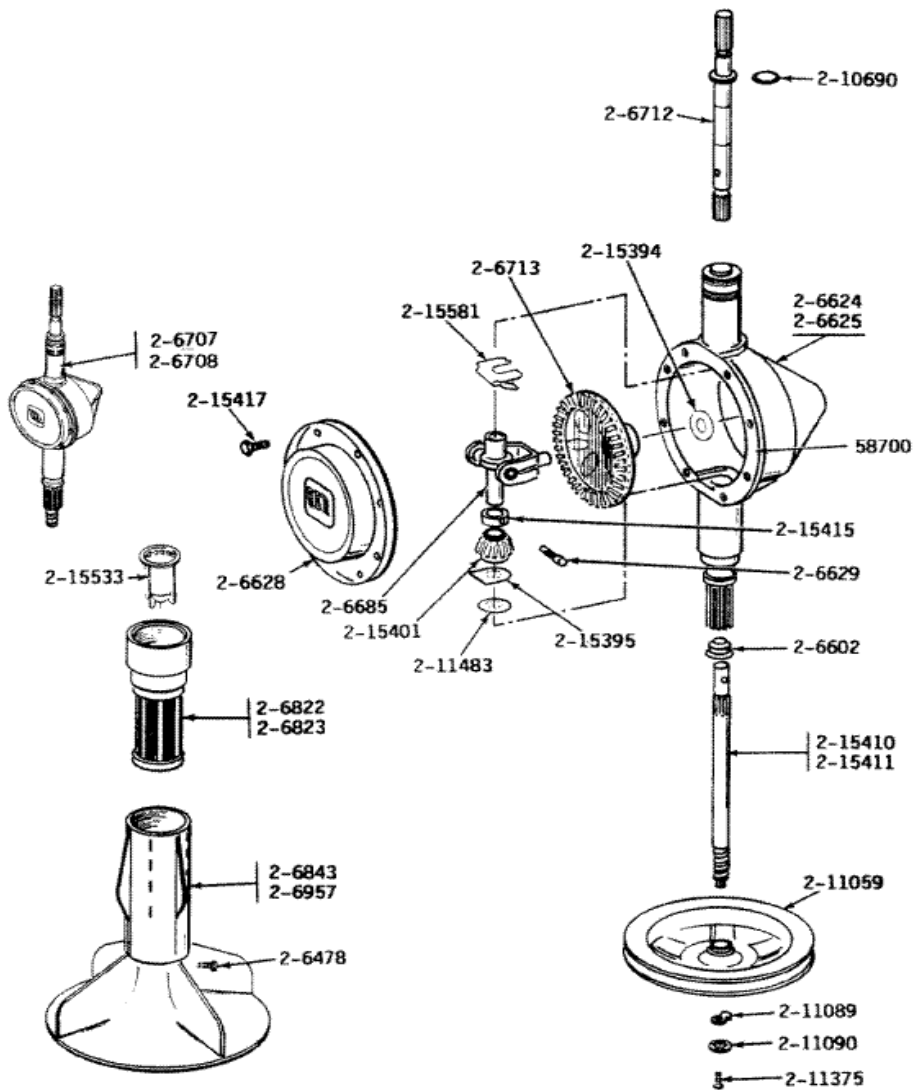
1	22205033	TIMER MOTOR 120-60 (S/P)
2	205410	<b>DESCONTINUADO</b>
3	206204	CONTROL PANEL (S/P)
4	206216	WATER TEMPERATURE SWITCH
5	206221	<b>DESCONTINUADO</b>
6	206558	CONTROL PANEL (S/P)
7	206686	TIMER
8	210932	SCREW, No.8 X 9/16 CTSK (S/P)
9	2-11065	SPRING, TIMER KNOB
10	211168	SCREW, No.8 X 5/16 INCH (S/P)
11	211605	RETAINER, TIMER KNOB
12	213117	SCREW-TEMP. SWITCH TO PANEL (S/P)
13	213966	SCREW-TIMER TO CONTROL PANE (S/P)
14	214815	END CAP F/CONTROL PANEL-LH (S/P)
15	214816	END CAP F/CONTROL PANEL-RH (S/P)
16	214818	BACK UP PLATE (S/P)
17	214872	PALNUT, END CAP (S/P)
18	214894	FASTENER, END CAP (S/P)
19	214897	PAD, CONTROL PANEL (S/P)
20	22001571	TIMER DIAL INDICATOR
21	215162	TIMER KNOB
22	215164	CAP FOR KNOB

Distribuidor Autorizado

SurteRápido.com

Venta de Refacciones  
Electrodomesticas

# LA112 TRANSMISION

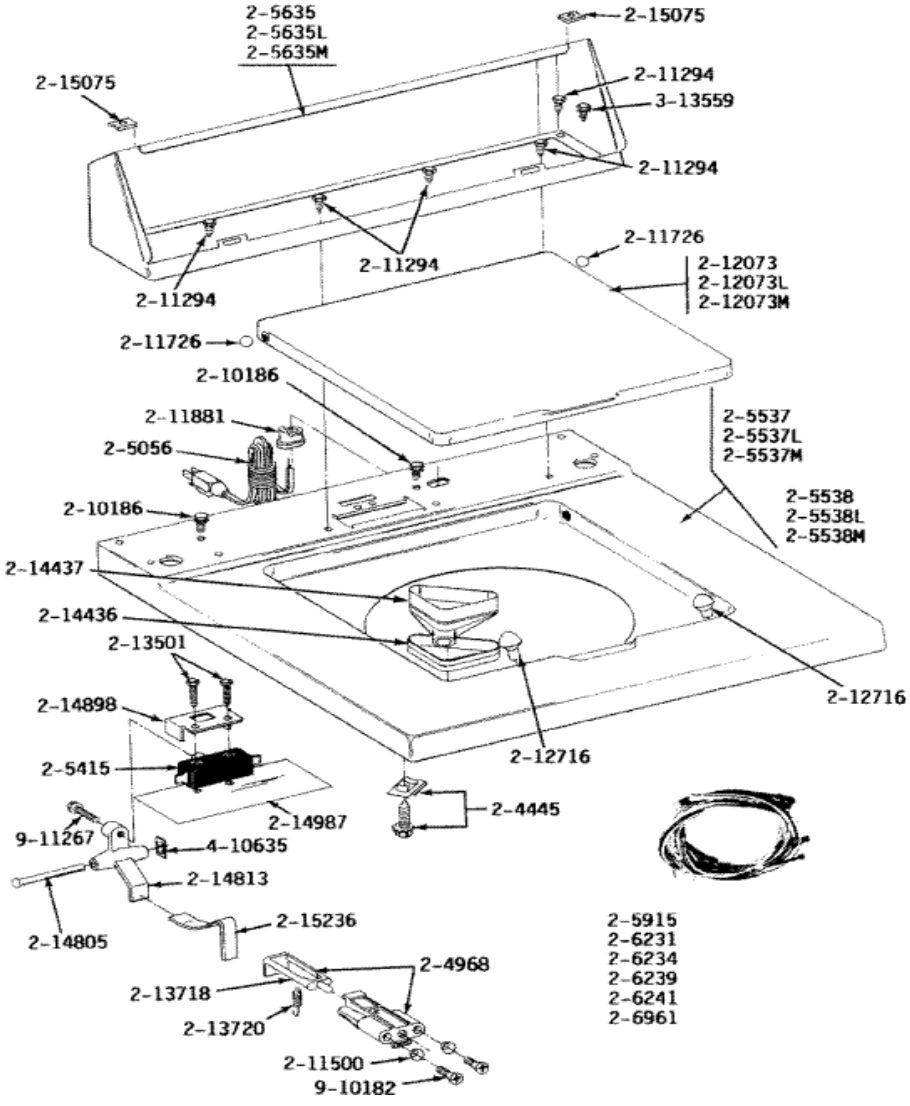




## LA112 TRANSMISION

1	Y058700	SILASTIC, ADH.SEALANT <b>(S/P)</b>
2	206478	SCREW & WASHER FOR AGITATOR
3	207843	SEAL, LIP (CENTER SHAFT)
5	22002127	HOUSING, TRANSMISSION
6	206628	COVER, TRANSMISSION <b>(S/P)</b>
7	206629	PIN, COLLAR
8	206685	BLOCK, TORQUE AND YOKE ASSEMBL
10	22002127	TRANSMISSION
11	22002132	ASSEMBLY, AGITATOR SHAFT
12	206713	GEAR, BEVEL
14	206823	LINT FILTER – DISPENSER <b>(S/P)</b>
15	207538	AGITATOR W/LOCK SCREW/O-RIN <b>(S/P)</b>
17	210690	SEAL, RUBBER
18	22002429	PULLEY, DRIVE
19	211089	LUG, STOP
20	22003555	WASHER, LOCK
21	2-11375	SCREW, STOP LUG(CENTER SHAFT)
22	211483	WASHER, SPLINED
23	215394	WASHER, BEVEL GEAR <b>(S/P)</b>
24	215395	PLATE, CLUTCH
25	215401	PINION
27	12001451	SHAFT, CENTER <b>(S/P)</b>
28	215415	<b>DESCONTINUADO</b>
29	215417	SCREW, TRANSMISSION COVER <b>(S/P)</b>
30	215733	DISPENSER CUP <b>(S/P)</b>
31	215581	SPRING, AGITATOR SHAFT

**LA112 CUBIERTA**

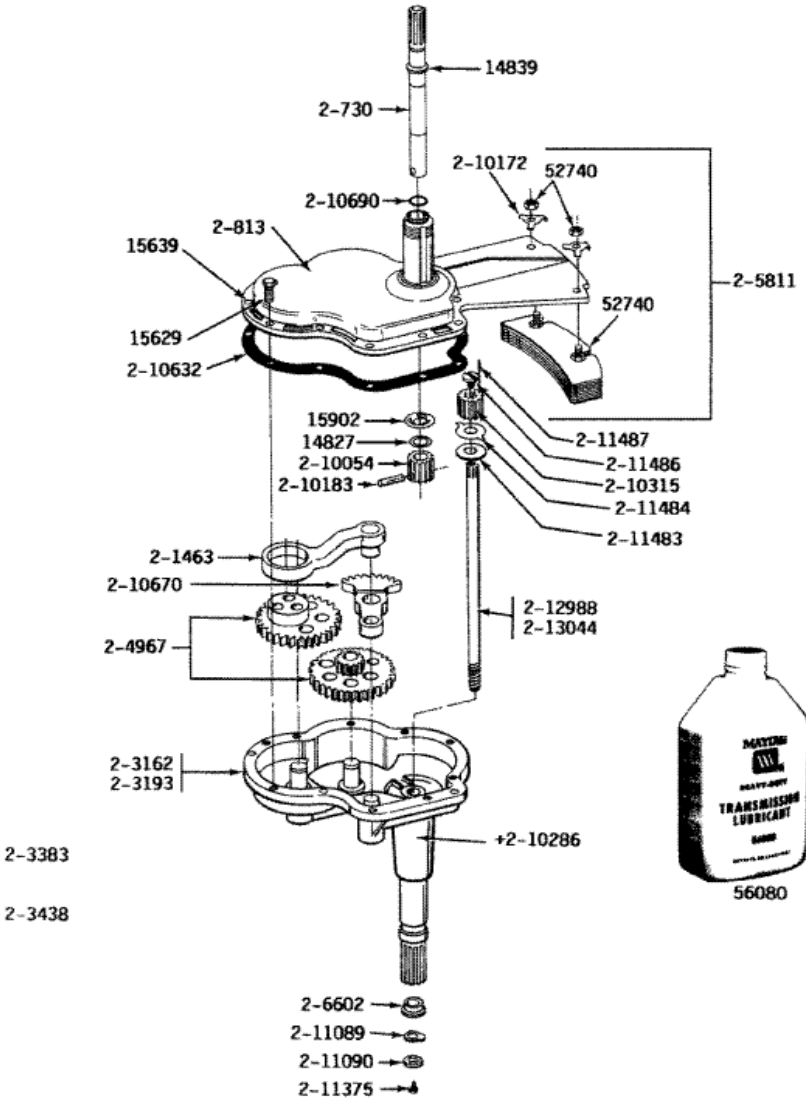




## LA112 CUBIERTA

1	Y201808	CONVERTER (S/P)
2	204445	SCREW & FASTENER ASY. (S/P)
3	204968	PLUNGER & BRACKET ASSEMBLY (S/P)
4	204590	CORD, POWER (S/P)
5	279347	SWITCH, LID (W/O TUB LIGHT) (S/P)
9	205538L	<b>DESCONTINUADO</b>
11	205635L	<b>DESCONTINUADO</b>
13	205997	NON-BLEACH CONVERSION KIT (S/P)
16	206239	<b>DESCONTINUADO</b>
19	210186	<b>DESCONTINUADO</b>
20	211294	SCREW (S/P)
21	211500	WASHER, BRACKE TO TOP COVER (S/P)
22	211726	HINGE, BALL (S/P)
23	211737	WIRE CONNECTOR (S/P)
24	211881	GROMMET, CORD (S/P)
26	212073L	<b>DESCONTINUADO</b>
27	212716	BUMPER, LID (S/P)
28	213501	SCREW, No.6-20 X 1-1/8 INCH (S/P)
29	213718	LID SWITCH PLUNGER (S/P)
30	213720	SPRING (S/P)
32	214805	PIN FOR UNBALANCE LEVER (S/P)
33	214813	<b>DESCONTINUADO</b>
34	214898	COVER FOR LID SWITCH (S/P)
35	214987	MOISTURE BARRIER FOR SWITCH (S/P)
36	215075	FASTENER, CNTRL PNL TO CONSOLE (S/P)
37	214804	UNBALANCE LEVER (S/P)
39	215578	BLEACH INLET ALMOND (S/P)
41	215580	CUP, BLEACH (ALM.) (S/P)
42	301548	CLAMP, GROUND (W/SCREW) (S/P)
43	311155	GROUND WIRE (S/P)
44	Y312140	WIRE CONNECTOR (S/P)
46	410635	FASTENER (S/P)

**LA112 TRANSMISION**





## LA112 TRANSMISION

1	Y014827	WASHER-CENTER SHAFT (S/P)
2	Y014839	COLLAR-DRIVE SHAFT (S/P)
3	Y015629	BOLT, GRINDING CHAMBER-DRAI (S/P)
4	15639	DOWEL PIN (S/P)
5	Y015902	SPRING FOR AGITATOR (S/P)
6	Y052740	NUT (S/P)
7	Y056080	TRANS LUBE - AUTO, 34 OZ. (S/P)
8	22002124	AGITATOR SHAFT (S/P)
9	200813	<b>DESCONTINUADO</b>
10	201463	<b>DESCONTINUADO</b>
11	203162	GEAR HOUSING W/STUDS & TUBE (S/P)
13	22002130	TRANS & CENTER ASSM. REG TU (S/P)
15	204967	GEAR KIT-POWER FIN AGITATOR
16	205811	COUNTERWEIGHT (S/P)
17	207843	SEAL, LIP (CENTER SHAFT)
18	210054	PINION (S/P)
19	210172	LOCK WASHER (S/P)
20	210183	GROOV-PIN, 1/4 X 1-1/4
21	2-10286	SEAL
22	210315	PINION
23	22210632	GASKET
24	210670	SEGMENT
25	210690	SEAL, RUBBER
26	211089	LUG, STOP
27	22003555	WASHER, LOCK
28	2-11375	SCREW, STOP LUG(CENTER SHAFT)
29	211483	WASHER, SPLINED
30	211484	LUG WASHER
31	211486	SCREW, 3/8-16 X 1/2 INCH
32	211487	GROOV-PIN (S/P)
33	212988	CENTER SHAFT (S/P)

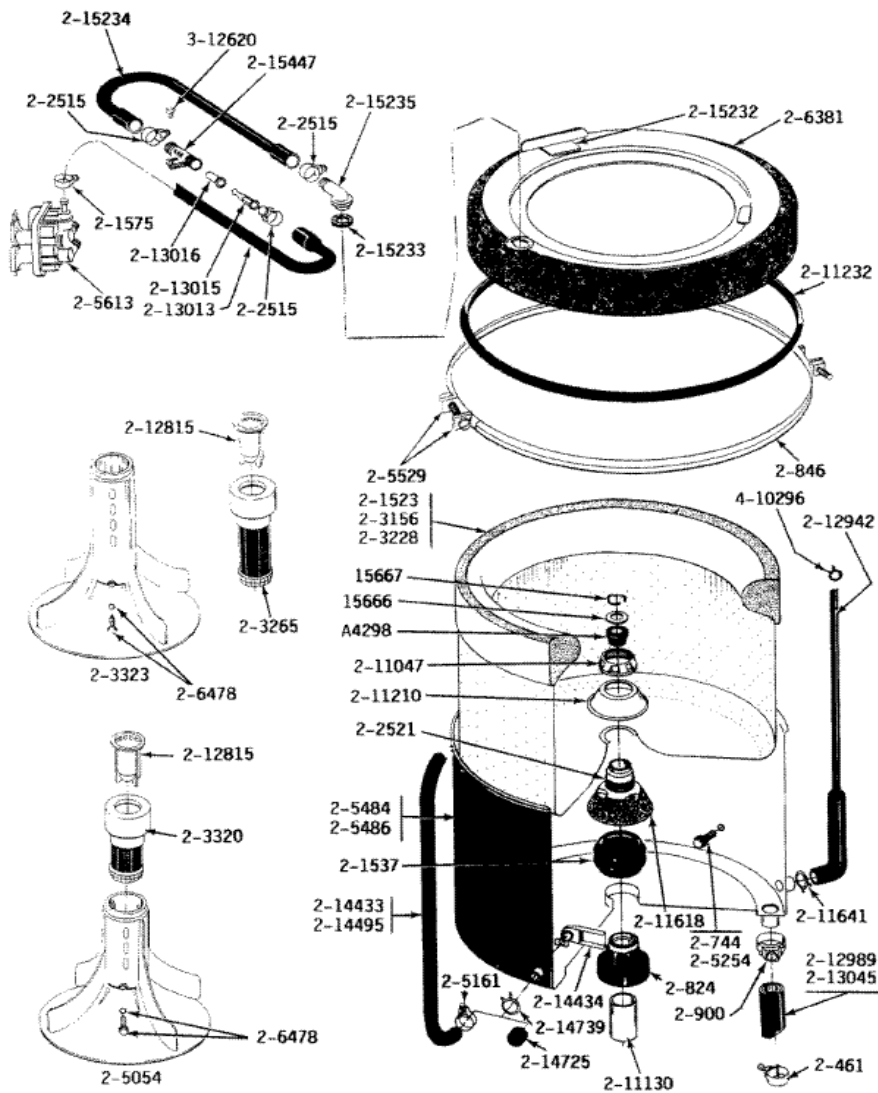


Distribuidor Autorizado

SurteRápido.com

Venta de Refacciones  
Electrodomesticas

# LA112 TINA





## LA112 TINA

1	A4298	SEAL, AGITATOR DRIVE SHAFT
2	Y015666	WASHER, RETAINING(CENTER SEAL) <b>(S/P)</b>
3	Y015667	RETAINING RING <b>(S/P)</b>
4	Y054867	WASHER, LOCK <b>(S/P)</b>
5	200744	BOLT & GASKET ASSY.(SHORT) <b>(S/P)</b>
6	2-4013	BEARING, TUB
7	2-846	CLAMP - TUB COVER
8	200900	CLAMP, SPRAY ARM HOSE <b>(S/P)</b>
9	207830	<b>DESCONTINUADO</b>
10	22204012	SEAL AND SPRING
11	201575	HOSE CLAMP <b>(S/P)</b>
12	202515	HOSE CLAMP - 1-1/16 INCH <b>(S/P)</b>
13	22204012	MOUNTING STEM
17	2-3320	LINT FILTER – DISPENSER
19	22204012	MOUNTING STEM REPAIR KIT
20	2-4013	TUB BEARING REPAIR KIT
21	205054	AGITATOR
22	205161	CLAMP - 15/16`` <b>(S/P)</b>
23	205254	BOLT & GASKET ASSEMBLY (LONG) <b>(S/P)</b>
25	205486	TUB, OUTER <b>(S/P)</b>
26	205529	NUT & BOLT KIT FOR TUB CLAM
27	2-5613	WATER VALVE
28	206380	<b>DESCONTINUADO</b>
29	206478	SCREW & WASHER FOR AGITATOR
30	206680	INJECTOR HOSE KIT
31	2-11047	NUT, CLAMPING (INNER TUB)
32	211100	WASHER, CUSHION <b>(S/P)</b>
33	2-11130	LINER, TUB BEARING
34	211210	WASHER, CLAMPING NUT(STAINLESS) <b>(S/P)</b>
35	2-11232	SEAL
36	211618	SET SCREW, MTG. STEM <b>(S/P)</b>
37	211641	CLAMP, 1-1/16`` <b>(S/P)</b>
38	2-12815	<b>DESCONTINUADO</b>

39	22001619	AIR DOME AND TUBE
40	2-12989	HOSE, OUTER TUB TO PUMP
41	2-13013	HOSE, INJECTOR
42	2-13015	INJECTOR NOZZLE
43	216201	VALVE FOR INJECTOR SUB
45	22213057	SLEEVE FOR INJECTOR
46	214725	CAP FOR SPOUT-OUTER TUB <b>(S/P)</b>
47	214739	SPRING HOSE CLAMP <b>(S/P)</b>
48	214875	SPRING CLAMP FOR HOSE <b>(S/P)</b>
49	215232	UNBALANCE BUMPER <b>(S/P)</b>
50	2-15233	SEAL FOR INJECTOR TUBE
51	2-15234	INJECTOR FILL HOSE
52	2-15235	INJECTOR TUBE
53	215447	SLEEVE FOR INJECTOR <b>(S/P)</b>
54	Y310632	SCREW <b>(S/P)</b>
55	312620	SEMS SCREW, No.10-16 X 1/2`` <b>(S/P)</b>
56	410296	CLAMP, WATER LEVEL SWTCH TUBE <b>(S/P)</b>