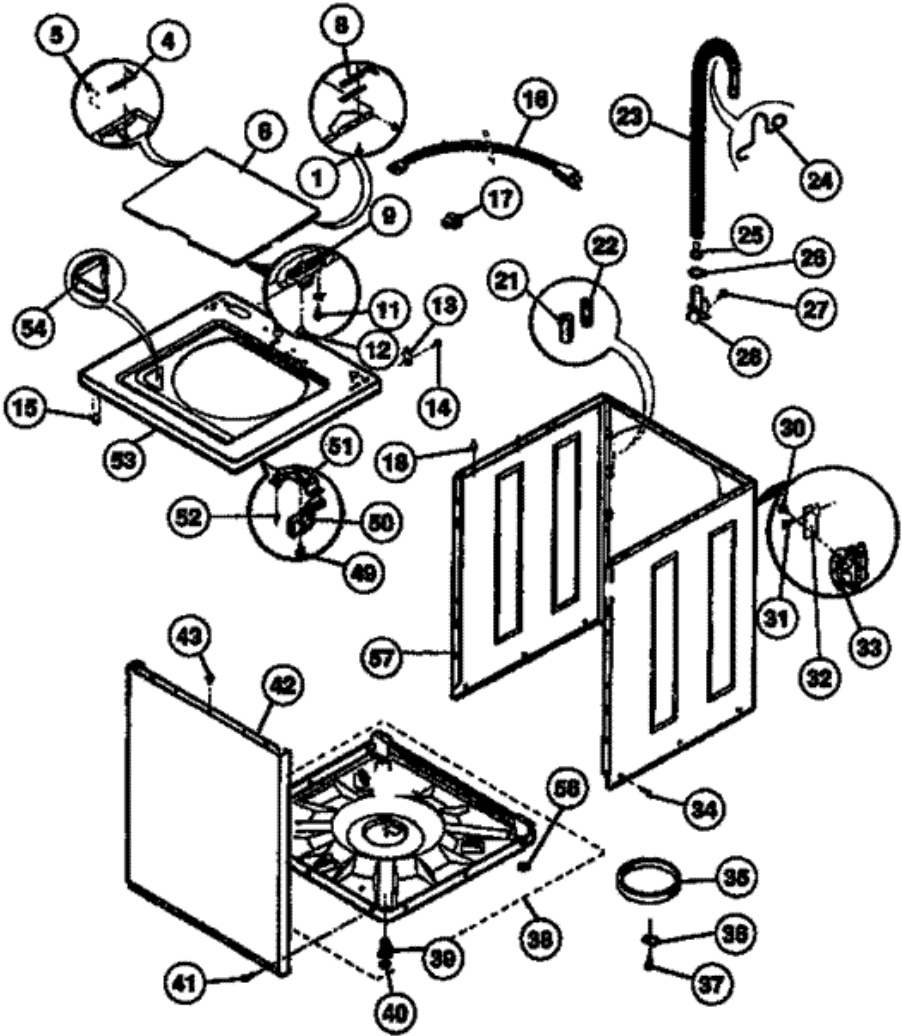


Distribuidor Autorizado

SurteRápido.com

Venta de Refacciones
Electrodomesticas

LA450AXD2 GABINETE





LA450AXD2 GABINETE

1	5303211089	SCREW (4) (S/P)
4	131374250	HINGE BAR LH
5	5303208743	GROMMET (S/P)
6	5303210307	LID - ALMOND (S/P)
8	131385950	HINGE BAR – RH
9	131390000	LID STRIKE
11	3204368	SCREW (S/P)
12	134075500	BUMPER
13	5303208751	HINGE
14	5308057419	SCREW (S/P)
15	3205821	CLIP (S/P)
16	134501000	SERVICE CORD (S/P)
17	5303209428	BUSHING (S/P)
18	3204373	LOCATING PIN (S/P)
21	131212302	CAPACITOR DESCONTINUADO
22	5303161252	BRACKET – CAPACITOR DESCONTINUADO
23	131210200	DRAIN HOSE
24	5303204987	RETAINER (S/P)
25	3204375	CHECK VALVE
26	5364154013	CLAMP (S/P)
27	5308006553	SCREW (S/P)
28	3204376	COUPLER
30	5303010202	SCREW (S/P)
31	5303015671	SCREW (S/P)
32	3204378	BRACKET DESCONTINUADO
33	134190200	VALVE – WATER
34	131205500	SCREW
35	5308002385	SNUBBER RING
36	3204380	SHIPPING BLOCK (S/P)
37	131102900	SHIPPING SCREW (S/P)
38	5303311213	BASE
39	5303309673	LEVELING LEG & PAD
40	131422100	PAD – LEG

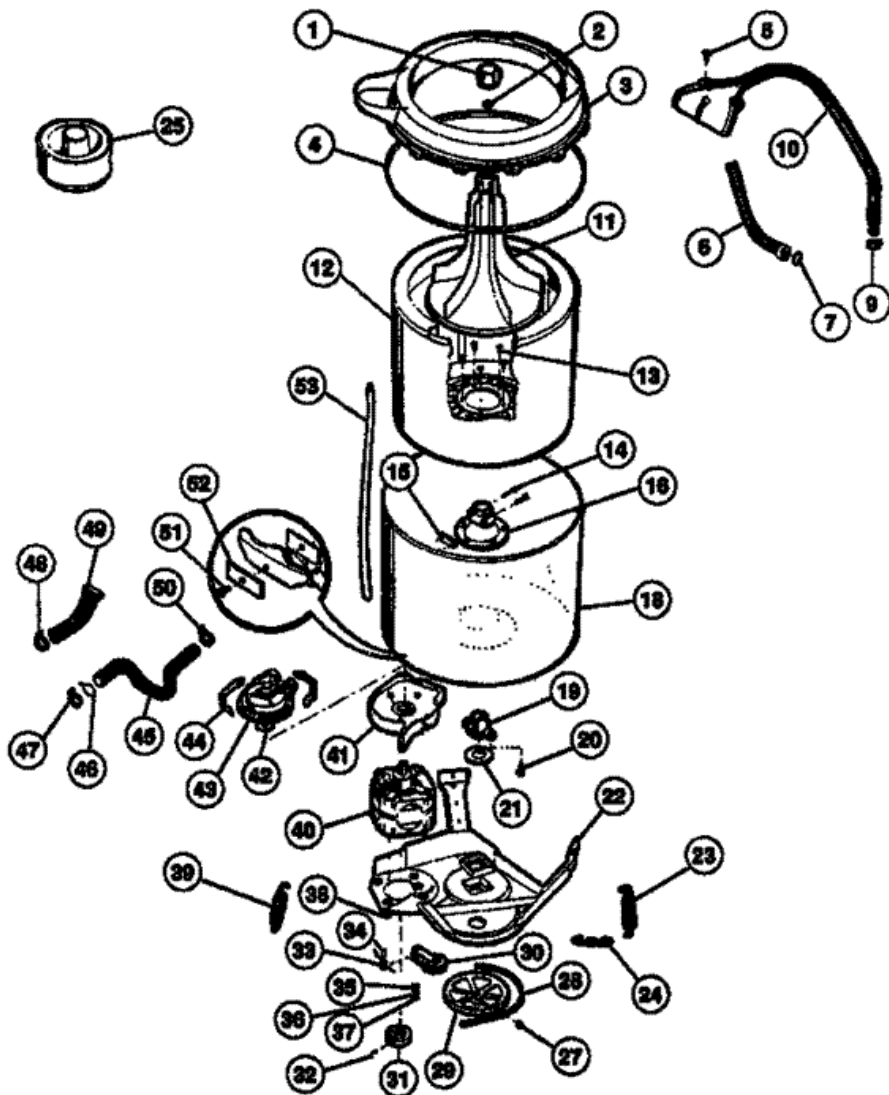
41	3205406	SCREW (S/P)
42	131104305	PANEL FRONT - ALMOND DESCONTINUADO
43	3204373	LOCATING PIN (S/P)
49	8001689	SCREW (S/P)
50	134101800	LID LOCK
51	134101800	BRACKET
52	8002420	RIVET (S/P)
53	5303937106	PANEL TOP - ALMOND (S/P)
54	5303208778	BLEACH DISPENSER (S/P)
56	131422200	PAD - LEG (S/P)
57	134046600	BODY - ALMOND (S/P)

Distribuidor Autorizado

SurteRápido.com

Venta de Refacciones
Electrodomesticas

LA450AXD2 TINAS





LA450AXD2 TINAS

1	5303208779	CAP - AGITATOR
2	3204396	SEAL – CAP
3	131398303	COVER - SPLASH TUB
4	131901400	GASKET
5	5308015309	SCREW (S/P)
6	5303271009	HOSE - INLET (2) (S/P)
7	5303161296	WASHER (4) (S/P)
9	5303012110	CLAMP (S/P)
10	131726300	NOZZLE & HOSE
11	5303937150	AGITATOR (3204401)
12	131370400	SPIN TUB
13	5303283293	SCREW
14	131192800	SCREW
15	5308001923	LOCKPLATE
16	131545101	TRUNNION
18	131557200	SPLASH TUB & BEARING (S/P)
19	3204405	BEARING - UPPER SPIN
20	3205150	SCREW (S/P)
21	5308002401	WASHER (S/P)
22	131373610	LEG & DOME ASSEMBLY
23	5303208858	SPRING - VERTICAL – SHORT
24	131373900	SPRING – HORIZONTAL
25	3205405	FABRIC DISPENSER
27	5303270023	SCREW (S/P)
28	131686100	BELT
29	131498300	PULLEY – TRANSMISSION
30	131862900	IDLER ARM ASSEMBLY
31	3204423	PULLEY – MOTOR
32	3204424	ROLL PIN (S/P)
33	3204425	SPRING TORSION
34	3204426	SLEEVE - IDLER PIVOT
35	3161433	RETAINING RING
36	5303261031	WASHER - PIVOT SHAFT

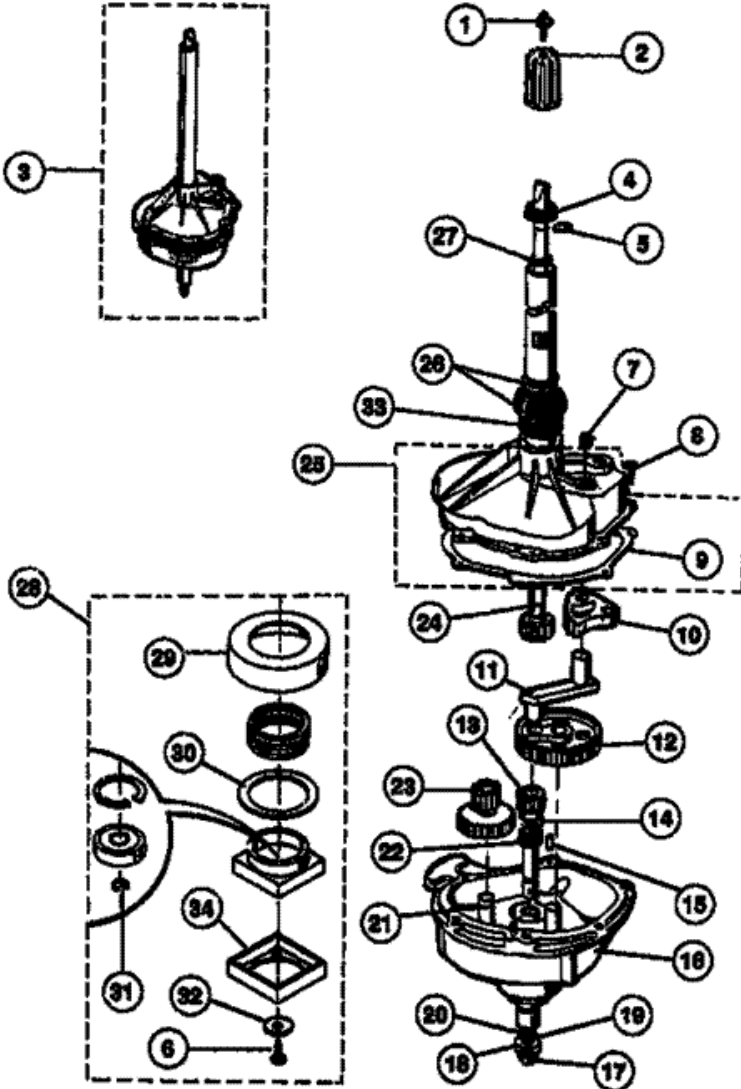
37	5303161306	SPRING WASHER
38	5303283079	HEX NUT (4) DESCONTINUADO
39	5303208860	SPRING - VERTICAL (2)
40	5303284905	MOTOR DESCONTINUADO
40	3205647	MOTOR DESCONTINUADO
41	5303211074	SHIELD – MOTOR
42	3204451	SLINGER – PUMP
43	5303272432	PUMP
44	3204453	CLIP – PUMP
45	3204454	HOSE - PUMP TO COUPLER
46	3204455	CLIP - HOSE TO LEG (S/P)
47	3204456	CLAMP (S/P)
48	3204457	CLAMP (S/P)
49	131146800	HOSE - PUMP TO TUB
50	3204456	CLAMP (S/P)
51	3204459	SCREW (S/P)
52	3204460	PLATE - LEG BOLT (S/P)
53	5303294290	PRESSURE TUBE (S/P)
40A	5303293588	SWITCH - MOTOR

Distribuidor Autorizado

SurteRápido.com

Venta de Refacciones
Electrodomesticas

LA450AXD2 TRANSMISION





LA450AXD2 TRANSMISION

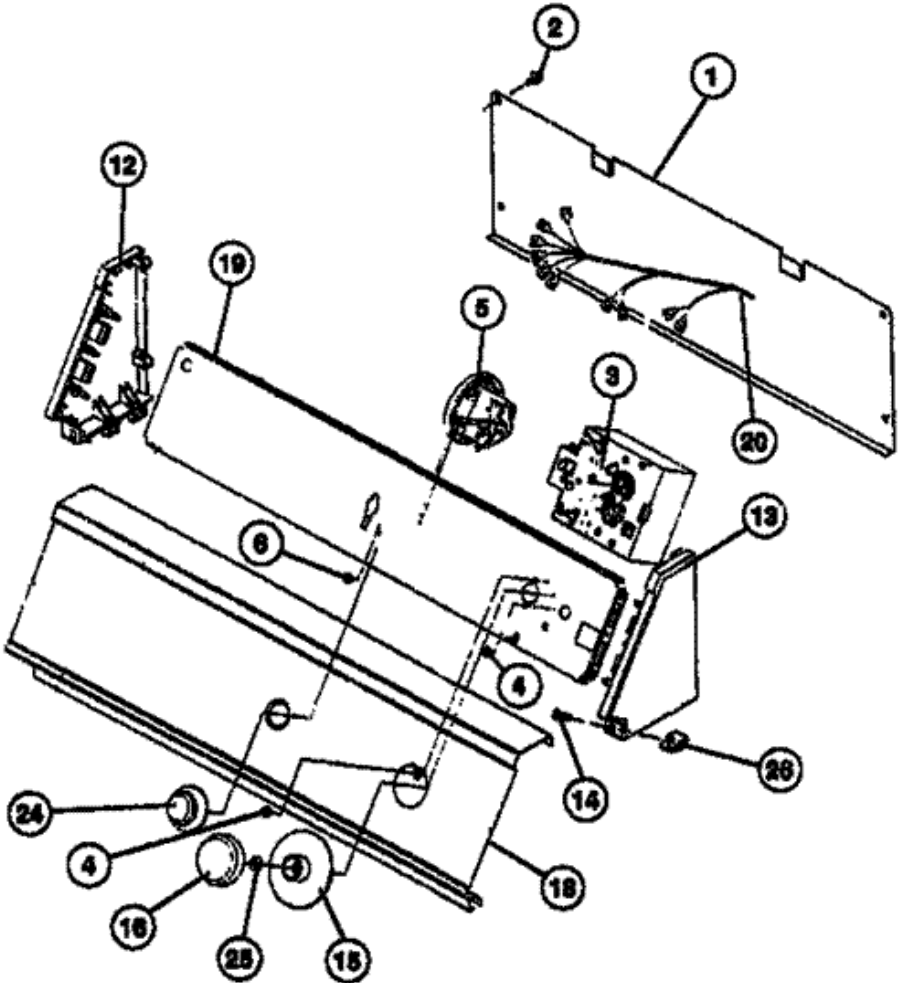
1	3204461	CAP STUD (S/P)
2	134418700	DRIVE HUB
3	134588800	TRANSMISSION COMPLETE
4	5303161307	UPPER LIP SEAL
5	5303161223	RETAINING RING
7	5303161224	PIPE PLUG (S/P)
8	8002804	SCREW (S/P)
9	5308015778	GASKET
10	5308011268	SECTOR GEAR
11	131632701	CONNECTING ROD
12	5308015496	CRANK GEAR
13	5308014905	LOWER SHAFT ASSEMBLY DESCONTINUADO
14	5303161226	THRUST WASHER (S/P)
15	5303161227	DOWEL PIN DESCONTINUADO
16	5303912535	HOUSING - LOWER DESCONTINUADO
17	5303161223	RETAINING RING
18	5308002475	SPACER WASHER (S/P)
19	5303161226	THRUST WASHER (S/P)
20	5303161173	LOWER LIP SEAL
21	3005242	OIL - TRANSMISSION (1 QT) (S/P)
22	5303161174	SPRING - SMALL L.G.S.
23	5303161175	IDLER GEAR
24	5308015507	SHAFT - AGITATOR
25	131878300	HOUSING - UPPER (S/P)
26	5308950197	TUB SEAL
27	5303161232	THRUST WASHER DESCONTINUADO
28	5304412079	HOUSING - BEARING DESCONTINUADO
29	5303161182	SLEEVE - CLUTCH COIL (S/P)
30	5308057430	WASHER - CLUTCH COIL (S/P)
31	5308015536	RETAINING RING (S/P)
32	5303207426	SPACER (S/P)
33	5303272073	SLINGER
34	5377009100	CUSHION DESCONTINUADO

Distribuidor Autorizado

SurteRápido.com

Venta de Refacciones
Electrodomesticas

LA450AXD2 TABLERO





LA450AXD2 TABLERO

1	3205898	BACKSHEET (S/P)
2	131052100	SCREW (S/P)
3	5303271764	TIMER
4	3161188	SCREW (S/P)
5	131047500	SWITCH – PRESSURE
6	5303015671	SCREW (S/P)
12	5303291344	END CAP - L.H.
13	5303291352	END CAP - R.H.
14	5303289526	SCREW DESCONTINUADO
15	131118500	DIAL
16	131118400	KNOB – TIMER
18	131108300	PANEL - CONTROL DESCONTINUADO
19	131157806	BRACKET - CONTROL (S/P)
20	131166000	HARNES DESCONTINUADO
24	131118600	KNOB – ROTARY
25	5308015493	SPACER - TIMER SHAFT (S/P)
26	5300503065	CLIP (S/P)