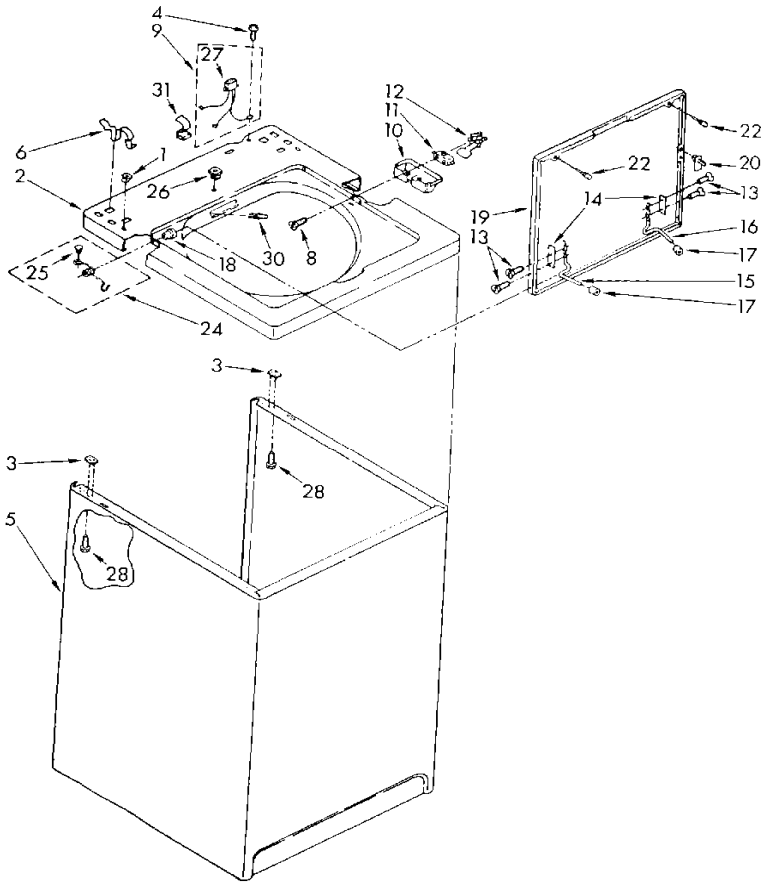


LA5400XTF0 GABINETE





LA5400XTF0 GABINETE

1	358473	NUT, PUSH-IN (2) (S/P)
2	388476	TOP (PLATINUM) (S/P)
2	388477	DESCONTINUADO
2	388473	TOP (WHITE) (S/P)
2	388474	TOP (ALMOND) (S/P)
2	388475	TOP (TOAST) (S/P)
3	62750	SPACER, CABINET TO TOP (4) (S/P)
4	687128	SCREW, 10-16 X 1/2 (S/P)
5	63128	CABINET (WHITE) (S/P)
5	63129	CABINET (ALMOND) (S/P)
5	63132	CABINET (GOLDEN HARVEST) (S/P)
5	386617	CABINET (TOAST) (S/P)
5	386618	CABINET (PLATINUM) (S/P)
6	62780	CLIP, TOP & CABINET & REAR PANEL (2)
8	354764	SCREW & WASHER, LID SWITCH (2) (S/P)
9	63833	DESCONTINUADO
10	359231	SHIELD, LID SWITCH (S/P)
11	279347	SWITCH, LID (ALT.)
12	350733	ACTUATOR, LID SWITCH
13	18724	SCREW, LID HINGE MOUNTING (4) (S/P)
14	21097	PAD, LID HINGE (2) (S/P)
15	54584	HINGE, LID (L.H.) (S/P)
16	54583	HINGE, LID (R.H.) (S/P)
17	19119	BUMPER, LID HINGE (S/P)
18	21258	BEARING, LID HINGE (2) (S/P)
19	3957563	LID (WHITE) (S/P)
19	3957564	LID (ALMOND) (S/P)
19	285888	LID (PLATINUM) (S/P)
19	388458	LID (TOAST) (S/P)
19	285881	LID (GOLDEN HARVEST) (S/P)
20	358684	STRIKE, LID SWITCH

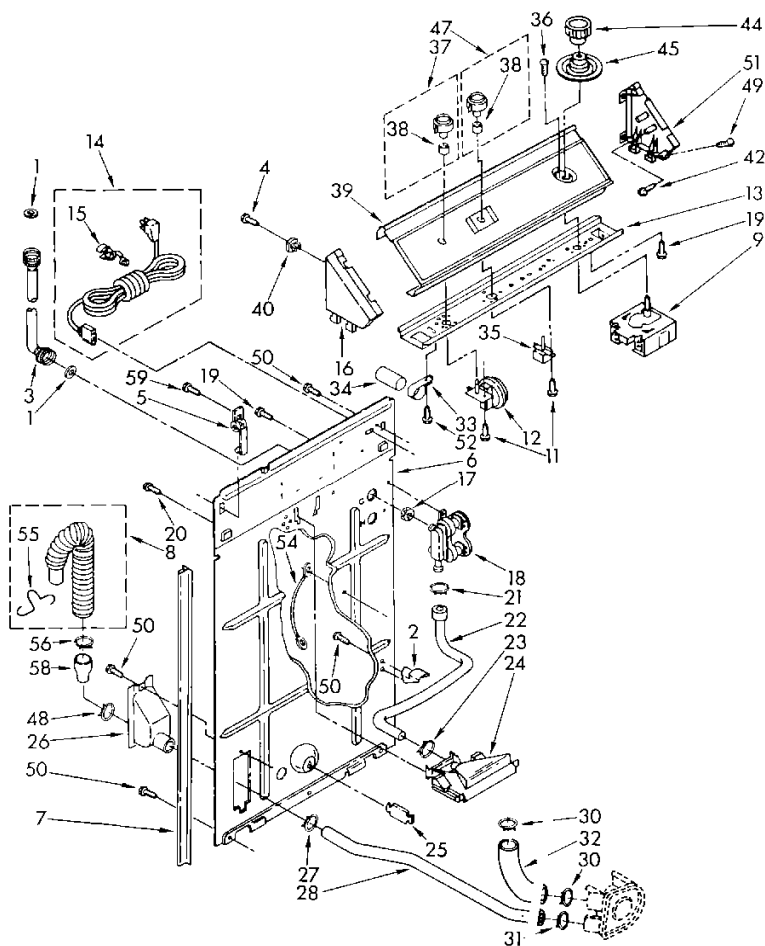
22	93770	BUMPER, LID (2)
24	3349948	SPRING & BUTTON, LID (S/P)
25	54690	PLUG, BUTTON (S/P)
26	358472	DESCONTINUADO
27	62888	DESCONTINUADO
28	384435	SCREW, 10-16 X 1/2 (4) (S/P)
30	354239	RIVET, SERIAL NAMEPLATE (S/P)
31	90016	CLIP, HARNESS (S/P)

Distribuidor Autorizado

SurteRápido.com

Venta de Refacciones
Electrodomesticas

LA5400XTF0 TABLERO



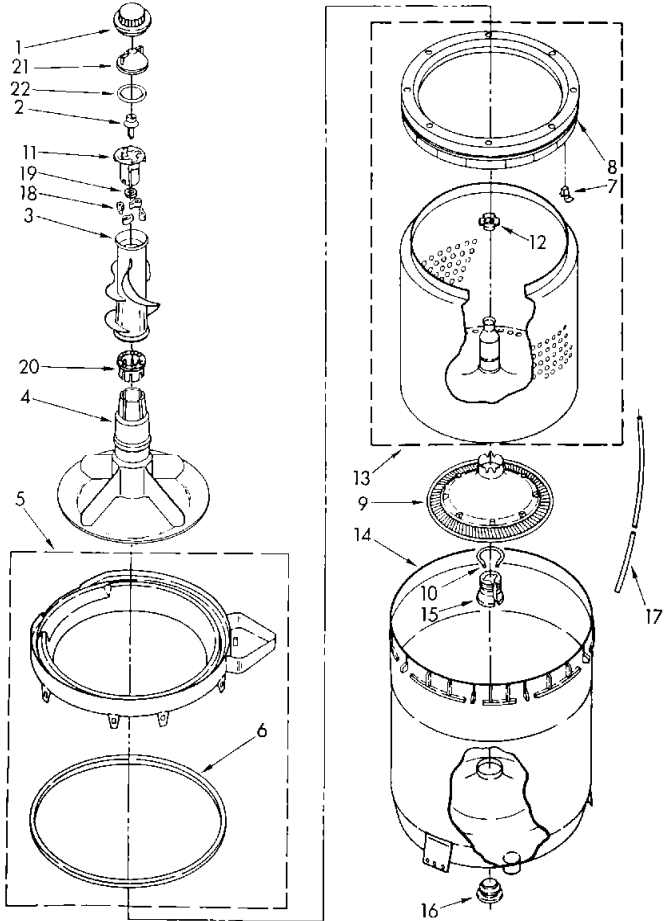


LA5400XTF0 TABLERO

1	16123	WASHER, WATER INLET HOSE (4) (1-1/16 X 5/8) (S/P)
2	63162	PIN, CABINET GUIDE (2) (S/P)
3	89503	HOSE, WATER INLET (2) (ALT.)
5	387402	HINGE, CONSOLE (2)
6	388933	PANEL, REAR (S/P)
7	62747	PAD, REAR PANEL (S/P)
8	285664	HOSE, CORRUGATED PLASTIC DRAIN (5-1/2 FT.)
8	285666	HOSE, CORRUGATED PLASTIC DRAIN (10 FT.) (S/P)
9	285952	TIMER, CONTROL (60 HZ.)
12	63835	SWITCH, WATER LEVEL
13	3349560	BRACKET, CONTROL (S/P)
14	285800	CORD, POWER (S/P)
15	285777	STRAIN RELIEF, POWER CORD (S/P)
16	285653	CAP, END (L.H.)
18	285805	VALVE, WATER MIXING
19	90864	SCREW, 10-24 X 3/8 (2) (S/P)
20	359262	SCREW, GROUND (10-16 X 1/2) (S/P)
21	596669	CLAMP, HOSE (ALT.) (S/P)
22	3357328	HOSE, VACUUM BREAK
24	3347034	BREAK, VACUUM
25	8519200	SUPPORT, REAR PANEL
26	3976399	CONNECTOR, DRAIN HOSE
27	356138	CLAMP, HOSE (S/P)
28	3348552	HOSE, PUMP TO DRAIN CONNECTOR
30	371502	CLAMP, HOSE (S/P)
31	285655	CLAMP, HOSE (ALT.) (S/P)
32	285871	HOSE, PUMP TO TUB
33	357030	CLAMP, CAPACITOR (S/P)
34	8572717	CAPACITOR, MOTOR START (S/P)
35	3405157	SWITCH, WATER TEMPERATURE (ALT.)
36	96435	SCREW, TIMER MOUNTING (10-32 X 1) (2) (S/P)

37	386636	KNOB, WATER LEVEL
38	688805	CLIP, CONTROL KNOB (S/P)
39	3348284	PANEL, CONSOLE (S/P)
40	689559	NUT, PUSH-IN (2) (S/P)
42	355326	SCREW, 13-16 X 5/8 (4) (S/P)
44	3349233	KNOB, TIMER
45	64138	DIAL, TIMER
47	386636	KNOB, WATER TEMPERATURA
48	356138	CLAMP, HOSE (S/P)
49	64211	SCREW, 8-18 (2) (PANEL TO TOP) (S/P)
50	62863	SCREW, 10-16 X 3/8 (S/P)
51	285653	CAP, END. (R.H.)
52	343641	SCREW, 10-16 X 1/2 (S/P)
54	303485	WIRE, GROUND (S/P)
55	3350222	RETAINER, DRAIN HOSE
56	616099	CLAMP, HOSE (S/P)
58	384496	COUPLING, HOSE
59	9416643	SCREW, 10-16 X 1/2 (S/P)

LA5400XTF0 TINA

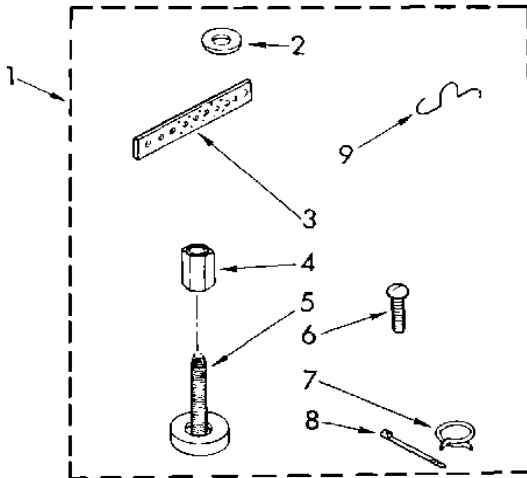




LA5400XTFO TINA

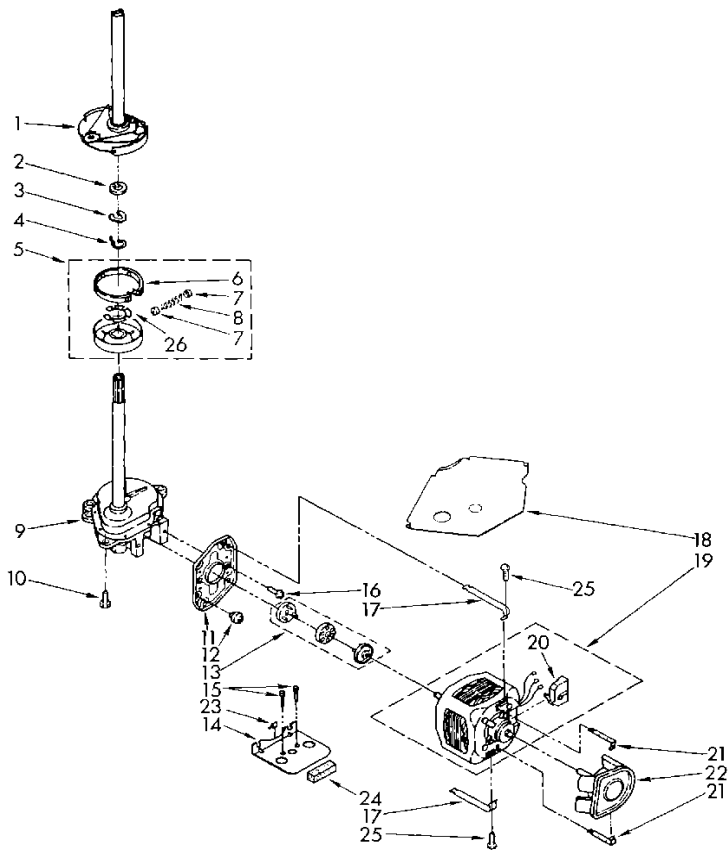
1	3428527	CAP, AGITADOR
2	358237	SCREW & WASHER (5-16-24 X 1)
3	3349019	CLOTHES MOVER
4	3350830	AGITADOR
5	3360611	TUB RING (S/P)
6	3359586	GASKET, TUB RING
7	3956205	BALANCE RING
8	8519815	CLIP, BALANCE RING (8) (S/P)
9	285868	FILTER, PLATE
10	62942	LOCK, FILTER (S/P)
11	285811	CAM DRIVEN
12	21366	NUT, SCANNER
13	3956207	BASKET & BALANCE RING (S/P)
14	63125	TUB
15	389140	BLOCK, BASKET DRIVE
16	383727	GASKET, CENTER POST
17	353244	HOSE, PRESSURE SWITCH
18	387091	DOG, AGITATOR CLUTCH (S/P)
19	357574	SEAL, AGITATOR
20	285587	SPACER, TRUST
21	285551	CAP, BARRIER
22	3348855	SEAL, INNER CAP

LA5400XTF0 PATA



1	285609	MISCELLANEOUS PARTS BAG (S/P)
2	16123	WASHER, INLET HOSE (1-1/16 X 5/8) (4) (S/P)
3	22965	STRAP, GROUND (S/P)
4	62739	NUT, LOCK (2) (3/8-16)
5	389102	FOOT, FRONT (2)
6	132848	SCREW, GROUND (10-24 X 1) (S/P)
7	356138	CLAMP, HOSE (S/P)
8	3347868	CABLE TIE (S/P)
9	3350222	RETAINER, DRAIN HOSE

LA5400XTF0 MOTOR

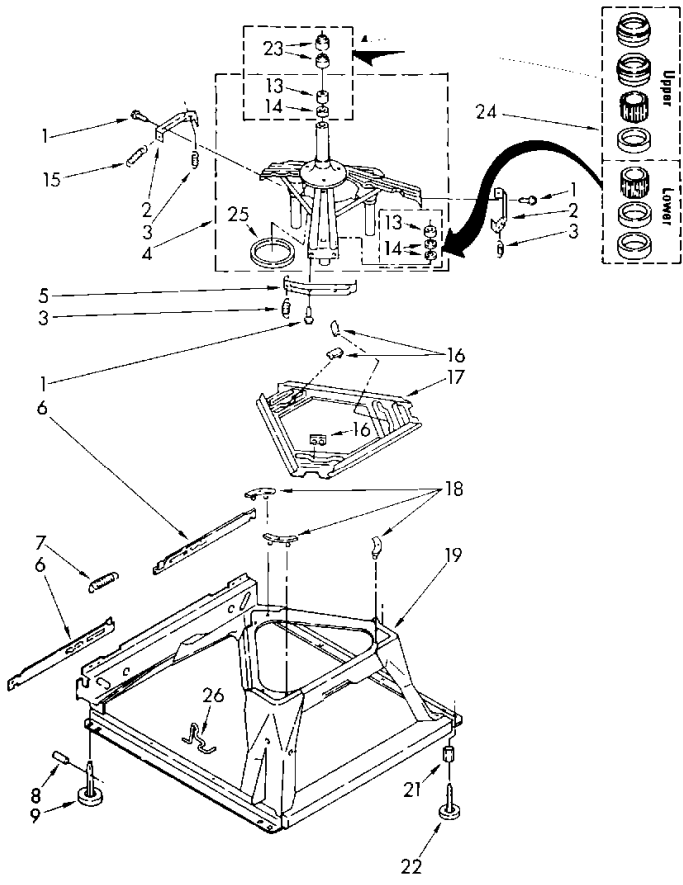




LA5400XTF0 MOTOR

1	285792	BRAKE & DRIVE TUBE (COMPLETE)
2	63292	WASHER, SPIN TUBE THRUST
3	62697	RING, SPIN TUBE SUPPORT
4	285353	RING, RETAINER
5	285785	CLUTCH (COMPLETE)
6	285790	BAND & LINING, CLUTCH (INCLUDES ILLUS. 7 & 8)
7	62646	CAP, CLUTCH SPRING (2) (S/P)
8	285790	SPRING, CLUTCH
9	3360629	GEARCASE (COMPLETE) (S/P)
10	62735	SCREW, GEARCASE TO BASE (3) (5/16-24 X 3/4) (S/P)
11	62611	PLATE, MOTOR MOUNT TO GEARCASE
12	62691	GROMMET, MOTOR (4)
13	285753	COUPLING, MOTOR AND ISOLATION COUPLING
14	3946532	PLATE, MOTOR (S/P)
15	238614	BUMPER (2) (S/P)
16	98062	SCREW, 5/16-24 X 5/8 (2) (S/P)
17	3349637	RETAINER, MOTOR (2)
18	3362089	SHIELD, TUB TO MOTOR (S/P)
19	389248	MOTOR, MAIN DRIVE
20	8529896	SWITCH, MAIN DRIVE MOTOR
21	62700	RETAINER, PUMP (2)
22	3363394	PUMP, COMPLETE
23	3349322	CLIP (S/P)
24	3350013	FOAM (S/P)
25	357640	SCREW (2) 10-16 X 5/8 (S/P)
26	3355454	CLIP (ANTI-RATTLE) (S/P)

LA5400XTF0 BASE

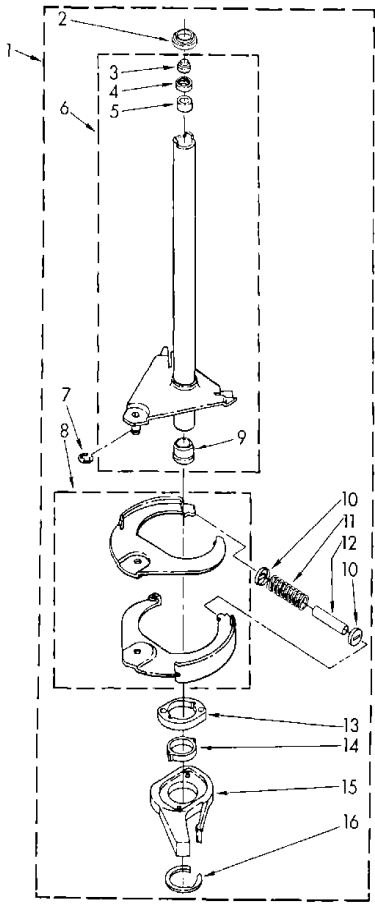




LA5400XTF0 BASE

1	98610	SCREW, BRACKET MOUNTING (S/P)
2	64067	BRACKET, SPRING OUTER (2)
3	63907	SPRING, SUSPENSION (3)
4	280184	SUPPORT & BRAKE, TUB
5	64065	BRACKET, SPRING OUTER (L.F.)
6	63138	LINK, LEVELING MECHANISM (2) (S/P)
7	8316845	SPRING, LEVELING MECHANISM
8	62837	PIN, KNURLED (S/P)
9	285244	FOOT, REAR (2)
13	8546455	BEARING, CENTERPOST (2) (S/P)
14	359449	SEAL, CENTERPOST (3)
15	388492	SPRING, COUNTERWEIGHT
16	285219	PAD, PLATE
17	3946509	PLATE, SUSPENSION (INCLUDES ILLUS. 16)
18	285744	PAD, BASE
19	285459	BASE ASSEMBLY (S/P)
21	62739	NUT, LOCK (3/8-16) (2)
22	389102	FOOT, FRONT (2)
23	91938	SEAL, CENTERPOST (2)
24	285203	CENTERPOST BEARING KIT
25	63134	RING, SOUND DEADENING
26	63806	RETAINER, SUSPENSION SPRING

LA5400XTF0 FLECHA HUECA

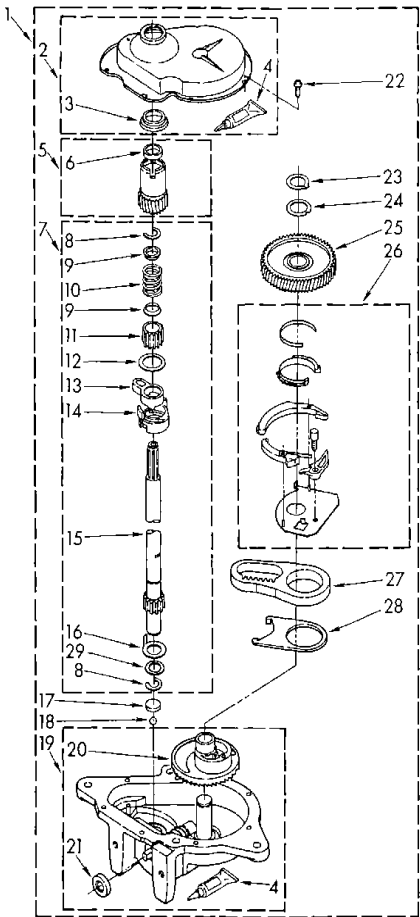




LA5400XTF0 FLECHA HUECA

1	285792	BRAKE AND DRIVE TUBE (COMPLETE)
2	62658	RING, THRUST
3	91939	SEAL, OIL
4	356427	SEAL, DRIVE TUBE
5	356937	SPACER, DRIVE TUBE
6	64208	TUBE, BASKET DRIVE (INCLUDES ILLUS. 3, 4, 5, & 9)
7	64035	RING, RETAINING (S/P)
8	285438	SHOE, BRAKE
9	62703	``T`` BEARING, SPIN TUBE
10	285658	CAP, BRAKE SPRING (2) (S/P)
11	62647	SPRING, BRAKE
12	285658	SLEEVE, BRAKE SPRING (S/P)
13	661516	CAM, BRAKE RELEASE
14	63022	SLEEVE, CAM
15	64194	DRIVER, BRAKE CAM
16	285208	LUBRICANT (USE ONLY IN BRAKE (S/P))
16	90368	RING, RETAINING

LA5400XF0 TRANSMISION





LA5400XTF0 TRANSMISION

1	3360629	GEARCASE (COMPLETE)
2	285202	COVER, GEARCASE (S/P)
3	3349985	SEAL, GEARCASE COVER
4	285195	SEALER, GASKET (.20 FL. OZ.) (6 ML.)
5	63320	PINION, SPIN (INCLUDES ILLUS. 25)
6	356427	SEAL, SPIN PINION
7	389387	SHAFT, AGITATOR (COMPLETE)
8	90369	RING, RETAINING (2)
9	62677	RETAINER, SPRING
10	62676	SPRING, AGITATOR
11	285509	GEAR, AGITATOR
12	62619	WASHER, AGITATOR GEAR (S/P)
13	285206	FOLLOWER, CAM
14	285206	CAM, AGITATOR
15	389231	SHAFT, AGITATOR
16	62618	WASHER, CAM THRUST
17	285205	BEARING, THRUST
18	285205	BALL, BEARING
19	285515	BOTTOM AND PINION, GEARCASE (S/P)
20	285515	GEAR, MAIN DRIVE (S/P)
21	285352	SEAL, THRUST PLUG
22	90864	SCREW, GEARCASE COVER MOUNTING (8) (S/P)
23	285765	RING, RETAINING
24	285735	WASHER KIT, THRUST
25	285362	GEAR, SPIN
26	388253	NEUTRAL ASSEMBLY
27	3949609	RACK, CONNECTING
28	62621	ACTUATOR, SHIFT
29	388815	WASHER, INTERMEDIATE (S/P)