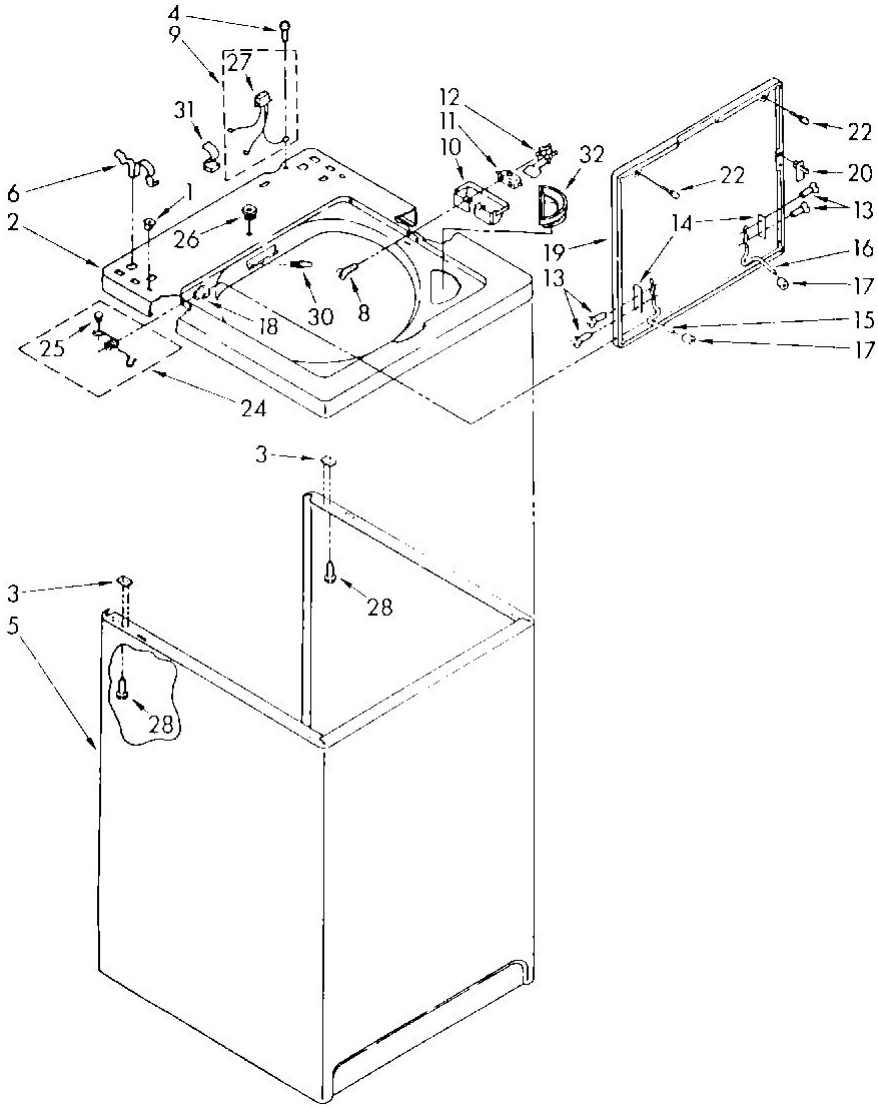


LA5800XTN0 GABINETE





LA5800XTN0 GABINETE

1	358473	NUT, PUSH-IN (2) (S/P)
2	388355	TOP (GOLDEN HARVEST) (S/P)
2	3359083	TOP (WHITE) (S/P)
2	3359084	TOP (ALMOND) (S/P)
2	388353	TOP (TOAST) (S/P)
2	388354	TOP (PLATINUM) (S/P)
3	62750	SPACER, CABINET TO TOP (4) (S/P)
4	687128	SCREW, 10-16 X 1/2 (S/P)
5	63424	CABINET (WHITE) (S/P)
5	63426	CABINET (TOAST) (S/P)
5	63427	CABINET (PLATINUM) (S/P)
5	63425	CABINET (ALMOND)
5	63428	CABINET (GOLDEN HARVEST) (S/P)
6	62780	CLIP, TOP & CABINET & REAR PANEL (2)
8	354764	SCREW & WASHER, LID SWITCH (2) (S/P)
9	63833	DESCONTINUADO
10	359231	SHIELD, LID SWITCH (S/P)
11	279347	SWITCH, LID (ALT.)
12	350733	ACTUATOR, LID SWITCH
13	3351355	SCREW, LID HINGE MOUNTING (4) (S/P)
14	21097	PAD, LID HINGE (2) (S/P)
15	54584	HINGE, LID (L.H.) (S/P)
16	54583	HINGE, LID (R.H.) (S/P)
17	19119	BUMPER, LID HINGE (S/P)
18	21258	BEARING, LID HINGE (2) (S/P)
19	3957563	LID (WHITE) (S/P)
19	3361401	LID (ALMOND) (S/P)
19	3354573	LID (PLATINUM) (S/P)
19	3354572	LID (TOAST) (S/P)
19	285881	LID (GOLDEN HARVEST) (S/P)
20	358684	STRIKE, LID SWITCH
22	93770	BUMPER, LID (2)
24	3349948	SPRING & BUTTON, LID (S/P)

25	54690	PLUG, BUTTON (S/P)
26	358472	DESCONTINUADO
27	62888	DESCONTINUADO
28	384435	SCREW, 10-16 X 1/2 (4) (S/P)
30	354239	RIVET, SERIAL NAMEPLATE (S/P)
31	90016	CLIP, HARNESS (S/P)
32	3362952	DISPENSER, BLEACH

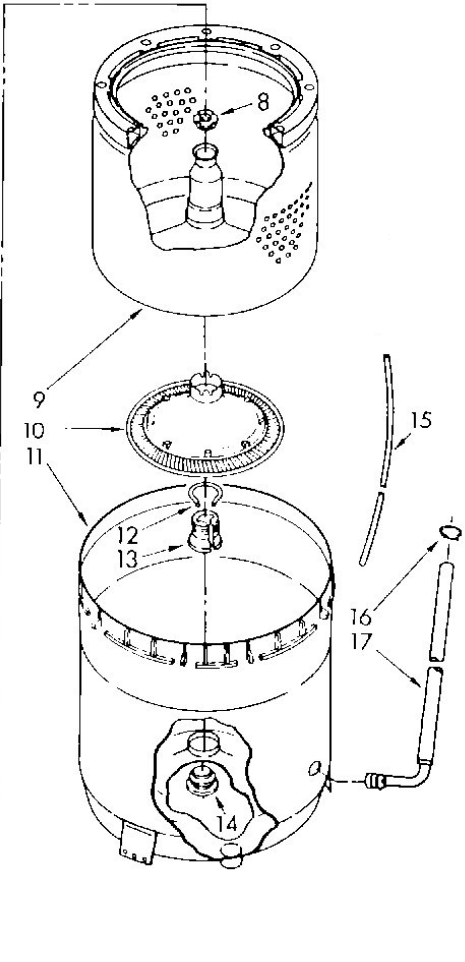
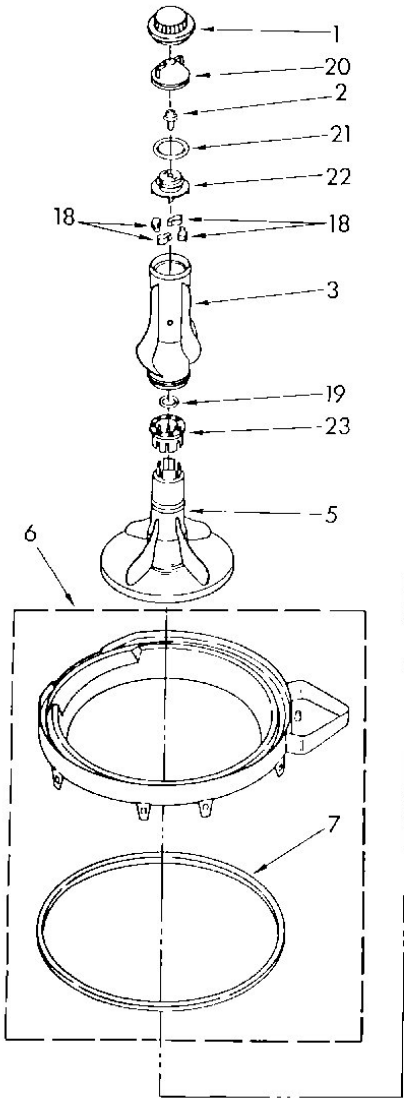


LA5800XTN0 TABLERO

1	16123	WASHER, WATER INLET HOSE (4) (S/P)
2	63162	PIN, CABINET GUIDE (2) (S/P)
3	89503	HOSE, WATER INLET (2) (ALT.)
4	339583	SCREW, 6-20 X 1/2 (S/P)
5	387402	HINGE, CONSOLE (2)
6	285931	PANEL, REAR (S/P)
7	62747	PAD, REAR PANEL (S/P)
8	285666	HOSE, CORRUGATED PLASTIC (S/P)
8	285664	HOSE, CORRUGATED PLASTIC
9	3351744	TIMER, CONTROL (60 HZ.)
10	63493	MOTOR, TIMER (S/P)
11	90767	SCREW, 8A X 3/8 (S/P)
12	64103	SWITCH, WATER LEVEL
13	63687	BRACKET, CONTROL (S/P)
14	285800	CORD, POWER
15	285777	STRAIN RELIEF, POWER CORD (S/P)
16	285653	CAP, END (L.H.)
17	96160	SCREEN, FILTER (2) (S/P)
18	285805	VALVE, WATER MIXING
19	90864	SCREW, 10-24 X 3/8 (2) (S/P)
20	359262	SCREW, GROUND (10-16 X 1/2) (S/P)
21	353367	CLAMP, HOSE (ALT.) (S/P)
22	3357328	HOSE, VACUUM BREAK
23	371503	CLAMP, HOSE (S/P)
24	3360977	BREAK, VACUUM
25	8519200	SUPPORT, REAR PANEL
26	3976399	CONNECTOR, DRAIN HOSE
27	356138	CLAMP, HOSE (S/P)
28	3348552	HOSE, PUMP TO DRAIN CONNECTOR
30	371502	CLAMP, HOSE (S/P)
31	353097	CLAMP, HOSE (ALT.) (S/P)
32	285871	HOSE, PUMP TO TUB
33	357030	CLAMP, CAPACITOR (S/P)

34	8572717	CAPACITOR, MOTOR START (S/P)
35	3354236	SWITCH, WATER TEMPERATURE (ALT.)
36	96435	SCREW, TIMER MOUNTING (10-32 X 1) (2) (S/P)
37	386636	KNOB, WATER LEVEL
38	688805	CLIP, CONTROL KNOB (S/P)
39	3348087	PANEL, CONSOLE (S/P)
40	689559	NUT, PUSH-IN (2) (S/P)
42	355326	SCREW, 13-16 X 5/8 (4) (S/P)
43	3348392	GASKET, SWITCH (S/P)
44	3349233	KNOB, TIMER
45	64138	DIAL, TIMER
47	285638	BUTTON, WATER TEMPERATURE PUSH (S/P)
48	356138	CLAMP, HOSE (S/P)
49	64211	SCREW, 8-18 (2) (PANEL TO TOP) (S/P)
50	62863	SCREW, 10-16 X 3/8 (S/P)
51	285653	CAP, END. (R.H.)
52	343641	SCREW, 10-16 X 1/2 (S/P)
54	303485	WIRE, GROUND (S/P)
55	9416643	SCREW, HINGE TO REAR PANEL (S/P)
56	3350222	RETAINER, WIRE
57	371504	CLAMP, HOSE (S/P)
58	384496	COUPLING, HOSE
60	8539874	SHEILD, SUDS (S/P)
61	661524	SWITCH, SECOND RINSE (ALT.)

LA5800XTNO TINA

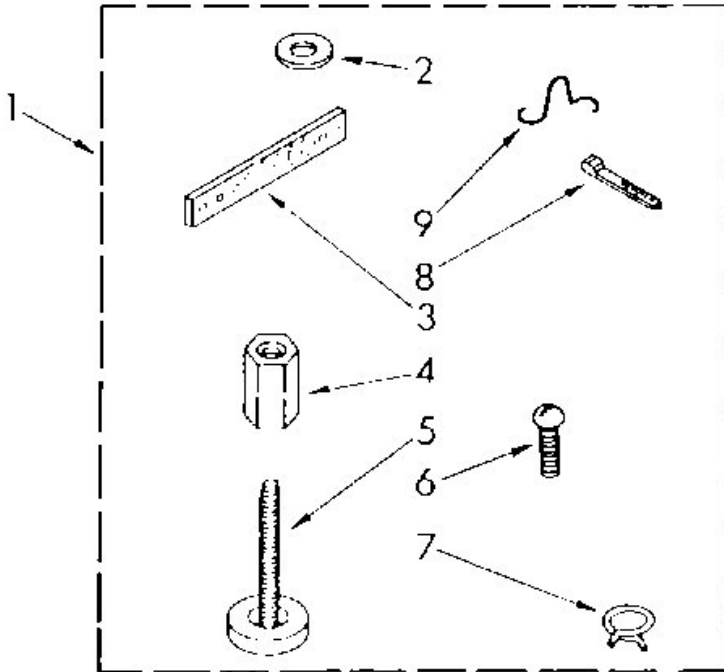




LA5800XTNO TINA

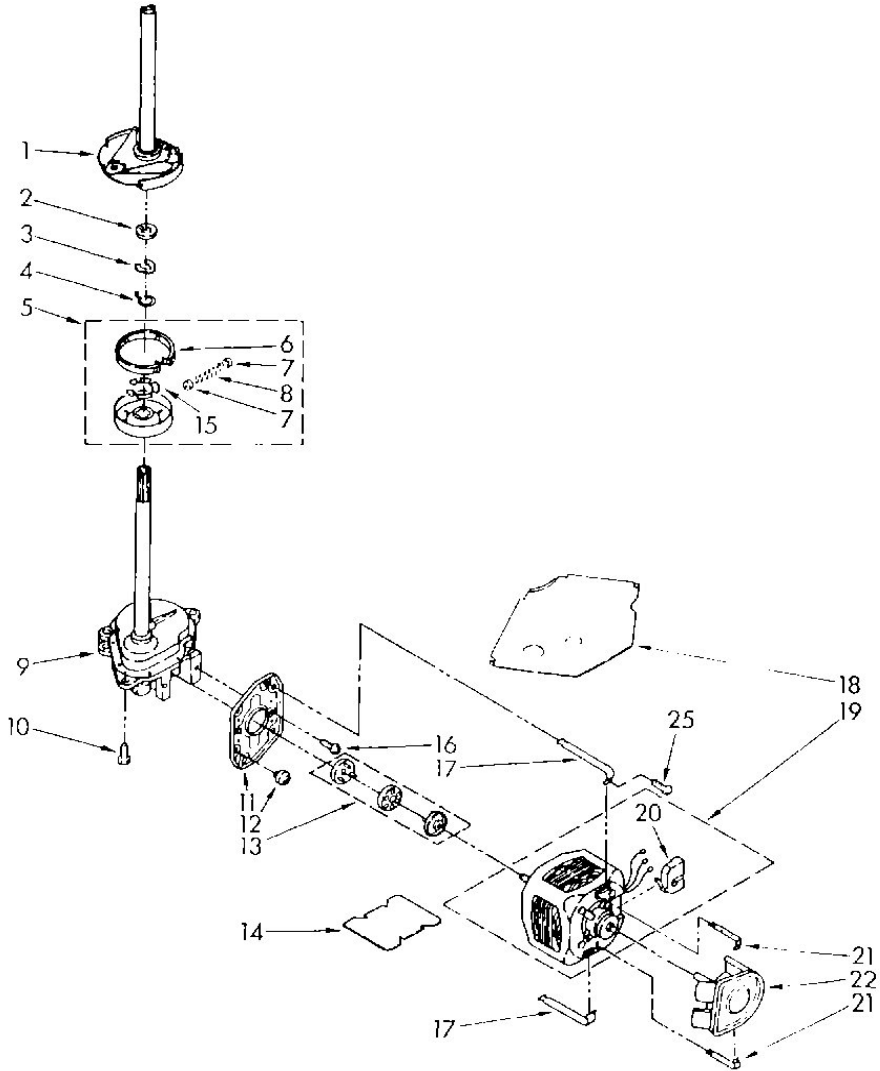
1	3428527	CAP, AGITATOR
2	358237	SCREW & WASHER
3	3348752	MOVER, CLOTHES
5	3347288	AGITATOR
6	8528150	TUB RING
7	3976308	GASKET, TUB RING
8	21366	NUT, SPANNER
9	8526016	BASKET
10	285868	FILTER, PLATE (INCLUDES ILLUS. 12)
11	3361596	TUB (S/P)
12	62942	LOCK, FILTER (S/P)
13	389140	BLOCK, DRIVE
14	383727	GASKET, CENTER POST
15	353244	HOSE, PRESSURE SWITCH
16	356436	CLAMP, HOSE (S/P)
17	63323	DESCONTINUADO
18	285770	DOG, AGITATOR CLUTCH (4)
19	357574	SEAL, AGITATOR
20	285551	BARRIER, CAP
21	3348855	SEAL, INNER CAP
22	285811	CAM DRIVEN
23	285587	SPACER, THRUST

LA5800XTN0 PATA



1	285609	MISCELLANEOUS PARTS BAG (S/P)
2	16123	WASHER, INLET HOSE (1-1/16 X 5/8) (4) (S/P)
4	62739	NUT, LOCK (2) (3/8-16)
5	389102	FOOT, FRONT (2)
7	356138	CLAMP, HOSE (S/P)
8	3347868	CABLE TIE (S/P)
9	3350222	RETAINER, DRAIN HOSE

LA5800XTN0 MOTOR





LA5800XTN0 MOTOR

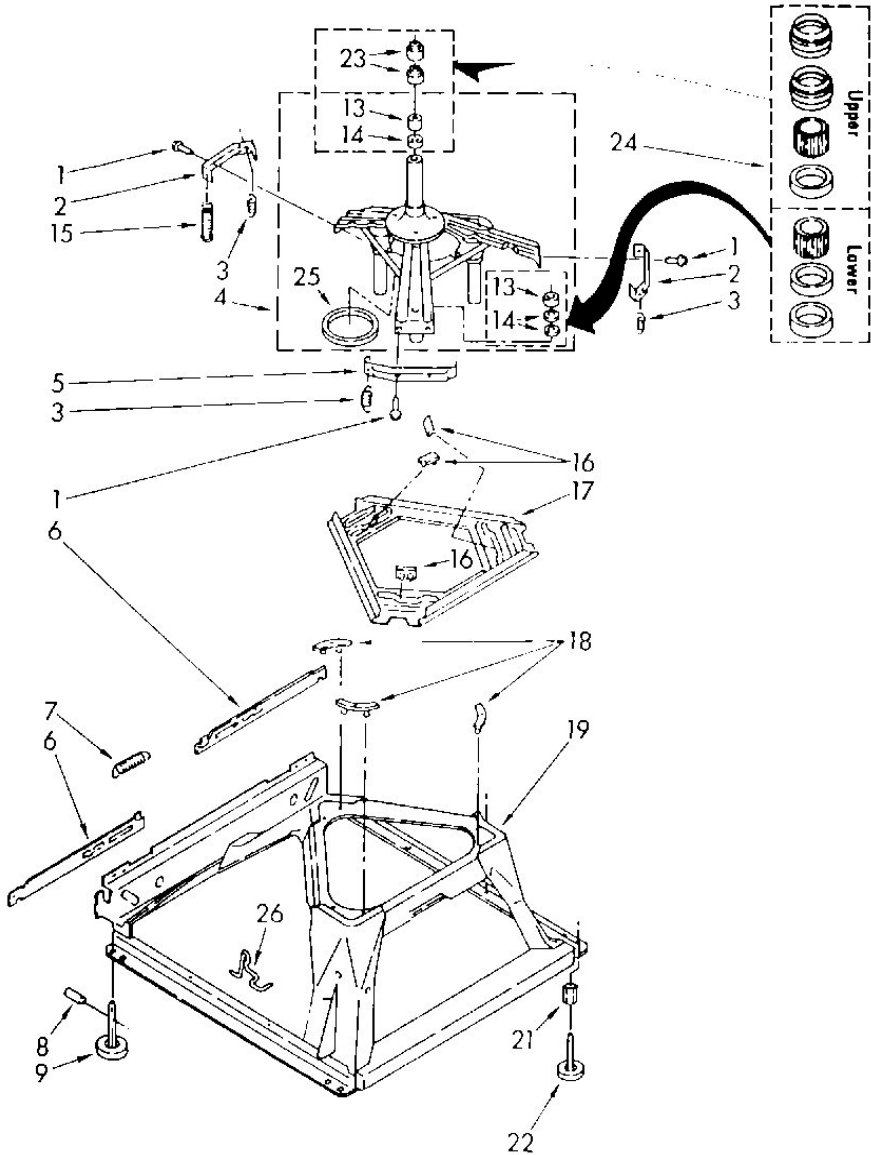
1	285792	BRAKE & DRIVE TUBE (COMPLETE)
2	63292	WASHER, SPIN TUBE THRUST
3	62697	RING, SPIN TUBE SUPPORT
4	285353	RING, RETAINER
5	285785	CLUTCH (COMPLETE)
6	285790	BAND & LINING, CLUTCH (INCLUDES ILLUS. 7 & 8)
7	62646	CAP, CLUTCH SPRING (2) (S/P)
8	285790	SPRING, CLUTCH
9	3363395	GEARCASE (COMPLETE) (S/P)
10	62735	SCREW, GEARCASE TO BASE (3) (S/P)
11	62611	PLATE, MOTOR MOUNT TO GEARCASE
12	62691	GROMMET, MOTOR (4)
13	285753	COUPLING, MOTOR AND ISOLATION
14	3946532	SHIELD, MOTOR (S/P)
15	3355454	CLIP (ANTI-RATTLE) (S/P)
16	98062	SCREW, 5/16-24 X 5/8 (2) (S/P)
17	3349637	RETAINER, MOTOR (2)
18	3362089	SHIELD, TUB TO MOTOR (S/P)
19	3349641	DESCONTINUADO
20	8529896	SWITCH, MAIN DRIVE MOTOR
21	62700	RETAINER, PUMP (2)
22	3363394	PUMP (COMPLETE)
25	357640	SCREW, 10-16 X 5/8 (S/P)

Distribuidor Autorizado

SurteRápido.com

Venta de Refacciones
Electrodomesticas

LA5800XTN0 BASE

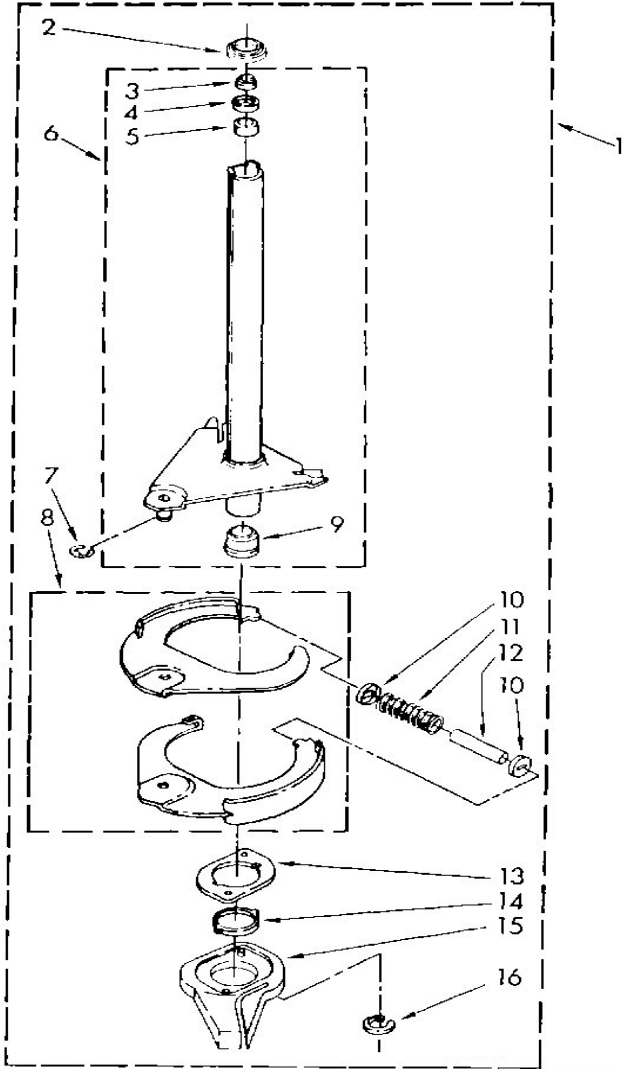




LA5800XTN0 BASE

1	98610	SCREW, BRACKET MOUNTING (10-16 X 5/8) (S/P)
2	64067	BRACKET, SPRING OUTER (2)
3	63907	SPRING, SUSPENSION (3)
4	280184	SUPPORT & BRAKE, TUB
5	64065	BRACKET, SPRING OUTER (L.F.)
6	63466	LINK, LEVELING MECHANISM (2)
7	8316845	SPRING, LEVELING MECHANISM
8	62837	PIN, KNURLED (S/P)
9	285244	FOOT, REAR (2)
13	8546455	BEARING, CENTERPOST (2) (S/P)
14	359449	SEAL, CENTERPOST (3)
15	388492	SPRING, COUNTERWEIGHT
16	285219	PAD, PLATE
17	3946509	PLATE, SUSPENSION (INCLUDES ILLUS. 16)
18	285744	PAD, BASE
19	285771	BASE ASSEMBLY
21	62739	NUT, LOCK (3/8-16) (2)
22	389102	FOOT, FRONT (2)
23	91938	SEAL, CENTERPOST (2)
24	285203	CENTERPOST BEARING KIT
25	63134	RING, SOUND DEADENING
26	63806	RETAINER, SUSPENSION SPRING

LA5800XTN0 FLECHA HUECA





LA5800XTN0 FLECHA HUECA

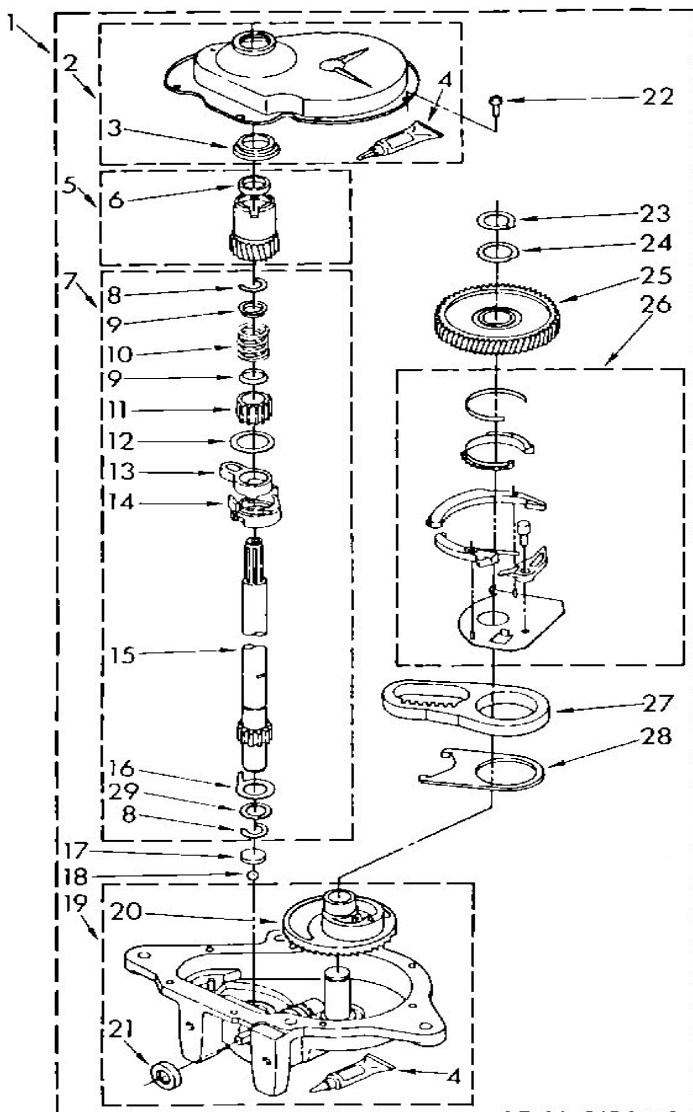
1	285792	BRAKE & DRIVE TUBE (COMPLETE)
2	62658	RING, THRUST
3	91939	SEAL. OIL
4	356427	SEAL, DRIVE TUBE
5	356937	SPACER, DRIVE TUBE
6	64208	TUBE, BASKET DRIVE
7	64035	RING, RETAINING (S/P)
8	285438	SHOE, BRAKE
9	62703	``T`` BEARING, SPIN TUBE
10	285658	CAP, BRAKE SPRING (2) (S/P)
11	387806	SPRING, BRAKE
12	285658	SLEEVE, BRAKE SPRING (S/P)
13	661516	CAM, BRAKE RELEASE
14	63022	SLEEVE, CAM
15	285790	DRIVER, BRAKE CAM
16	285208	LUBRICANT (S/P)
16	90368	RING, RETAINING

Distribuidor Autorizado

SurteRápido.com

Venta de Refacciones
Electrodomesticas

LA5800XTN0 TRANSMISION





LA5800XTN0 TRANSMISION

1	3363395	GEARCASE (COMPLETE) (S/P)
2	285202	COVER, GEARCASE (S/P)
3	3349985	SEAL, GEARCASE COVER
4	285195	SEALER, GASKET (.20 FL. OZ.) (6 ML)
5	285362	PINION, SPIN (INCLUDES ILLUS. 25)
6	356427	SEAL, SPIN PINION
7	389387	SHAFT, AGITSTOR (COMPLETE)
8	90369	RING, RETAINING (2)
9	62677	RETAINER, SPRING (2)
10	62676	SPRING, AGITATOR
11	285509	DESCONTINUADO
12	62619	WASHER, AGITATOR GEAR (S/P)
13	285206	CAM FOLLOWER
14	285206	CAM, AGITATE
15	389231	SHAFT, AGITATOR
16	62618	WASHER, CAM THRUST
17	285205	BEARING, THRUST
18	285205	BALL, BEARING
19	285515	BOTTOM, GEARCASE (S/P)
20	285515	GEAR, MAIN DRIVE (S/P)
21	285352	SEAL, THRUST PLUG
22	90864	SCREW, GEARCASE COVER MOUNTING (8) (S/P)
23	285765	RING, RETAINING
24	285735	WASHER KIT, THRUST
25	63400	GEAR, SPIN (S/P)
26	285595	NEUTRAL ASSEMBLY (S/P)
27	3949609	RACK, CONNECTING
28	62621	ACTUATOR, SHIFT
29	388815	WASHER, INTERMEDIATE (S/P)