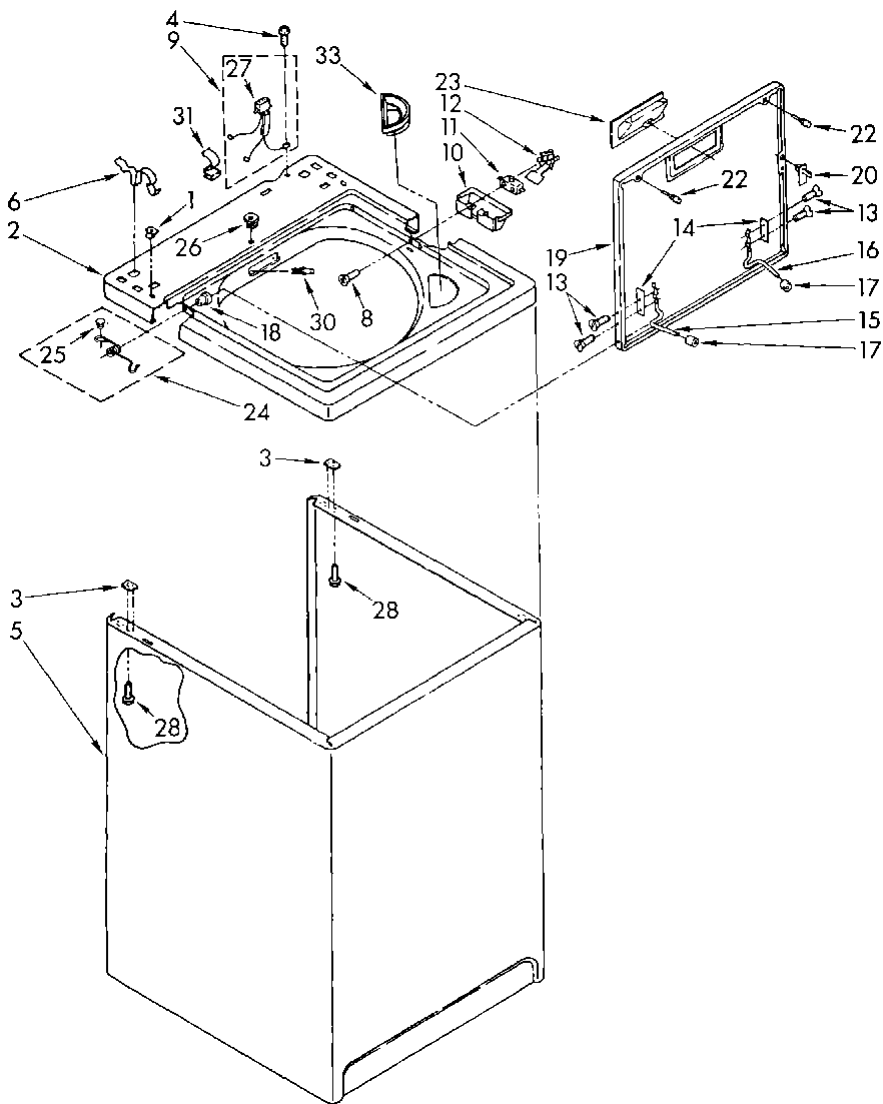


Distribuidor Autorizado

SurteRápido.com

Venta de Refacciones
Electrodomesticas

LA6500XPW0 GABINETE





LA6500XPW0 GABINETE

| | | |
|----|--------|---|
| 1 | 358473 | NUT, PUSH-IN (2) (S/P) |
| 2 | 63432 | TOP (ALMOND) (S/P) |
| 2 | 63433 | TOP (TOAST) (S/P) |
| 2 | 63437 | TOP (WHITE) DESCONTINUADO |
| 2 | 63434 | TOP (PLATINUM) (S/P) |
| 2 | 63435 | TOP (GOLDEN HARVEST) (S/P) |
| 3 | 62750 | SPACER, CABINET TO TOP (4) (S/P) |
| 4 | 687128 | SCREW, 10-16 X 1/2 (S/P) |
| 5 | 63425 | CABINET (ALMOND) |
| 5 | 63428 | CABINET (GOLDEN HARVEST) (S/P) |
| 5 | 63426 | CABINET (TOAST) (S/P) |
| 5 | 63427 | CABINET (PLATINUM) (S/P) |
| 5 | 63424 | CABINET (WHITE) (S/P) |
| 6 | 62780 | CLIP, TOP & CABINET & REAR PANEL (2) |
| 8 | 354764 | SCREW & WASHER, LID SWITCH (2) (S/P) |
| 9 | 63833 | HARNESS, LID SWITCH DESCONTINUADO |
| 10 | 359231 | SHIELD, LID SWITCH (S/P) |
| 11 | 279347 | SWITCH, LID |
| 12 | 350733 | ACTUATOR, LID SWITCH |
| 13 | 18724 | SCREW, LID HINGE MOUNTING (4) (S/P) |
| 14 | 21097 | PAD, LID HINGE (2) (S/P) |
| 15 | 54584 | HINGE, LID (L.H.) (S/P) |
| 16 | 54583 | HINGE, LID (R.H.) (S/P) |
| 17 | 19119 | BUMPER, LID HINGE (S/P) |
| 18 | 21258 | BEARING, LID HINGE (2) (S/P) |
| 19 | 387289 | LID (PLATINUM) (S/P) |
| 19 | 387288 | LID (TOAST) (S/P) |
| 19 | 387078 | LID (GOLDEN HARVEST) (S/P) |
| 19 | 387075 | LID (ALMOND) DESCONTINUADO |
| 19 | 387074 | LID (WHITE) (S/P) |
| 20 | 358684 | STRIKE, LID SWITCH |
| 22 | 93770 | BUMPER, LID (2) |
| 23 | 379888 | HANDLE, LID (GOLDEN HARVEST) (S/P) |

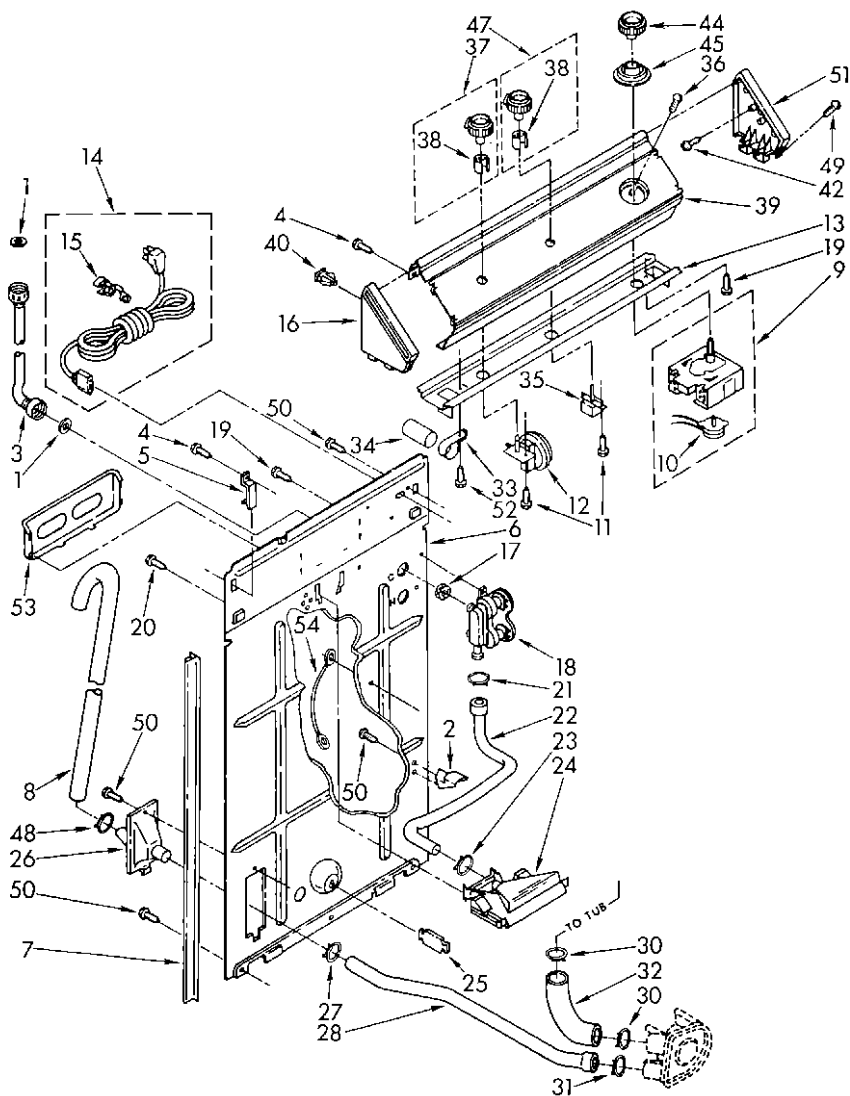
| | | |
|----|---------|---|
| 23 | 379890 | HANDLE, LID (TOAST) (S/P) |
| 23 | 3350562 | HANDLE, LID (ALMOND) DESCONTINUADO |
| 24 | 3349948 | SPRING & BUTTON, LID ((L.H.)) (S/P) |
| 24 | 384462 | SPRING & BUTTON, LID ((R.H.)) (S/P) |
| 25 | 54690 | PLUG, BUTTON (S/P) |
| 26 | 358472 | STOP, PUSH-IN TOP DESCONTINUADO |
| 27 | 62888 | PLUG, TERMINAL (3-WAY) DESCONTINUADO |
| 28 | 384435 | SCREW, 10-16 X 1/2 (4) (S/P) |
| 30 | 354239 | RIVET, SERIAL NAMEPLATE (S/P) |
| 31 | 90016 | CLIP, HARNESS (S/P) |
| 33 | 3362952 | BEZEL, BLEACH DISPENSER |

Distribuidor Autorizado

SurteRápido.com

Venta de Refacciones
Electrodomesticas

LA6500XPW0 TABLERO



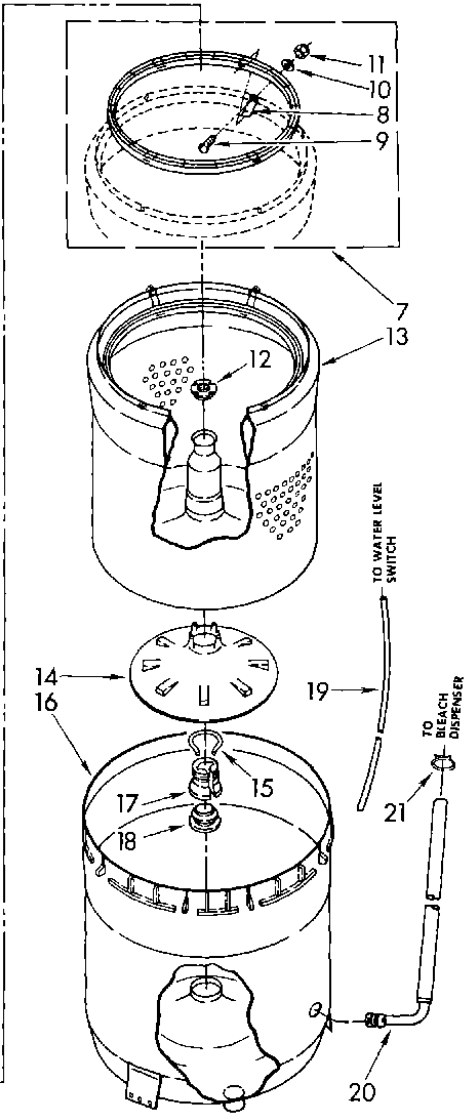
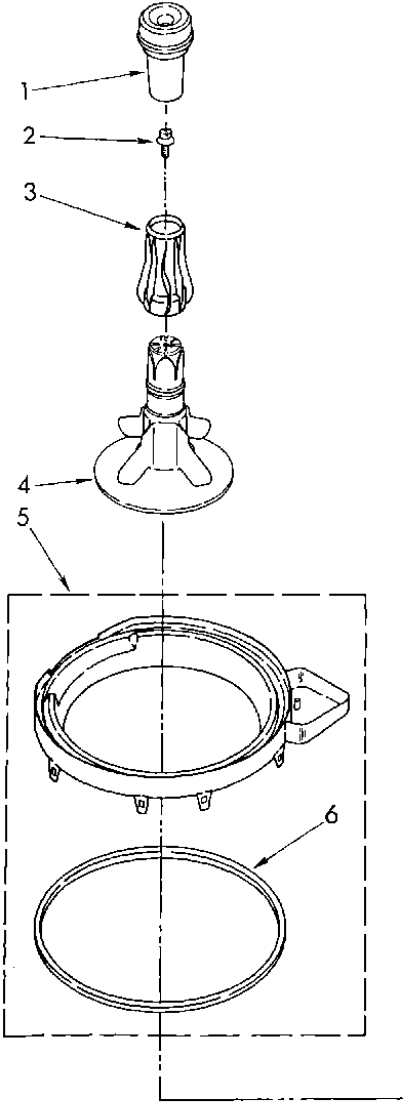


LA6500XPW0 TABLERO

| | | |
|----|---------|---|
| 1 | 16123 | WASHER, WATER INLET HOSE (4) (1-1/16 X 5/8) (S/P) |
| 2 | 63162 | PIN, CABINET GUIDE (2) (S/P) |
| 3 | 89503 | HOSE, WATER INLET (2) (S/P) |
| 4 | 687128 | SCREW, 10-16 X 1/2 (S/P) |
| 5 | 387402 | HINGE, CONSOLE (2) (S/P) |
| 6 | 285931 | PANEL, REAR (S/P) |
| 7 | 62747 | PAD, REAR PANEL (S/P) |
| 8 | 96743 | HOSE, DRAIN (S/P) |
| 9 | 63995 | TIMER, CONTROL (60 HZ.) (S/P) |
| 10 | 63493 | MOTOR, TIMER (S/P) |
| 11 | 90767 | SCREW, 8A X 3/8 (S/P) |
| 12 | 64073 | SWITCH, WATER LEVEL DESCONTINUADO |
| 13 | 3349983 | BRACKET, CONTROL (S/P) |
| 14 | 285800 | CORD, POWER (S/P) |
| 15 | 285777 | STRAIN RELIEF, POWER CORD (S/P) |
| 16 | 285653 | CAP, END (L.H.) (S/P) |
| 17 | 96160 | SCREEN, FILTER (2) (S/P) |
| 18 | 285805 | VALVE, WATER MIXING |
| 19 | 90864 | SCREW, 10-24 X 3/8 (2) (S/P) |
| 20 | 359262 | SCREW, GROUND (10-16 X 1/2) (S/P) |
| 21 | 596669 | CLAMP, HOSE (S/P) |
| 22 | 3357328 | HOSE, VACUUM BREAK |
| 23 | 596669 | CLAMP, HOSE (S/P) |
| 24 | 3347034 | BREAK, VACUUM |
| 25 | 63290 | SUPPORT, REAR PANEL |
| 26 | 3976399 | CONNECTOR, DRAIN |
| 27 | 356138 | CLAMP, HOSE (S/P) |
| 28 | 3348552 | HOSE, PUMP TO DRAIN CONNECTOR |
| 30 | 371502 | CLAMP, HOSE (S/P) |
| 31 | 285655 | CLAMP, HOSE (S/P) |
| 32 | 285871 | HOSE, PUMP TO TUB |
| 33 | 357030 | CLAMP, CAPACITOR (S/P) |
| 34 | 8572717 | CAPACITOR, MOTOR START (S/P) |

| | | |
|----|---------|---|
| 35 | 660393 | SWITCH, WATER TEMPERATURE (ALT.) |
| 36 | 96435 | SCREW, TIMER MOUNTING (10-32 X 1) (2) (S/P) |
| 37 | 386636 | KNOB, WATER LEVEL |
| 38 | 688805 | CLIP, CONTROL KNOB (S/P) |
| 39 | 64119 | PANEL, CONSOLE (S/P) |
| 40 | 689559 | NUT, PUSH-IN (2) (S/P) |
| 42 | 355326 | SCREW, 13-16 X 5/8 (4) (S/P) |
| 44 | 3349233 | KNOB, TIMER (S/P) |
| 45 | 64138 | DIAL, TIMER |
| 47 | 386636 | KNOB, WATER TEMPERATURE |
| 48 | 356138 | CLAMP, HOSE (S/P) |
| 49 | 64211 | SCREW, 8-18 (2) (PANEL TO TOP) DESCONTINUADO |
| 50 | 62863 | SCREW, 10-16 X 3/8 (S/P) |
| 51 | 285653 | CAP, END. (R.H.) (S/P) |
| 52 | 343641 | SCREW, 10-16 X 1/2 (S/P) |
| 53 | 63020 | RACK, LITERATURE (S/P) |
| 54 | 303485 | WIRE, GROUND (S/P) |

LA6500XPW0 TINAS

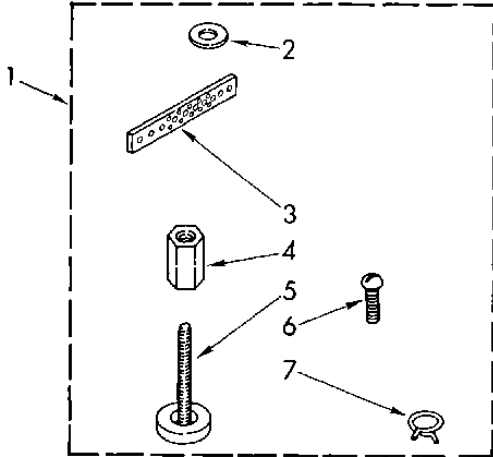




LA6500XPW0 TINAS

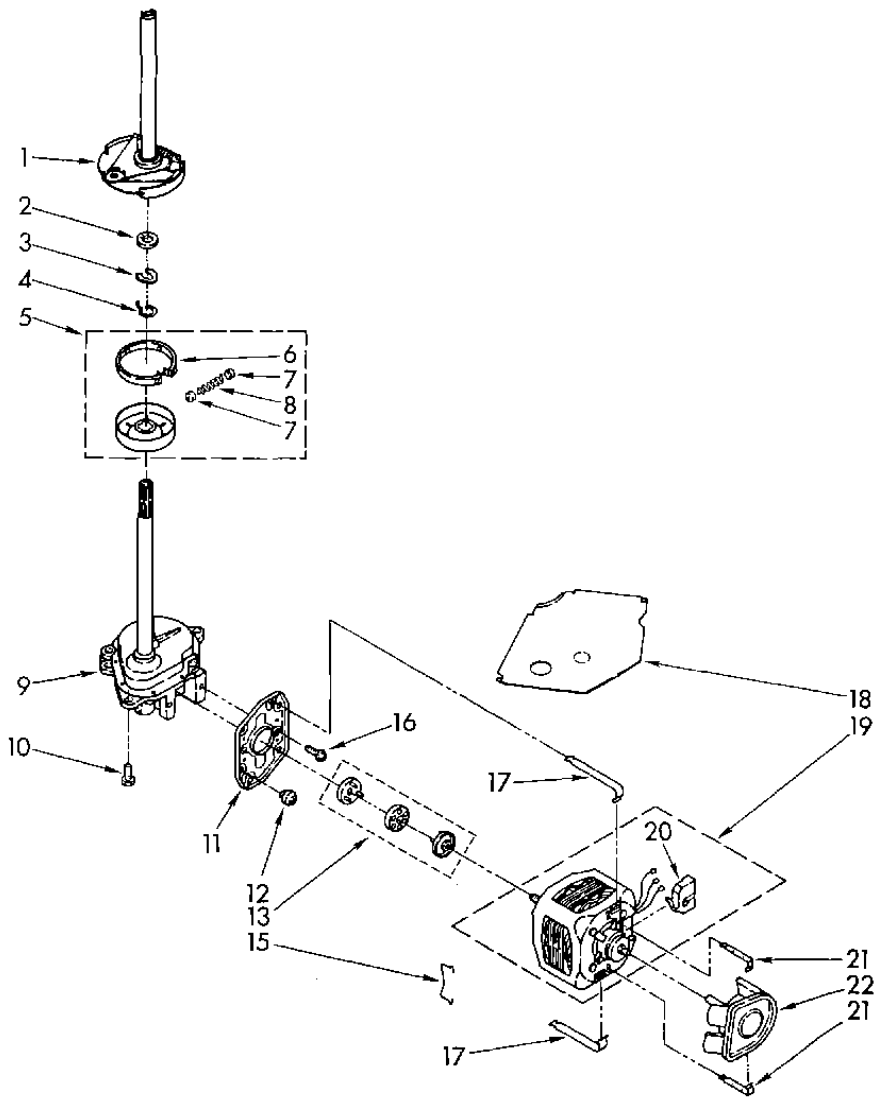
| | | |
|----|---------|---|
| 1 | 63580 | DISPENSER, FABRIC SOFTNER |
| 2 | 358237 | SCREW & WASHER (5-16-24 X 1) |
| 3 | 63753 | FILTER, MANUAL |
| 4 | 387838 | AGITATOR |
| 5 | 3360611 | TUB RING (S/P) |
| 6 | 3359586 | GASKET, TUB RING |
| 7 | 285350 | CLOTHES GUARD REPAIR KIT DESCONTINUADO |
| 8 | 63552 | CLIP, CLOTHES GUARD (6) (S/P) |
| 9 | 486754 | SCREW, 6-32 X 3/8 (6) (S/P) |
| 10 | 681095 | WASHER, NYLON (6) (S/P) |
| 11 | 285348 | LOCKNUT (2) (S/P) |
| 12 | 21366 | NUT, SPANNER |
| 13 | 285537 | BASKET & CLOTHES GUARD (S/P) |
| 14 | 63546 | PLATE, RESTRICTOR DESCONTINUADO |
| 15 | 62942 | LOCK, RESTRICTOR (S/P) |
| 16 | 3361597 | TUB (S/P) |
| 17 | 389140 | BLOCK, BASKET DRIVE |
| 18 | 383727 | GASKET, CENTERPOST |
| 19 | 353244 | HOSE, PRESSURE SWITCH (S/P) |
| 20 | 63323 | HOSE, BLEACH DESCONTINUADO |
| 21 | 596669 | CLAMP, HOSE (S/P) |

LA6500XPW0 PATA



| | | |
|---|--------|---|
| 1 | 285609 | MISCELLANEOUS PARTS BAG (S/P) |
| 2 | 16123 | WASHER, INLET HOSE (1-1/16 X 5/8) (4) (S/P) |
| 3 | 22965 | STRAP, GROUND (S/P) |
| 4 | 62739 | NUT, LOCK (2) (3/8-16) |
| 5 | 389102 | FOOT, FRONT (2) |
| 6 | 132848 | SCREW, GROUND (10-24 X 1) (S/P) |
| 7 | 356138 | CLAMP, HOSE (S/P) |

LA6500XPW0 MOTOR

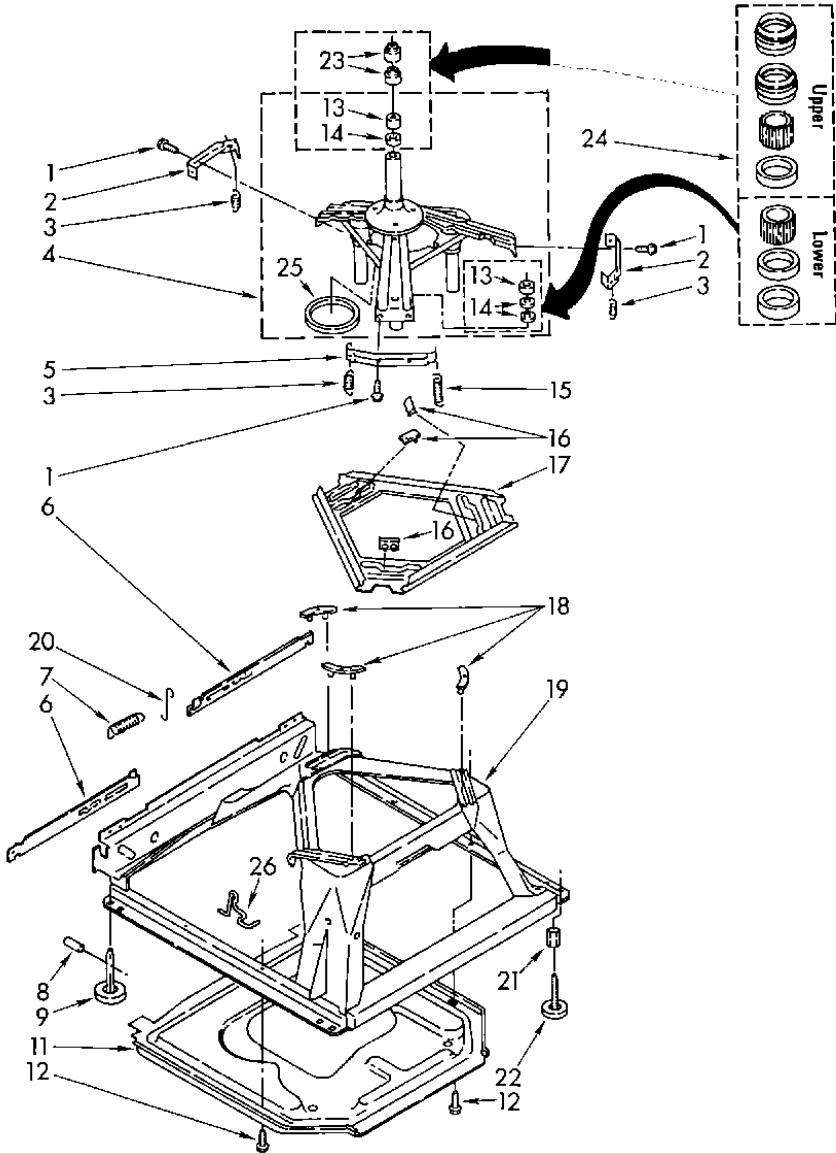




LA6500XPW0 MOTOR

| | | |
|----|---------|---|
| 1 | 285792 | BRAKE & DRIVE TUBE (COMPLETE) |
| 2 | 63292 | WASHER, SPIN TUBE THRUST |
| 3 | 62697 | RING, SPIN TUBE SUPPORT |
| 4 | 285353 | RING, RETAINER |
| 5 | 285785 | CLUTCH (COMPLETE) |
| 6 | 285790 | BAND & LINING, CLUTCH (INCLUDES ILLUS. 7 & 8) |
| 7 | 62646 | CAP, CLUTCH SPRING (2) (S/P) |
| 8 | 285790 | SPRING, CLUTCH |
| 9 | 389245 | GEARCASE (COMPLETE) (S/P) |
| 10 | 62735 | SCREW, GEARCASE TO BASE (S/P) |
| 11 | 62611 | PLATE, MOTOR MOUNT TO GEARCASE (S/P) |
| 12 | 62691 | GROMMET, MOTOR (4) |
| 13 | 285753 | COUPLING, MOTOR AND ISOLATION |
| 15 | 386838 | CLIP, MOTOR DISCONNECT DESCONTINUADO |
| 16 | 98062 | SCREW, 5/16-24 X 5/8 (2) (S/P) |
| 17 | 3349637 | RETAINER, MOTOR (2) (S/P) |
| 18 | 336289 | SHIELD, TUB TO MOTOR (S/P) |
| 19 | 389248 | MOTOR, MAIN DRIVE |
| 20 | 8529896 | SWITCH, MAIN DRIVE MOTOR (S/P) |
| 21 | 62700 | RETAINER, PUMP (2) |
| 22 | 3363394 | PUMP (COMPLETE) |

LA6500XPW0 BASE

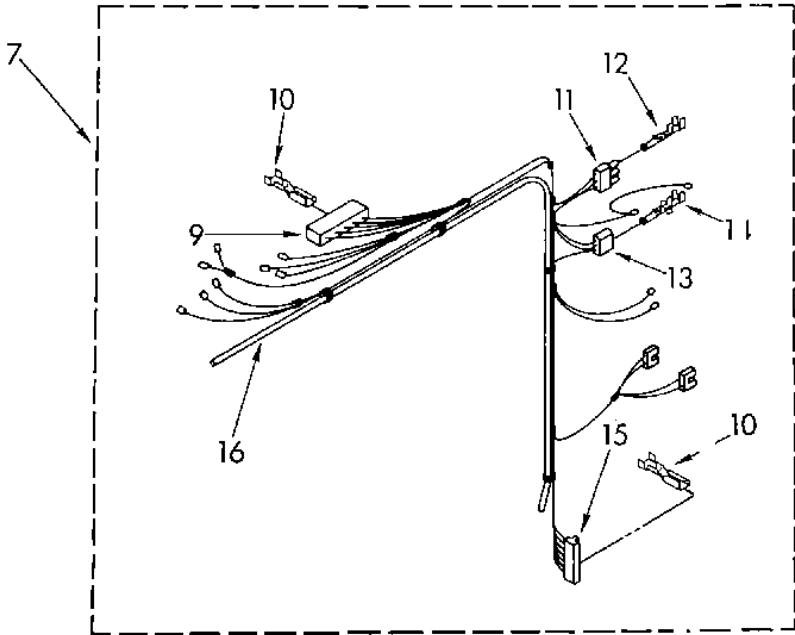
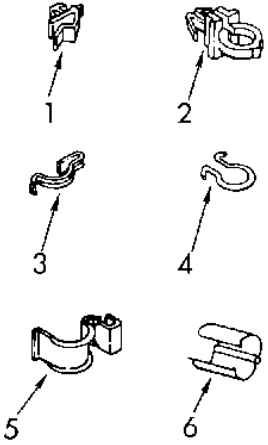




LA6500XPW0 BASE

| | | |
|----|---------|---|
| 1 | 98610 | SCREW, BRACKET MOUNTING (10-16 X 5/8) (S/P) |
| 2 | 64067 | BRACKET, SPRING OUTER (2) |
| 3 | 63907 | SPRING, SUSPENSION (3) |
| 4 | 280184 | SUPPORT & BRAKE, TUB (S/P) |
| 5 | 64065 | BRACKET, SPRING OUTER (L.F.) |
| 6 | 63466 | LINK, LEVELING MECHANISM (2) |
| 7 | 8316845 | SPRING, LEVELING MECHANISM |
| 8 | 62837 | PIN, KNURLED (S/P) |
| 9 | 285244 | FOOT, REAR (2) |
| 11 | 3946532 | PAN, BOTTOM (S/P) |
| 12 | 62863 | SCREW, 10-16 X 3/8 (2) (S/P) |
| 13 | 8546455 | BEARING, CENTERPOST (2) (S/P) |
| 14 | 359449 | SEAL, CENTERPOST (3) |
| 15 | 388492 | SPRING, COUNTERWEIGHT |
| 16 | 285219 | PAD, PLATE |
| 17 | 3946509 | PLATE (INCLUDES ILLUS. 16) (S/P) |
| 18 | 285744 | PAD, BASE |
| 19 | 285771 | BASE ASSEMBLY (INCLUDES ILLUS, 6, 7, 8, 9, 18 & 26) |
| 20 | 388492 | RETAINER, COUNTERWEIGHT SPRING |
| 21 | 62739 | NUT, LOCK (3/8-16) (2) |
| 22 | 389102 | FOOT, FRONT (2) |
| 23 | 91938 | SEAL, CENTERPOST (2) |
| 24 | 285203 | CENTERPOST BEARING KIT |
| 25 | 63134 | RING, SOUND DEADENING |
| 26 | 63806 | RETAINER, SUSPENSION SPRING |

LA6500XPW0 HARNES

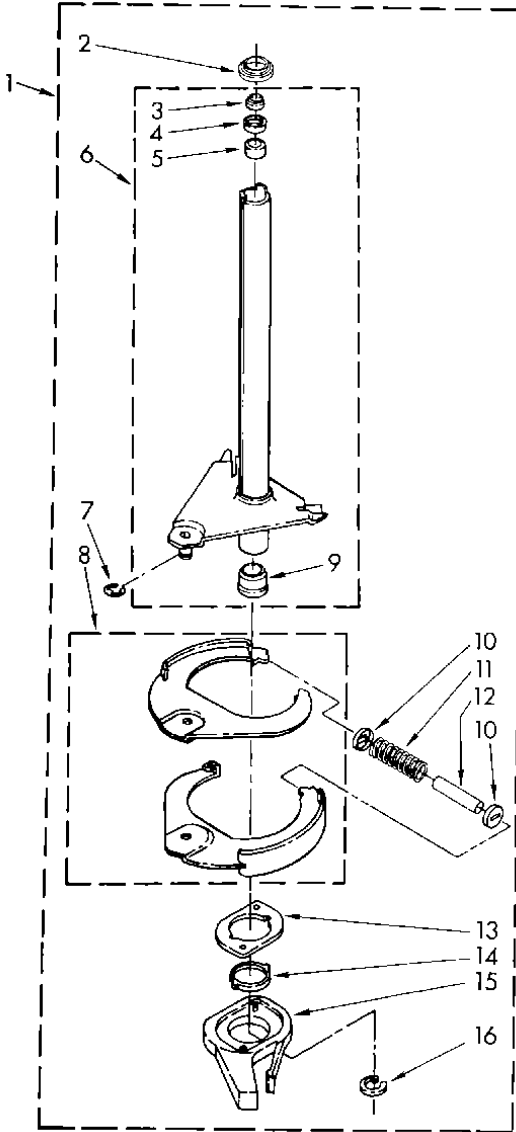




LA6500XPW0 HARNES

| | | |
|----|---------|--|
| 1 | 62732 | CLIP, HARNESS (S/P) |
| 2 | 388498 | CLIP, HARNESS DESCONTINUADO |
| 3 | 98997 | CLIP, HARNESS (S/P) |
| 4 | 3348535 | CLIP, HARNESS (3) (S/P) |
| 5 | 90016 | CLIP, HARNESS (S/P) |
| 6 | 63523 | PROTECTOR, HARNESS (S/P) |
| 7 | 64105 | WIRING HARNESS & PRESSURE SWITCH HOSE (S/P) |
| 9 | 352089 | BLOCK, DISCONNECT (BLACK) (TIMER) (S/P) |
| 10 | 352088 | TERMINAL, FEMALE (S/P) |
| 11 | 62889 | RECEPTACLE, TERMINAL (3-WAY)(LID SWITCH) (S/P) |
| 12 | 94614 | TERMINAL, FEMALE (S/P) |
| 13 | 353424 | PLUG, TERMINAL (3-WAY) (POWER CORD) (S/P) |
| 14 | 596797 | TERMINAL, MALE (S/P) |
| 15 | 62505 | BLOCK, DISCONNECT (MOTOR) (S/P) |
| 16 | 353244 | HOSE, PRESSURE SWITCH |

LA6500XPW0 FLECHA HUECA





LA6500XPW0 FLECHA HUECA

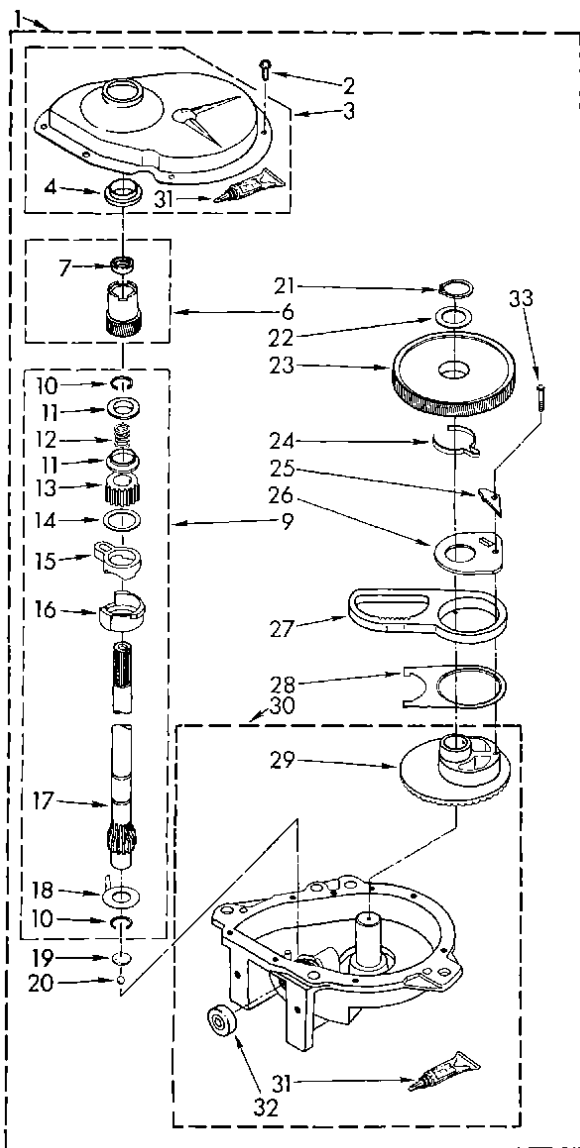
| | | |
|----|--------|---|
| 1 | 285792 | BRAKE & DRIVE TUBE (COMPLETE) |
| 2 | 62658 | RING, THRUST |
| 3 | 91939 | SEAL. OIL |
| 4 | 356427 | SEAL, DRIVE TUBE |
| 5 | 356937 | SPACER, DRIVE TUBE |
| 6 | 64208 | TUBE, BASKET DRIVE (INCLUDES ILLUS. 3, 4, 5, & 9) |
| 7 | 64035 | RING, RETAINING (S/P) |
| 8 | 285438 | BRAKE SHOE |
| 9 | 62703 | ``T`` BEARING, SPIN TUBE |
| 10 | 285658 | CAP, BRAKE SPRING (2) (S/P) |
| 11 | 62647 | SPRING, BRAKE |
| 12 | 285658 | SLEEVE, BRAKE SPRING (S/P) |
| 13 | 661516 | CAM, BRAKE RELEASE |
| 14 | 63022 | SLEEVE, CAM DESCONTINUADO |
| 15 | 285790 | DRIVER, BRAKE CAM |
| 16 | 285208 | LUBRICANT (S/P) |
| 16 | 90368 | RING, RETAINING |

Distribuidor Autorizado

SurteRápido.com

Venta de Refacciones
Electrodomesticas

LA6500XPW0 TRANSMISION





LA6500XPW0 TRANSMISION

| | | |
|----|---------|---|
| 1 | 389245 | GEARCASE (COMPLETE) (S/P) |
| 2 | 90864 | SCREW, 10-24 X 3/8 (8) (S/P) |
| 3 | 285202 | COVER, GEARCASE (S/P) |
| 4 | 3349985 | SEAL, GEARCASE COVER |
| 6 | 285362 | PINION, SPIN |
| 7 | 356427 | SEAL, SPIN SHAFT |
| 9 | 389387 | SHAFT, AGITATOR (COMPLETE) (S/P) |
| 10 | 90369 | RING, RETAINING (2) |
| 11 | 62677 | RETAINER, SPRING |
| 12 | 62676 | SPRING, AGITATOR (S/P) |
| 13 | 285509 | GEAR, AGITATOR DESCONTINUADO |
| 14 | 62619 | WASHER, AGITATOR GEAR (S/P) |
| 15 | 285206 | FOLLOWER, CAM |
| 16 | 285206 | CAM, AGITATOR |
| 17 | 285509 | SHAFT, AGITATOR DESCONTINUADO |
| 18 | 62618 | WASHER, CAM THRUST |
| 19 | 285205 | BEARING, THRUST |
| 20 | 285205 | BALL, BEARING |
| 21 | 285765 | RING, RETAINING |
| 22 | 285735 | WASHER KIT, THRUST (S/P) |
| 23 | 285362 | GEAR, SPIN |
| 24 | 285715 | SPRING, SPIN GEAR |
| 25 | 285715 | PAWL, SPIN GEAR |
| 26 | 285715 | RETAINER, RACK |
| 27 | 8546456 | RACK, CONNECTING (S/P) |
| 28 | 62621 | ACTUATOR, SHIFT |
| 29 | 285515 | GEAR, MAIN DRIVE (S/P) |
| 30 | 285515 | SPIN PINION ASSEMBLY, GEARCASE (S/P) |
| 31 | 285195 | SEALER, GASKET (.20 FL. OZ.) (6 ML) (S/P) |
| 32 | 285352 | SEAL KIT, THRUST PLUG |
| 33 | 350572 | OIL, GEARCASE (16 OZ.) (S/P) |
| 33 | 62638 | STUD, SHOULDER PAWL (S/P) |