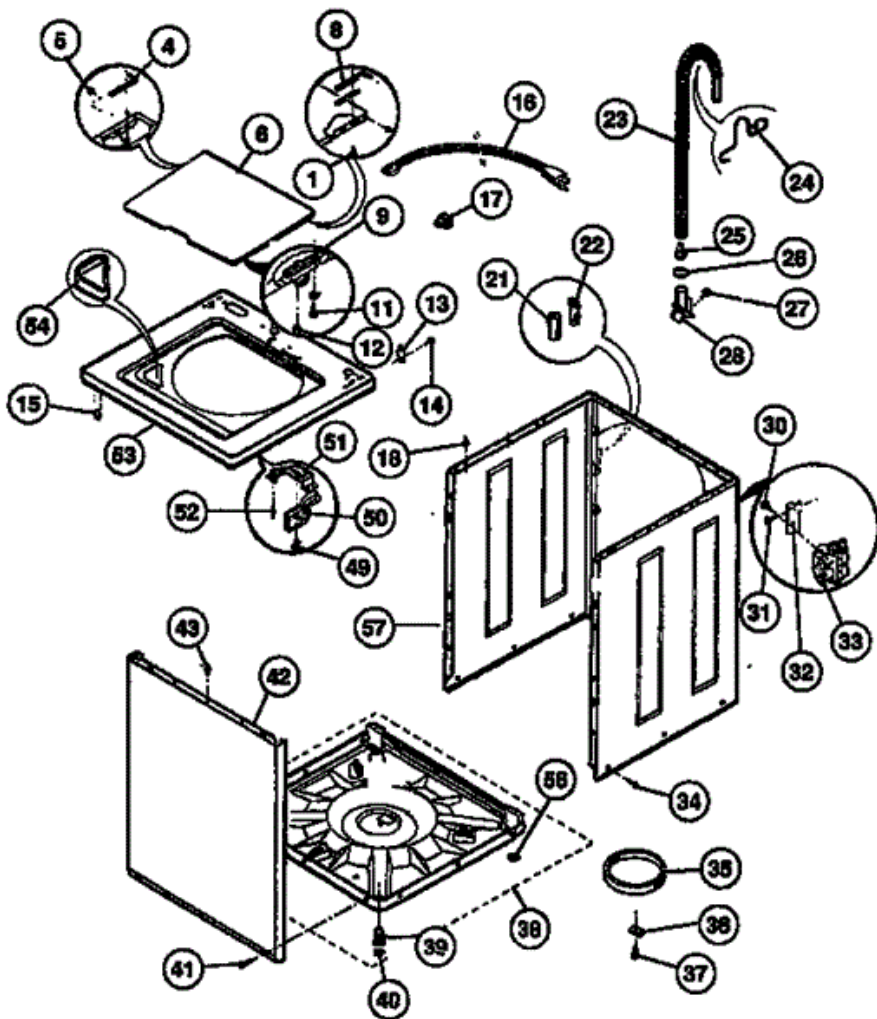


Distribuidor Autorizado

SurteRápido.com

Venta de Refacciones
Electrodomesticas

LA650AXD1 GABINETE





LA650AXD1 GABINETE

| | | |
|----|------------|--------------------|
| 1 | 5303211089 | SCREW (4) |
| 4 | 5303210117 | HINGE BAR -LH |
| 5 | 5303208743 | GROMMET |
| 6 | 131048501 | LID - ALMOND |
| 8 | 5303210122 | HINGE BAR-RH |
| 9 | 3204367 | LID STRIKE |
| 11 | 3204368 | SCREW |
| 12 | 3204369 | BUMPER |
| 13 | 5303208751 | HINGE |
| 14 | 5308057419 | SCREW |
| 15 | 3205821 | CLIP |
| 16 | 5303208765 | SERVICE CORD |
| 17 | 5303209428 | BUSHING |
| 18 | 3204373 | LOCATING PIN |
| 21 | 5308014903 | CAPACITOR |
| 22 | 5303161252 | BRACKET-CAPACITOR |
| 23 | 3205414 | DRAIN HOSE |
| 24 | 5303204987 | RETAINER |
| 25 | 3204375 | CHECK VALVE |
| 26 | 5364154013 | CLAMP |
| 27 | 5308006553 | SCREW |
| 28 | 3204376 | COUPLER |
| 30 | 5303010202 | SCREW |
| 31 | 5303015671 | SCREW |
| 32 | 3204378 | BRACKET |
| 33 | 5303207418 | VALVE-WATER |
| 34 | 5308001613 | SCREW |
| 35 | 5308002385 | SNUBBER RING |
| 36 | 3204380 | SHIPPING BLOCK |
| 37 | 3204381 | SHIPPING SCREW |
| 38 | 3204382 | BASE |
| 39 | 5303272067 | LEVELING LEG & PAD |
| 40 | 5303004083 | PAD-LEG |

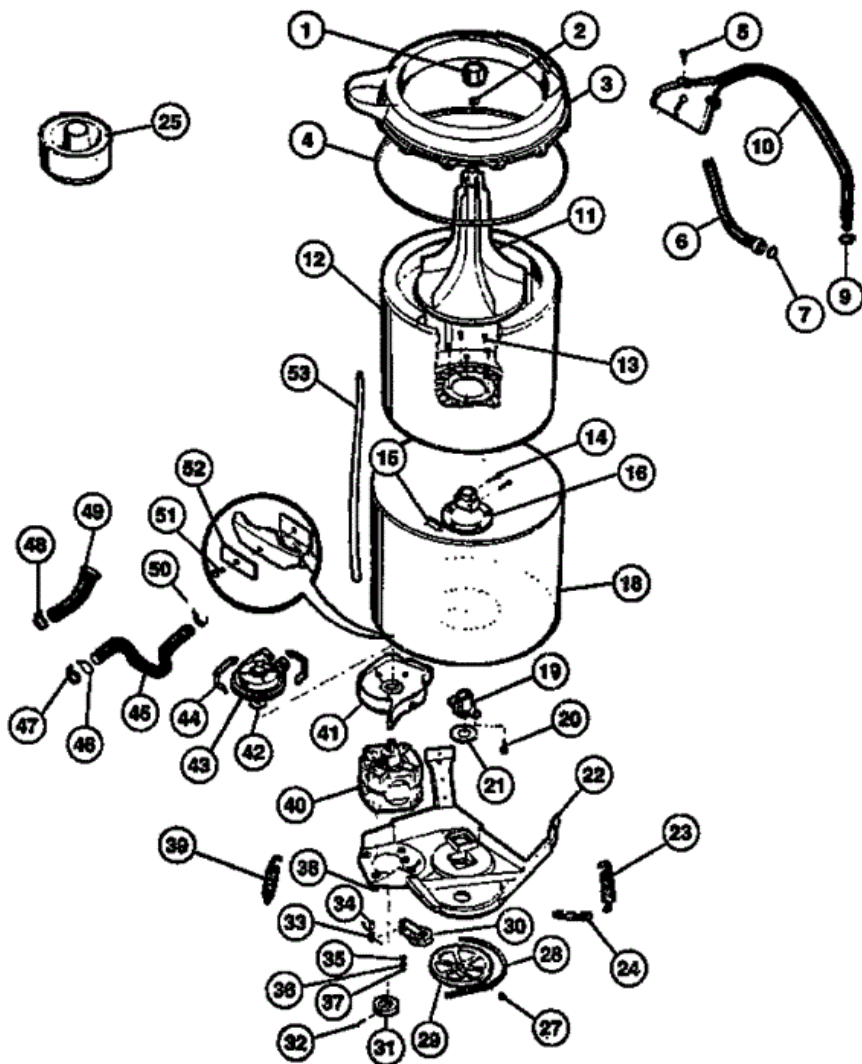
| | | |
|----|------------|-----------------------|
| 41 | 3205406 | SCREW |
| 42 | 131001803 | PANEL - FRONT - WHITE |
| 42 | 131001805 | PANEL-FRONT-ALMOND |
| 43 | 3204373 | LOCATING PIN |
| 49 | 8001689 | SCREW |
| 50 | 3205646 | LID LOCK |
| 51 | 3204391 | BRACKET |
| 52 | 8002420 | RIVET |
| 53 | 5303937106 | PANEL TOP-ALMOND |
| 54 | 5303208778 | BLEACH DISPENSER |
| 56 | 5303293754 | PAD-LEG |
| 57 | 3204388 | BODY - ALMOND |

Distribuidor Autorizado

SurteRápido.com

Venta de Refacciones
Electrodomesticas

LA650AXD1 TINAS





LA650AXD1 TINAS

| | | |
|----|------------|--------------------------|
| * | 5303212877 | INSERT-SPRING ADJUSTMENT |
| 1 | 5303208779 | CAP-AGITATOR |
| 3 | 5303272145 | COVER-SPLASH TUB |
| 4 | 3204398 | GASKET |
| 5 | 5308015309 | SCREW |
| 6 | 5303271009 | HOSE-INLET (2) |
| 7 | 5303161296 | WASHER |
| 9 | 5303012110 | CLAMP |
| 10 | 3204400 | NOZZLE & HOSE |
| 11 | 5303211003 | AGITATOR |
| 12 | 131099500 | SPIN TUB |
| 13 | 5303283293 | SCREW |
| 14 | 5308027517 | SCREW |
| 15 | 5308001923 | LOCKPLATE |
| 16 | 5303283294 | TRUNNION |
| 18 | 3204404 | SPLASH TUB & BEARING |
| 19 | 3204405 | BEARING-UPPER SPIN |
| 1A | 3204396 | SEAL CAP |
| 20 | 3205150 | SCREW |
| 21 | 5308002401 | WASHER |
| 22 | 3204408 | LEG & DOME ASSEMBLY |
| 23 | 5303208858 | SPRING-VERTICAL (SHORT) |
| 24 | 5303208859 | SPRING, HORIZONTAL |
| 25 | 3205405 | FABRIC DISPENSER |
| 27 | 5303270023 | SCREW |
| 28 | 3204418 | BELT |
| 29 | 5303272070 | PULLEY-TRANSMISSION |
| 30 | 3204422 | IDLER ARM ASSEMBLY |
| 31 | 3204423 | PULLEY-MOTOR |
| 32 | 3204424 | ROLL PIN |
| 33 | 3204425 | SPRING TORSION |
| 34 | 3204426 | SLEEVE-IDLER PIVOT |
| 35 | 3161433 | RETAINING RING |

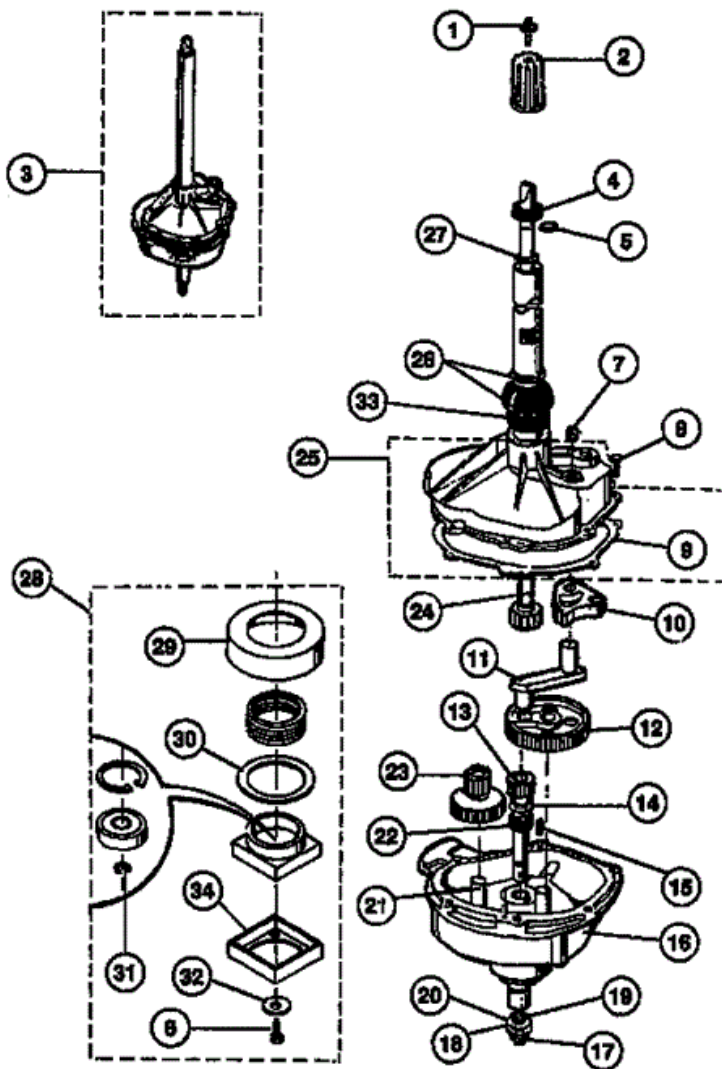
| | | |
|-----|------------|--------------------------------|
| 36 | 5303261031 | WASHER-PIVOT SHAFT |
| 37 | 5303161306 | SPRING WASHER |
| 38 | 5303283079 | HEX NUT (4) |
| 39 | 5303208860 | SPRING-VERTICAL (2) |
| 40 | 5303284905 | MOTOR-MAIN |
| 40A | 5303293588 | SWITCH-MOTOR (NON-ILLUSTRATED) |
| 41 | 5303211074 | SHIELD-MOTOR |
| 42 | 3204451 | SLINGER-PUMP |
| 43 | 5303272432 | PUMP |
| 44 | 3204453 | CLIP-PUMP |
| 45 | 3204454 | HOSE-PUMP TO COUPLER |
| 46 | 3204455 | CLIP-HOSE TO LEG |
| 47 | 3204456 | CLAMP |
| 48 | 3204457 | CLAMP |
| 49 | 131146800 | HOSE - PUMP TO TUB |
| 50 | 3204456 | CLAMP |
| 51 | 3204459 | SCREW |
| 52 | 3204460 | PLATE- LEG BOLT |
| 53 | 5303294290 | PRESSURE TUBE |

Distribuidor Autorizado

SurteRápido.com

Venta de Refacciones
Electrodomesticas

LA650AXD1 TRANSMISION





LA650AXD1 TRANSMISION

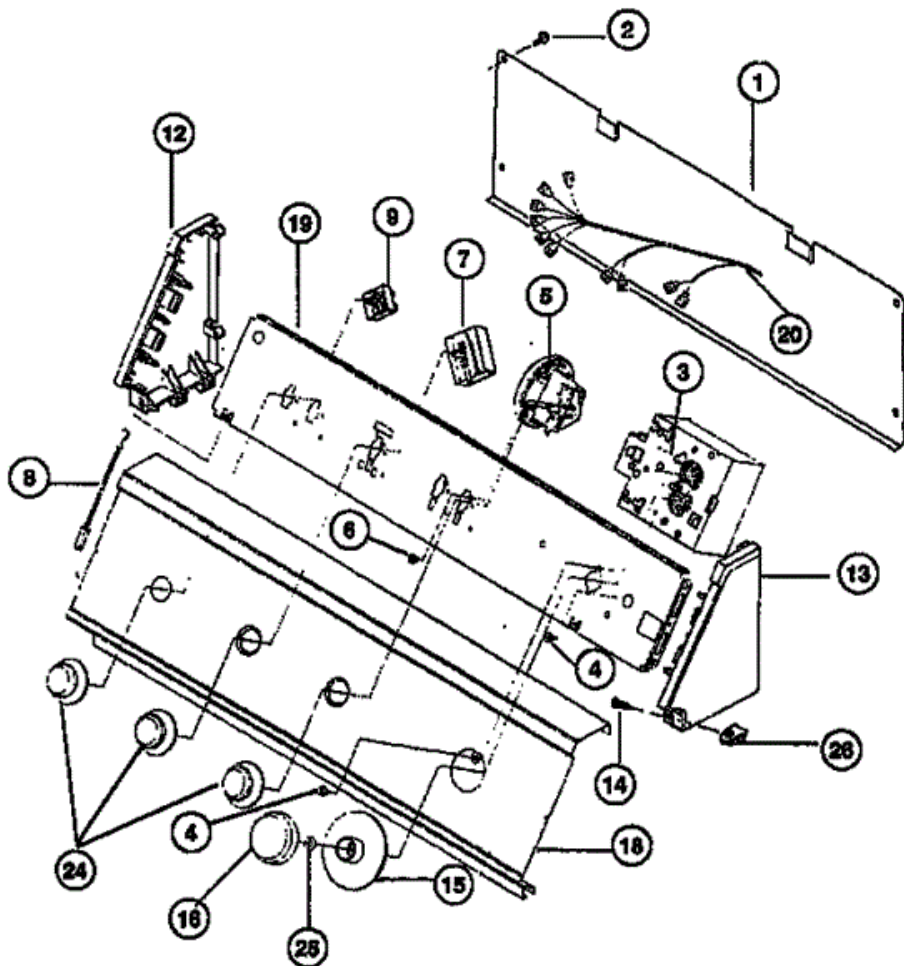
| | | |
|----|------------|-------------------------|
| 1 | 3204461 | CAP STUD |
| 2 | 3204462 | DRIVE HUB |
| 3 | 5308057580 | TRANSMISSION-COMPLETE |
| 4 | 5303161307 | UPPER LIP SEAL |
| 5 | 5303161223 | RETAINING RING |
| 7 | 5303161224 | PIPE PLUG |
| 8 | 8002804 | SCREW |
| 9 | 5308015778 | GASKET |
| 10 | 5308011268 | SECTOR GEAR |
| 11 | 5303161169 | CONNECTING ROD |
| 12 | 5308015496 | CRANK GEAR |
| 13 | 5308014905 | LOWER SHAFT ASSEMBLY |
| 14 | 5303161226 | THRUST WASHER |
| 15 | 5303161227 | DOWEL PIN |
| 16 | 5303912535 | HOUSING - POWER |
| 17 | 5303161223 | RETAINING RING |
| 18 | 5308002475 | SPACER WASHER |
| 19 | 5303161226 | THRUST WASHER |
| 20 | 5303161173 | LOWER LIP SEAL |
| 21 | 3005242 | OIL-TRANSMISSION (1 QT) |
| 22 | 5303161174 | SPRING-SMALL L.G.S. |
| 23 | 5303161175 | IDLER GEAR |
| 24 | 5308015507 | SHAFT-AGITATOR |
| 25 | 5303205527 | HOUSING-UPPER |
| 26 | 5303279394 | TUB SEAL |
| 27 | 5303161232 | THRUST WASHER |
| 28 | 5308950058 | HOUSING-BEARING |
| 29 | 5303161182 | SLEEVE-CLUTCH COIL |
| 30 | 5308057430 | WASHER-CLUTCH COIL |
| 31 | 5308015536 | RETAINING RING |
| 32 | 5303207426 | SPACER |
| 33 | 5303272073 | SLINGER |
| 34 | 5377009100 | CUSHION |

Distribuidor Autorizado

SurteRápido.com

Venta de Refacciones
Electrodomesticas

LA650AXD1 TABLERO





LA650AXD1 TABLERO

| | | |
|----|------------|--------------------|
| * | 8001689 | SCREW |
| * | 5303281035 | GROUND SCREW-BODY |
| 1 | 3205898 | BACKSHEET |
| 2 | 131052100 | SCREW |
| 3 | 5303271765 | TIMER |
| 4 | 3161188 | SCREW |
| 5 | 131047700 | SWITCH-PRESSURE |
| 6 | 5303285470 | SCREW |
| 7 | 131120400 | SWITCH - SPEED |
| 8 | 131062204 | JUMPER WIRE |
| 9 | 131081200 | SWITCH-TEMPERATURE |
| 12 | 5303291344 | END CAP-LH |
| 13 | 5303291352 | END CAP-RH |
| 14 | 5303289526 | SCREW |
| 15 | 131118500 | DIAL |
| 16 | 131118400 | KNOB-TIMER |
| 18 | 131116800 | PANEL - CONTROL |
| 19 | 5303291356 | BRACKET - CONTROLS |
| 20 | 131120500 | HARNESS |
| 24 | 131118600 | KNOB-ROTARY |
| 25 | 5308015493 | SPACER-SHAFT |
| 26 | 5300503065 | CLIP |