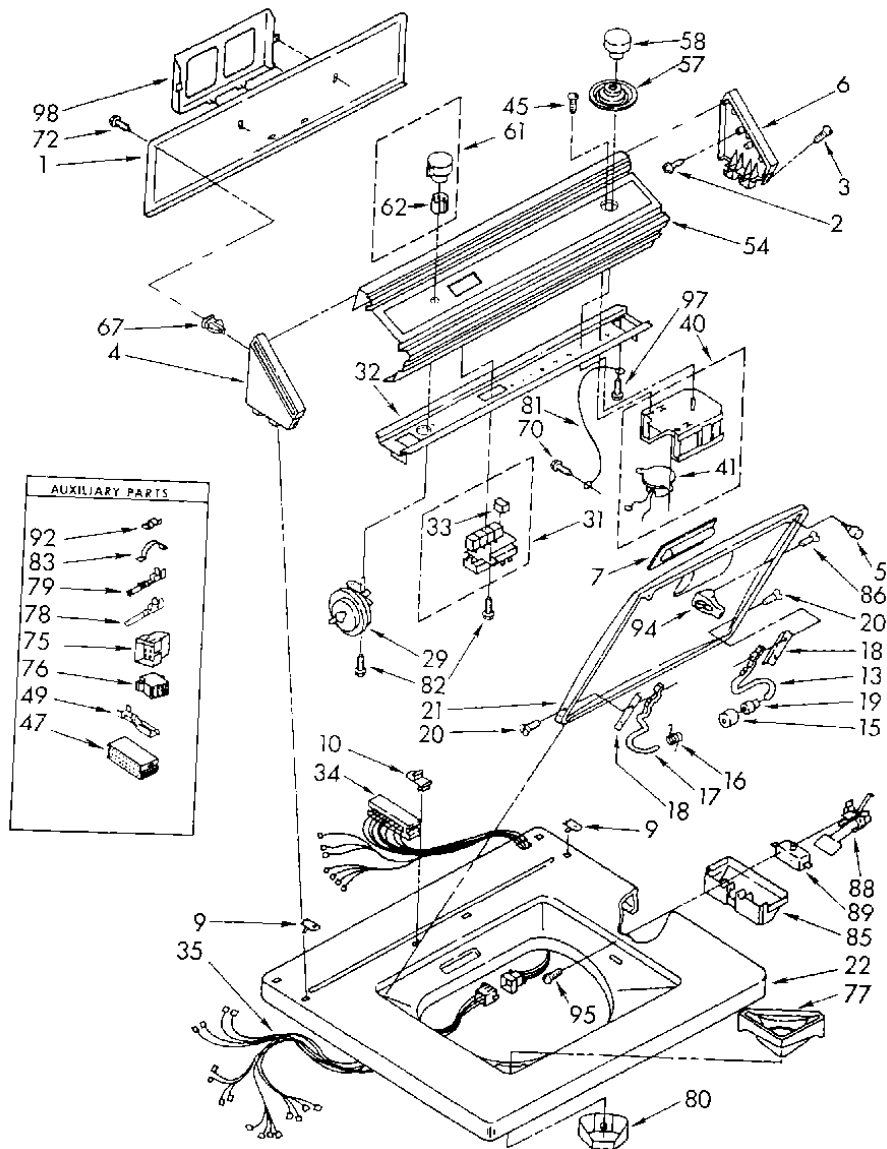


Distribuidor Autorizado

SurteRápido.com

Venta de Refacciones
Electrodomesticas

LA7800XPW0 TABLERO





LA7800XPW0 TABLERO

1	8066156	PANEL, REAR (S/P)
2	355326	SCREW, 13-16 X 5/8 (S/P)
3	64211	SCREW DESCONTINUADO
4	285653	CAP, END (L.H.) (S/P)
5	93770	BUMPER, RUBBER
6	285653	CAP, END. (R.H.) (S/P)
7	379888	HANDLE, LID (GOLDEN HARVEST) (S/P)
7	3350562	HANDLE, LID (ALMOND) (S/P)
7	379889	HANDLE, LID (WHITE) (S/P)
9	358473	NUT, PUSH-IN (2) (S/P)
10	358472	STOP, PUSH-IN TOP (1) DESCONTINUADO
13	91770	HINGE, R.H. (S/P)
15	91605	BUMPER (S/P)
16	92398	SPRING, HINGE (L.H.) DESCONTINUADO
17	95531	HINGE, L.H. DESCONTINUADO
18	21097	PAD, HINGE (S/P)
19	21258	BEARING, HINGE (S/P)
20	18724	SCREW (S/P)
21	382802	LID (WHITE) DESCONTINUADO
22	386319	TOP (WHITE) DESCONTINUADO
29	359711	SWITCH, WATER LEVEL DESCONTINUADO
31	3354237	SWITCH, WATER TEMPERATURE DESCONTINUADO
32	386364	BRACKET, CONTROL DESCONTINUADO
33	285638	PUSHBUTTON (5) (S/P)
34	387264	HARNESS, CONSOLE (S/P)
35	358116	HARNESS, BASE DESCONTINUADO
40	362681	USE W/C.C.A. TIMER DESCONTINUADO
40	365941	USE W/MALLORY TIMER DESCONTINUADO
40	660992	TIMER ASSEMBLY, 60 HZ. C.C.A.
45	96435	SCREW, 10-32 X .31 (S/P)
47	352089	BLOCK, DISCONNECT (BLACK) (S/P)
47	352090	BLOCK, DISCONNECT (WHITE) DESCONTINUADO
49	352088	TERMINAL, FEMALE (S/P)

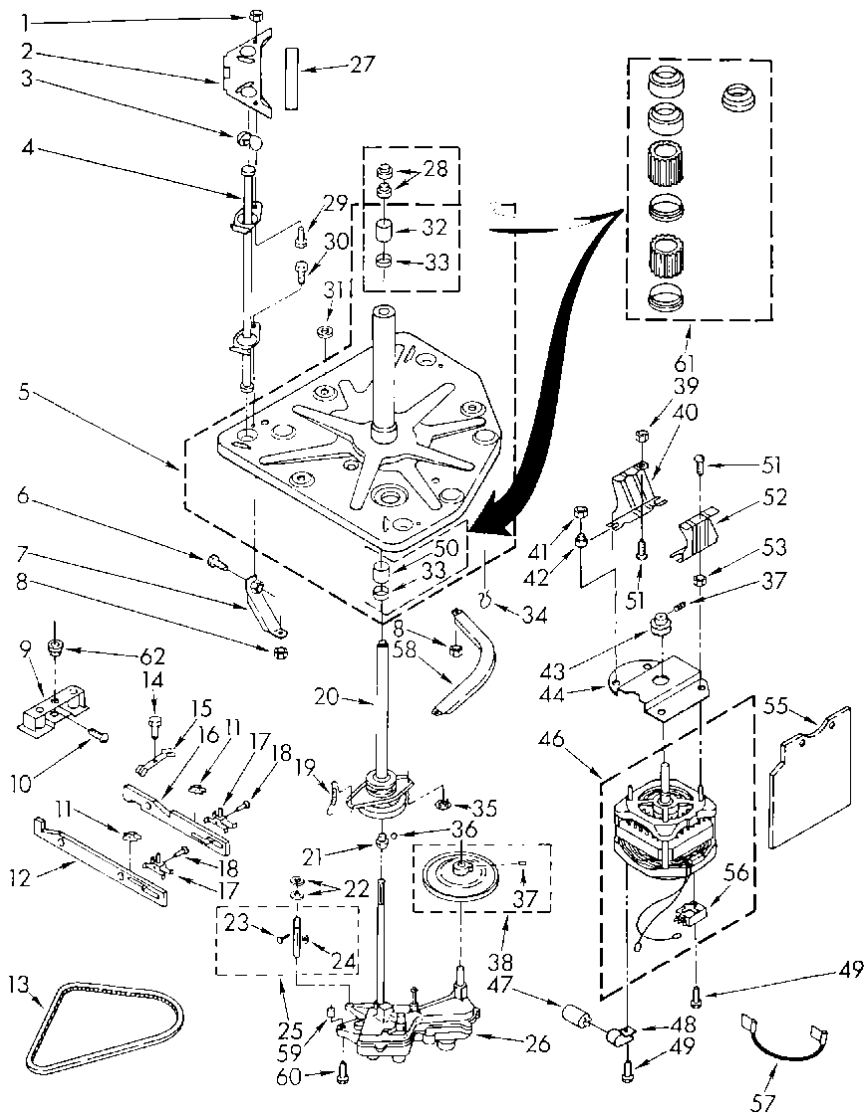
54	63671	PANEL, CONTROL DESCONTINUADO
57	387183	DIAL, TIMER DESCONTINUADO
58	3349233	KNOB, TIMER (S/P)
61	386627	KNOB ASSEMBLY, WATER LEVEL DESCONTINUADO
62	688805	CLIP, CONTROL KNOB (S/P)
67	689559	NUT, PUSH-IN (4) (S/P)
70	90864	SCREW, 10 X 3/8 (S/P)
72	359625	SCREW, 8-18 X ½ (S/P)
75	94612	CAP, TERMINAL (CONSOLE HARNESS) (S/P)
76	94611	PLUG, TERMINAL (CABINET HARNESS) (S/P)
77	352821	BEZEL, DISPENSER DESCONTINUADO
78	596797	TERMINAL, MALE (S/P)
79	94614	TERMINAL, FEMALE (S/P)
80	352827	TRAY, DISPENSER DESCONTINUADO
81	3184020	WIRE, GROUND (S/P)
82	90767	SCREW (S/P)
83	98997	CLIP, HARNESS (S/P)
85	359231	SHIELD, LID SWITCH (S/P)
86	354975	SCREW & WASHER (S/P)
88	370959	SWITCH ACTUATOR ASSEMBLY
89	279347	SWITCH, LID
92	90016	CLIP, HARNESS (S/P)
94	357633	STRIKE, LID SWITCH
95	354764	SCREW & WASHER (S/P)
97	343641	SCREW, 10-16 X 1/2 (S/P)
98	63020	RACK, LITERATURE (S/P)

Distribuidor Autorizado

SurteRápido.com

Venta de Refacciones
Electrodomesticas

LA7800XPW0 MOTOR



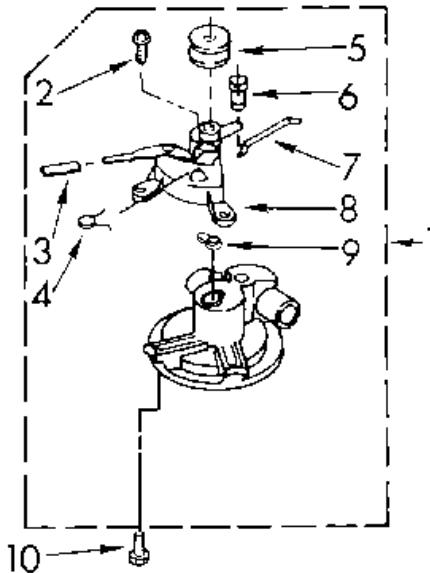


LA7800XPW0 MOTOR

1	90984	NUT, 5/16-18 (S/P)
2	352143	COVER, REAR GUSSET (2) (S/P)
2	353230	COVER, FRONT GUSSET (S/P)
3	91073	BALL, SUSPENSION (6)
4	359678	ROD, SUSPENSION (3) DESCONTINUADO
5	359721	BASEPLATE & CENTERPOST (S/P)
6	98062	SCREW (S/P)
7	350594	BRACE, BASEPLATE (S/P)
8	357732	NUT, 5/16-24 (S/P)
9	84867	MAGNET (S/P)
10	16135	SCREW, TAPER END DESCONTINUADO
11	95462	GUIDE, CAM BAR (S/P)
12	350532	CAM, BAR SPIN (S/P)
13	95405	BELT, ``V``
14	98001	SCREW, 1/4-28 X 1/2 (S/P)
15	94726	SPRING, BRAKE DESCONTINUADO
16	18642	CAM, AGITATOR & PUMP
17	350384	PLUNGER
18	285132	RIVET (S/P)
19	17261	SPRING, BRAKE YOKE (S/P)
20	285897	BASKET DRIVE & BRAKE (S/P)
21	350920	SUPPORT, SPIN TUBE (S/P)
22	90315	WASHER (2) (S/P)
23	90532	PIN, ROLL (S/P)
24	92119	ROLLER, BASKET CLUTCH SHAFT DESCONTINUADO
25	285068	SHAFT, BASKET CLUTCH
26	362901	GEARCASE
27	352434	PAD, GUSSET COVER (6) (S/P)
28	91938	SEAL, CENTERPOST (2)
29	126211	BOLT, 5/16 X 5/8 (2) DESCONTINUADO
29	126358	BOLT, 5/16 X 1 (3) DESCONTINUADO
29	353770	BOLT, SNUBBER (1) (S/P)
30	356512	BOLT, 5/16-24 DESCONTINUADO

31	17235	GASKET, TUB (7) (S/P)
32	8546455	BEARING, UPPER (1) (S/P)
33	359449	SEAL, CENTERPOST (2)
34	16515	CLIP, HARNESS (S/P)
35	356444	RETAINER, BRAKE YOKE
36	350920	BALL (S/P)
37	355345	SETSCREW, 5/16-18 X 1/2 (S/P)
38	360840	PULLEY, MAIN DRIVE
39	358160	LOCKNUT, 3/8-16 (S/P)
40	84101	BRACKET, MOTOR MOUNTING DESCONTINUADO
41	98023	NUT (4) DESCONTINUADO
42	19138	GROMMET, MOTOR BRACKET (4) DESCONTINUADO
43	357594	PULLEY, MOTOR (60 HZ.) (S/P)
44	285070	SHIELD, MOTOR (UPPER) (S/P)
46	285222	MOTOR, 60 HZ. (ALT.) (EMERSON)
47	8572717	CAPACITOR, MOTOR START (S/P)
48	357030	CLAMP, CAPACITOR (S/P)
49	9420601	SCREW, MOTOR GROUNDING (S/P)
50	285134	BEARING, LOWER
51	98537	BOLT, 3/8-16 X 3/4 DESCONTINUADO
52	84100	BRACKET, MOTOR MOUNTING DESCONTINUADO
53	95721	NUT, 3/8-16 (S/P)
55	359719	SHIELD, MOTOR (S/P)
56	359642	SWITCH, MOTOR START DESCONTINUADO
56	362738	SWITCH, MOTOR START DESCONTINUADO
57	370950	WIRE, JUMPER (S/P)
58	351499	BRACE, MOTOR (1) DESCONTINUADO
58	351500	BRACE, MANIFOLD (1) DESCONTINUADO
59	660016	SPACER, STUD & GEARCASE (S/P)
60	90877	SCREW & WASHER (S/P)
61	285134	BEARING KIT, CENTERPOST
62	385728	BUSHING, WIG WAG (S/P)

LA7800XPW0 BOMBA



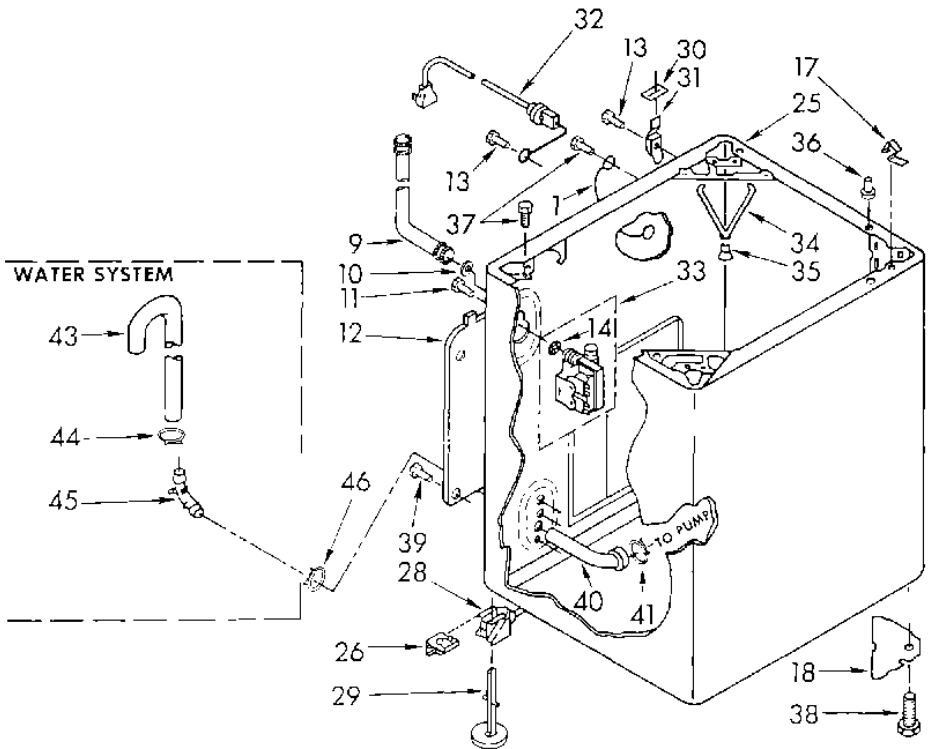
1	LP115	PUMP ASSEMBLY
2	273556	SCREW, 10-12 X 5/8
3	96175	SLEEVE DESCONTINUADO
4	96266	SPRING, TOGGLE DESCONTINUADO
5	359630	PULLEY DESCONTINUADO
6	355538	LEVER, VALVE DESCONTINUADO
7	96264	ROD, CONNECTING (S/P)
8	285282	BEARING BLOCK ASSEMBLY (S/P)
9	96265	WICK, OIL (S/P)
10	386011	SCREW, PUMP TO GEARCASE (2) (S/P)

Distribuidor Autorizado

SurteRápido.com

Venta de Refacciones
Electrodomesticas

LA7800XPW0 GABINETE

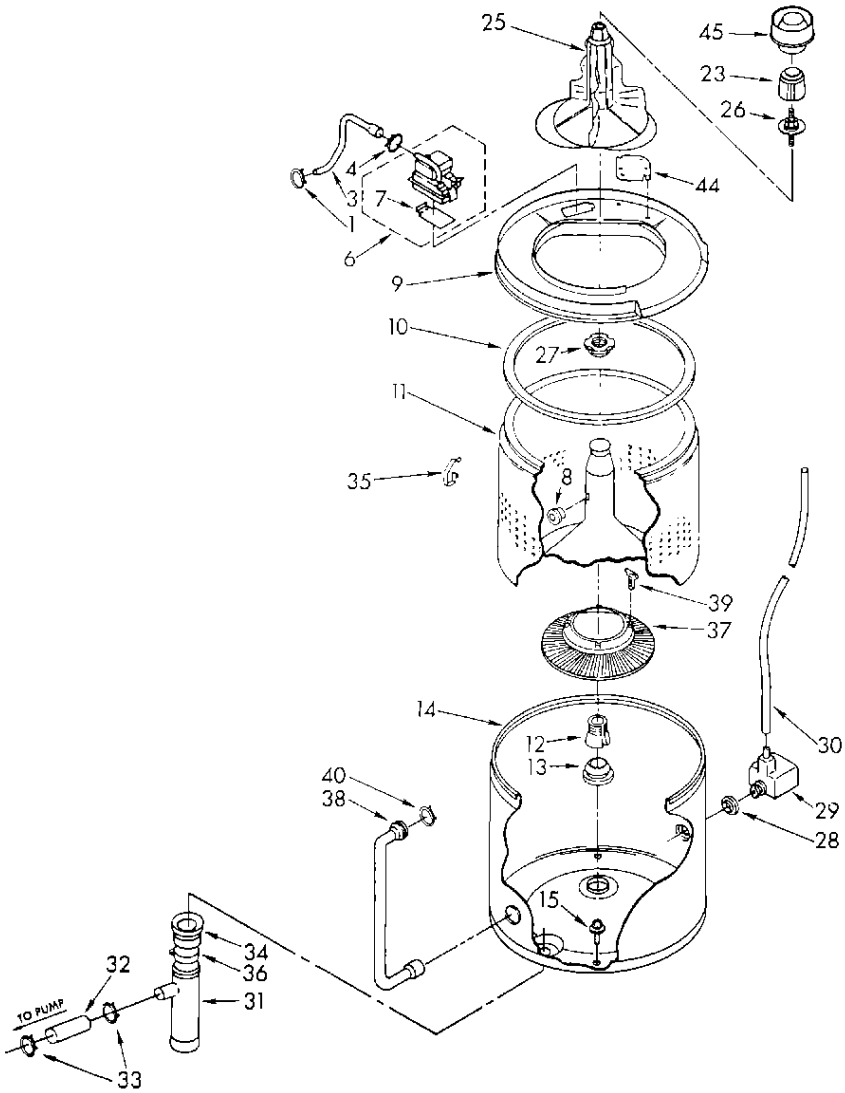




LA7800XPWO GABINETE

1	303485	WIRE, GROUND (S/P)
9	89503	HOSE, INLET (2)
10	16123	WASHER, RUBBER (2) (S/P)
11	62863	SCREW, 10-24 X 3/8 (S/P)
12	353085	PANEL, REAR DESCONTINUADO
13	343641	SCREW, 10-16 X 1/2 (S/P)
14	96160	SCREEN, FILTER (S/P)
17	18776	LOCK, FRONT TOP (2)
18	356459	PLATE, GUSSET (2) DESCONTINUADO
25	381411	CABINET (WHITE) DESCONTINUADO
26	359364	CLIP, LEVELING MECHANISM (2)
28	359059	LEVELING LINK ASSEMBLY DESCONTINUADO
29	358594	FOOT, REAR (2)
30	18849	PAD, HINGE (S/P)
31	92657	HINGE, R.H. (S/P)
32	357871	CORD, POWER (120 VOLT) (S/P)
33	358277	VALVE, MIXING
34	357977	SPRING, SNUBBER (S/P)
35	358336	SNUBBER (S/P)
36	98669	LOCATOR, TOP (2) (S/P)
37	359262	SCREW, 10-16 X 1/2 (S/P)
38	367594	FOOT, FRONT (2)
39	687128	SCREW, 10-16 X 1/2 (S/P)
40	358560	HOSE, PUMP TO CABINET (S/P)
41	285655	CLAMP, HOSE (S/P)
43	96743	HOSE, DRAIN (S/P)
44	356138	CLAMP, HOSE (S/P)
45	95440	CONNECTOR, HOSE
46	285655	CLAMP, HOSE (S/P)

LA7800XPW0 TINAS





LA7800XPW0 TINAS

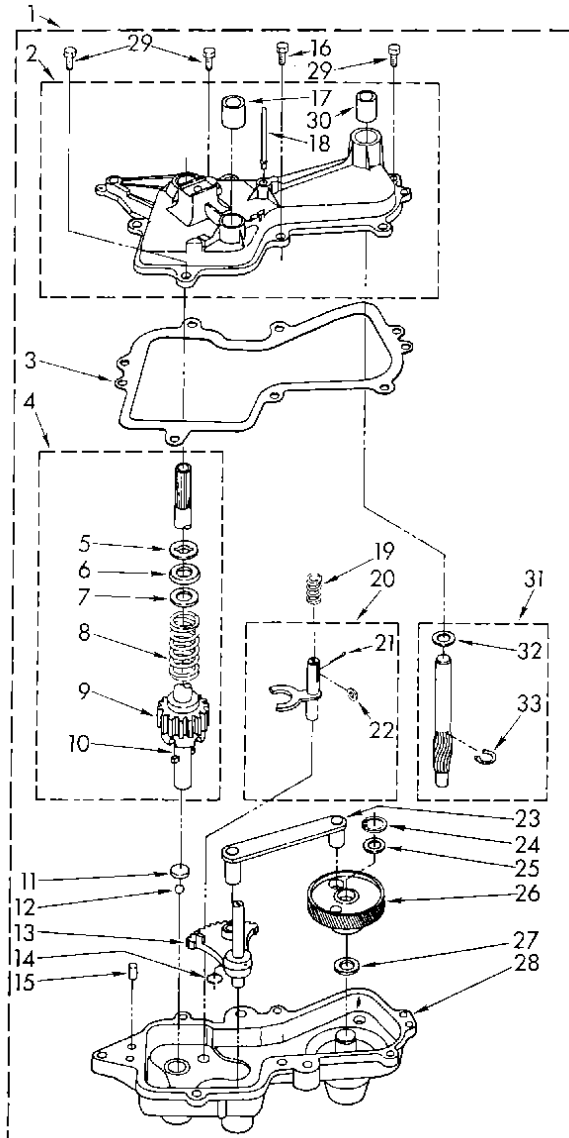
1	596669	CLAMP, HOSE (S/P)
3	356349	HOSE, WATER INLET (S/P)
4	596669	CLAMP, HOSE (S/P)
6	366072	INLET, WATER DESCONTINUADO
7	370117	FLAPPER DESCONTINUADO
8	21265	STOPPER (2) (S/P)
9	285245	RING, TUB (INCLUDES ILLUS. 44) DESCONTINUADO
10	383553	SEAL, TUB RING (S/P)
11	384691	BASKET (S/P)
12	389140	BLOCK, DRIVE
13	383727	GASKET, CENTERPOST
14	3954025	TUB (S/P)
15	76673	SCREW & WASHER, TUB (4)
23	285285	CAP, AGITATOR
25	383951	AGITATOR ASSEMBLY DESCONTINUADO
26	285284	STUD AND SEAL ASSEMBLY DESCONTINUADO
27	21366	LOCKNUT
28	351830	SEAL (S/P)
29	350553	AIR DOME ASSEMBLY
30	353244	HOSE, PRESSURE SWITCH
31	84091	MANIFOLD
32	92231	HOSE, PUMP TO MANIFOLD DESCONTINUADO
33	285655	CLAMP, HOSE (S/P)
34	93553	HOSE, TUB OUTLET
35	359763	CLIP, TUB RING (4)
36	596678	CLIP, HOSE DESCONTINUADO
37	285276	FILTER, ELEMENT (INCLUDES ILLUS. 39)
38	352978	HOSE, DISPENSER DESCONTINUADO
39	285373	CLIP, FILTER ELEMENT (4) (S/P)
40	596669	CLAMP, HOSE (S/P)
44	355852	PLATE, SNUBBER DESCONTINUADO
45	350415	DISPENSER, RINSE

Distribuidor Autorizado

SurteRápido.com

Venta de Refacciones
Electrodomesticas

LA7800XPW0 TRANSMISION





LA7800XPW0 TRANSMISION

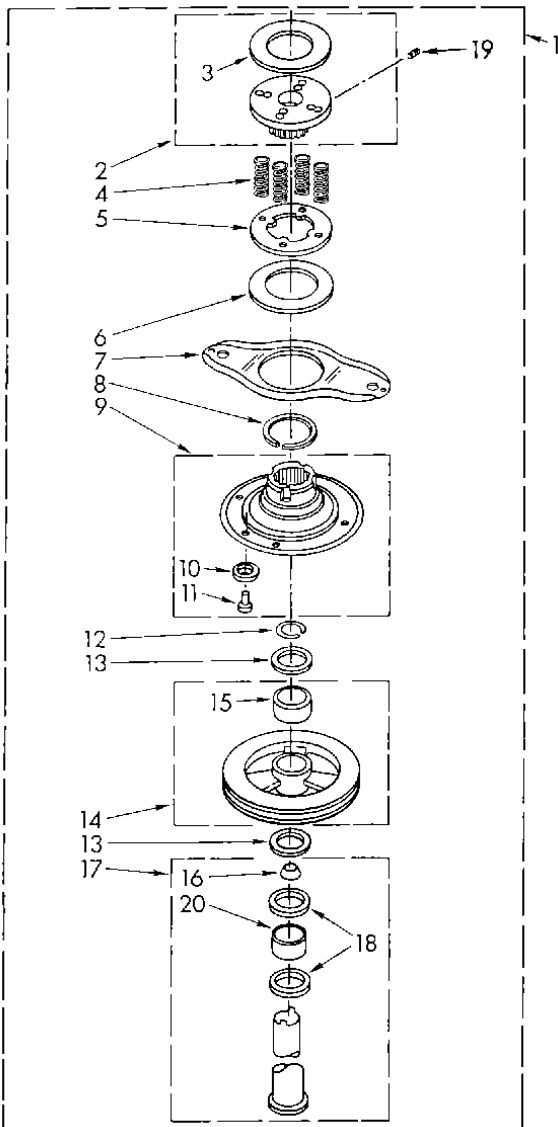
1	362901	GEARCASE (COMPLETE)
2	350659	COVER, GEARCASE (S/P)
3	95089	GASKET, GEARCASE
4	285037	SHAFT, AGITATOR DESCONTINUADO
5	350920	RING, RETAINER (S/P)
6	285672	SEAL, AGITATOR SHAFT
7	285672	SHIELD, AGITATOR SPRING
8	285672	SPRING, AGITATOR SHAFT
9	355469	GEAR, AGITATOR SHAFT (S/P)
10	285036	SHAFT, AGITATOR
11	285205	BEARING, AGITATOR THRUST
12	285205	BALL, AGITATOR SHAFT
13	75073	GEAR, SECTOR
14	52083	RING, RETAINER DESCONTINUADO
15	775596	PIN, DOWEL (S/P)
16	356599	BOLT, 5/16-24 X 3/4 (4) (S/P)
17	660883	BEARING, GEAR FORK (S/P)
18	350647	SUPPORT, BRAKE SHOE YOKE (S/P)
19	16015	SPRING, GEAR FORK SHAFT
20	80398	FORK, AGITATOR GEAR DESCONTINUADO
21	90532	PIN, GEAR FORK SHAFT (S/P)
22	92119	ROLLER, GEAR FORK SHAFT DESCONTINUADO
23	76577	ROD, CONNECTING DESCONTINUADO
24	285765	RING, RETAINING
25	95083	WASHER, RETAINER (S/P)
26	353397	GEAR, MAIN DRIVE (S/P)
27	363362	WASHER, THRUST (S/P)
28	362906	GEARCASE (S/P)
29	356512	BOLT, 5/16-24 X 1-1/8 (3) DESCONTINUADO
30	354513	BEARING, DRIVE PINION
31	84467	PINION, DRIVE
32	16024	WASHER, DRIVE PINION (S/P)
33	90369	RING, RETAINER

Distribuidor Autorizado

SurteRápido.com

Venta de Refacciones
Electrodomesticas

LA7800XPW0 FLECHA HUECA

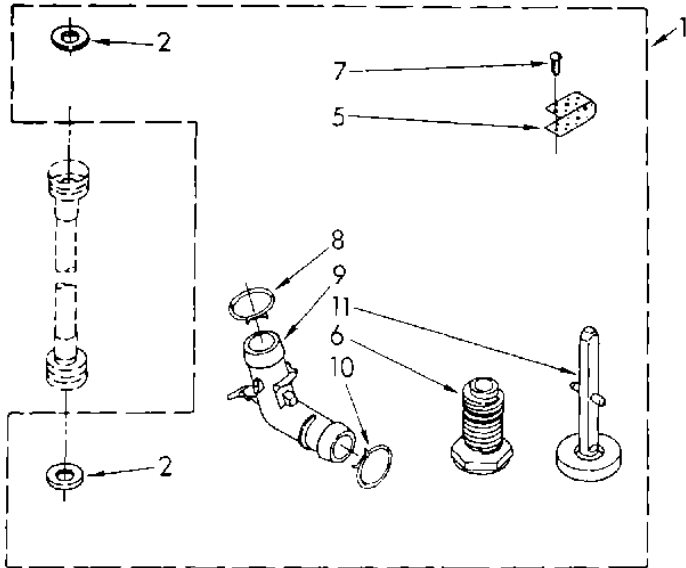




LA7800XPW0 FLECHA HUECA

1	285897	BASKET DRIVE & BRAKE (S/P)
2	350522	DRUM, BRAKE (UPPER)
3	354550	LINING, BASKET BRAKE (UPPER)
4	354275	SPRING, BASKET DRIVE (GREEN) (4)
5	97664	DRUM, BRAKE (LOWER)
6	354244	LINING, BASKET BRAKE (LOWER)
7	92903	YOKE, BRAKE (S/P)
8	16049	RING, SNAP DESCONTINUADO
9	357155	PLATE & LINING, BASKET DRIVE DESCONTINUADO
10	350523	LINING, BASKET DRIVE (SET OF 3) (S/P)
11	90683	EYELET (3) (S/P)
12	90368	RING, RETAINING
13	353320	WASHER, THRUST (2) (S/P)
14	364032	PULLEY, BASKET DRIVE (S/P)
15	16033	BEARING, DRIVE PULLEY
16	91939	SEAL. OIL
17	285896	DRIVE TUBE & BEARING, BASKET
18	356427	SEAL, DRIVE TUBE
19	356057	SET SCREW, 5/16-18X 13/16 (S/P)
20	356937	SPACER, AGITATOR SHAFT

LA7800XPW0 PATA





LA7800XPW0 PATA

1	375976	MISCELLANEOUS PARTS BAG DESCONTINUADO
2	16123	WASHER, INLET HOSE (1-1/16 X 5/8) (4) (S/P)
5	22965	STRAP, GROUND (S/P)
6	367594	FOOT, FRONT (2) (S/P)
8	356138	CLAMP, HOSE (S/P)
9	95440	CONNECTOR, HOSE
10	285655	CLAMP, HOSE (S/P)
11	358594	FOOT, REAR (2)