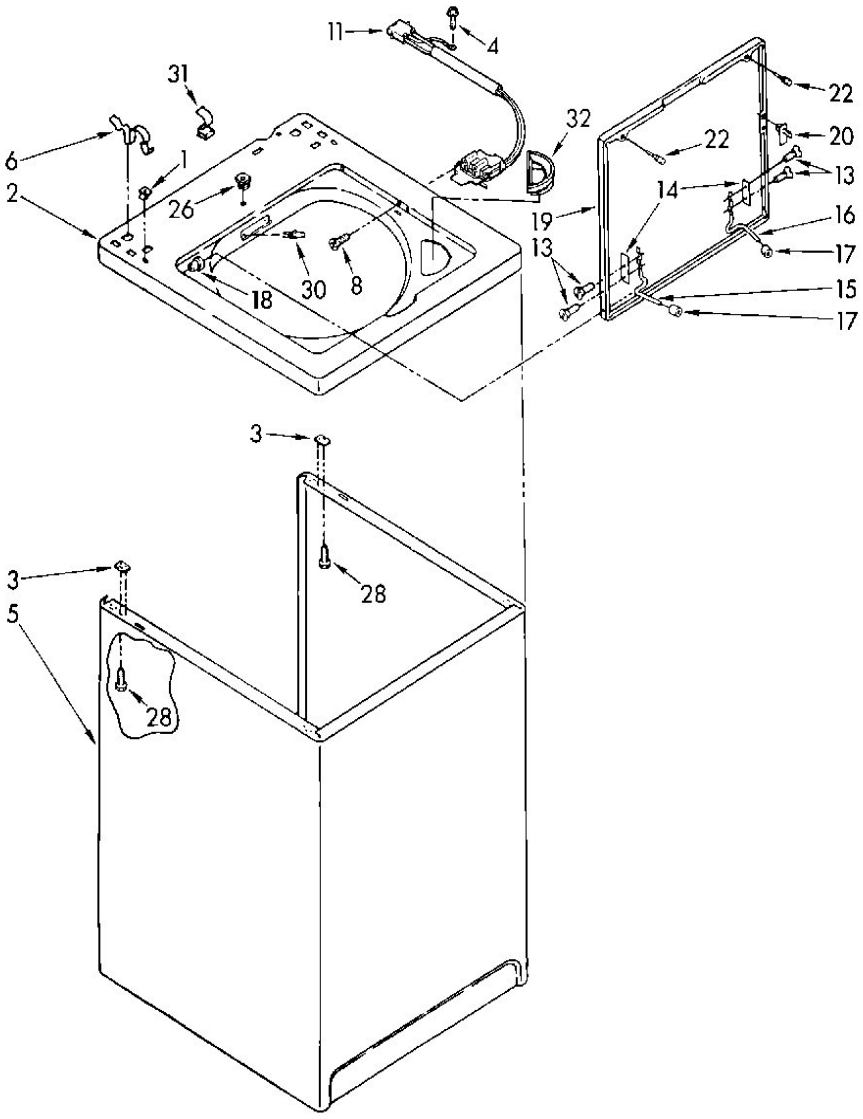


**LA7800XTN1 GABINETE**





## LA7800XTN1 GABINETE

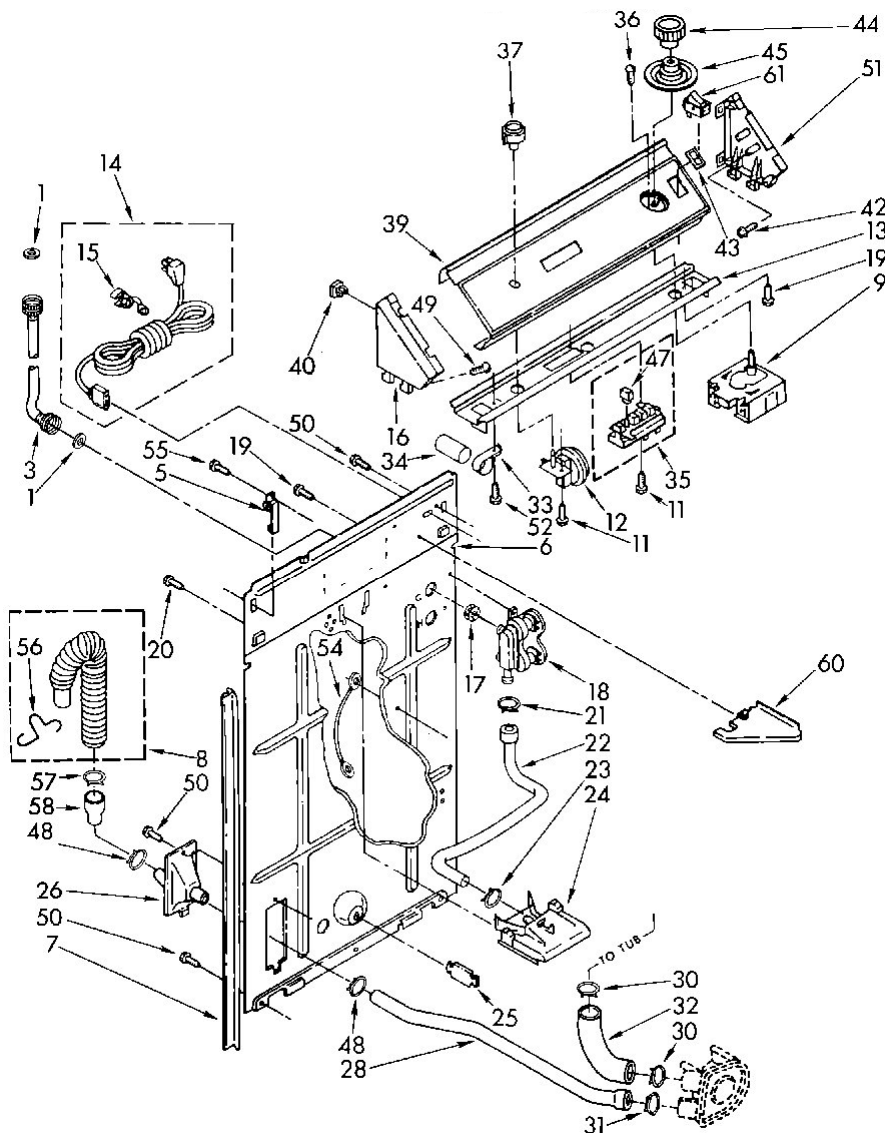
1	358473	NUT, PUSH-IN (2) (S/P)
2	388355	TOP (GOLDEN HARVEST) (S/P)
2	3359083	TOP (WHITE) (S/P)
2	3359084	TOP (ALMOND) (S/P)
2	388353	TOP (TOAST) (S/P)
2	388354	TOP (PLATINUM) (S/P)
3	62750	SPACER, CABINET TO TOP (4) (S/P)
4	687128	SCREW, 10-16 X 1/2 (S/P)
5	63424	CABINET (WHITE) (S/P)
5	63425	CABINET (ALMOND)
5	63426	CABINET (TOAST) (S/P)
5	63427	CABINET (PLATINUM) (S/P)
5	63428	CABINET (GOLDEN HARVEST) (S/P)
6	62780	CLIP, TOP & CABINET & REAR PANEL (2)
8	3356311	SCREW & WASHER, LID SWITCH (2) (S/P)
11	285671	SWITCH, LID
13	3351355	SCREW, LID HINGE MOUNTING (4) (S/P)
14	21097	PAD, LID HINGE (2) (S/P)
15	54584	HINGE, LID (L.H.) (S/P)
16	54583	HINGE, LID (R.H.) (S/P)
17	19119	BUMPER, LID HINGE (S/P)
18	21258	BEARING, LID HINGE (2) (S/P)
19	3957563	LID (WHITE) (S/P)
19	3354572	LID (TOAST) (S/P)
19	3354573	LID (PLATINUM) (S/P)
19	285881	LID (GOLDEN HARVEST) (S/P)
19	3957564	LID (ALMOND) (S/P)
20	358684	STRIKE, LID SWITCH
22	93770	BUMPER, LID (2)
26	358472	<b>DESCONTINUADO</b>
30	354239	RIVET, SERIAL NAMEPLATE (S/P)
31	90016	CLIP, HARNESS (S/P)
32	3362952	DISPENSER, BLEACH

Distribuidor Autorizado

SurteRápido.com

Venta de Refacciones  
Electrodomesticas

# LA7800XTN1 TABLERO



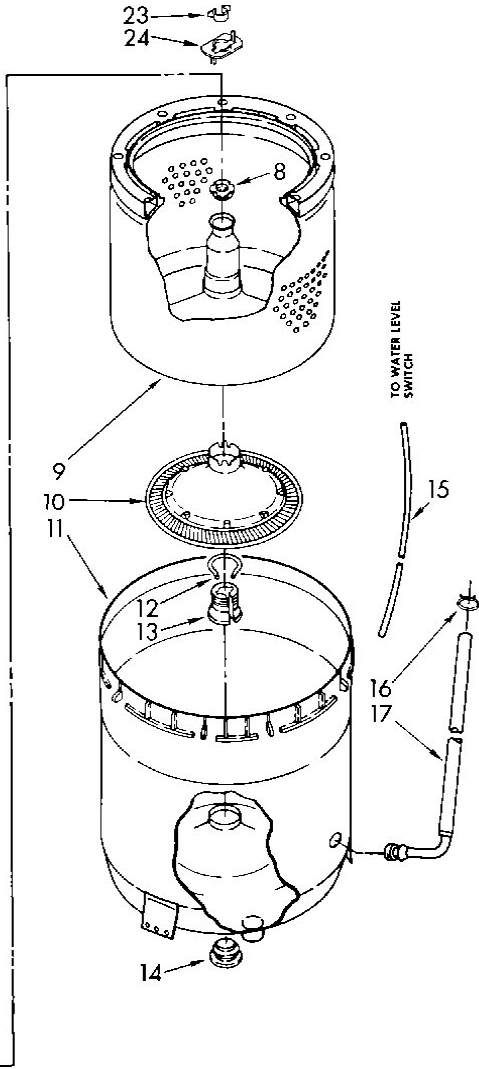
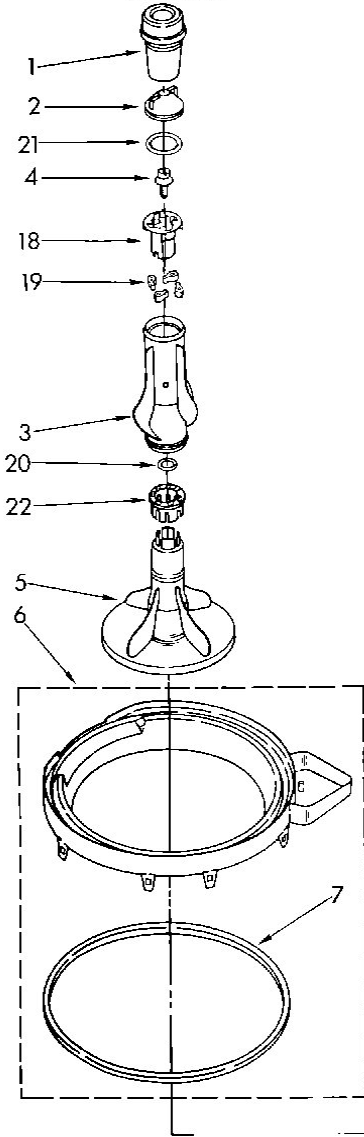


## LA7800XTN1 TABLERO

1	16123	WASHER, WATER INLET HOSE (4) <b>(S/P)</b>
3	89503	HOSE, WATER INLET (2)
5	387402	HINGE, CONSOLE (2)
6	285931	PANEL, REAR <b>(S/P)</b>
7	62747	PAD, REAR PANEL <b>(S/P)</b>
8	285664	HOSE, CORRUGATED PLASTIC DRAIN
8	285666	HOSE, CORRUGATED PLASTIC DRAIN <b>(S/P)</b>
9	3351744	TIMER, CONTROL (60 HZ.) <b>(S/P)</b>
11	90767	SCREW, 8A X 3/8 <b>(S/P)</b>
12	64103	SWITCH, WATER LEVEL
13	63687	BRACKET, CONTROL <b>(S/P)</b>
14	285871	CORD, POWER
15	63848	STRAIN RELIEF, POWER CORD
16	285653	CAP, END (L.H.)
17	96160	SCREEN, FILTER (2) <b>(S/P)</b>
18	285805	VALVE, WATER MIXING
19	90864	SCREW, 10-24 X 3/8 (2) <b>(S/P)</b>
20	690989	SCREW, GROUND (10-32 X 1/2) <b>(S/P)</b>
21	596669	CLAMP, HOSE <b>(S/P)</b>
22	3357328	HOSE, VACUUM BREAK
23	596669	CLAMP, HOSE <b>(S/P)</b>
24	3360977	BREAK, VACUUM
25	8519200	SUPPORT, REAR PANEL
26	3976399	CONNECTOR, DRAIN HOSE
28	3348552	HOSE, PUMP TO DRAIN CONNECTOR
30	371502	CLAMP, HOSE <b>(S/P)</b>
31	285655	CLAMP, HOSE <b>(S/P)</b>
32	285871	HOSE, PUMP TO TUB
33	357030	CLAMP, CAPACITOR <b>(S/P)</b>
34	8572717	CAPACITOR, MOTOR START <b>(S/P)</b>
35	3354237	<b>DESCONTINUADO</b>
36	96435	SCREW, TIMER MOUNTING (10-32 X 1) (2) <b>(S/P)</b>
37	386636	KNOB, WATER LEVEL

39	3347990	<b>DESCONTINUADO</b>
40	689559	NUT, PUSH-IN (2) <b>(S/P)</b>
42	355326	SCREW, 13-16 X 5/8 (4) <b>(S/P)</b>
43	3348392	GASKET, SWITCH <b>(S/P)</b>
44	3349233	KNOB, TIMER
45	64138	DIAL, TIMER
47	3354108	BUTTON, WATER TEMPERATURE PUSH (5) <b>(S/P)</b>
48	356138	CLAMP, HOSE <b>(S/P)</b>
49	64211	SCREW, 8-18 (2) (PANEL TO TOP) <b>(S/P)</b>
50	62863	SCREW, 10-16 X 3/8 <b>(S/P)</b>
51	285653	CAP, END. (R.H.)
52	343641	SCREW, 10-16 X 1/2 <b>(S/P)</b>
54	303485	WIRE, GROUND <b>(S/P)</b>
55	3393008	SCREW, HINGE TO REAR PANEL <b>(S/P)</b>
56	3350222	RETAINER, WIRE
57	616099	CLAMP, HOSE <b>(S/P)</b>
58	384496	COUPLING, HOSE
60	8539874	SHEILD, SUDS <b>(S/P)</b>
61	661524	SWITCH, SECOND RINSE

**LA7800XTN1 TINA**

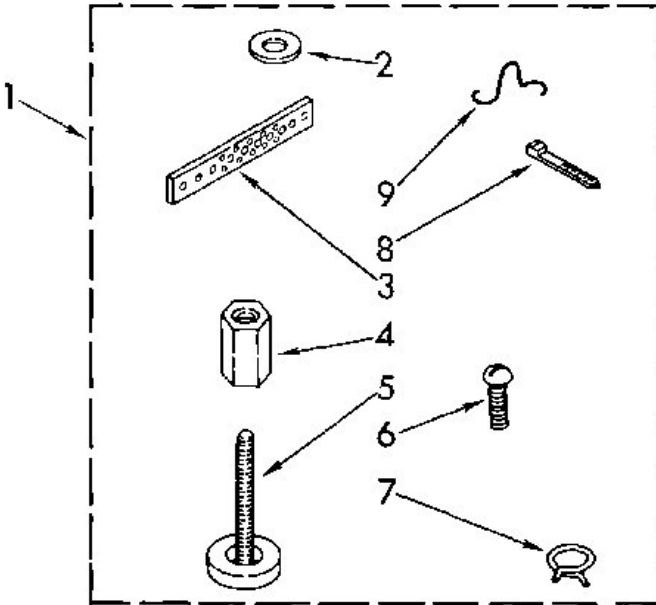




LA7800XTN1 TINA

1	63580	DISPENSER, FABRIC SOFTENER
2	285551	CAP, BARRIER
3	3348752	CLOTHES MOVER
4	358237	SCREW AND WASHER
5	3347288	AGITATOR
6	8528150	TUB RING
7	3976308	GASKET, TUB RING
8	21366	NUT, SPANNER
9	8526016	BASKET (S/P)
10	285868	FILTER, PLATE (INCL. ILLUS. 12)
11	3361596	TUB (S/P)
12	62942	LOCK, FILTER (S/P)
13	389140	BLOCK, DRIVE
14	383727	GASKET, CENTER POST
15	353244	HOSE, PRESSURE SWITCH
16	596669	CLAMP, HOSE (S/P)
17	63323	<b>DESCONTINUADO</b>
18	285811	CAM DRIVEN
19	285770	DOG, AGITATOR CLUTCH
20	357574	SEAL, AGITATOR
21	3348855	SEAL, INNER CAP
22	285587	SPACER, THRUST
23	3354845	CLIP, AGITATOR (S/P)
24	3355921	WASHER, AGITATOR (S/P)

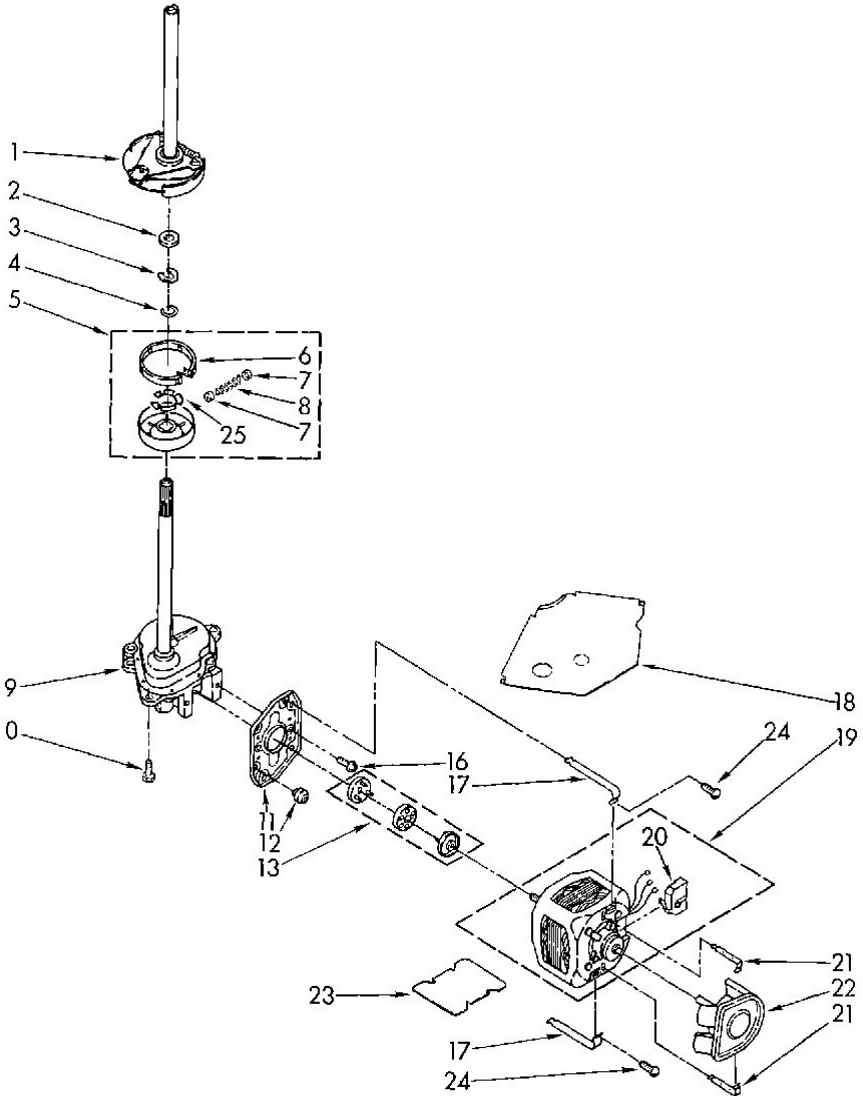
**LA7800XTN1 PATA**



1	285609	MISCELLANEOUS PARTS BAG (S/P)
2	16123	WASHER, INLET HOSE (1-1/16 X 5/8) (4) (S/P)
3	22965	STRAP, GROUND (S/P)
4	62739	NUT, LOCK (2) (3/8-16)
5	389102	FOOT, FRONT (2)
6	132848	SCREW, GROUND (10-24 X 1) (S/P)
7	356138	CLAMP, HOSE (S/P)
8	3347868	CABLE TIE (S/P)
9	3350222	RETAINER, DRAIN HOSE



**LA7800XTN1 MOTOR**





## LA7800XTN1 MOTOR

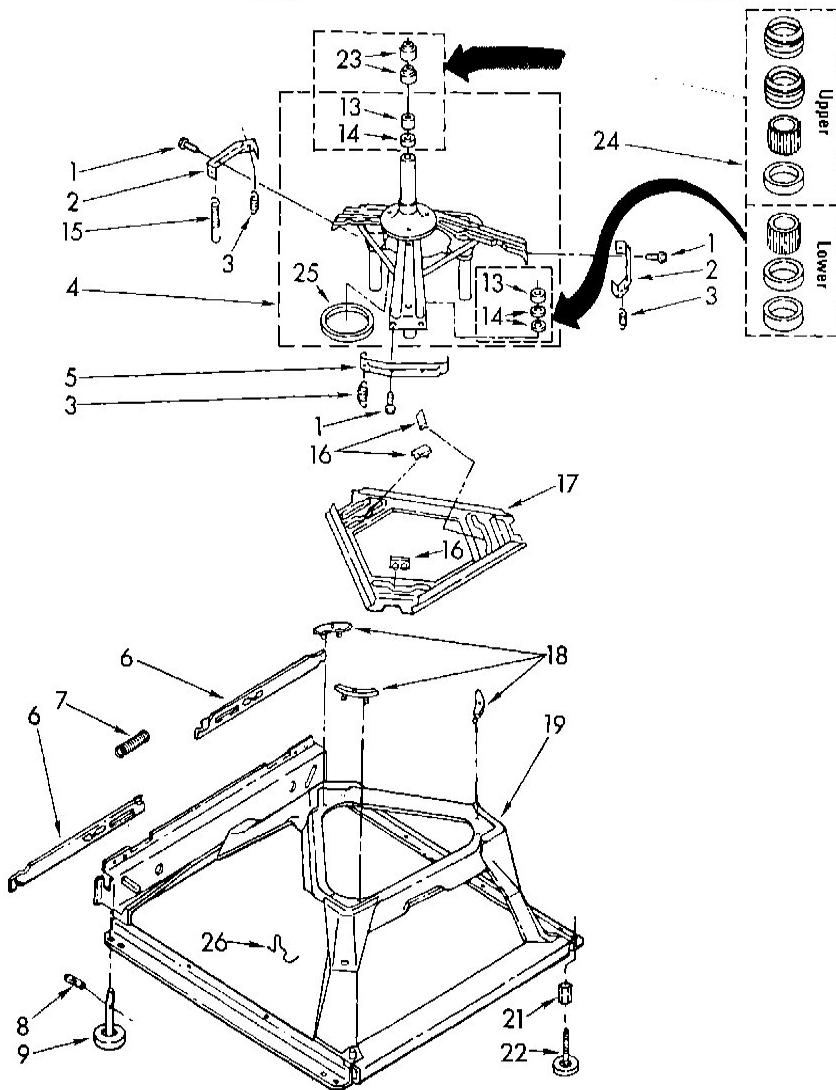
1	285792	BRAKE & DRIVE TUBE (COMPLETE)
2	63292	WASHER, SPIN TUBE THRUST
3	62697	RING, SPIN TUBE SUPPORT
4	285353	RING, RETAINER
5	285785	CLUTCH (COMPLETE)
6	285790	BAND & LINING, CLUTCH
7	62646	CAP, CLUTCH SPRING (2) <b>(S/P)</b>
8	285790	SPRING, CLUTCH
9	3360629	GEARCASE (COMPLETE)
10	62735	SCREW, GEARCASE TO BASE (3) <b>(S/P)</b>
11	62611	PLATE, MOTOR MOUNT TO GEARCASE
12	62691	GROMMET, MOTOR (4)
13	285753	COUPLING, MOTOR AND ISOLATION
16	98062	SCREW, 5/16-24 X 5/8 (2) <b>(S/P)</b>
17	3349637	RETAINER, MOTOR (2)
18	3362089	SHIELD, TUB TO MOTOR <b>(S/P)</b>
19	389248	MOTOR, MAIN DRIVE
20	8529896	SWITCH, MAIN DRIVE MOTOR
21	62700	RETAINER, PUMP (2)
22	3363394	PUMP (COMPLETE)
23	3946532	SHIELD, MOTOR <b>(S/P)</b>
24	357640	SCREW, 10-16X 5/8 (2) <b>(S/P)</b>
25	3355454	CLIP, ANTI-RATTLE <b>(S/P)</b>

Distribuidor Autorizado

SurteRápido.com

Venta de Refacciones  
Electrodomesticas

# LA7800XTN1 BASE

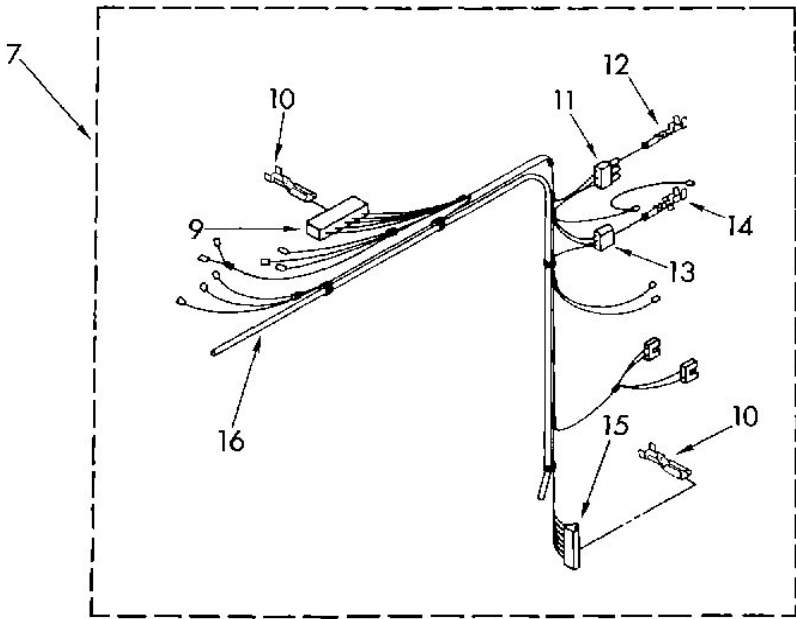
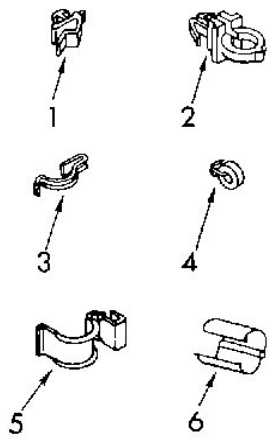




**LA7800XTN1 BASE**

1	98610	SCREW, BRACKET MOUNTING (10-16 X 5/8) (6) <b>(S/P)</b>
2	64067	BRACKET, SPRING OUTER (2)
3	63907	SPRING, SUSPENSION (3)
4	280184	SUPPORT & BRAKE, TUB
5	64065	BRACKET, SPRING OUTER (L.F.)
6	63466	LINK, LEVELING MECHANISM (2)
7	8316845	SPRING, LEVELING MECHANISM
8	62837	PIN, KNURLED <b>(S/P)</b>
9	285244	FOOT, REAR (2)
13	8546455	BEARING, CENTERPOST (2) <b>(S/P)</b>
14	359449	SEAL, CENTERPOST (3)
15	388492	SPRING, COUNTERWEIGHT
16	285219	PAD, PLATE
17	3946509	PLATE, SUSPENSION (INCLUDES ILLUS. 16)
18	285744	PAD, BASE
19	285771	BASE ASSEMBLY
21	62739	NUT, LOCK (3/8-16) (2)
22	389102	FOOT, FRONT (2)
23	91938	SEAL, CENTERPOST (2)
24	285203	CENTERPOST BEARING KIT
25	63134	RING, SOUND DEADENING
26	63806	RETAINER, SUSPENSION SPRING

**LA7800XTN1 HARNES**

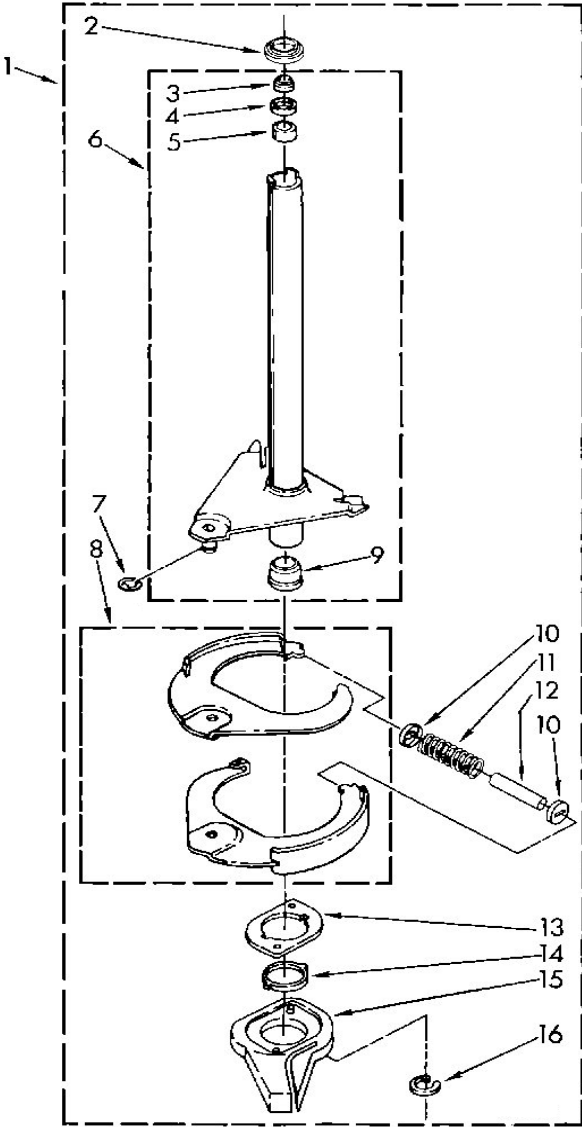




## LA7800XTN1 HARNES

1	62732	CLIP, HARNESS (S/P)
2	388498	<b>DESCONTINUADO</b>
3	98997	CLIP, HARNESS (S/P)
4	3348535	CLIP, HARNESS (3) (S/P)
5	90016	CLIP, HARNESS (S/P)
6	63523	PROTECTOR, HARNESS (S/P)
7	3358702	<b>DESCONTINUADO</b>
9	352089	BLOCK, DISCONNECT (BLACK) (TIMER) (S/P)
10	352088	TERMINAL, FEMALE (S/P)
11	62889	RECEPTACLE, TERMINAL (3-WAY) (LID SWITCH) (S/P)
12	94614	TERMINAL, FEMALE (S/P)
13	353424	PLUG, TERMINAL (3-WAY) (POWER CORD) (S/P)
14	596797	TERMINAL, MALE (S/P)
15	62505	BLOCK, DISCONNECT (MOTOR) (S/P)
16	353244	HOSE, PRESSURE SWITCH

**LA7800XTN1 FLECHA HUECA**





## LA7800XTN1 FLECHA HUECA

1	285792	BRAKE AND DRIVE TUBE (COMPLETE)
2	62658	RING, THRUST
3	91939	SEAL. OIL
4	356427	SEAL, DRIVE TUBE
5	356937	SPACER, DRIVE TUBE
6	64208	TUBE, BASKET DRIVE
7	64035	RING, RETAINING <b>(S/P)</b>
8	285438	SHOE, BRAKE
9	62703	``T`` BEARING, SPIN TUBE
10	285658	CAP, BRAKE SPRING (2) <b>(S/P)</b>
11	387806	SPRING, BRAKE
12	285658	SLEEVE, BRAKE SPRING <b>(S/P)</b>
13	661516	CAM, BRAKE RELEASE
14	63022	<b>DESCONTINUADO</b>
15	64194	DRIVER, BRAKE CAM
16	90368	RING, RETAINING
16	285208	LUBRICANT <b>(S/P)</b>

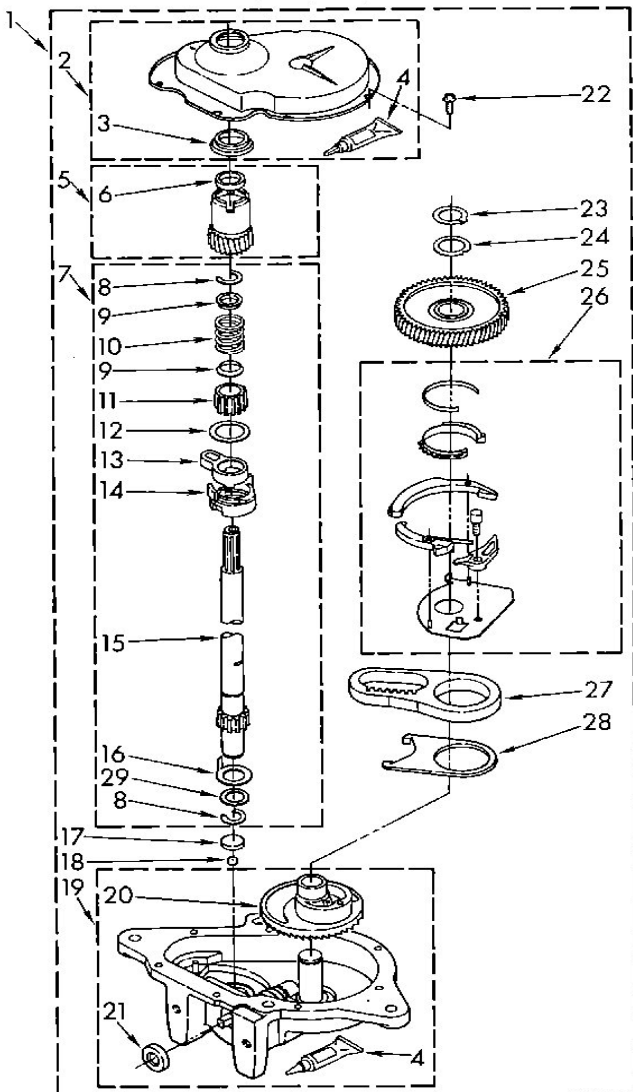


Distribuidor Autorizado

SurteRápido.com

Venta de Refacciones  
Electrodomesticas

# LA7800XTN1 TRANSMISION

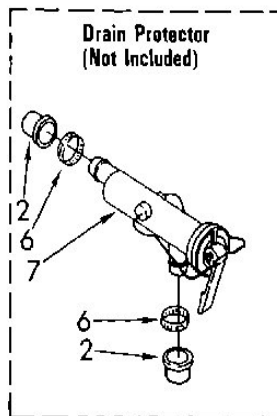
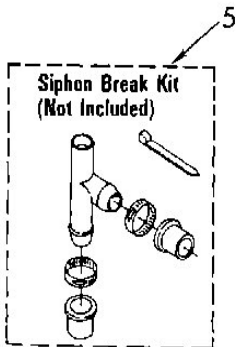
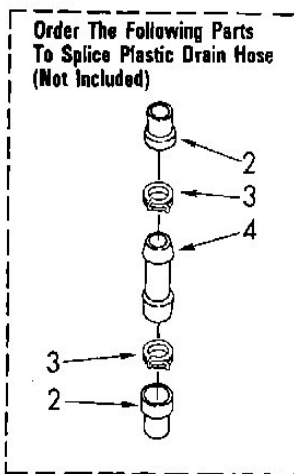




## LA7800XTN1 TRANSMISION

1	3360629	GEARCASE (COMPLETE)
2	285202	COVER, GEARCASE (S/P)
3	3349985	SEAL, GEARCASE COVER
4	285195	SEALER, GASKET (.20 FL. OZ.) (6 ML)
5	285362	PINION, SPIN (INCLUDES ILLUS. 25)
6	356427	SEAL, SPIN PINION
7	389387	SHAFT, AGITSTOR (COMPLETE)
8	90369	RING, RETAINING (2)
9	62677	RETAINER, SPRING (2)
10	62676	SPRING, AGITATOR
11	285509	<b>DESCONTINUADO</b>
12	62619	WASHER, AGITATOR GEAR (S/P)
13	285206	FOLLOWER, CAM
14	285206	CAM, AGITATOR
15	389231	SHAFT, AGITATOR
16	62618	WASHER, CAM THRUST
17	285205	BEARING, THRUST
18	285205	BALL, BEARING
19	285515	BOTTOM AND PINION, GEARCASE (S/P)
20	285515	GEAR, MAIN DRIVE (S/P)
21	285352	SEAL, THRUST PLUG
22	90864	SCREW, GEARCASE COVER MOUNTING (8) (S/P)
23	285765	RING, RETAINING
24	285735	WASHER KIT, THRUST
25	285362	GEAR, SPIN
26	388253	NEUTRAL ASSEMBLY
27	3949609	RACK, CONNECTING
28	62621	ACTUATOR, SHIFT
29	388815	WASHER, INTERMEDIATE (S/P)

**LA7800XTN1 SISTEMA DE AGUA**



1	285442	CONNECTOR KIT, PLASTIC DRAIN HOSE (S/P)
2	285321	SLEEVE KIT, (CONTAINS 2 SLEEVES) (S/P)
3	285655	CLAMP, HOSE (S/P)
4	16272	CONNECTOR, STRAIGHT (S/P)
5	285320	SIPHON BREAK KIT (NOT INCLUDED) (S/P)
6	285655	CLAMP, HOSE (S/P)
7	367031	DRAIN PROTECTOR (NOT INCLUDED)