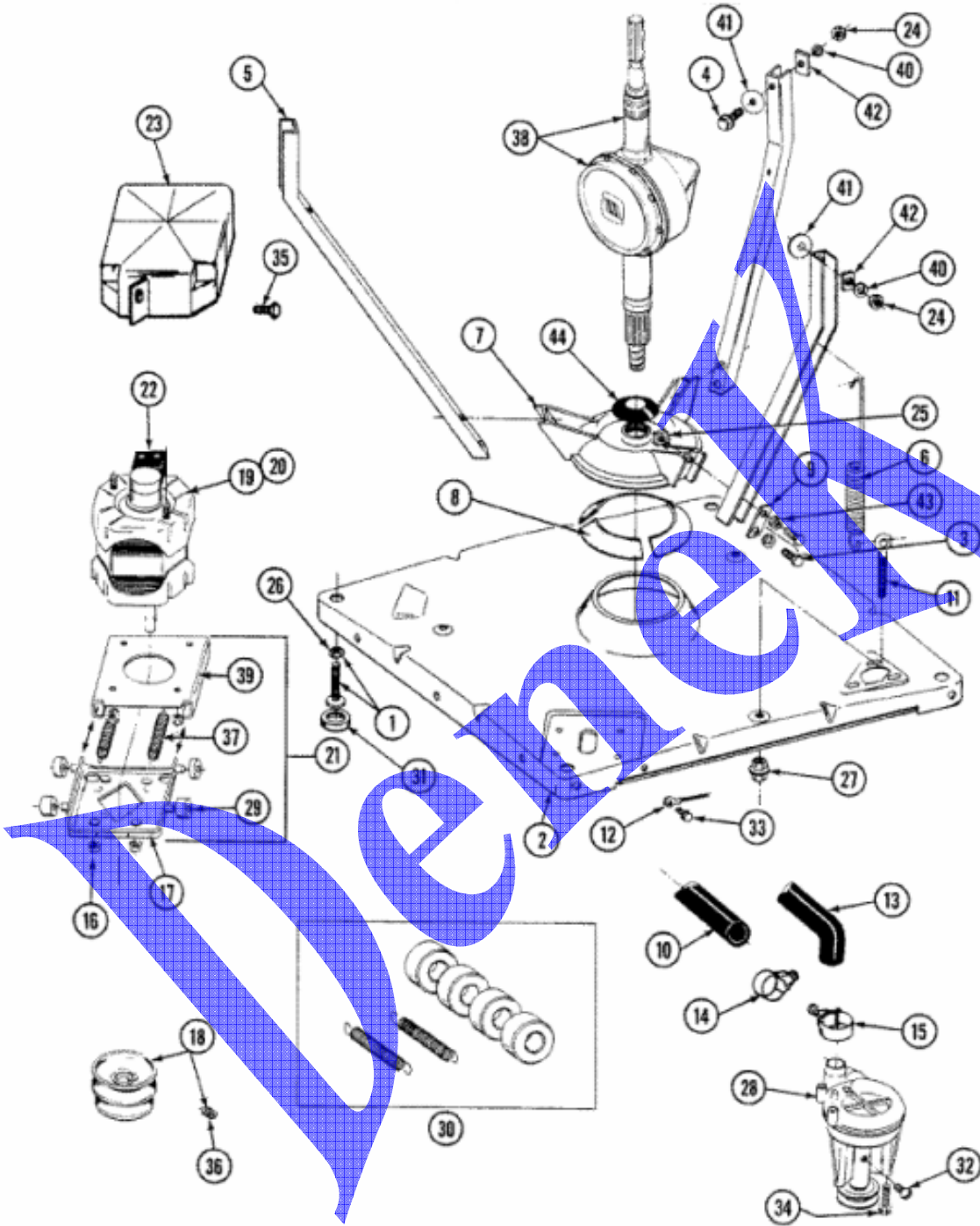


## LAV. MTG. MODEL. LA8600

## BASE, BOMBA Y MOTOR



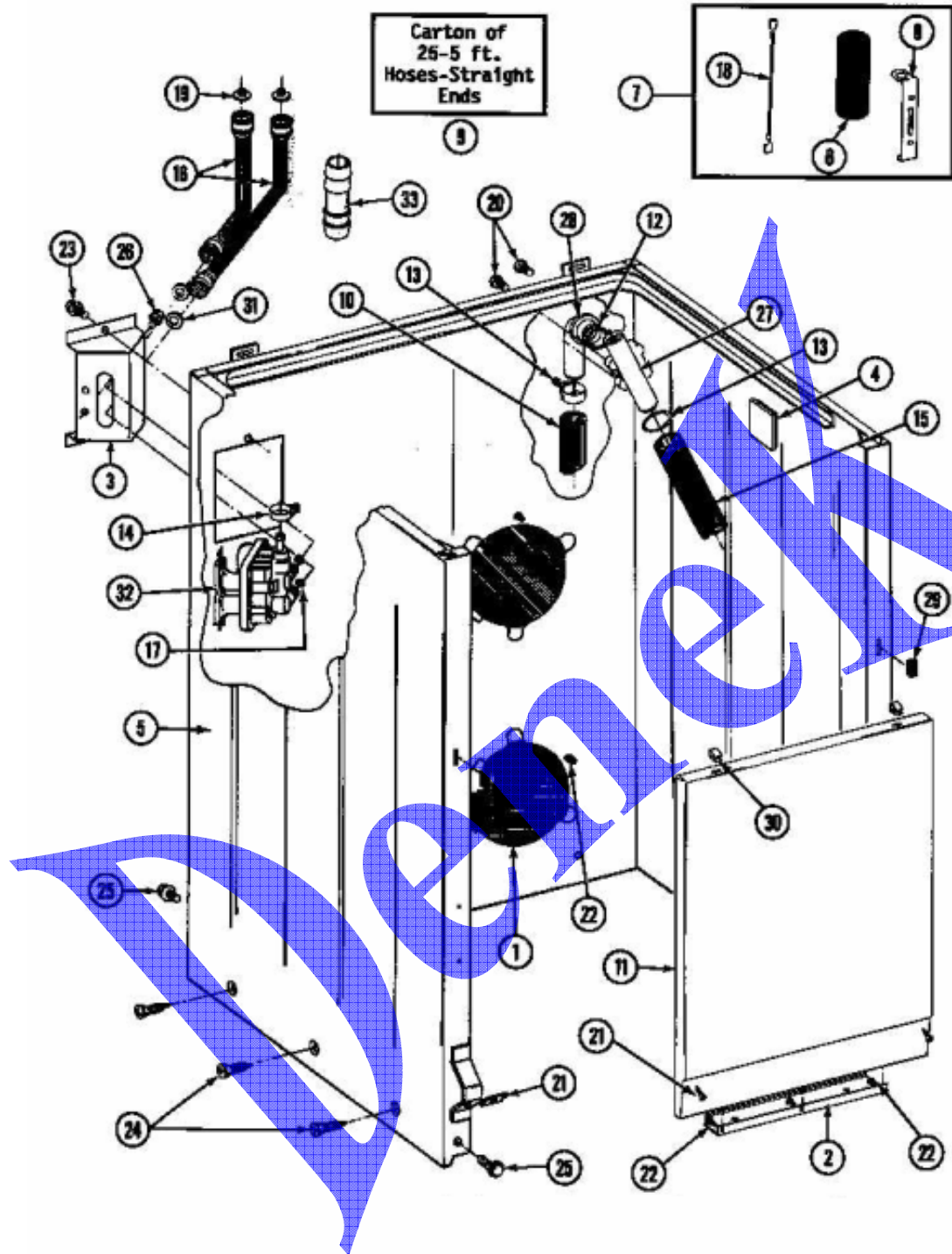
## LAV. MTG. MODEL. LA8600

## BASE, BOMBA Y MOTOR

NUMERO	N. DE PARTE	DESCRIPCION
1	302699	LEG, ADJUSTABLE (W/NUT)
2	203274	BASE WITH DAMPER PADS
3	15627	SCREW, HEX HD CAP 5/16 X 5/8
4	200744	BOLT & GASKET ASSY.(SHORT)
4	205254	BOLT & GASKET ASSEMBLY (LONG)
5	213053	BRACE, TUB
6	213054	CENTERING SPRING - 3 USED
7	203725	DAMPER W/BOLT & CLIP
8	203956	DAMPER PAD KIT (W/POLY LUBE)
9	213073	WASHER, DOUBLE
10	211767	HOSE,PUMP TO SIPHON BREAK
11	213120	EYE BOLT FOR CENTER SPRING
12	204807	GRND.WIRE,SUPP.PLTE TO TOP CVR
13	213045	DRAIN HOSE-TUB TO PUMP
14	200461	HOSE CLAMP - 1.5 8 INCH
15	202574	CLAMP, HOSE
16	311246	KEPS NUT-MOTOR BASE
17	205908	LOWER MOTOR MOUNT
18	200816	PULLEY, MOTOR (W/SET SCREW)
19	201805	MOTOR (ONE SPEED)
21	205999	MOTOR MOUNT ASSM COMPLETE
22	206504	MOTOR EXTERNAL START SWITCH
22	206505	SWITCH, MOTOR START
22	205131	SWITCH, MOTOR START
22	205132	SWITCH, MOTOR START
22	205133	MOTOR EXTERNAL START SWITCH
22	205134	MOTOR EXTERNAL START SWITCH
23	215098	SHIELD, MOTOR
24	52734	NUT
25	52785	NUT,BRACE TO DAMPER
26	210385	NUT, LOCK
27	211949	NUT, EYEBOLT
28	202203	PUMP AS PAK
29	204998	GLIDE KIT (4 W/POLY LUBE)
30	205000	GLIDE & SPRING KIT
31	210684	FOOT, RUBBER
32	15408	SCREW, BEARING INSERT
33	210186	SCREW, GROUND WIRE TO BASE--NA
34	211880	SCREW, HEX HD #10 X 1/2 INC
35	213121	SCREW
36	53241	SET SCREW, PULLEY
37	202718	TENSION SPRINGS
38	206707	TRANSMISSION, ORBITAL
39	214956	MOUNT, MOTOR UPPER
40	54867	WASHER, LOCK
41	211100	WASHER, CUSHION
42	212979	WASHER, TUB BRACE
43	911852	WASHER, LOCK (BRACE)
44	211028	DEFLECTOR,WATER (DRIVE TUBE)

## LAV. MTG. MODEL. LA8600

## GABINETE, VALVULA DE AGUA, MANGUERAS Y PANEL FRONTAL



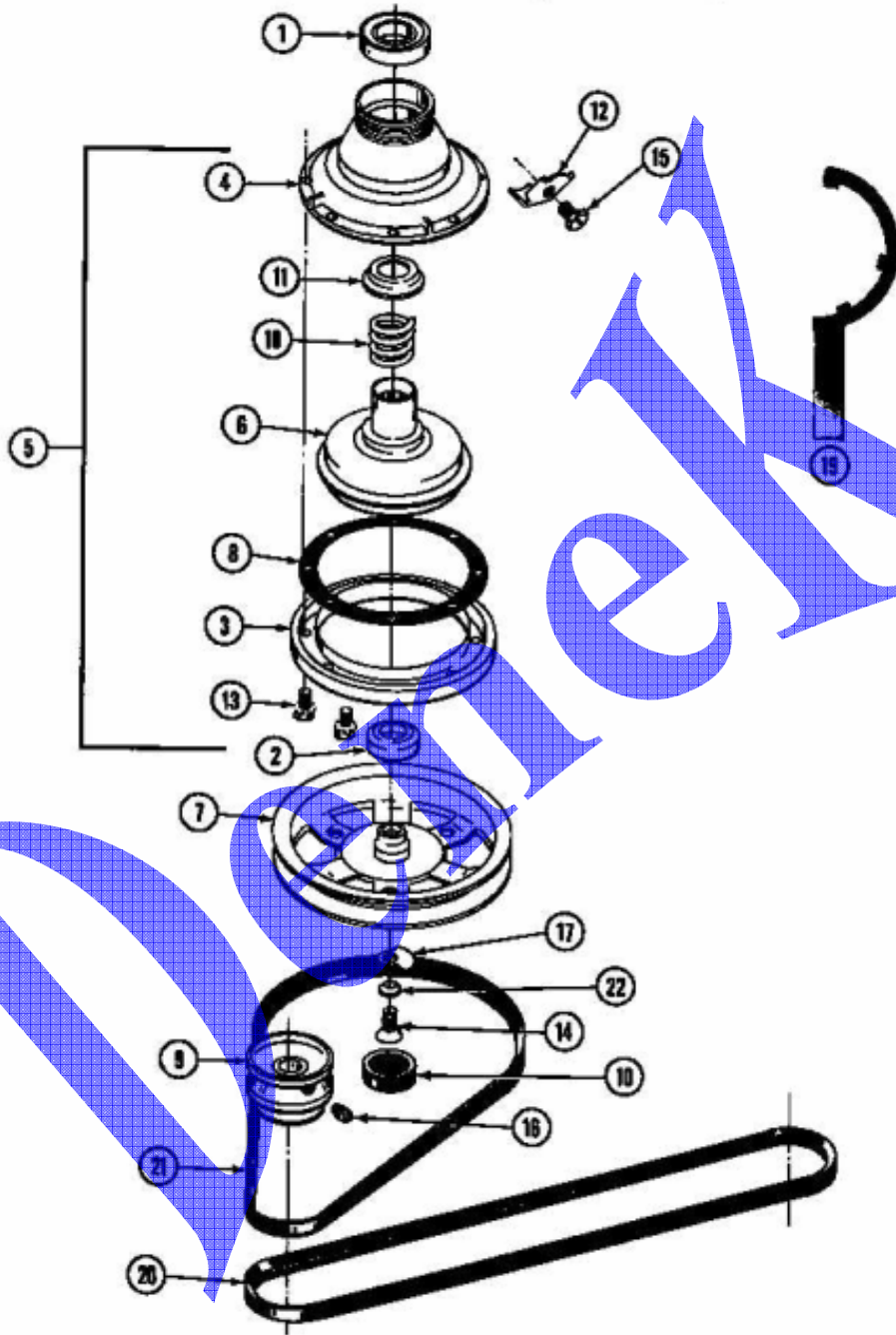
## LAV. MTG. MODEL. LA8600

## GABINETE, VALVULA DE AGUA, MANGUERAS Y PANEL FRONTAL

NUMERO	N. DE PARTE	DESCRIPCION
1	211878	PLATE, ACCESS
2	213846	GUARD, BELT
3	214812	BRACKET, WATER VALVE
4	215058	PAD, CABINET BUMPER
5	203319	CABINET-WHITE
5	203319L	(ALMOND)
5	203319M	CABINET-HARVEST WHEAT
6	200832	CAPACITOR
7	206103	CAPACITOR KIT
8	211149	CLIP, CAPACITOR
9	202861	CARTON OF 25 HOSE, 5'
10	59149	(7/8" I.D. CARTON OF 50 FT.)
10	215279	HOSE, DRAIN
10	216017	HOSE, DRAIN (7/8" I.D.)
11	212998	FRONT PANEL-WHITE
11	212998L	FRONT PANEL-ALMOND
11	212998M	FRONT PANEL-HARVEST WHEAT
12	214765	GASKET, SIPHON BREAK
13	200461	HOSE CLAMP - 1-5/8 INCH
13	200908	HOSE CLAMP - 1-1/2 INCH
14	201575	HOSE CLAMP
15	214767	HOSE, PUMP TO SIPHON BREAK
16	205828	HOSE, INLET ASSY.
16	202860	INLET HOSE ASSY.
16	200672	INLET HOSE ASSY.
16	200681	INLET HOSE, HOT 10 FT.
16	200688	INLET HOSE, HOT 6 FT.
17	214337	SCREEN, VALVE
18	203237	#17 WIRE WITH TERMINAL
19	200961	SCREEN WASHER, INLET HOSE
20	14874	SCREW
21	204439	SCREW & FASTNER ASSY(FRT.PANEL)
22	211294	SCREW
23	212276	SCREW
24	213007	SCREW, CABINET
25	213121	SCREW
25	213122	SCREW, CBNT. TO FRNT OF BASE--NA
26	313561	SCREW----NA
27	206638	SIPHON BREAK(W/CLAMP)
28	214764	SIPHON BREAK ELBOW
28	216016	ELBOW, SIPHON BREAK
29	214376	SPACER, FRONT PANEL
30	212982	FASTENER, PANEL
31	13783	GASKET, INLET HOSE
32	205613	WATER VALVE
33	216015	HOSE COUPLING

## LAV. MTG. MODEL. LA8600

## CLUTCH, FRENO Y BANDAS



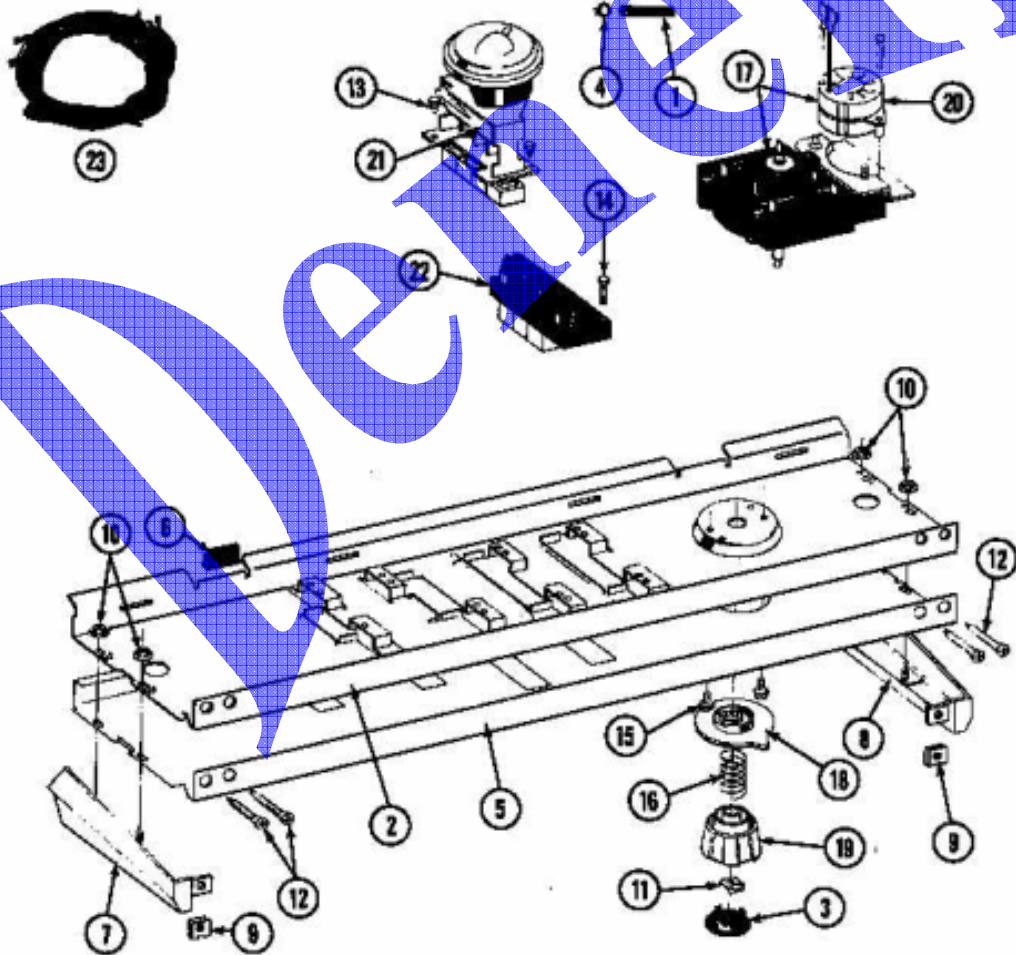
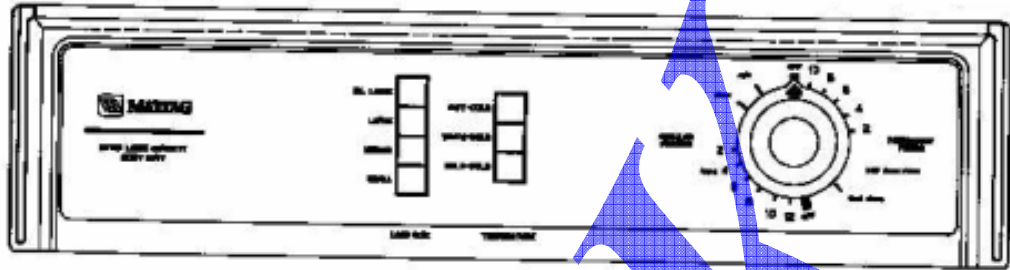
## LAV. MTG. MODEL. LA8600

## CLUTCH, FRENO Y BANDAS

NUMERO	N. DE PARTE	DESCRIPCION
1	200720	BALL BEARING, RADIAL
2	200835	BEARING, BRAKE ROTOR
3	211043	DRUM, BRAKE
4	211045	HOUSING, BRAKE
5	201190	BRAKE ASSEMBLY
6	201126	ROTOR, BRAKE (W/FACING)
7	211059	PULLEY, DRIVE
8	211042	GASKET, BRAKE DRUM
9	200816	PULLEY, MOTOR (W/SET SCREW)
10	211038	CAP OIL RETAINER
11	211039	RETAINER, BRAKE SPRING
12	213325	CLIP, RETAINER
13	211000	SCREW, HEX HEAD (BRAKE DRUM)
14	211375	SCREW, STOP LUG (CENTER SHAFT)
15	213326	SCREW, RETAINING CLIP
16	53241	SET SCREW, PULLEY
17	211089	LUG, STOP
18	211041	SPRING, BRAKE
19	38315	TOOL, BRAKE PKG ASSY
20	211124	V BELT, PUMP
21	211125	V BELT, DRIVE PULLEY
22	211090	WASHER, LOCK

## LAV. MTG. MODEL. LA8600

## PANEL DE CONTROL



## LAV. MTG. MODEL. LA8600

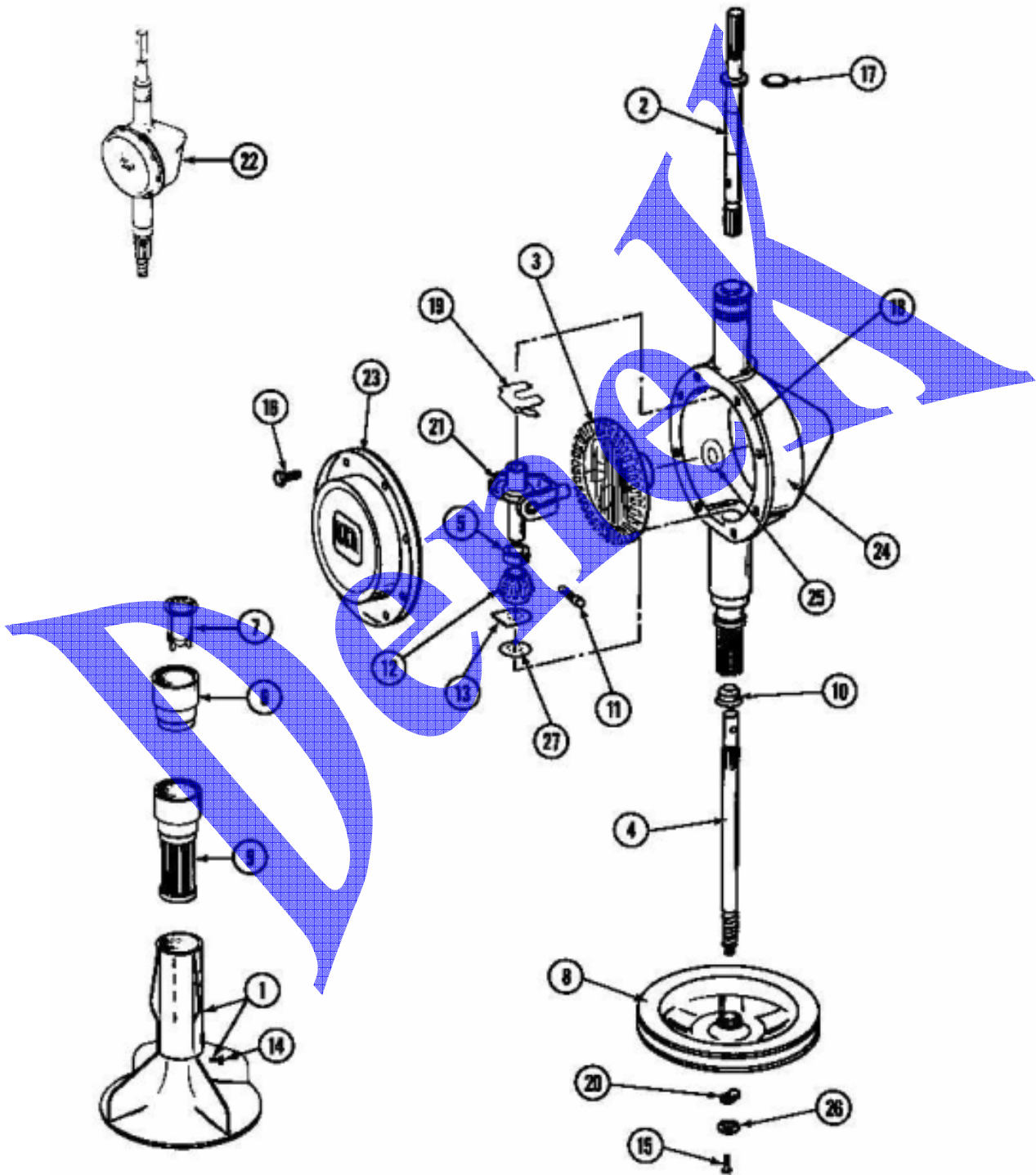
## PANEL DE CONTROL

NUMERO	N. DE PARTE	DESCRIPCION
1	212942	AIR DOME AND TUBE
2	214818	BACK UP PLATE
3	215821	CAP, KNOB
4	410296	CLAMP, WATER LEVEL SWTCH TUBE
5	207393	CONTROL PANEL
6	214897	PAD, CONTROL PANEL
7	207215	END CAP LH
8	207216	END CAP RH
9	214894	FASTENER, END CAP
10	214872	PALNUT, END CAP
11	211605	RETAINER, TIMER KNOB
12	210932	SCREW, #8 X 9/16 CTSK
13	211168	SCREW, #8 X 5/16 INCH
14	213117	SCREW, TEMP. SWITCH TO PANEL
15	213966	SCREW, TIMER TO CONTROL PANE
16	211065	SPRING, TIMER KNOB
17	207379	TIMER
18	215827	TIMER DIAL SKIRT
19	215828	KNOB, TIMER (BLK)
20	205033	TIMER MOTOR 120-60
21	207361	4 LEVEL PRESSURE SWITCH
22	207368	TEMP CONTROL SWITCH - 3 BUTTON
23	207383	WIRE HARNESS



## LAV. MTG. MODEL. LA8600

## TRANSMISION



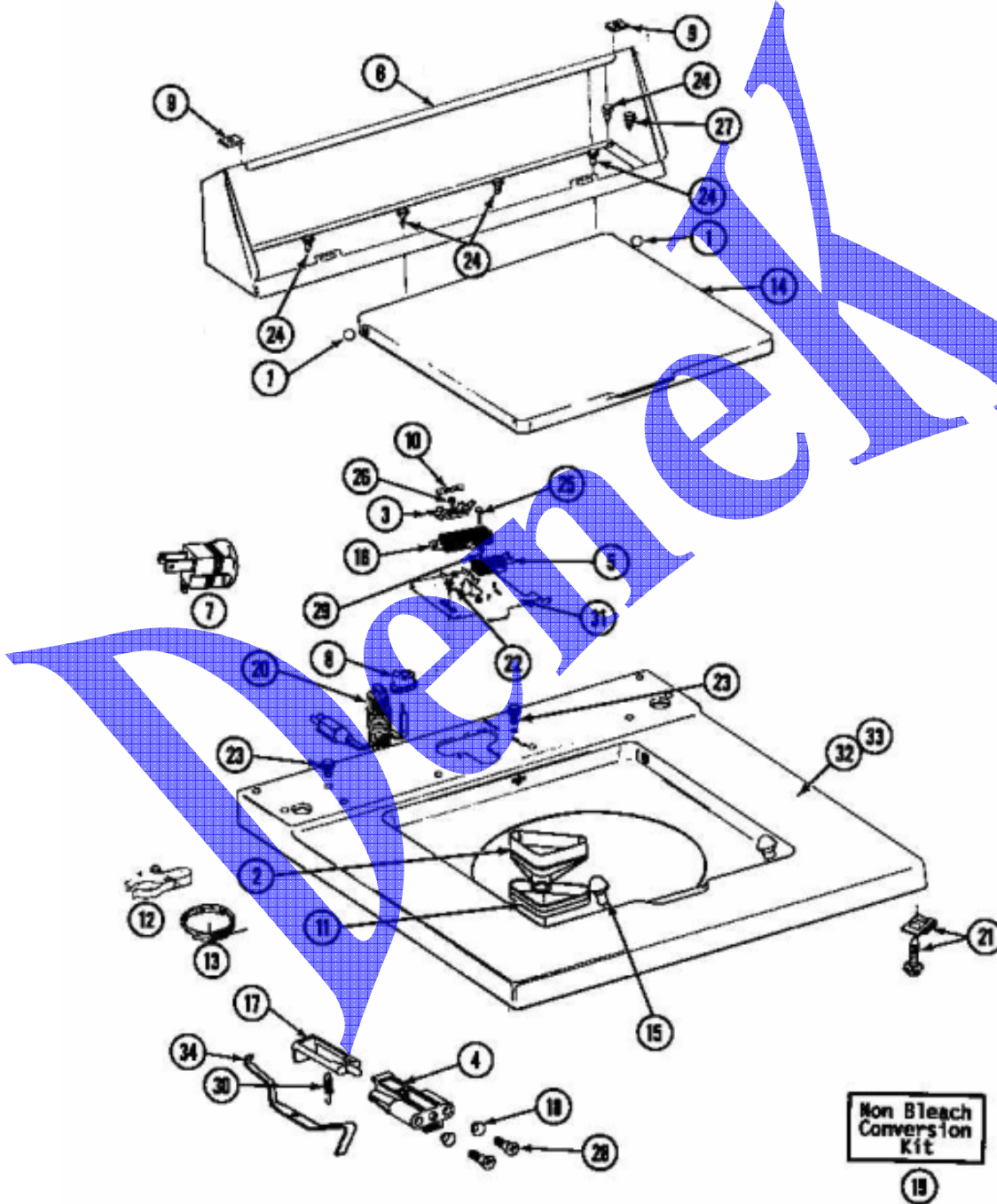
## LAV. MTG. MODEL. LA8600

## TRANSMISION

NUMERO	N. DE PARTE	DESCRIPCION
1	207228	AGITATOR W/LOCK SCREW
2	207153	SHAFT, AGITATOR (W/SPRING)
3	206713	GEAR, BEVEL
4	215410	CENTER SHAFT - LARGER
5	215415	COLLAR, LOWER
7	215733	DISPENSING CUP
8	211059	PULLEY, DRIVE
9	207426	LINT FILTER DEEP
10	206602	SEAL, LIP (CENTER SHAFT)
11	206629	PIN, COLLAR
12	215401	PINION
13	215395	PLATE, CLUTCH
14	206478	SCREW & WASHER FOR AGITATOR
15	211375	SCREW STOP LUG(CENTER SHAFT)
16	215417	SCREW, TRANSMISSION COVER
17	210690	SEAL, RUBBER
18	58700	SILASTIC,ADH.SEALANT
19	215581	SPRING, AGITATOR SHAFT
20	211089	LUG, STOP
21	206685	BLOCK, TORQUE AND YOKE ASSEMBL
22	206707	TRANSMISSION, ORBITAL
23	206628	COVER, TRANSMISSION
24	206624	HOUSING, TRANSMISSION
25	215394	WASHER, BEVEL GEAR
26	211090	WASHER, LOCK
27	211483	WASHER, SPLINED

## LAV. MTG. MODEL. LA8600

## TAPA



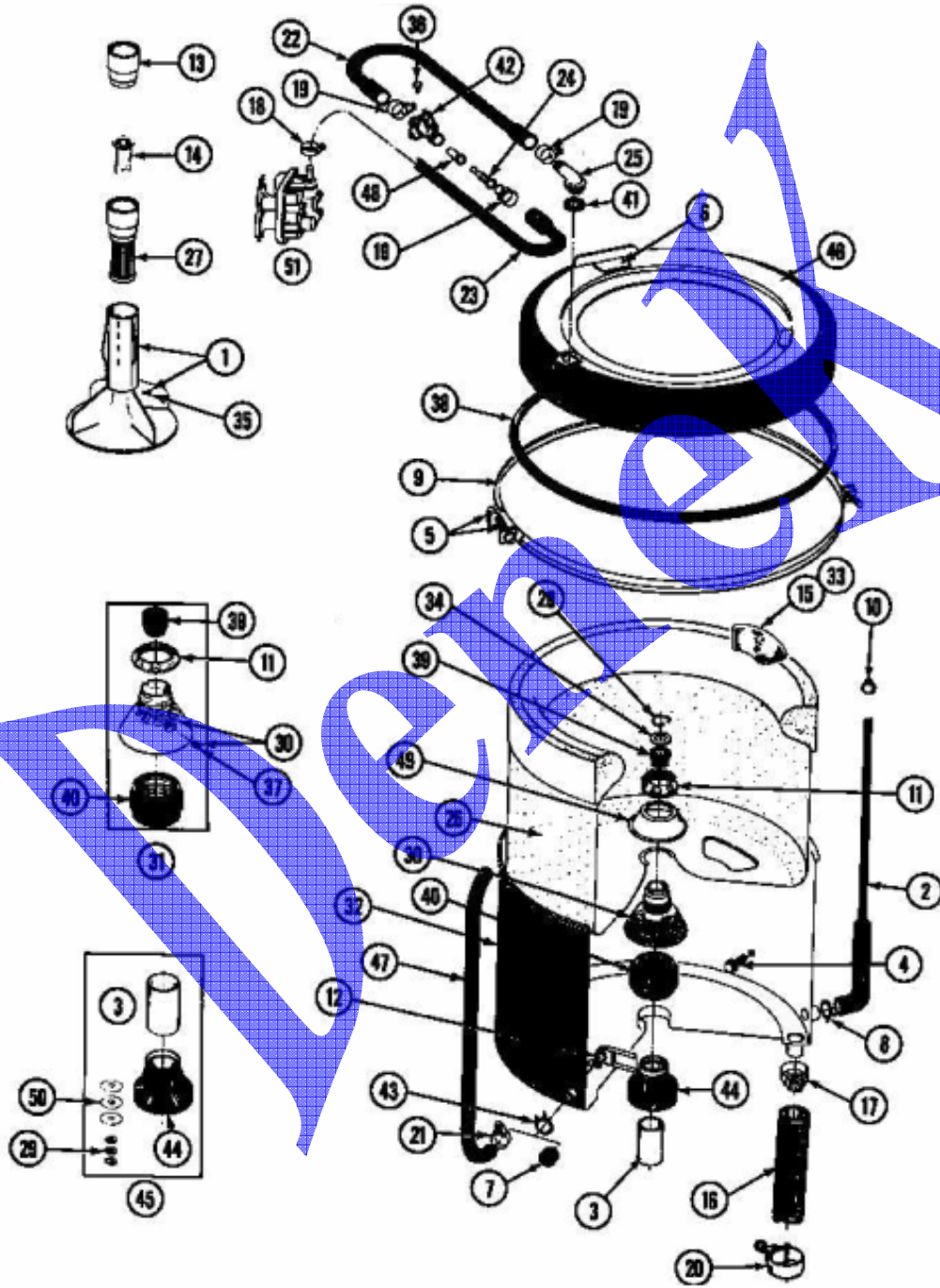
## LAV. MTG. MODEL. LA8600

## TAPA

NUMERO	N. DE PARTE	DESCRIPCION
1	211726	HINGE, BALL
2	215577	BLEACH INLET WHITE
2	215578	BLEACH INLET ALMOND
3	207167	BLOCK, FUSE
4	214279	BRACKET F/LID SWITCH PLUNGE
4	216256	BRACKET, UNBALANCE
5	207166	SWITCH, CHECK
6	205635	CONSOLE (WHT)
6	205635L	CONSOLE (ALM)
6	205635M	CONSOLE (HVST WHEAT)
7	201808	CONVERTER
8	211881	GROMMET, CORD
9	215075	FASTENER,CNTRL PNL TO CONSOLE
10	207168	FUSE
11	214436	GASKET
12	301548	CLAMP, GROUND (W/SCREW)
13	311155	GROUND WIRE
14	212073	LID-WHITE
14	212073L	LID-ALMOND
14	212073M	LID-HARVEST WHEAT
15	212716	BUMPER, LID
16	205415	SWITCH, LID (W/O TUB LIGHT)
17	208591	KIT, PLUNGER & BRACKET
17	215700	LID SWITCH PLUNGER
18	211500	WASHER,BRACKE TO TOP COVER
19	205997	NON-BLEACH CONVERSION KIT
20	204590	POWER CORD
21	204445	SCREW & FASTENER ASY.
22	207159	SCREW
23	210186	SCREW, GROUND WIRE TO BASE--NA
24	211294	SCREW
25	213501	SCREW, #6-20 X 1-1/8 INCH
26	215705	SCREW
27	313559	SCREW
28	910182	SCREW
29	912012	SCREW
30	213720	SPRING
31	215699	BRACKET,SWITCH & FUSE
32	207170	TOP COVER
32	207170L	TOP COVER ASSY ALM----NA
33	207172	TOP COVER
33	207172L	TOP COVER ASSY ALM----NA
33	207172M	TOP COVER ASSY HVT WHEAT
34	215704	UNBALANCE LEVER

## LAV. MTG. MODEL. LA8600

## TINA, AGITADOR



## LAV. MTG. MODEL. LA8600

## TINA, AGITADOR, MONTURA

NUMERO	N. DE PARTE	DESCRIPCION
1	207228	AGITATOR W/LOCK SCREW
2	212942	AIR DOME AND TUBE
3	211130	LINER, TUB BEARING
4	200744	BOLT & GASKET ASSY.(SHORT)
4	205254	BOLT & GASKET ASSEMBLY (LONG)
5	205529	NUT & BOLT KIT FOR TUB CLAM
6	215232	UNBALANCE BUMPER
7	214725	CAP FOR SPOUT-OUTER TUB
8	211641	CLAMP, 1-1/16"
9	200846	CLAMP - TUB COVER
10	410296	CLAMP,WATER LEVEL SWTCH TUBE
11	211047	NUT, CLAMPING (INNER TUB)
12	214434	SPOUT, DEFLECTOR
13	215721	DISPENSING CAP
14	215733	DISPENSING CUP
15	207219	FILTER, SELF-CLEANING
16	213045	DRAIN HOSE-TUB TO PUMP
17	200900	CLAMP, SPRAY ARM HOSE
18	201575	HOSE CLAMP
19	202515	HOSE CLAMP - 1-1/16 INCH
20	202574	CLAMP, HOSE
21	205161	CLAMP - 15/16"
22	215234	INJECTOR FILL HOSE
23	213013	HOSE, INJECTOR
24	213015	INJECTOR NOZZLE
25	215235	INJECTOR TUBE
26	207831	INNER TUB W/PLUG
27	207426	LINT FILTER DEEP
28	15667	RETAINING RING
29	54867	WASHER, LOCK
30	202521	MOUNTING STEM
31	204012	MOUNTING STEM REPAIR KIT
32	205484	OUTER TUB
33	215980	PLUG, FILTER HOLE
34	15666	WASHER,RETAINING(CENTER SEAL)-
35	206478	SCREW & WASHER FOR AGITATOR
36	312620	SEMS SCREW, #10-16 X 1/2"
37	211618	SET SCREW, MTG. STEM
38	211232	SEAL
39	0A4298	SEAL, AGITATOR DRIVE SHAFT
40	201537	SEAL AND SPRING
41	215233	SEAL FOR INJECTOR TUBE
42	215447	SLEEVE FOR INJECTOR
43	214739	SPRING HOSE CLAMP
44	200824	BEARING, TUB
45	204013	TUB BEARING REPAIR KIT
46	206380	TUB COVER
47	214433	TUBE, INLET TO TUB
48	213016	VALVE FOR INJECTOR SUB
49	211210	WASHER,CLAMPING NUT(STAINLESS)
50	211100	WASHER, CUSHION
51	205613	WATER VALVE