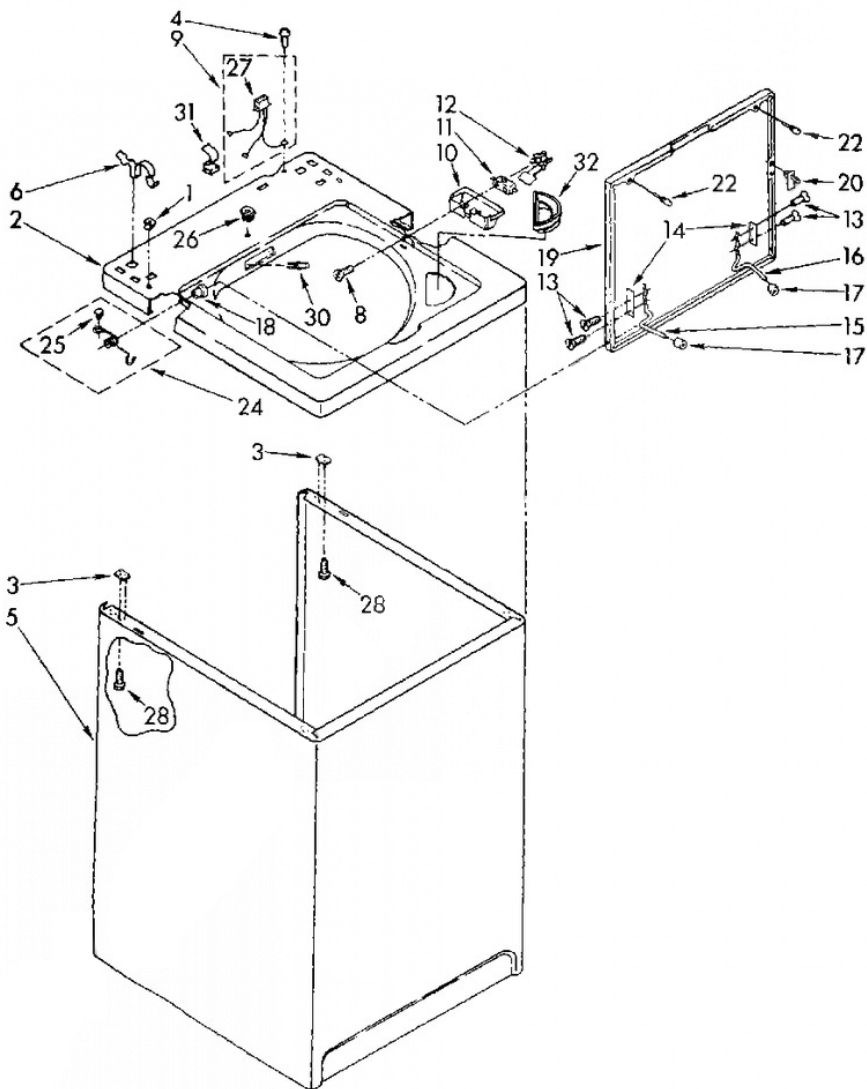


Distribuidor Autorizado

SurteRápido.com

Venta de Refacciones
Electrodomesticas

LA8800XTN0 GABINETE





LA8800XTN0 GABINETE

1	358473	NUT, PUSH-IN (2) (S/P)
2	388355	TOP (GOLDEN HARVEST) (S/P)
2	3359083	TOP (WHITE) (S/P)
2	3359084	TOP (ALMOND) (S/P)
2	388353	TOP (TOAST) (S/P)
2	388354	TOP (PLATINUM) (S/P)
3	62750	SPACER, CABINET TO TOP (4) (S/P)
4	687128	SCREW, 10-16 X 1/2 (S/P)
5	63424	CABINET (WHITE) (S/P)
5	63425	CABINET (ALMOND)
5	63426	CABINET (TOAST) (S/P)
5	63427	CABINET (PLATINUM) (S/P)
5	63428	CABINET (GOLDEN HARVEST) (S/P)
6	62780	CLIP, TOP & CABINET & REAR PANEL (2)
8	354764	SCREW & WASHER, LID SWITCH (2) (S/P)
9	63833	HARNESS, LID SWITCH DESCONTINUADO
10	359231	SHIELD, LID SWITCH (S/P)
11	279347	SWITCH, LID
12	350733	ACTUATOR, LID SWITCH
13	3351355	SCREW, LID HINGE MOUNTING (4) (S/P)
14	21097	PAD, LID HINGE (2) (S/P)
15	54584	HINGE, LID (L.H.) (S/P)
16	54583	HINGE, LID (R.H.) (S/P)
17	19119	BUMPER, LID HINGE (S/P)
18	21258	BEARING, LID HINGE (2) (S/P)
19	3354572	LID (TOAST) (S/P)
19	285881	LID (GOLDEN HARVEST) (S/P)
19	3957563	LID (WHITE) (S/P)
19	3957564	LID (ALMOND) (S/P)
19	3354573	LID (PLATINUM) (S/P)
20	358684	STRIKE, LID SWITCH
22	93770	BUMPER, LID (2)
24	3349948	SPRING & BUTTON, LID (S/P)

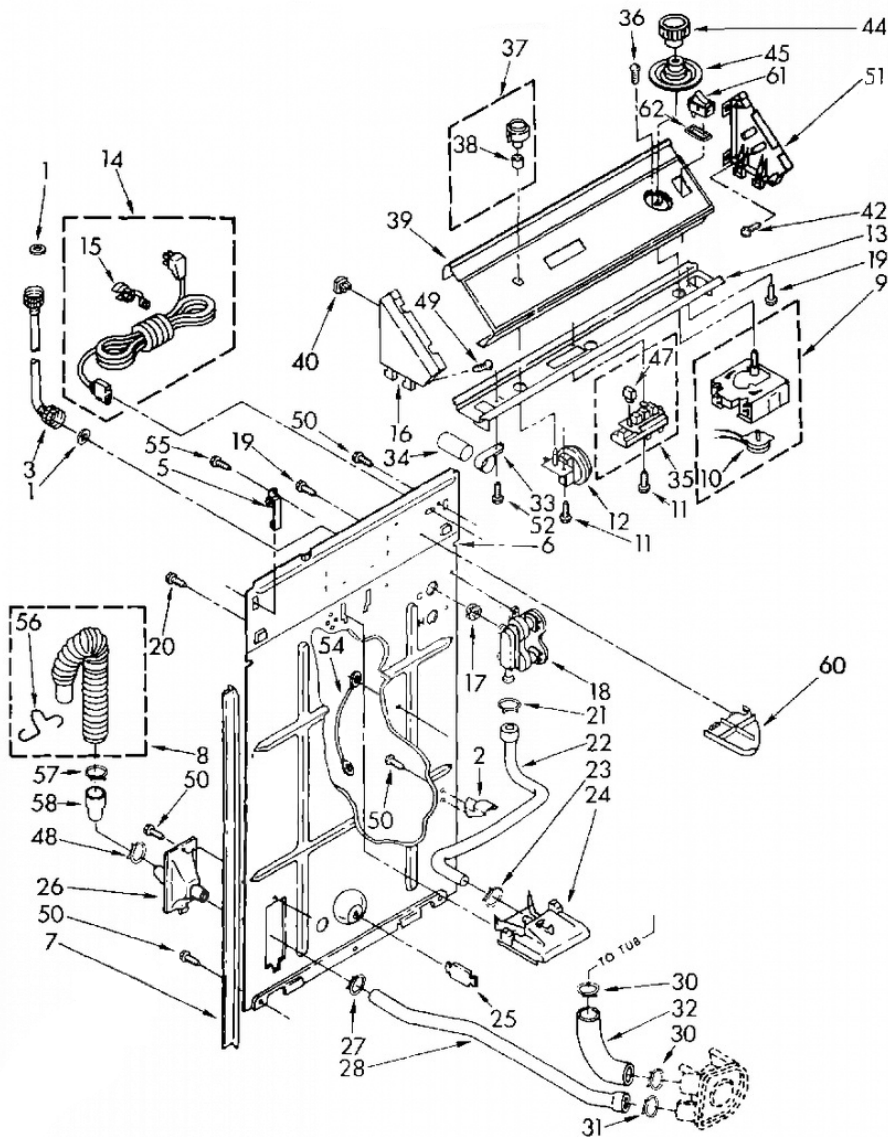
25	54690	PLUG, BUTTON (S/P)
26	358472	STOP, PUSH-IN TOP DESCONTINUADO
27	62888	PLUG, TERMINAL (3-WAY) DESCONTINUADO
28	384435	SCREW, 10-16 X 1/2 (4) (S/P)
30	354239	RIVET, SERIAL NAMEPLATE (S/P)
31	90016	CLIP, HARNESS (S/P)
32	3362952	DISPENSER, BLEACH

Distribuidor Autorizado

SurteRápido.com

Venta de Refacciones
Electrodomesticas

LA8800XTN0 TABLERO



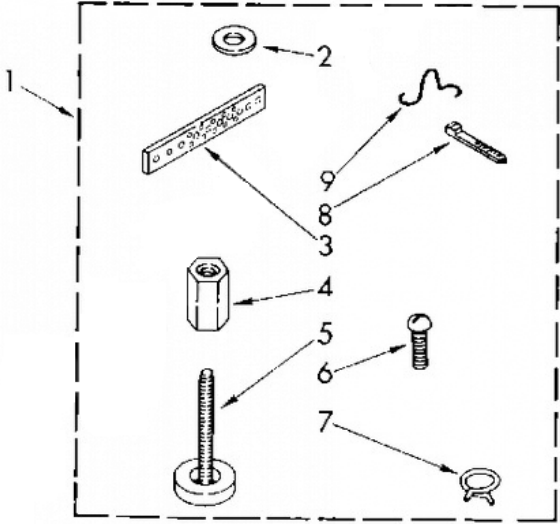


LA8800XTN0 TABLERO

1	16123	WASHER, WATER INLET HOSE (4) (S/P)
2	63162	PIN, CABINET GUIDE (2) (S/P)
3	89503	HOSE, INLET (2)
5	387402	HINGE, CONSOLE (2)
6	285931	PANEL, REAR (S/P)
7	62747	PAD, REAR PANEL (S/P)
8	285664	HOSE, CORRUGATED PLASTIC DRAIN
8	285666	HOSE, CORRUGATED PLASTIC DRAIN (S/P)
9	3356057	TIMER, CONTROL (60 HZ.)
10	63493	MOTOR, TIMER (S/P)
11	90767	SCREW, 8A X 3/8 (S/P)
12	64103	SWITCH, WATER LEVEL DESCONTINUADO
13	63687	BRACKET, CONTROL (S/P)
14	285800	CORD, POWER (S/P)
15	285777	STRAIN RELIEF, POWER CORD (S/P)
16	285653	CAP, END (L.H.) (S/P)
17	96160	SCREEN, FILTER (2) (S/P)
18	285805	VALVE, WATER MIXING
19	90864	SCREW, 10-24 X 3/8 (2) (S/P)
20	359262	SCREW, GROUND (10-16 X 1/2) (S/P)
21	596669	CLAMP, HOSE (S/P)
22	3357328	HOSE, VACUUM BREAK
23	596669	CLAMP, HOSE (S/P)
24	3360677	BREAK, VACUUM
25	8519200	SUPPORT, REAR PANEL
26	3976399	CONNECTOR, DRAIN HOSE
27	356138	CLAMP, HOSE (S/P)
28	3348552	HOSE, PUMP TO DRAIN CONNECTOR
30	371502	CLAMP, HOSE (S/P)
31	285655	CLAMP, HOSE (S/P)
32	285871	HOSE, PUMP TO TUB
33	357030	CLAMP, CAPACITOR (S/P)
34	8572720	CAPACITOR, MOTOR START (S/P)

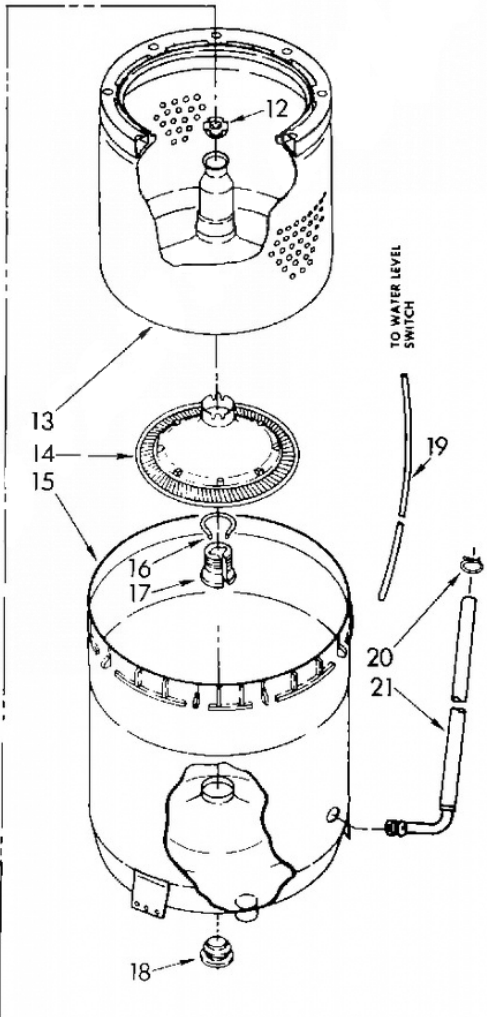
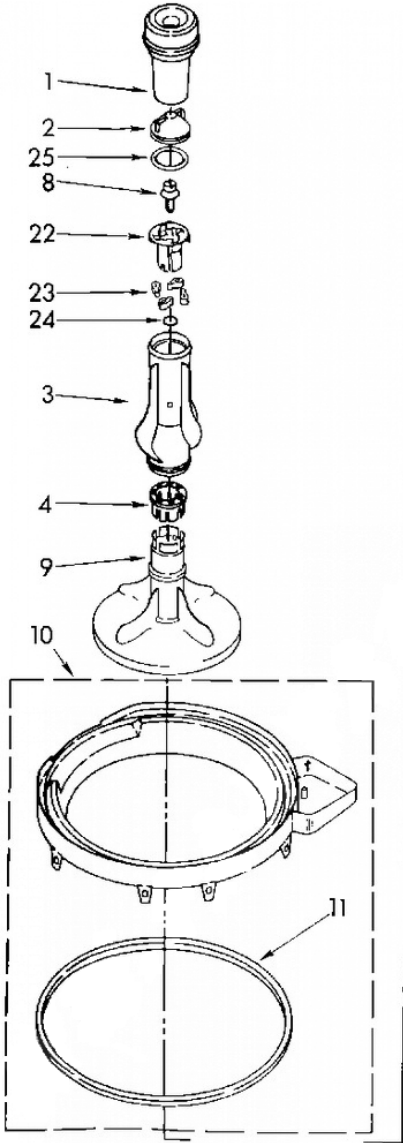
35	3354237	SWITCH, WATER TEMPERATURE DESCONTINUADO
36	96435	SCREW, TIMER MOUNTING (10-32 X 1) (2) (S/P)
37	386636	KNOB, WATER LEVEL DESCONTINUADO
38	688805	CLIP, CONTROL KNOB (S/P)
39	3348082	PANEL, CONSOLE (S/P)
40	689559	NUT, PUSH-IN (2) (S/P)
42	355326	SCREW, 13-16 X 5/8 (4) (S/P)
44	3347726	KNOB, TIMER (S/P)
45	64138	DIAL, TIMER
47	285638	BUTTON, PUSH (5) (S/P)
48	356138	CLAMP, HOSE (S/P)
49	64211	SCREW, 8-18 (2) (PANEL TO TOP) DESCONTINUADO
50	62863	SCREW, 10-16 X 3/8 (S/P)
51	285653	CAP, END. (R.H.) (S/P)
52	343641	SCREW, 10-16 X 1/2 (S/P)
54	303485	WIRE, GROUND (S/P)
55	9416643	SCREW, HINGE TO REAR PANEL (10-16 X 1/2) (S/P)
56	3350222	RETAINER, WIRE (S/P)
57	616099	CLAMP, HOSE (S/P)
58	384496	COUPLING, HOSE
60	8539874	SHEILD, SUDS (S/P)
61	661524	SWITCH, SECOND RINSE (S/P)
62	3348392	GASKET, SWITCH (S/P)

LA8800XTN0 PATA



1	285609	MISCELLANEOUS PARTS BAG (S/P)
2	16123	WASHER, INLET HOSE (1-1/16 X 5/8) (4) (S/P)
3	22965	STRAP, GROUND (S/P)
4	62739	NUT, LOCK (2) (3/8-16)
5	389102	FOOT, FRONT (2)
6	132848	SCREW, GROUND (10-24 X 1) (S/P)
7	356138	CLAMP, HOSE (S/P)
8	3347868	CABLE TIE (S/P)
9	3350222	RETAINER, DRAIN HOSE (S/P)

LA8800XTN0 TINAS

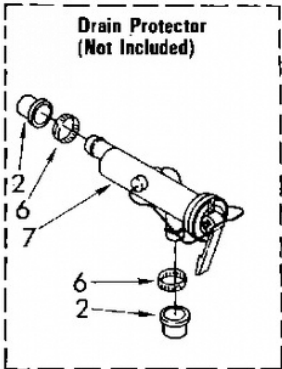
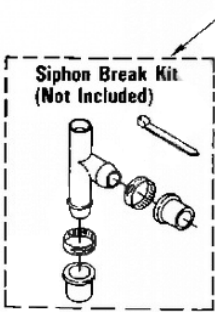
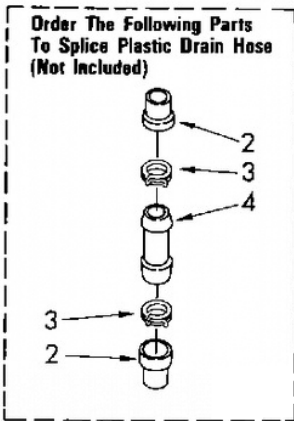




LA8800XTN0 TINAS

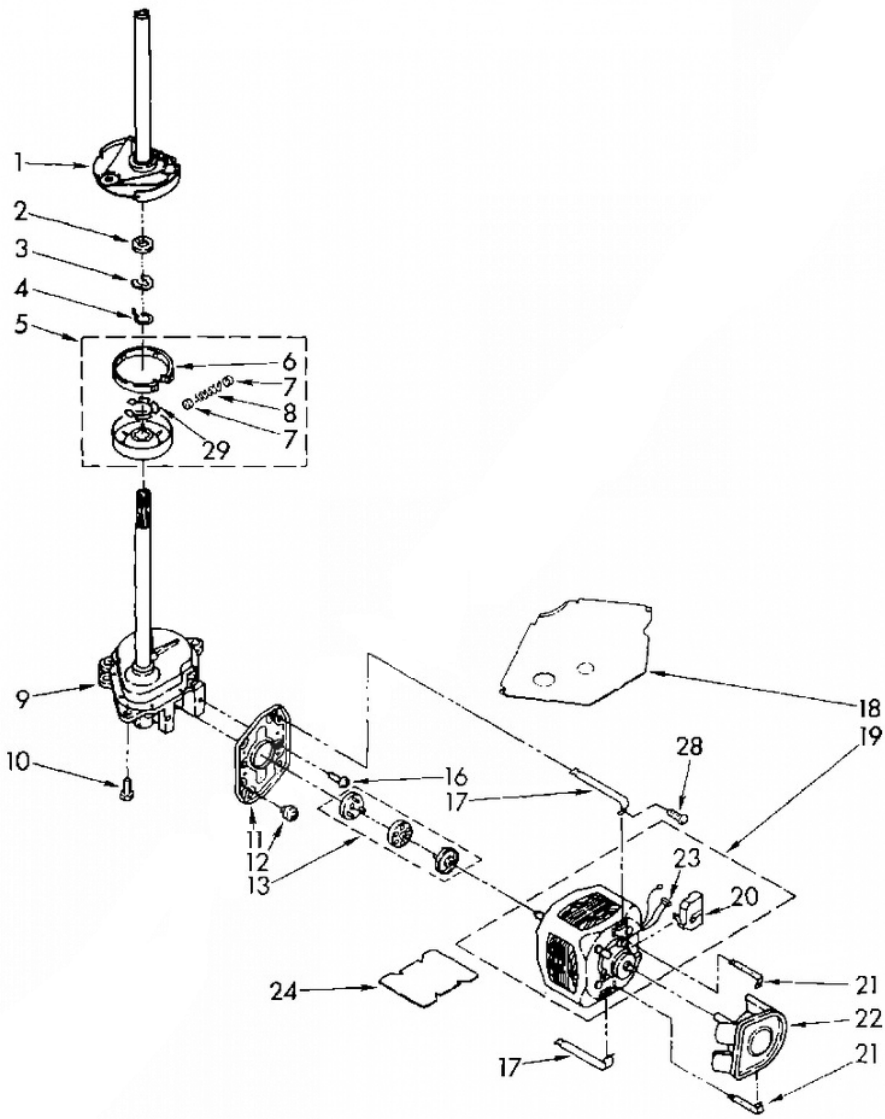
1	63580	DISPENSER, RINSE
2	285551	CAP, BARRIER
3	3348752	CLOTHES MOVER, THREE VANE
4	285587	SPACER, THRUST
8	358237	SCREW AND WASHER
9	3347288	AGITATOR
10	8528150	TUB RING (S/P)
11	3976308	GASKET, TUB RING
12	21366	NUT, SPANNER
13	8526016	BASKET (S/P)
14	285868	FILTER, PLATE (INCLUDES ILLUS. 16)
15	3361596	TUB (S/P)
16	62942	LOCK, FILTER (S/P)
17	389140	BLOCK, DRIVE
18	383727	GASKET, CENTER POST
19	353244	HOSE, PRESSURE SWITCH
20	596669	CLAMP, HOSE (S/P)
21	63323	HOSE, BLEACH DESCONTINUADO
22	285811	CAM, AGITATOR
23	285770	DOG, AGITATOR CLUTCH (4)
24	357574	SEAL, AGITATOR
25	3348855	SEAL, INNER AUGER

LA8800XTN0 SISTEMA DE AGUA



1	285442	CONNECTOR KIT, PLASTIC DRAIN HOSE (S/P)
2	285321	SLEEVE KIT, (CONTAINS 2 SLEEVES) (S/P)
3	285655	CLAMP, HOSE (S/P)
4	16272	CONNECTOR, STRAIGHT (S/P)
5	285320	SIPHON BREAK KIT (NOT INCLUDED) (S/P)
6	285655	CLAMP, HOSE (S/P)
7	367031	DRAIN PROTECTOR (NOT INCLUDED) (S/P)

LA8800XTN0 MOTOR





LA8800XTN0 MOTOR

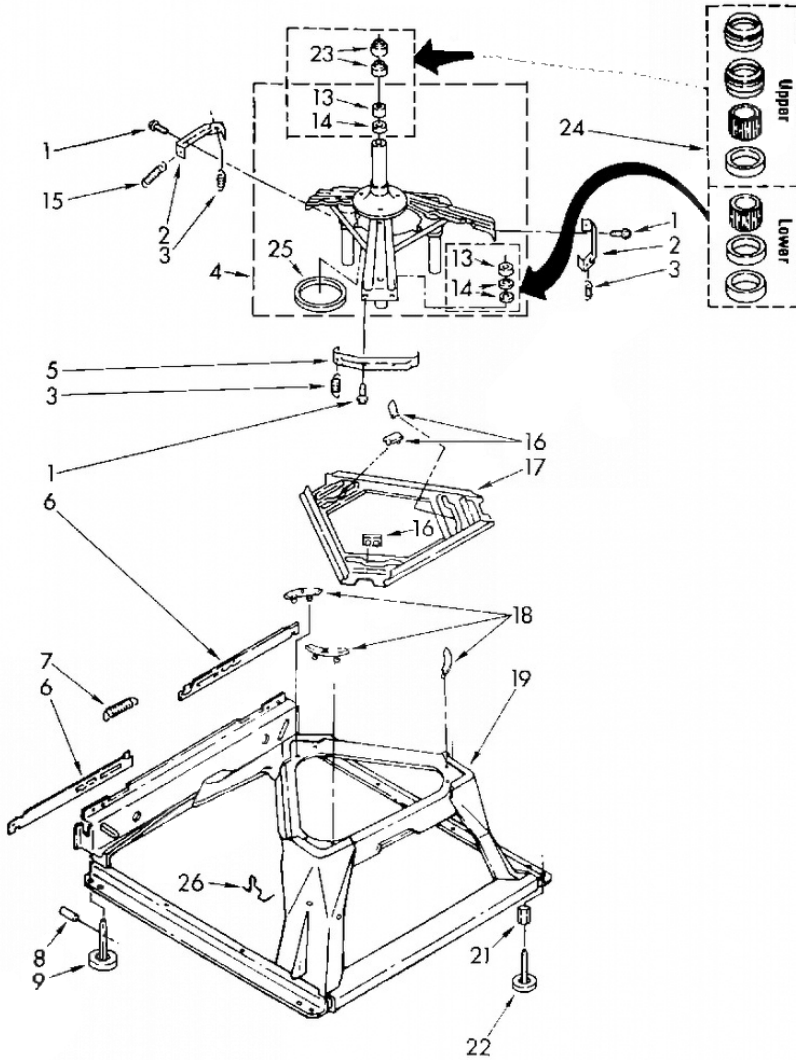
1	285792	BRAKE & DRIVE TUBE (COMPLETE)
2	63292	WASHER, SPIN TUBE THRUST
3	62697	RING, SPIN TUBE SUPPORT
4	285353	RING, RETAINER
5	285785	CLUTCH (COMPLETE)
6	285790	BAND & LINING, CLUTCH (INCLUDES ILLUS. 7 & 8)
7	62646	CAP, CLUTCH SPRING (2) (S/P)
8	285790	SPRING, CLUTCH
9	3360629	GEARCASE (COMPLETE)
10	62735	SCREW, GEARCASE TO BASE (3) (S/P)
11	62611	PLATE, MOTOR MOUNT TO GEARCASE (S/P)
12	62691	GROMMET, MOTOR (4)
13	285753	COUPLING, MOTOR AND ISOLATION
16	98062	SCREW, 5/16-24 X 5/8 (2) (S/P)
17	3349637	RETAINER, MOTOR (2)
18	3362089	SHIELD, TUB TO MOTOR (S/P)
19	3352287	MOTOR, MAIN DRIVE
20	8529896	SWITCH, MAIN DRIVE MOTOR (S/P)
21	62700	RETAINER, PUMP (2)
22	3363394	PUMP, COMPLETE
23	3348074	PLUG, TERMINAL (S/P)
24	3946532	SHIELD, MOTOR (S/P)
28	357640	SCREW, 10-16 X 5/8 (2) (S/P)
29	3355454	CLIP (ANTI-RATTLE) (S/P)

Distribuidor Autorizado

SurteRápido.com

Venta de Refacciones
Electrodomesticas

LA8800XTN0 BASE

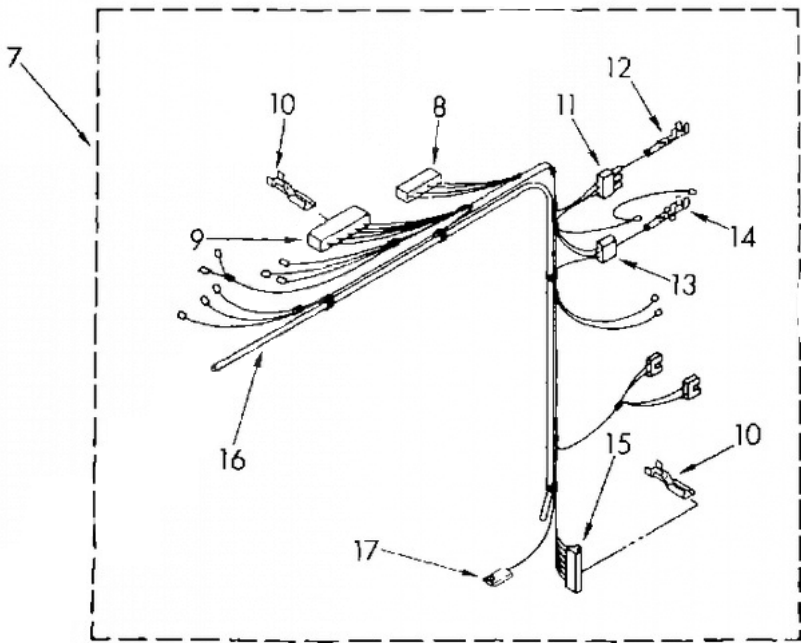
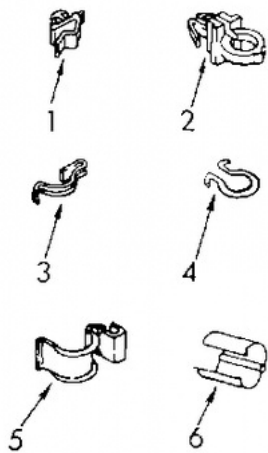




LA8800XTN0 BASE

1	98610	SCREW, BRACKET MOUNTING (10-16 X 5/8) (6) (S/P)
2	64067	BRACKET, SPRING OUTER (2)
3	63907	SPRING, SUSPENSION (3)
4	280184	SUPPORT & BRAKE, TUB (S/P)
5	64065	BRACKET, SPRING OUTER (L.F.)
6	63466	LINK, LEVELING MECHANISM (2) (S/P)
7	8316845	SPRING, LEVELING MECHANISM
8	62837	PIN, KNURLED (S/P)
9	285244	FOOT, REAR (2)
13	8546455	BEARING, CENTERPOST (2) (S/P)
14	359449	SEAL, CENTERPOST (3)
15	388492	SPRING, COUNTERWEIGHT
16	285219	PAD, PLATE
17	3946509	PLATE, SUSPENSION (INCLUDES ILLUS. 16)
18	285744	PAD, BASE
19	285771	BASE ASSEMBLY (INCLUDES ILLUS, 6, 7, 8, 9, 18 & 26)
21	62739	NUT, LOCK (3/8-16) (2)
22	389102	FOOT, FRONT (2)
23	91938	SEAL, CENTERPOST (2)
24	285203	CENTERPOST BEARING KIT
25	63134	RING, SOUND DEADENING
26	63806	RETAINER, SUSPENSION SPRING

LA8800XTN0 HARNES

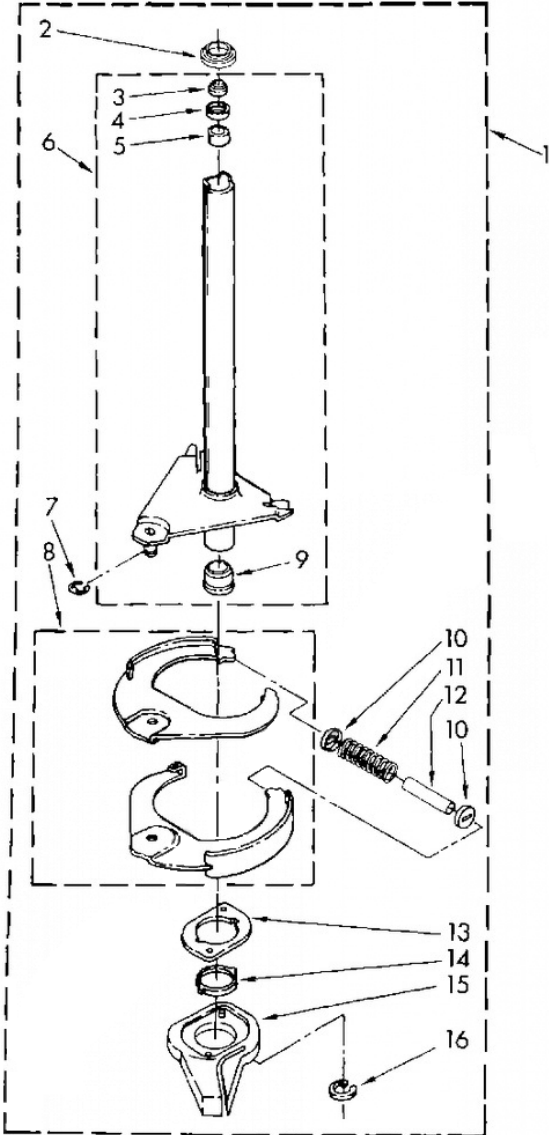




LA8800XTN0 HARNES

1	62732	CLIP, HARNESS (S/P)
2	388498	CLIP, HARNESS DESCONTINUADO
3	98997	CLIP, HARNESS (S/P)
4	3348535	CLIP, HARNESS (3) (S/P)
5	90016	CLIP, HARNESS (S/P)
6	63523	PROTECTOR, HARNESS (S/P)
7	3348080	WIRING HARNESS & PRESSURE SWITCH HOSE (S/P)
8	352090	BLOCK, DISCONNECT DESCONTINUADO
9	352089	BLOCK, DISCONNECT (BLACK) (TIMER) (S/P)
10	352088	TERMINAL, FEMALE (S/P)
11	62889	RECEPTACLE, TERMINAL (3-WAY) (S/P)
12	94614	TERMINAL, FEMALE (S/P)
13	353424	PLUG, TERMINAL (3-WAY) (POWER CORD) (S/P)
14	94613	TERMINAL, MALE (S/P)
15	62505	BLOCK, DISCONNECT (MOTOR) (S/P)
16	353244	HOSE, PRESSURE SWITCH
17	3348075	RECEPTACLE, TERMINAL (2 WAY) DESCONTINUADO

LA8800XTN0 FLECHA HUECA





LA8800XTN0 FLECHA HUECA

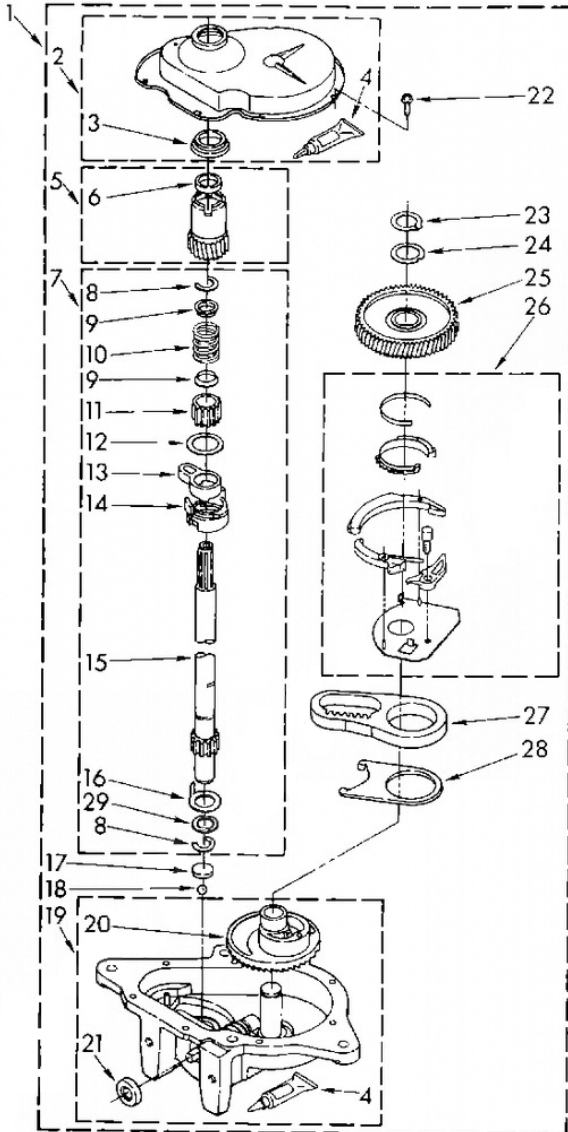
1	285792	BRAKE AND DRIVE TUBE (COMPLETE)
2	62658	RING, THRUST
3	91939	SEAL. OIL
4	356427	SEAL, DRIVE TUBE
5	356937	SPACER, DRIVE TUBE
6	285792	TUBE, BASKET DRIVE (INCLUDES ILLUS. 3, 4, 5, & 9)
7	W10083190	RING, RETAINING (S/P)
8	285438	SHOE, BRAKE
9	62703	``T`` BEARING, SPIN TUBE
10	285658	CAP, BRAKE SPRING (2) (S/P)
11	387806	SPRING, BRAKE
12	285658	SLEEVE, BRAKE SPRING (S/P)
13	661516	CAM, BRAKE RELEASE
14	63022	SLEEVE, CAM DESCONTINUADO
15	64194	DRIVER, BRAKE CAM
16	90368	RING, RETAINING
16	285208	LUBRICANT (S/P)

Distribuidor Autorizado

SurteRápido.com

Venta de Refacciones
Electrodomesticas

LA8800XTN0 TRANSMISION





LA8800XTN0 TRANSMISION

1	3360629	GEARCASE (COMPLETE)
2	285202	COVER, GEARCASE (S/P)
3	3349985	SEAL, GEARCASE COVER
4	285195	SEALER, GASKET (.20 FL. OZ.) (6 ML) (S/P)
5	285362	PINION, SPIN (INCLUDES ILLUS. 25)
6	356427	SEAL, SPIN PINION
7	389387	SHAFT, AGITSTOR (COMPLETE) (S/P)
8	90369	RING, RETAINING (2)
9	62677	RETAINER, SPRING (2)
10	62676	SPRING, AGITATOR (S/P)
11	285509	GEAR, AGITATOR DESCONTINUADO
12	62619	WASHER, AGITATOR GEAR (S/P)
13	285206	FOLLOWER, CAM
14	285206	CAM, AGITATOR
15	389231	SHAFT, AGITATOR (S/P)
16	62618	WASHER, CAM THRUST
17	285205	BEARING, THRUST
18	285205	BALL, BEARING
19	285515	BOTTOM AND PINION, GEARCASE (S/P)
20	285515	GEAR, MAIN DRIVE (S/P)
21	285352	SEAL, THRUST PLUG
22	90864	SCREW, GEARCASE COVER MOUNTING (8) (S/P)
23	285765	RING, RETAINING
24	285735	WASHER KIT, THRUST
25	285362	GEAR, SPIN
26	388253	NEUTRAL ASSEMBLY
27	3949609	RACK, CONNECTING
28	62621	ACTUATOR, SHIFT
29	388815	WASHER, INTERMEDIAT (S/P)