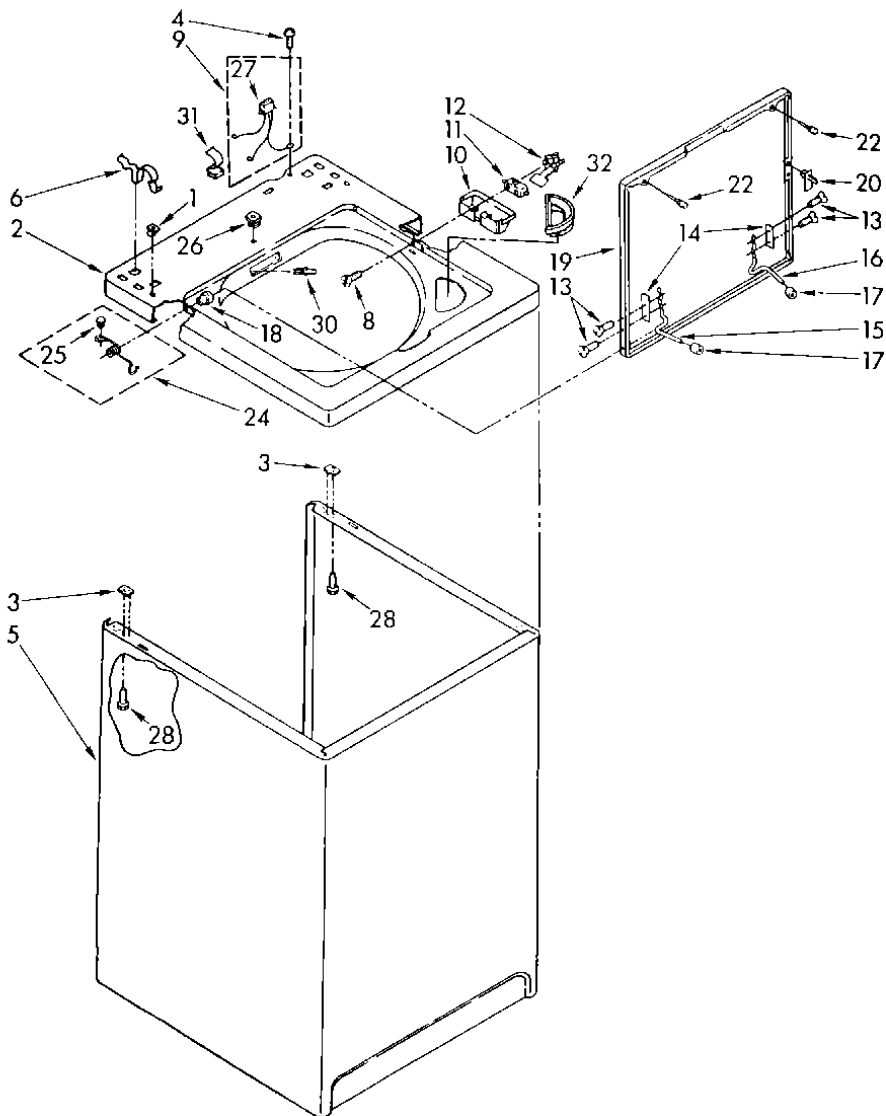


Distribuidor Autorizado

SurteRápido.com

Venta de Refacciones  
Electrodomesticas

# LA9500XTN0 GABINETE





## LA9500XTN0 GABINETE

1	358473	NUT, PUSH-IN (2) (S/P)
2	3359083	TOP (WHITE) (S/P)
2	3359084	TOP (ALMOND) (S/P)
2	388353	TOP (TOAST) (S/P)
2	388354	TOP (PLATINUM) (S/P)
2	388355	TOP (GOLDEN HARVEST) (S/P)
3	62750	SPACER, CABINET TO TOP (4) (S/P)
4	687128	SCREW, 10-16 X 1/2 (S/P)
5	63424	CABINET (WHITE) (S/P)
5	63428	CABINET (GOLDEN HARVEST) (S/P)
5	63426	CABINET (TOAST) (S/P)
5	63425	CABINET (ALMOND)
5	63427	CABINET (PLATINUM) (S/P)
6	62780	CLIP, TOP & CABINET & REAR PANEL (2)
8	354764	SCREW & WASHER, LID SWITCH (2)
9	63833	HARNESS, LID SWITCH <b>DESCONTINUADO</b>
10	359231	SHIELD, LID SWITCH (S/P)
11	279347	SWITCH, LID
12	350733	ACTUATOR, LID SWITCH
13	3351355	SCREW, LID HINGE MOUNTING (4) (S/P)
14	21097	PAD, LID HINGE (2) (S/P)
15	54584	HINGE, LID (L.H.) (S/P)
16	54583	HINGE, LID (R.H.) (S/P)
17	19119	BUMPER, LID HINGE (S/P)
18	21258	BEARING, LID HINGE (2) (S/P)
19	3957563	LID (WHITE) (S/P)
19	3957564	LID (ALMOND) (S/P)
19	3354573	LID (PLATINUM) (S/P)
19	3354572	LID (TOAST) (S/P)
19	285881	LID (GOLDEN HARVEST) (S/P)
20	358684	STRIKE, LID SWITCH
22	93770	BUMPER, LID (2)
24	3349948	SPRING & BUTTON, LID (S/P)

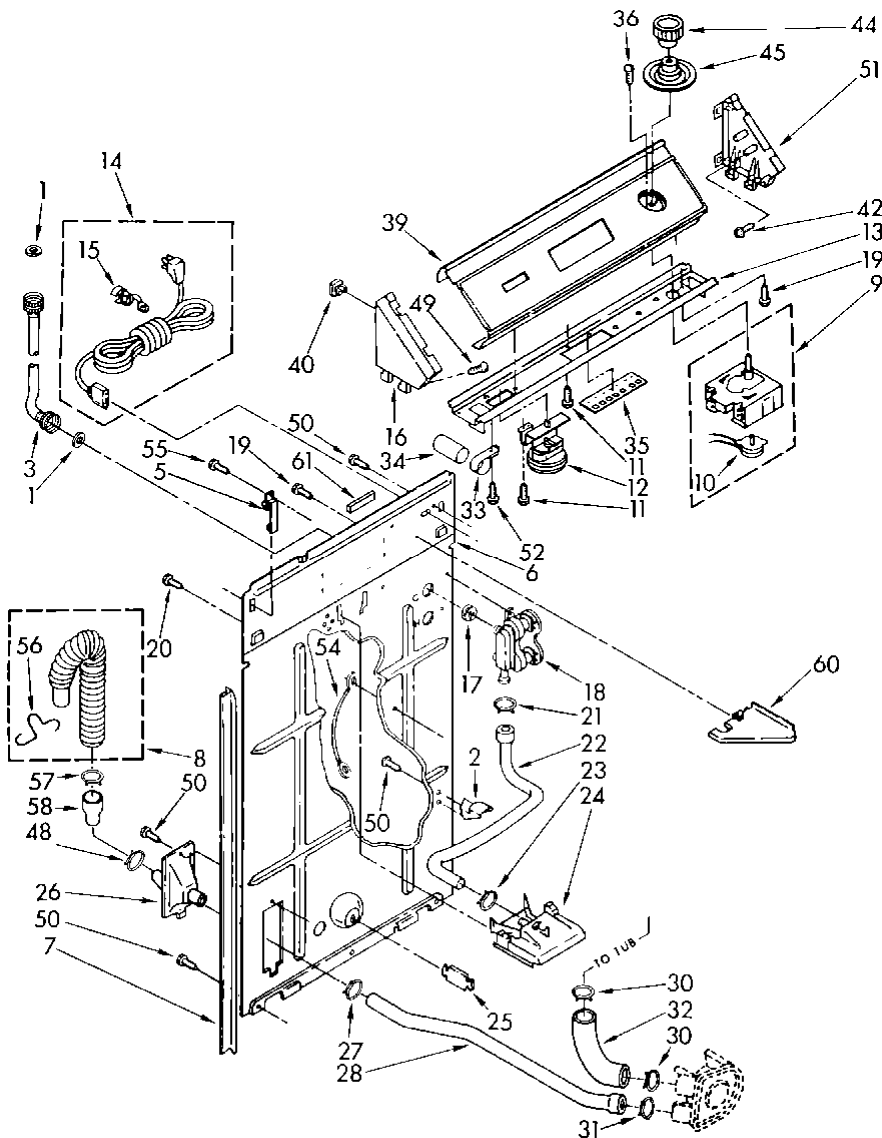
25	54690	PLUG, BUTTON <b>(S/P)</b>
26	358472	STOP, PUSH-IN TOP <b>DESCONTINUADO</b>
27	62888	PLUG, TERMINAL (3-WAY) <b>DESCONTINUADO</b>
28	384435	SCREW, 10-16 X 1/2 (4) <b>(S/P)</b>
30	354239	RIVET, SERIAL NAMEPLATE <b>(S/P)</b>
31	90016	CLIP, HARNESS <b>(S/P)</b>
32	3362952	DISPENSER, BLEACH

Distribuidor Autorizado

SurteRápido.com

Venta de Refacciones  
Electrodomesticas

# LA9500XTN0 TABLERO



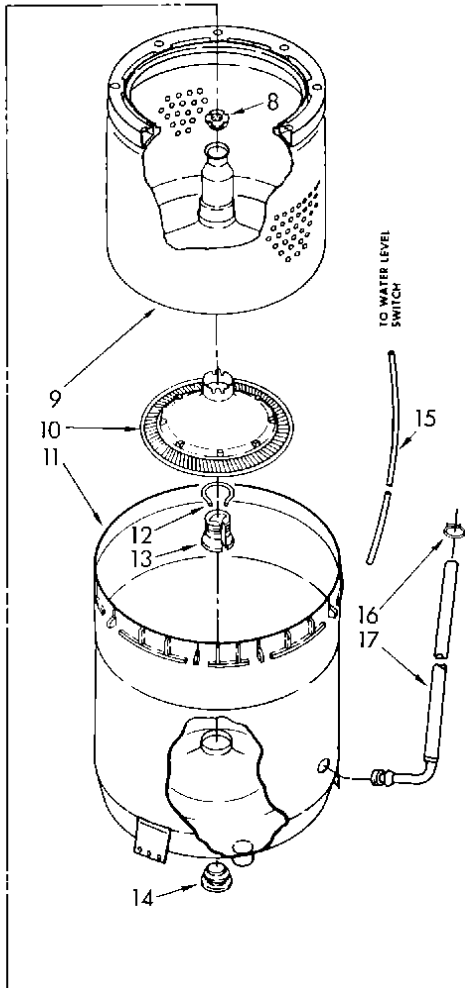
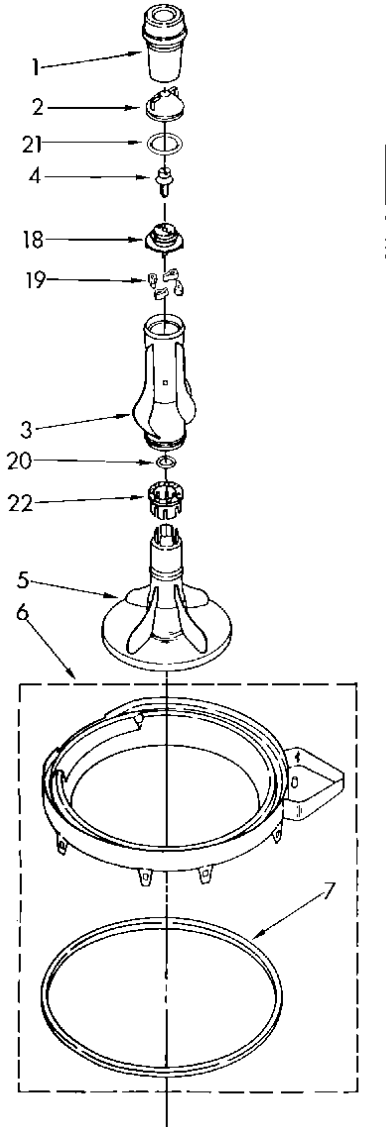


## LA9500XTN0 TABLERO

1	16123	WASHER, WATER INLET HOSE (4) (1-1/16 X 5/8) <b>(S/P)</b>
2	63162	PIN, CABINET GUIDE (2) <b>(S/P)</b>
3	89503	HOSE, WATER INLET (2)
5	387402	HINGE, CONSOLE (2)
6	285931	PANEL, REAR <b>(S/P)</b>
7	62747	PAD, REAR PANEL <b>(S/P)</b>
8	285664	HOSE, CORRUGATED PLASTIC DRAIN (5 1/2 FT.)
9	3356057	TIMER, CONTROL (60 HZ.)
10	63493	MOTOR, TIMER <b>(S/P)</b>
11	90767	SCREW, 8A X 3/8 <b>(S/P)</b>
12	3351160	SWITCH, PRESSURE
13	3351951	BRACKET, CONTROL <b>(S/P)</b>
14	285800	CORD, POWER <b>(S/P)</b>
15	285777	STRAIN RELIEF, POWER CORD <b>(S/P)</b>
16	285653	CAP, END (L.H.)
17	96160	SCREEN, FILTER (2) <b>(S/P)</b>
18	285805	VALVE, WATER MIXING
19	90864	SCREW, 10-24 X 3/8 (2) <b>(S/P)</b>
20	359262	SCREW, GROUND (10-16 X 1/2) <b>(S/P)</b>
21	596669	CLAMP, HOSE <b>(S/P)</b>
22	3357328	HOSE, VACUUM BREAK
23	596669	CLAMP, HOSE <b>(S/P)</b>
24	3360977	BREAK, VACUUM
25	8519200	SUPPORT, REAR PANEL
26	3976399	CONNECTOR, DRAIN HOSE
27	356138	CLAMP, HOSE <b>(S/P)</b>
28	3348552	HOSE, PUMP TO DRAIN CONNECTOR
30	371502	CLAMP, HOSE <b>(S/P)</b>
31	285655	CLAMP, HOSE <b>(S/P)</b>
32	285871	HOSE, PUMP TO TUB
33	357030	CLAMP, CAPACITOR <b>(S/P)</b>
34	8572720	CAPACITOR, MOTOR START <b>(S/P)</b>
35	3352025	SWITCH, CLEAN TOUCH (7 PAD) <b>(S/P)</b>

36	96435	SCREW, TIMER MOUNTING (10-32 X 1) (2) (S/P)
39	3352061	PANEL, CONSOLE (S/P)
40	689559	NUT, PUSH-IN (2) (S/P)
42	355326	SCREW, 13-16 X 5/8 (4) (S/P)
44	3349233	KNOB, TIMER (S/P)
45	64138	DIAL, TIMER
48	356138	CLAMP, HOSE (S/P)
49	64211	SCREW, 8-18 (2) (PANEL TO TOP) (S/P)
50	62863	SCREW, 10-16 X 3/8 (S/P)
51	285653	CAP, END. (R.H.) (S/P)
52	9420601	SCREW, 10-16 X 5/16 (S/P)
54	303485	WIRE, GROUND (S/P)
55	9416643	SCREW, HINGE TO REAR PANEL (10-16 X 1/2) 2 (S/P)
56	3350222	RETAINER, WIRE (S/P)
57	616099	CLAMP, HOSE (S/P)
58	384496	COUPLING, HOSE
60	8539874	SHEILD, SUDS (S/P)
61	3367669	EDGE PROTECTOR (S/P)

**LA9500XTN0 TINAS**



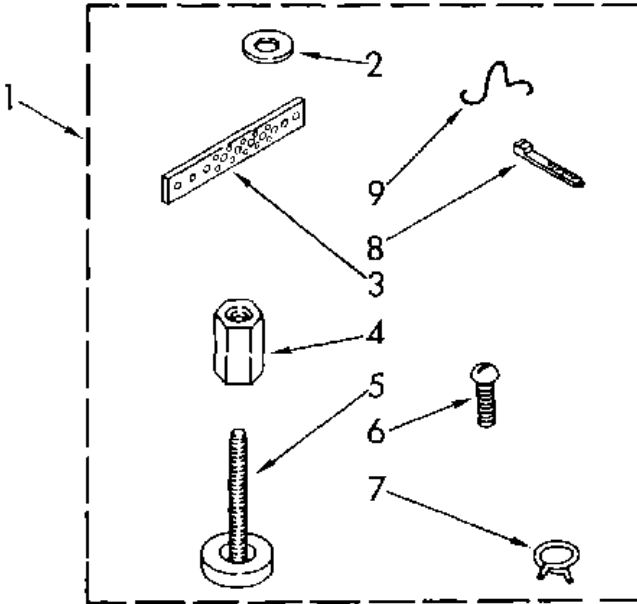


## LA9500XTN0 TINAS

1	63580	DISPENSER, FABRIC SOFTENER
2	285551	CAP, BARRIER
3	3348752	CLOTHES MOVER
4	358237	SCREW AND WASHER
5	3347288	AGITATOR
6	8528150	TUB RING <b>(S/P)</b>
7	3976308	GASKET, TUB RING
8	21366	NUT, SPANNER
9	3350649	BASKET <b>(S/P)</b>
10	285868	FILTER, PLATE (INCLUDES ILLUS. 12)
11	3361596	TUB <b>(S/P)</b>
12	62942	LOCK, FILTER <b>(S/P)</b>
13	389140	BLOCK, DRIVE
14	383727	GASKET, CENTER POST
15	353244	HOSE, PRESSURE SWITCH
16	596669	CLAMP, HOSE <b>(S/P)</b>
17	63323	HOSE, BLEACH <b>DESCONTINUADO</b>
18	285811	CAM DRIVEN
19	285770	DOG, AGITATOR CLUTCH
20	357574	SEAL, AGITATOR
21	3348855	SEAL, INNER CAP
22	285587	SPACER, THRUST

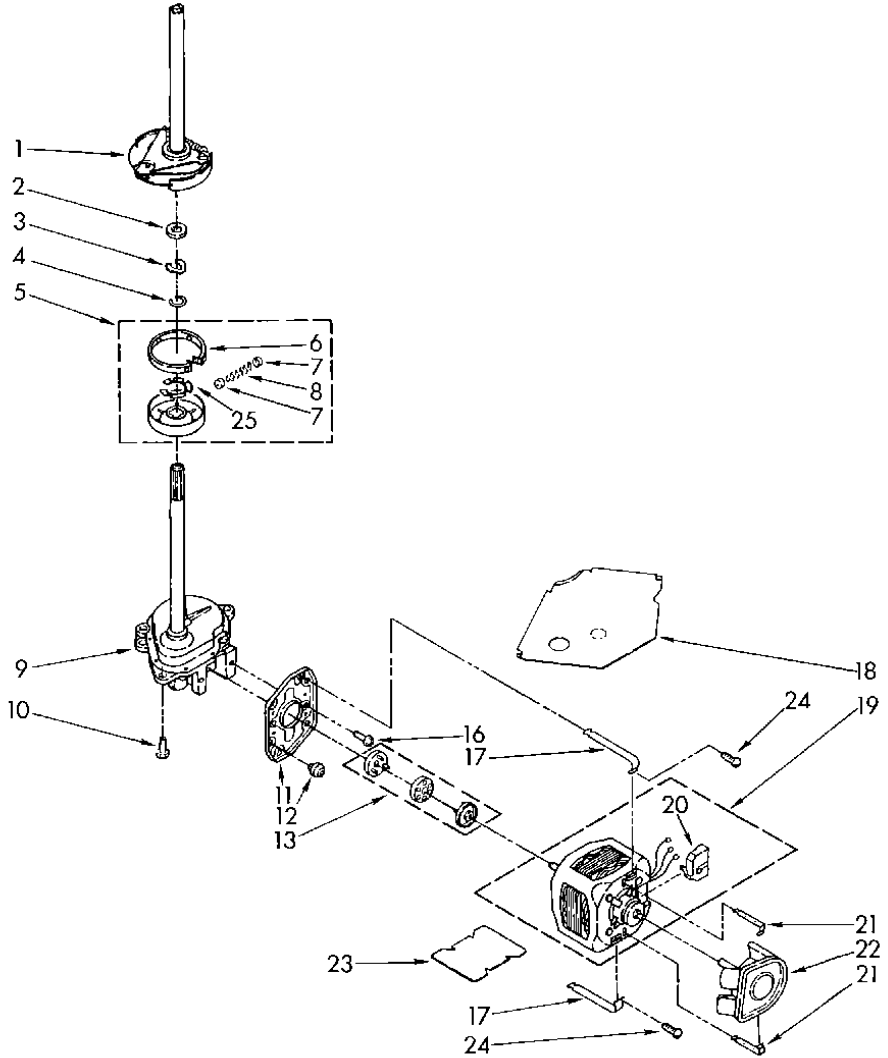


**LA9500XTN0 PATA**



1	285609	MISCELLANEOUS PARTS BAG (S/P)
2	16123	WASHER, INLET HOSE (1-1/16 X 5/8) (4) (S/P)
3	22965	STRAP, GROUND (S/P)
4	62739	NUT, LOCK (2) (3/8-16)
5	389102	FOOT, FRONT (2)
6	132848	SCREW, GROUND (10-24 X 1) (S/P)
7	356138	CLAMP, HOSE (S/P)
8	3347868	CABLE TIE (S/P)
9	3350222	RETAINER, DRAIN HOSE (S/P)

**LA9500XTN0 MOTOR**





## LA9500XTN0 MOTOR

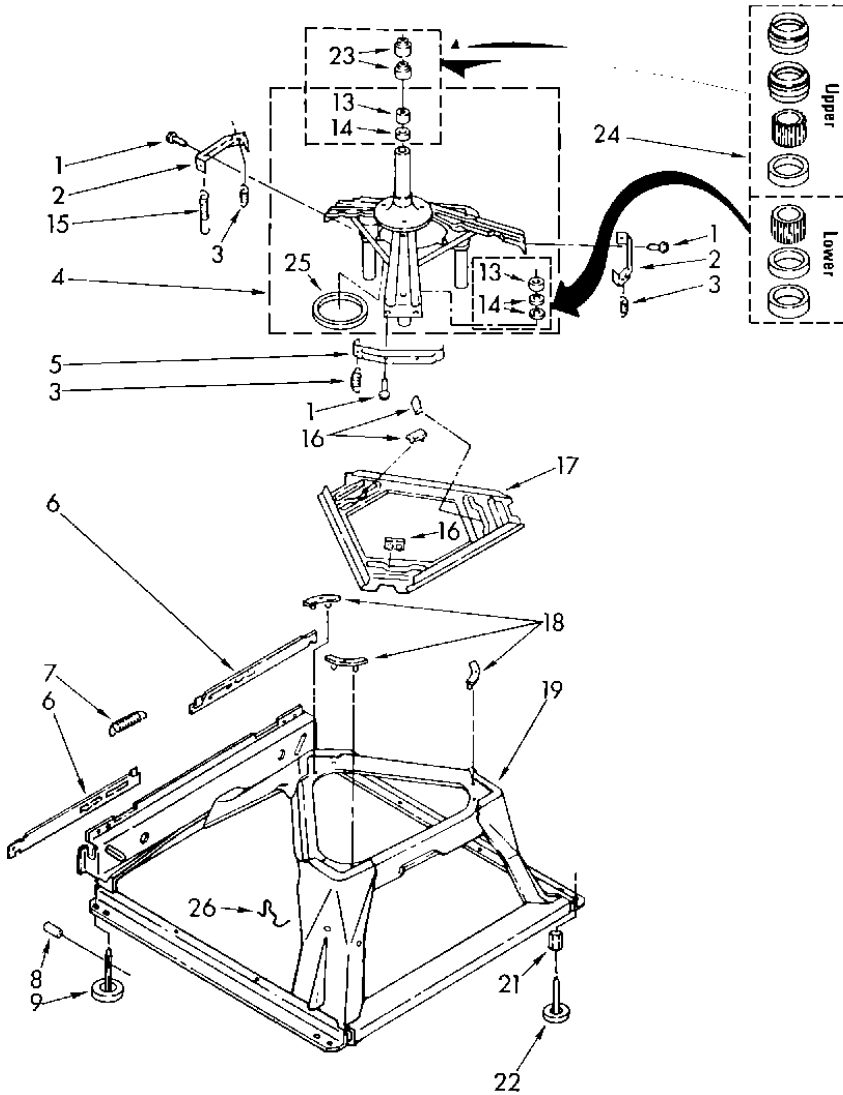
1	285792	BRAKE & DRIVE TUBE (COMPLETE)
2	63292	WASHER, SPIN TUBE THRUST
3	62697	RING, SPIN TUBE SUPPORT
4	285353	RING, RETAINER
5	285785	CLUTCH (COMPLETE)
6	285790	BAND & LINING, CLUTCH (INCLUDES ILLUS. 7 & 8)
7	62646	CAP, CLUTCH SPRING (2) <b>(S/P)</b>
8	285790	SPRING, CLUTCH
9	3360629	GEARCASE (COMPLETE)
10	62735	SCREW, GEARCASE TO BASE (3) <b>(S/P)</b>
11	62611	PLATE, MOTOR MOUNT TO GEARCASE <b>(S/P)</b>
12	62691	GROMMET, MOTOR (4)
13	285753	COUPLING, MOTOR AND ISOLATION
16	98062	SCREW, 5/16-24 X 5/8 (2) <b>(S/P)</b>
17	3349637	RETAINER, MOTOR (2)
18	3362089	SHIELD, TUB TO MOTOR <b>(S/P)</b>
19	3352287	MOTOR, MAIN DRIVE
20	8529896	SWITCH, MAIN DRIVE MOTOR <b>(S/P)</b>
21	62700	RETAINER, PUMP (2)
22	3363394	PUMP, COMPLETE
23	3946532	SHIELD, MOTOR <b>(S/P)</b>
24	357640	SCREW, 10-16X 5/8 (2) <b>(S/P)</b>
25	3355454	CLIP (ANTI-RATTLE) <b>(S/P)</b>

Distribuidor Autorizado

SurteRápido.com

Venta de Refacciones  
Electrodomesticas

LA9500XTN0 BASE

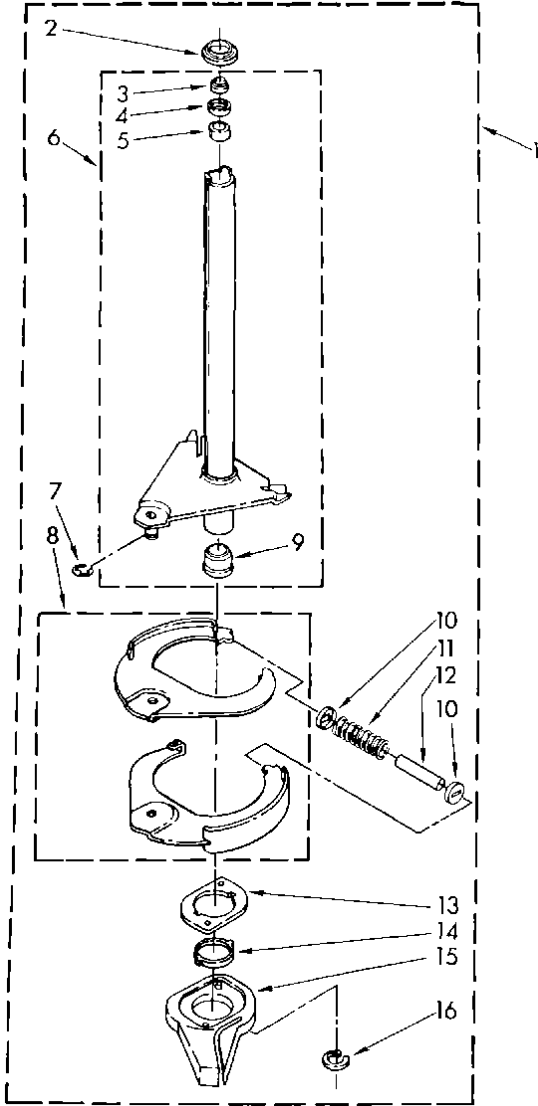




## LA9500XTN0 BASE

1	98610	SCREW, BRACKET MOUNTING (10-16 X 5/8) (6) <b>(S/P)</b>
2	64067	BRACKET, SPRING OUTER (2)
3	63907	SPRING, SUSPENSION (3)
4	280184	SUPPORT & BRAKE, TUB <b>(S/P)</b>
5	64065	BRACKET, SPRING OUTER (L.F.)
6	63466	LINK, LEVELING MECHANISM (2) <b>(S/P)</b>
7	8316845	SPRING, LEVELING MECHANISM
8	62837	PIN, KNURLED <b>(S/P)</b>
9	285244	FOOT, REAR (2)
13	8546455	BEARING, CENTERPOST (2) <b>(S/P)</b>
14	359449	SEAL, CENTERPOST (3)
15	388492	SPRING, COUNTERWEIGHT
16	285219	PAD, PLATE
17	3946509	PLATE, SUSPENSION (INCLUDES ILLUS. 16) <b>(S/P)</b>
18	285744	PAD, BASE
19	285771	BASE ASSEMBLY
21	62739	NUT, LOCK (3/8-16) (2)
22	389102	FOOT, FRONT (2)
23	91938	SEAL, CENTERPOST (2)
24	285203	CENTERPOST BEARING KIT
25	63134	RING, SOUND DEADENING
26	63806	RETAINER, SUSPENSION SPRING

**LA9500XTN0 FLECHA HUECA**





## LA9500XTN0 FLECHA HUECA

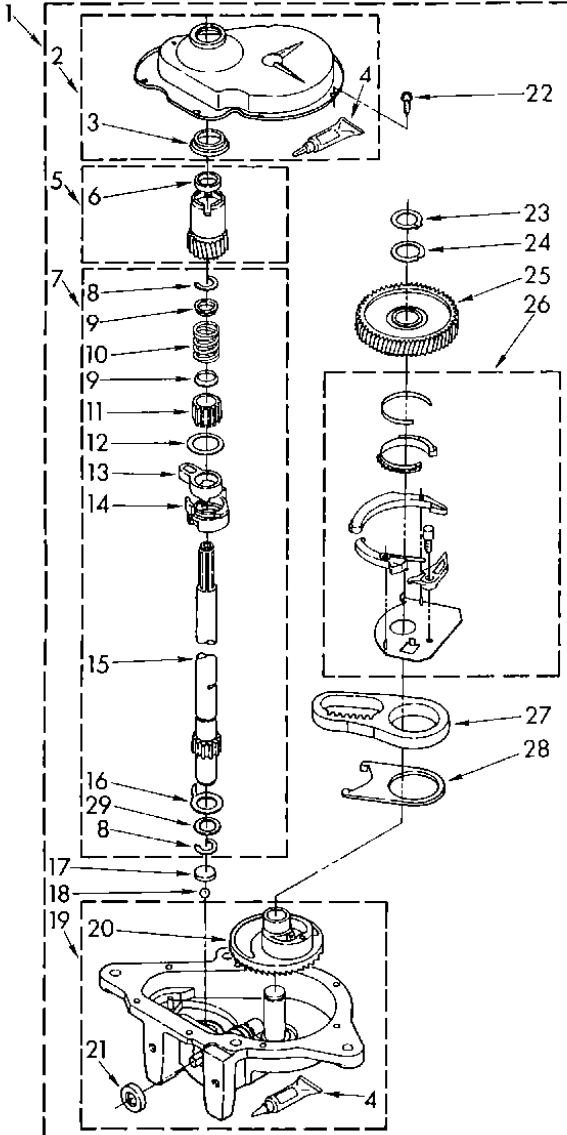
1	285792	BRAKE AND DRIVE TUBE (COMPLETE)
2	62658	RING, THRUST
3	91939	SEAL. OIL
4	356427	SEAL, DRIVE TUBE
5	356937	SPACER, DRIVE TUBE
6	64208	TUBE, BASKET DRIVE
7	64035	RING, RETAINING <b>(S/P)</b>
8	285438	SHOE, BRAKE
9	62703	``T`` BEARING, SPIN TUBE
10	285658	CAP, BRAKE SPRING (2) <b>(S/P)</b>
11	387806	SPRING, BRAKE
12	285658	SLEEVE, BRAKE SPRING <b>(S/P)</b>
13	661516	CAM, BRAKE RELEASE
14	63022	SLEEVE, CAM <b>DESCONTINUADO</b>
15	64194	DRIVER, BRAKE CAM
16	90368	RING, RETAINING
16	285208	LUBRICANT <b>(S/P)</b>

Distribuidor Autorizado

SurteRápido.com

Venta de Refacciones  
Electrodomesticas

# LA9500XTN0 TRANSMISION







## LA9500XTN0 TRANSMISION

1	3360629	GEARCASE (COMPLETE)
2	62685	COVER, GEARCASE (S/P)
3	3349985	SEAL, GEARCASE COVER
4	285195	SEALER, GASKET (.20 FL. OZ.) (6 ML) (S/P)
5	285362	PINION, SPIN (INCLUDES ILLUS. 25)
6	356427	SEAL, SPIN PINION
7	389387	SHAFT, AGITSTOR (COMPLETE) (S/P)
8	90369	RING, RETAINING (2)
9	62677	RETAINER, SPRING (2)
10	62676	SPRING, AGITATOR (S/P)
11	285509	GEAR, AGITATOR <b>DESCONTINUADO</b>
12	62619	WASHER, AGITATOR GEAR (S/P)
13	285206	FOLLOWER, CAM
14	285206	CAM, AGITATOR
15	389231	SHAFT, AGITATOR (S/P)
16	62618	WASHER, CAM THRUST
17	285205	BEARING, THRUST
18	285205	BALL, BEARING
19	285515	BOTTOM AND PINION, GEARCASE (S/P)
20	285515	GEAR, MAIN DRIVE (S/P)
21	285352	SEAL, THRUST PLUG
22	90864	SCREW, GEARCASE COVER MOUNTING (8) (S/P)
23	285765	RING, RETAINING
24	285735	WASHER KIT, THRUST (S/P)
25	285362	GEAR, SPIN
26	388253	NEUTRAL ASSEMBLY
27	3949609	RACK, CONNECTING
28	62621	ACTUATOR, SHIFT
29	388815	WASHER, INTERMEDIATE (S/P)