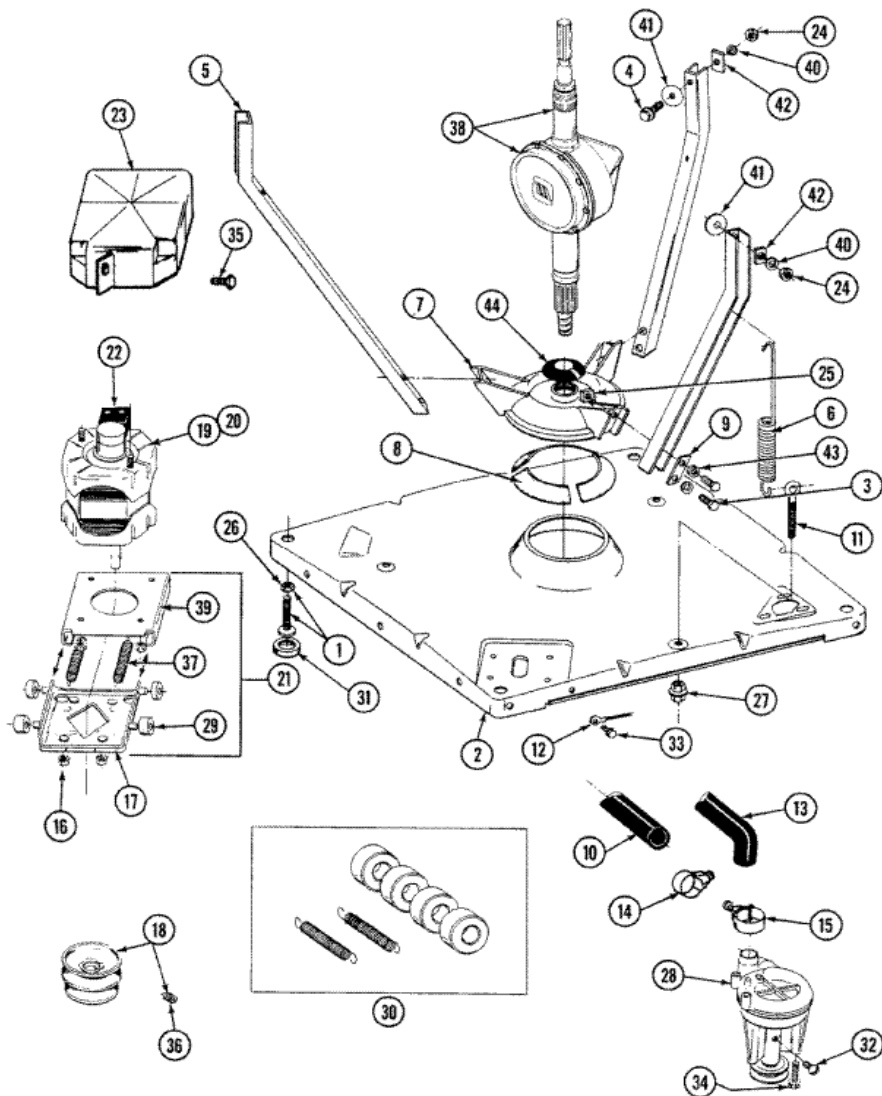


Distribuidor Autorizado

SurteRápido.com

Venta de Refacciones
Electrodomesticas

LA9800 BASE





LA9800 BASE

1	22003428	LEG, ADJUSTABLE (W/NUT)
2	203274	BASE WITH DAMPER PADS (S/P)
3	Y015627	SCREW, HEX HD CAP 5/16 X 5/8 (S/P)
4	200744	BOLT & GASKET ASSY.(SHORT) (S/P)
4	205254	BOLT & GASKET ASSEMBLY (LONG) (S/P)
5	213053	BRACE, TUB
6	213054	CENTERING SPRING - 3 USED
7	2-3725	DAMPER W/BOLT & CLIP
8	203956	DAMPER PAD KIT (W/POLY LUBE)
9	213073	WASHER, DOUBLE (S/P)
10	22001448	HOSE, PUMP TO SIPHON BREAK
11	216416	EYE BOLT FOR CENTER SPRING (S/P)
12	204807	GRND.WIRE, SUPP.PLTE TO TOP CVR (S/P)
13	213045	DRAIN HOSE-TUB TO PUMP
14	285655	HOSE CLAMP - 1-5/8 INCH (S/P)
15	3367052	CLAMP, HOSE (S/P)
16	311246	KEPS NUT-MOTOR BASE (S/P)
17	205908	LOWER MOTOR MOUNT (S/P)
18	200816	PULLEY, MOTOR (W/SET SCREW) (S/P)
19	12002351	MOTOR (ONE SPEED)
20	12002353	MOTOR - TWO SPEED 120-60
21	205999	MOTOR MOUNT ASSM COMPLETE
22	205134	DESCONTINUADO
22	206505	DESCONTINUADO
22	205133	DESCONTINUADO
22	206504	MOTOR EXTERNAL START SWITCH (S/P)
22	205131	SWITCH, MOTOR START (S/P)
22	205132	SWITCH, MOTOR START (S/P)
23	215098	SHIELD, MOTOR
24	Y052734	NUT (S/P)
25	Y052785	NUT, BRACE TO DAMPER (S/P)
26	210385	NUT, LOCK (S/P)
27	211949	NUT, EYEBOLT (S/P)

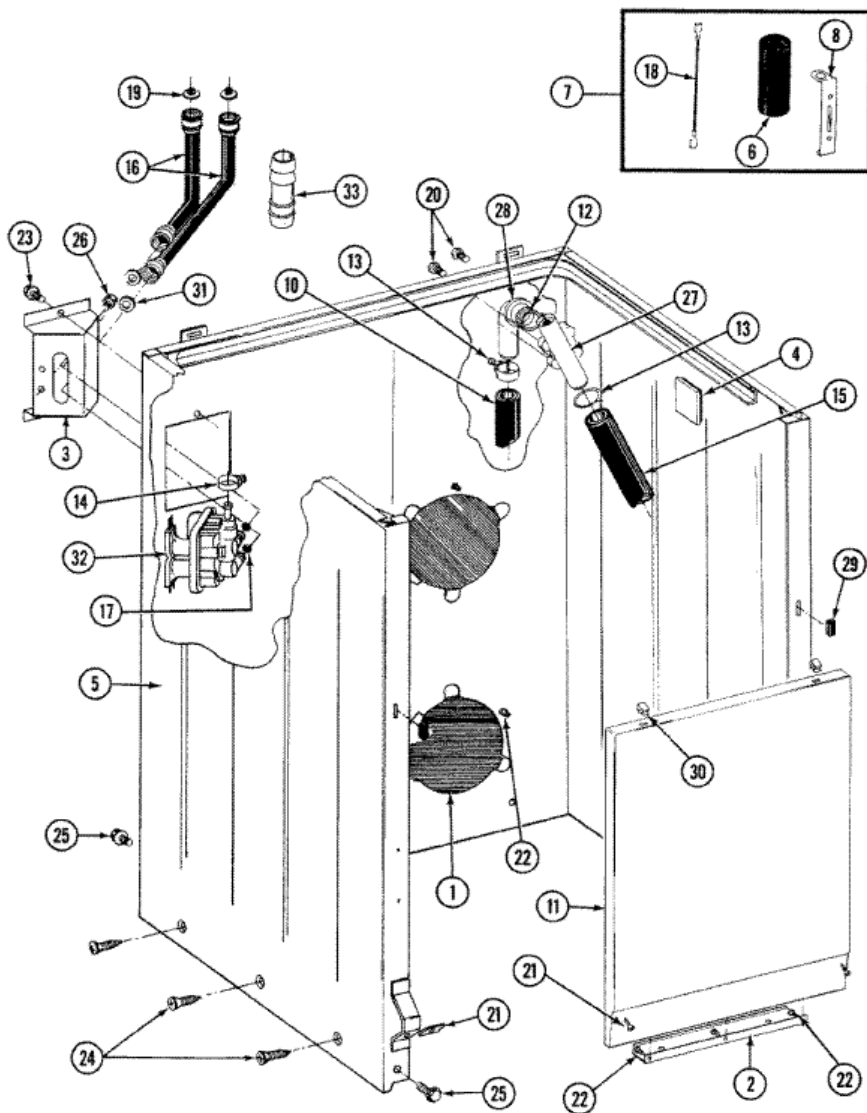
28	2-2203	PUMP AS PAK
29	2-5000	GLIDE KIT (4 W/POLY LUBE)
30	2-5000	GLIDE & SPRING KIT
31	210684	FOOT, RUBBER
32	22003235	SCREW, BEARING INSERT (S/P)
33	210186	DESCONTINUADO
34	211880	SCREW, HEX HD No.10 X 1/2 INC (S/P)
35	213121	SCREW (S/P)
36	Y053241	SET SCREW, PULLEY (S/P)
37	2-5000	TENSION SPRINGS
38	22002126	TRANSMISSION, ORBITAL
39	214956	MOUNT, MOTOR/UPPER (S/P)
40	Y054867	WASHER, LOCK (S/P)
41	211100	WASHER, CUSHION (S/P)
42	212979	WASHER, TUB BRACE (S/P)
43	486009	WASHER, LOCK (BRACE) (S/P)
44	22001586	DEFLECTOR, WATER (DRIVE TUBE) (S/P)

Distribuidor Autorizado

SurteRápido.com

Venta de Refacciones
Electrodomesticas

LA9800 GABINETE





LA9800 GABINETE

1	211878	PLATE, ACCESS (S/P)
2	213846	GUARD, BELT (S/P)
3	22002361	BRACKET, WATER VALVE (S/P)
4	215058	PAD, CABINET BUMPER (S/P)
5	203319L	(ALMOND) (S/P)
6	Y200832	CAPACITOR (S/P)
7	206103	CAPACITOR KIT (S/P)
8	211149	CLIP, CAPACITOR (S/P)
9	202860	CARTON OF 25 HOSE, 5` (S/P)
10	Y059149	(7/8` I.D. CARTON OF 50 FT.) (S/P)
10	216017	HOSE, DRAIN (7/8` I.D.) (S/P)
10	215279	HOSE, DRAIN
11	216078	FRONT PANEL-ALMOND (S/P)
12	214765	GASKET, SIPHON BREAK
13	285655	HOSE CLAMP - 1-5/8 INCH (S/P)
14	201575	HOSE CLAMP (S/P)
15	22001448	HOSE, PUMP TO SIPHON BREAK
16	21001467	INLET HOSE, HOT 10 FT. (S/P)
16	202860	INLET HOSE ASSY. (S/P)
16	202860	HOSE, INLET ASSY. (S/P)
16	200672	INLET HOSE ASSY. (S/P)
16	200688	INLET HOSE, HOT 6 FT. (S/P)
17	214337	SCREEN, VALVE (S/P)
18	203237	No.17 WIRE WITH TERMINAL (S/P)
19	12001413	SCREEN WASHER, INLET HOSE (S/P)
20	Y014874	SCREW (S/P)
21	204439	SCREW & FSTNER ASSY(FRT.PANEL)
22	211294	SCREW (S/P)
23	212276	SCREW (S/P)
24	213007	SCREW, CABINET (S/P)
25	213121	SCREW (S/P)
25	213122	DESCONTINUADO
26	Y313561	DESCONTINUADO

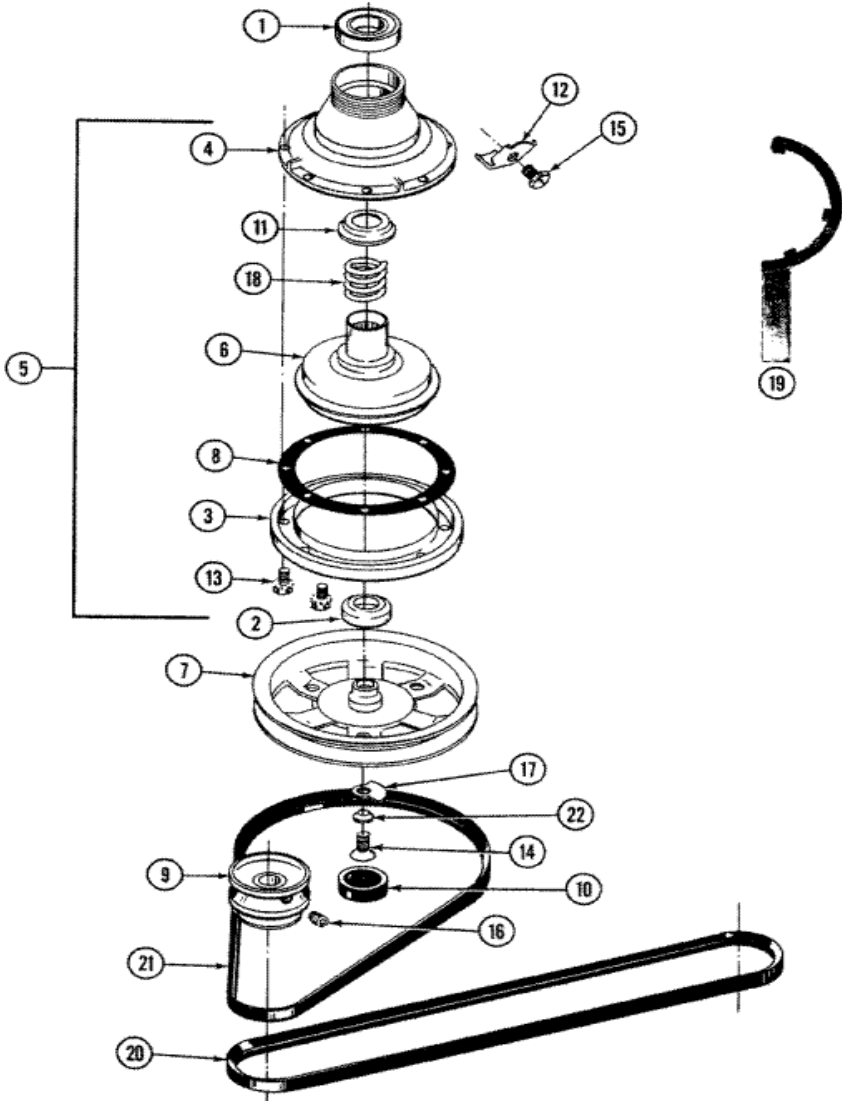
27	206638	SIPHON BREAK(W/CLAMP)
28	216016	ELBOW, SIPHON BREAK
29	22002331	SPACER, FRONT PANEL (S/P)
30	22001650	FASTENER, PANEL
31	Y013783	GASKET, INLET HOSE (S/P)
32	205613	WATER VALVE (S/P)
33	Y216015	HOSE COUPLING (S/P)

Distribuidor Autorizado

SurteRápido.com

Venta de Refacciones
Electrodomesticas

LA9800 CLUTCH





LA9800 CLUTCH

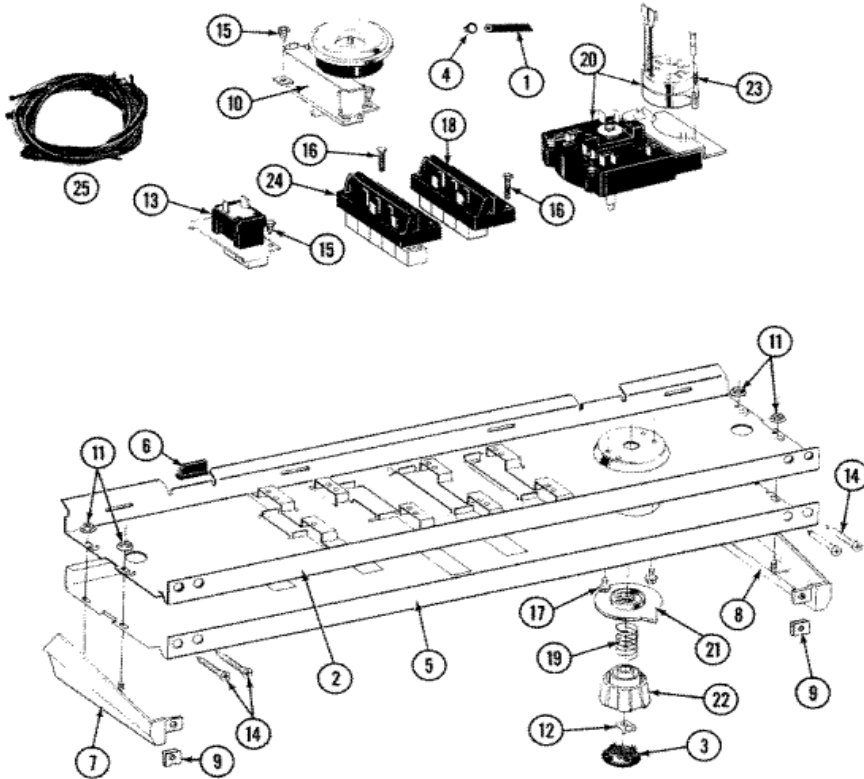
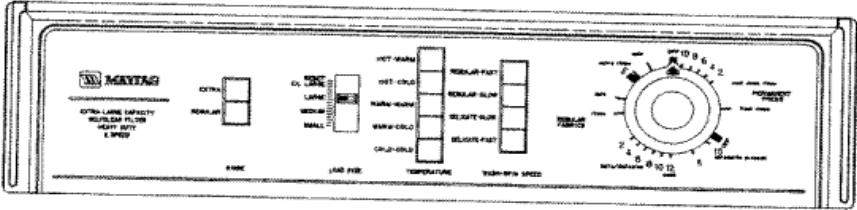
1	22003441	BALL BEARING, RADIAL
2	2-835	BEARING, BRAKE ROTOR
3	2-1190	DRUM, BRAKE
4	2-1190	HOUSING, BRAKE
5	2-1190	BRAKE ASSEMBLY
6	2-1190	ROTOR, BRAKE (W/FACING)
7	22002429	PULLEY, DRIVE
8	2-1190	GASKET, BRAKE DRUM
9	2-816	PULLEY, MOTOR (W/SET SCREW)
10	2-11038	DESCONTINUADO
11	2-1190	RETAINER, BRAKE SPRING
12	213325	CLIP, RETAINER
13	211000	SCREW, HEX HEAD (BRAKE DRUM) (S/P)
14	2-11375	SCREW, STOP LUG(CENTER SHAFT)
15	213326	SCREW, RETAINING CLIP (S/P)
16	Y053241	SET SCREW, PULLEY (S/P)
17	211089	LUG, STOP
18	2-1190	SPRING, BRAKE
19	38315	DESCONTINUADO
20	2-11124	V BELT, PUMP
21	2-11125	V BELT, DRIVE PULLEY
22	22003555	WASHER, LOCK

Distribuidor Autorizado

SurteRápido.com

Venta de Refacciones
Electrodomesticas

LA9800 TABLERO

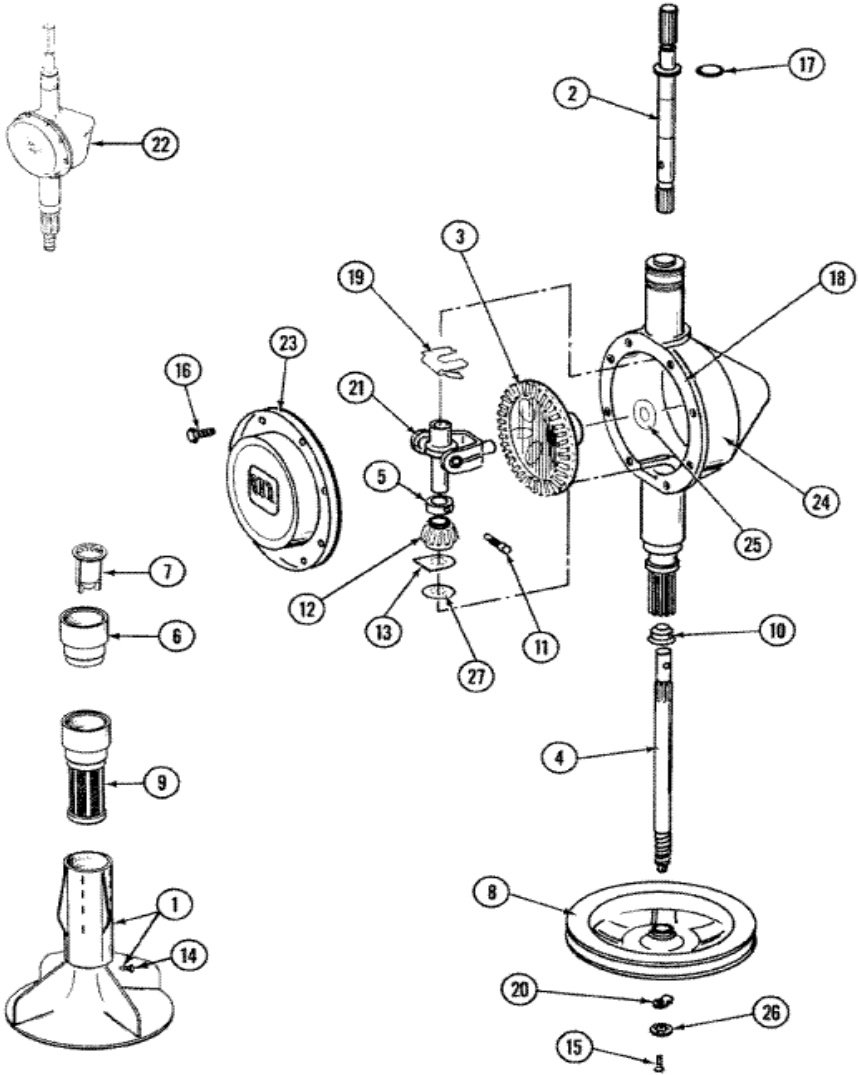




LA9800 TABLERO

1	22001866	SCREW (S/P)
2	214809	BACK UP PLATE (S/P)
3	215821	DESCONTINUADO
4	410296	CLAMP, WATER LEVEL SWTCH TUBE (S/P)
5	207385	DESCONTINUADO
6	214897	PAD, CONTROL PANEL (S/P)
7	207215	END CAP LH (S/P)
8	207216	END CAP RH (S/P)
9	214894	FASTENER, END CAP (S/P)
10	207360	INFINITE LEVEL PRESS SWITCH
11	214872	PALNUT, END CAP (S/P)
12	211605	RETAINER, TIMER KNOB
13	207365	2 BUTTON SWITCH (S/P)
14	210932	SCREW, No.8 X 9/16 CTSK (S/P)
15	211168	SCREW, No.8 X 5/16 INCH (S/P)
16	213117	SCREW-TEMP. SWITCH TO PANEL (S/P)
17	213966	SCREW-TIMER TO CONTROL PANE (S/P)
18	207369	DESCONTINUADO
19	2-11065	SPRING, TIMER KNOB
20	207371	TIMER
21	215827	TIMER DIAL SKIRT
22	215828	KNOB, TIMER (BLK)
23	22205033	TIMER MOTOR 120-60 (S/P)
24	207366	TEMP CONTROL SWITCH - 5 BUTTON
25	207380	WIRE HARNESS (S/P)

LA9800 TRANSMISION





LA9800 TRANSMISION

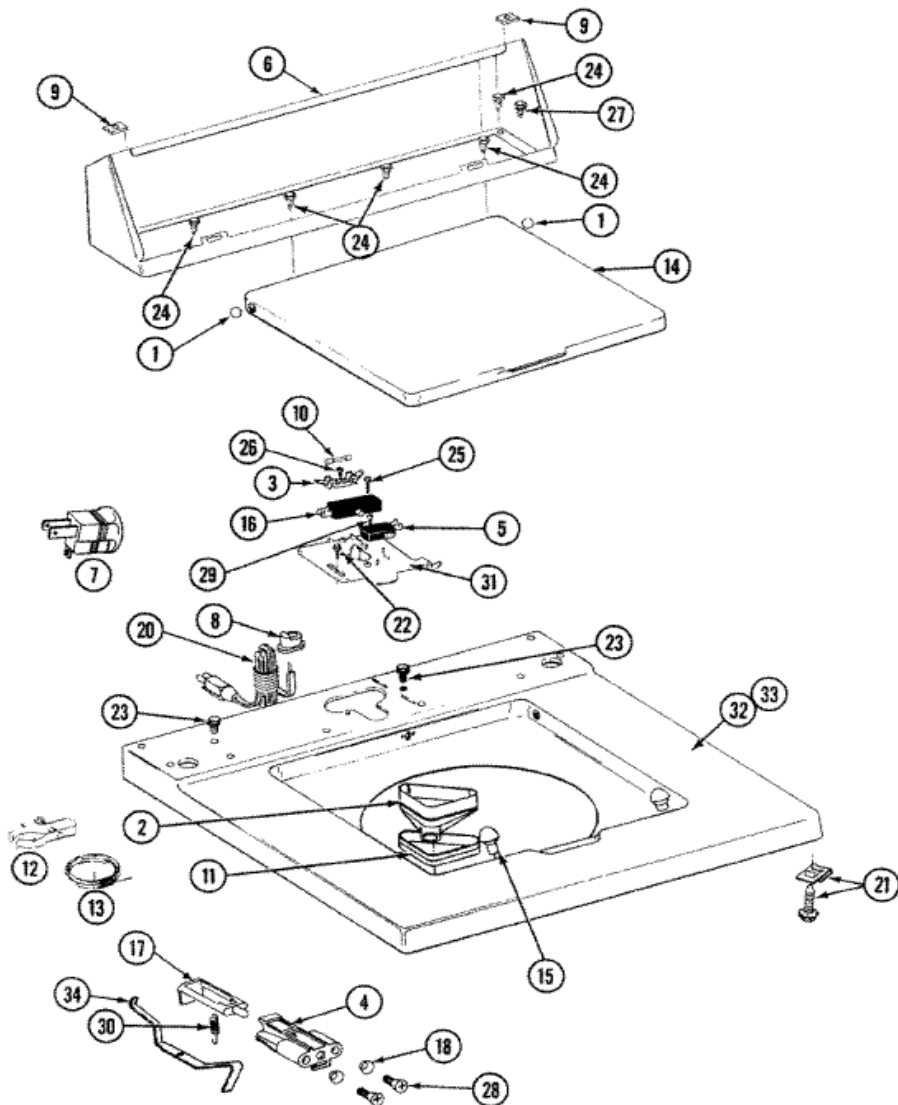
1	207228	AGITATOR W/LOCK SCREW
2	22002132	SHAFT, AGITATOR (W/SPRING)
3	206713	GEAR, BEVEL
4	12001450	CENTER SHAFT – LARGER (S/P)
5	215415	DESCONTINUADO
6	215721	DISPENSING CAP (S/P)
7	215733	DISPENSING CUP (S/P)
8	22002429	PULLEY, DRIVE
9	207426	LINT FILTER DEEP (S/P)
9	207657	LINT FILTER DEEP (S/P)
10	207843	SEAL, LIP (CENTER SHAFT)
11	206629	PIN, COLLAR
12	215401	PINION
13	215395	PLATE, CLUTCH
14	206478	SCREW & WASHER FOR AGITATOR
15	211375	SCREW, STOP LUG(CENTER SHAFT) (S/P)
16	215417	SCREW, TRANSMISSION COVER (S/P)
17	210690	SEAL, RUBBER
18	Y058700	SILASTIC, ADH.SEALANT (S/P)
19	215581	SPRING, AGITATOR SHAFT
20	211089	LUG, STOP
21	206685	BLOCK, TORQUE AND YOKE ASSEMBL
22	22002126	TRANSMISSION, ORBITAL
23	206628	COVER, TRANSMISSION (S/P)
24	22002126	HOUSING, TRANSMISSION
25	215394	WASHER, BEVEL GEAR (S/P)
26	22003555	WASHER, LOCK
27	211483	WASHER, SPLINED

Distribuidor Autorizado

SurteRápido.com

Venta de Refacciones
Electrodomesticas

LA9800 TAPA





LA9800 TAPA

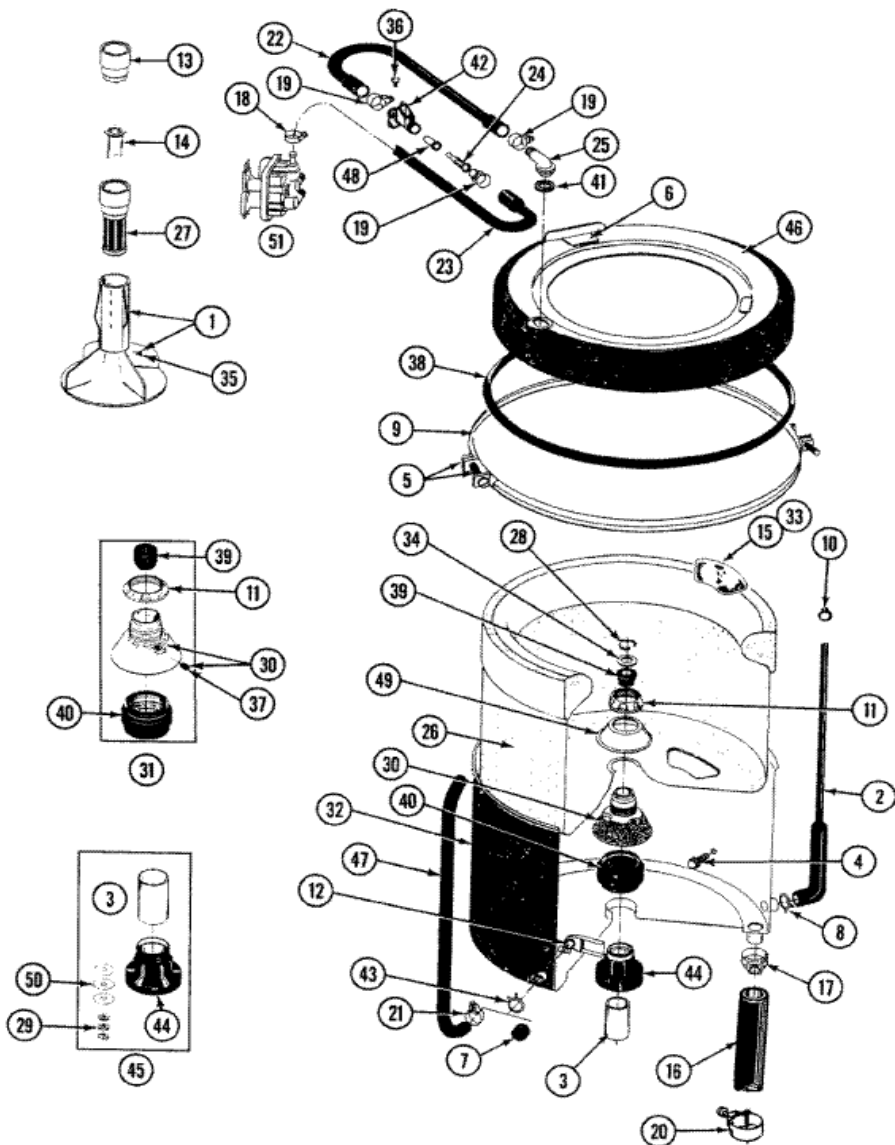
1	2-11726	HINGE, BALL
2	215578	BLEACH INLET ALMOND (S/P)
3	207167	BLOCK, FUSE
4	22002135	BRACKET, UNBALANCE (S/P)
4	204968	BRACKET F/LID SWITCH PLUNGE
5	207166	SWITCH, CHECK
6	205635L	DESCONTINUADO
7	Y201808	CONVERTER (S/P)
8	2-11881	GROMMET, CORD
9	215075	FASTENER, CNTRL PNL TO CONSOLE (S/P)
10	22001555	FUSE
11	214436	GASKET (S/P)
12	301548	CLAMP, GROUND (W/SCREW) (S/P)
13	311155	GROUND WIRE (S/P)
14	212073L	DESCONTINUADO
15	212716	BUMPER, LID
16	205415	SWITCH, LID (W/O TUB LIGHT)
17	208591	DESCONTINUADO
18	211500	WASHER, BRACKE TO TOP COVER (S/P)
19	205997	NON-BLEACH CONVERSION KIT (S/P)
20	2-4590	POWER CORD
21	204445	SCREW & FASTENER ASY. (S/P)
24	211294	SCREW (S/P)
25	213501	SCREW, No.6-20 X 1-1/8 INCH (S/P)
26	215705	SCREW (S/P)
27	Y313559	SCREW (S/P)
29	912012	SCREW (S/P)
30	213720	SPRING (S/P)
31	22001678	BRACKET, SWITCH & FUSE
32	207170L	DESCONTINUADO
33	207172L	DESCONTINUADO
34	215704	UNBALANCE LEVER (S/P)

Distribuidor Autorizado

SurteRápido.com

Venta de Refacciones
Electrodomesticas

LA9800 TINA





LA9800 TINA

1	207228	AGITATOR W/LOCK SCREW
2	22001619	AIR DOME AND TUBE
3	2-11130	LINER, TUB BEARING
4	200744	BOLT & GASKET ASSY.(SHORT) (S/P)
4	205254	BOLT & GASKET ASSEMBLY (LONG) (S/P)
5	205529	NUT & BOLT KIT FOR TUB CLAM
6	215232	UNBALANCE BUMPER (S/P)
7	214725	CAP FOR SPOUT-OUTER TUB (S/P)
8	211641	CLAMP, 1-1/16`` (S/P)
9	2-846	CLAMP - TUB COVER
10	410296	CLAMP, WATER LEVEL SWTCH TUBE (S/P)
11	2-11047	NUT, CLAMPING (INNER TUB)
12	214434	SPOUT, DEFLECTOR (S/P)
13	215721	DISPENSING CAP (S/P)
14	215733	DISPENSING CUP (S/P)
15	207219	FILTER, SELF-CLEANING
16	213045	DRAIN HOSE-TUB TO PUMP
17	200900	CLAMP, SPRAY ARM HOSE (S/P)
18	201575	HOSE CLAMP (S/P)
19	202515	HOSE CLAMP - 1-1/16 INCH (S/P)
20	202574	CLAMP, HOSE (S/P)
21	205161	CLAMP - 15/16`` (S/P)
22	Y215234	INJECTOR FILL HOSE (S/P)
23	213013	HOSE, INJECTOR (S/P)
24	213015	INJECTOR NOZZLE (S/P)
25	215235	INJECTOR TUBE (S/P)
26	207831	INNER TUB W/PLUG (S/P)
27	207657	LINT FILTER DEEP (S/P)
27	207426	LINT FILTER DEEP (S/P)
28	Y015667	RETAINING RING (S/P)
29	Y054867	WASHER, LOCK (S/P)
30	22204012	MOUNTING STEM
31	22204012	MOUNTING STEM REPAIR KIT

32	205484	OUTER TUB (S/P)
33	215980	PLUG, FILTER HOLE (S/P)
34	Y015666	WASHER, RETAINING(CENTER SEAL) (S/P)
35	206478	SCREW & WASHER FOR AGITATOR
36	312620	SEMS SCREW, No.10-16 X 1/2`` (S/P)
37	211618	SET SCREW, MTG. STEM (S/P)
38	211232	SEAL
39	A4298	SEAL, AGITATOR DRIVE SHAFT
40	22204012	SEAL AND SPRING
41	2-15233	SEAL FOR INJECTOR TUBE
42	215447	SLEEVE FOR INJECTOR
43	214739	SPRING HOSE CLAMP (S/P)
44	2-4013	BEARING, TUB
45	2-4013	TUB BEARING REPAIR KIT
46	206380	DESCONTINUADO
47	2-14495	TUBE, INLET TO TUB
48	216201	VALVE FOR INJECTOR SUB
49	211210	WASHER, CLAMPING NUT(STAINLESS) (S/P)
50	211100	WASHER, CUSHION (S/P)
51	2-5613	WATER VALVE