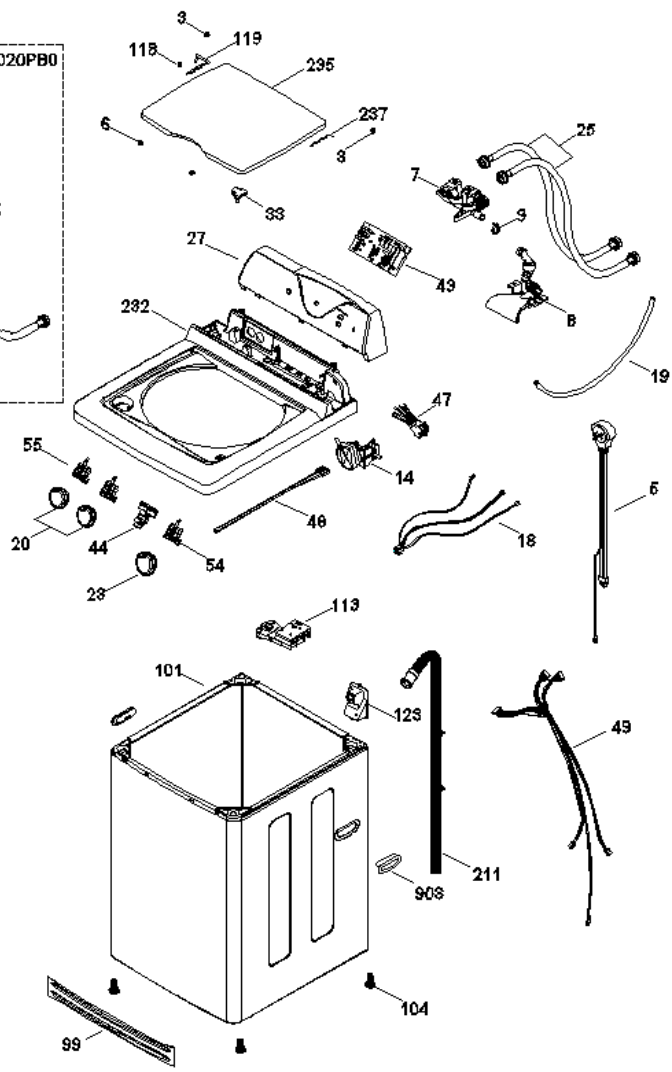
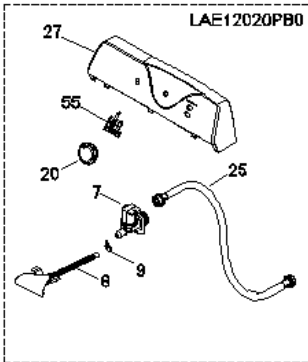
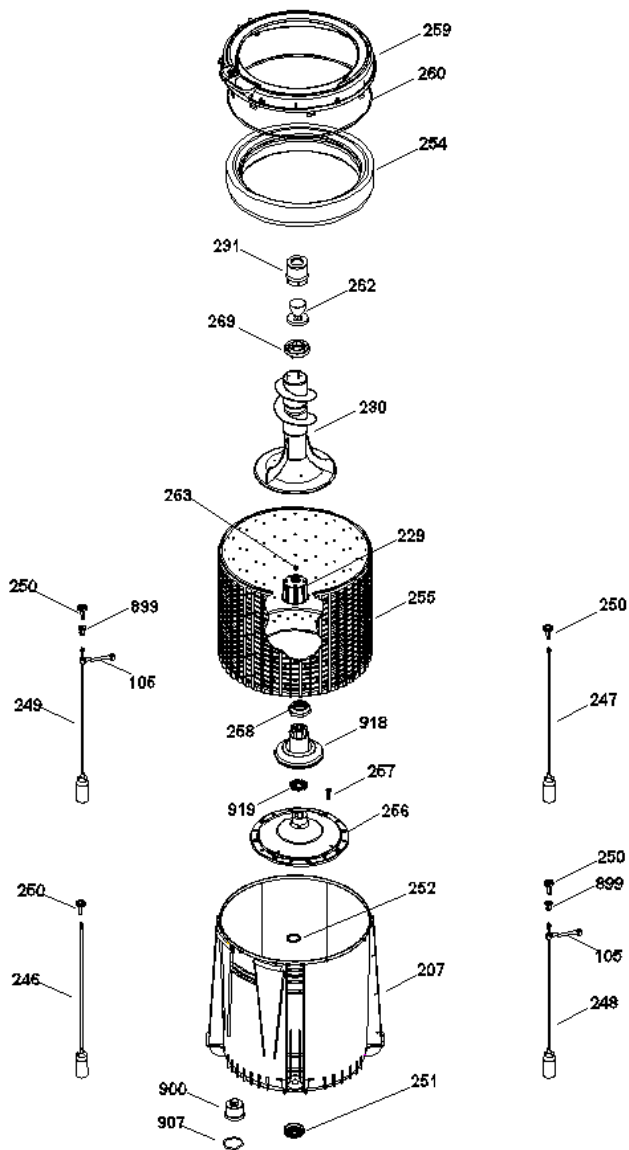


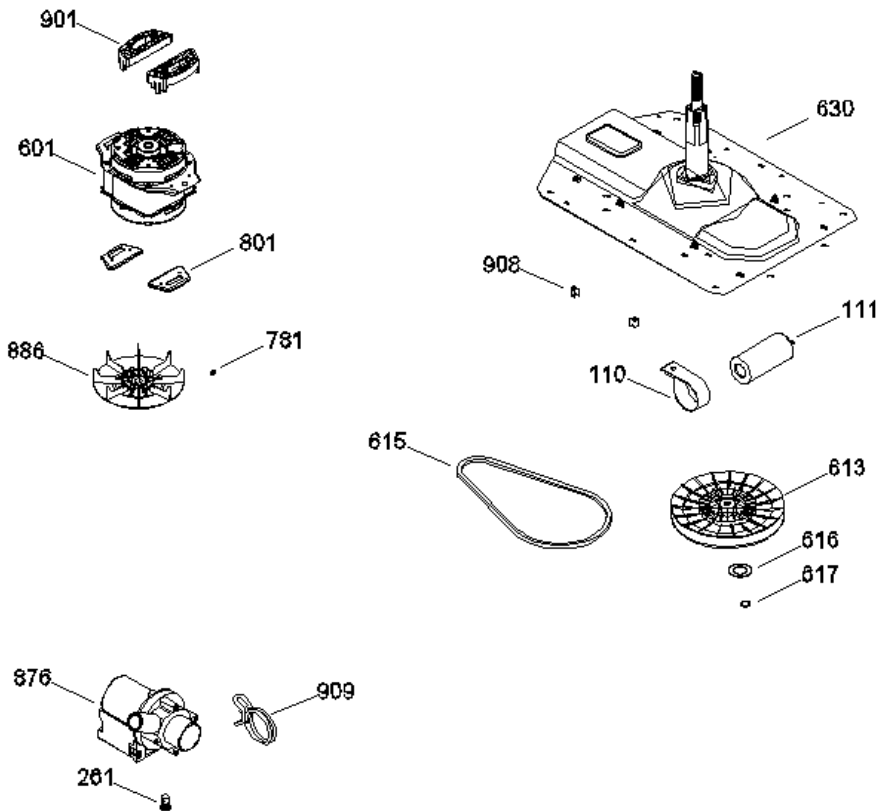
**LAE12020PB0**



**LAE12020PB0**



LAE12020PB0





LAE12020PB0

|     |               |                                |
|-----|---------------|--------------------------------|
| 3   | 323B2194P001  | BUJE BISAGRA                   |
| 5   | 189D3208P002  | TOMACORRIENTE AMAZ. NUEVO      |
| 6   | 323B2152P002  | PROTECTOR TAPA AMAZONA         |
| 7   | 228C2085P001  | VALVULA ENTRADA DE AGUA        |
| 8   | 323B2198P006  | MANGUERA ENTRADA DE AGUA       |
| 9   | 109B8787P014  | ABRAZADERA ENTRADA DE AGUA     |
| 14  | 228C2324G003  | PRESOSTATO PARA COPETE SPLASH  |
| 18  | 189D3636G001  | ARNES GABINETE 10,12,13KG SIS  |
| 19  | 323B1277P003  | MANGUERA PRESOSTATO P/SEMI.IMP |
| 20  | 189D3778G001  | ENS. PERILLA ROTATOR SPLASH B  |
| 23  | 189D3777G001  | ENS. PERILLA CONTROL SPLASH B. |
| 25  | 141A6384G058  | MANGUERA LLENADO AGUA CALIENTE |
| 27  | 189D3761G001  | ENS. COPETE-HT 2P BCO SPLASH   |
| 33  | 228C2201P001  | ACTUADOR TAPA CURVA            |
| 43  | 189D3632G007  | TARJETA CONTROL 11KG 2P SIS LO |
| 44  | 189D2762G001  | TARJETA BOTONES                |
| 47  | 189D3642G002  | ARNES CUBIERTA SIS 10Y12KG 2P  |
| 48  | 189D3652G001  | ARNES PRESOSTATO 4 NIVELES     |
| 49  | 189D3820G001  | ARNES SEL. 10,12KG 2P SIS LOW  |
| 54  | 228C2139G002  | SELECTOR 8 POSICIONES          |
| 55  | 228C2139G004  | SELECTOR 4 POSICIONES LOW COST |
| 99  | 323B2464G001  | REFUERZO GABINETE              |
| 101 | 189D2655G001  | GABINETE CURVO ENSAMBLE BCO    |
| 101 | 189D2655G001  | GABINETE CURVO ENSAMBLE BCO    |
| 104 | 228C2081P001  | PATA NIVELADORA                |
| 105 | 228C2119P003  | LIGA SUSPENSION                |
| 110 | 228C1155P001  | ABRAZADERA CAPACITOR WEG 15,4  |
| 111 | 228C1147P001  | CAPACITOR WEG 45 MF            |
| 113 | 228C2107P002N | BLOCAPUERTAS C/SLIDER          |
| 118 | 323B1294P001  | TAPON BISAGRA                  |
| 119 | 123C8025P005  | BISAGRA DE ALAMBRE (LARGA)     |
| 123 | 189D2637P001  | TAPA MANGUERRA DE SALIDA       |
| 207 | 189D2668P001  | TINA 10 Y 12 KG AMAZ           |

|     |               |                                |
|-----|---------------|--------------------------------|
| 211 | 228C2206G001  | MANGUERA DE DRENADO            |
| 229 | 189D3624P001  | COPLA AGITADOR                 |
| 230 | 189D3746G001  | AGITADOR ENS                   |
| 231 | 189D1180P001  | TAPA AGITADOR F.S.D.           |
| 232 | 189D2868P003F | ENSAMBLE CUBIERTA ECONO. BCA   |
| 235 | 189D4112G001  | ENSAMBLE TAPA BLANCA SUBLIMADO |
| 237 | 123C8029P001  | BISAGRA DE ALAMBRE ( CORTA )   |
| 246 | 189D1970G011  | SUSP.11 KG FRONT IZ S/LIGA EN  |
| 247 | 189D1970G012  | SUSP 11K POST DER S/L ROJA     |
| 248 | 189D1970G007  | SUSP.11 KG FRON.DER.C/LIGA EN  |
| 249 | 189D1970G008  | SUSP 11K POST IZQ C/L ROJA     |
| 250 | 189D1903P001  | ROTULA SUPERIOR                |
| 251 | 228C2113P001  | SELLO TINA                     |
| 252 | 323B2127P001  | ARANDELA FONDO CANASTA         |
| 254 | 189D1111G002  | ARO BALANCE ENS                |
| 255 | 189D1163P001  | CANASTA                        |
| 256 | 189D3533P001  | FONDO CANASTA                  |
| 257 | 8911238P041   | TORNILLO FONDO CANASTA         |
| 258 | 228C2160P001  | TUERCA TINA                    |
| 259 | 189D2789P001  | CUBIERTA TINA                  |
| 260 | 228C1177P002  | SELLO CUBIERTA TINA            |
| 261 | 228C2136P001  | SELLO BOMBA                    |
| 262 | 189D1626P002  | COPA DESP. SUAVIZANTE          |
| 263 | 323B1346P001  | TORNILLO C/GROMET COPLA        |
| 269 | 189D1893P001  | DOSIFICADOR SUAVISANTE         |
| 601 | 189D3186P002  | MOTOR BALEROS 1/4              |
| 613 | 189D2652P001  | POLEA TRANSMISION              |
| 615 | 228C2115P002  | BANDA 3L V                     |
| 616 | 323B2052P001  | ARANDELA DE FRICCION           |
| 617 | 323B2000P001  | ANILLO DE RETENCION            |
| 630 | 189D3593G001  | TRANSMISION CON SOPORTES ENS   |
| 781 | 323B1279P002  | OPRESOR POLEA                  |
| 801 | 323B2167P001  | REFUERZO MOTOR AMAZ            |
| 876 | 189D3237P001  | BOMBA DRENADO                  |
| 886 | 189D2645G005  | ENS. POLEA MOTOR 11KG LOW COST |
| 899 | 228C2207P001  | BUJE LIGA                      |
| 900 | 228C2089P001  | TAPON CAJA PRESOSTATO TINA     |
| 901 | 228C2112P001  | ESPACIADOR MOTOR               |

|     |              |                             |
|-----|--------------|-----------------------------|
| 903 | 228C2118P001 | JALADERA PARA GABINETE      |
| 907 | 323B2098P001 | SELLO TAPON TINA            |
| 908 | 323B2099P001 | CLIP TAPON PRESOSTATO       |
| 909 | 323B1390P001 | ABRAZADERA BOMBA DOBLE HILO |
| 909 | 323B1390P001 | ABRAZADERA BOMBA DOBLE HILO |
| 918 | 189D3590G001 | ENSAMBLE FLOTADOR           |
| 919 | 228C2315P001 | EMBRAGUE FIJO               |