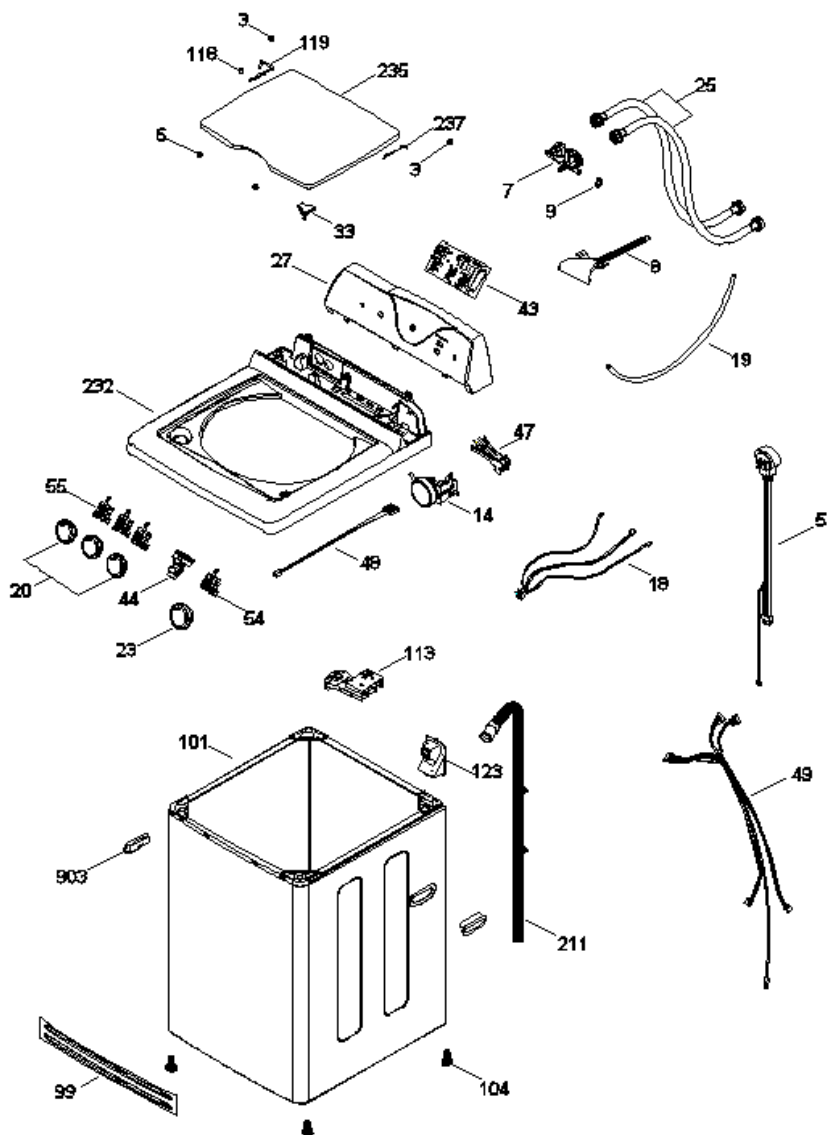


Distribuidor Autorizado

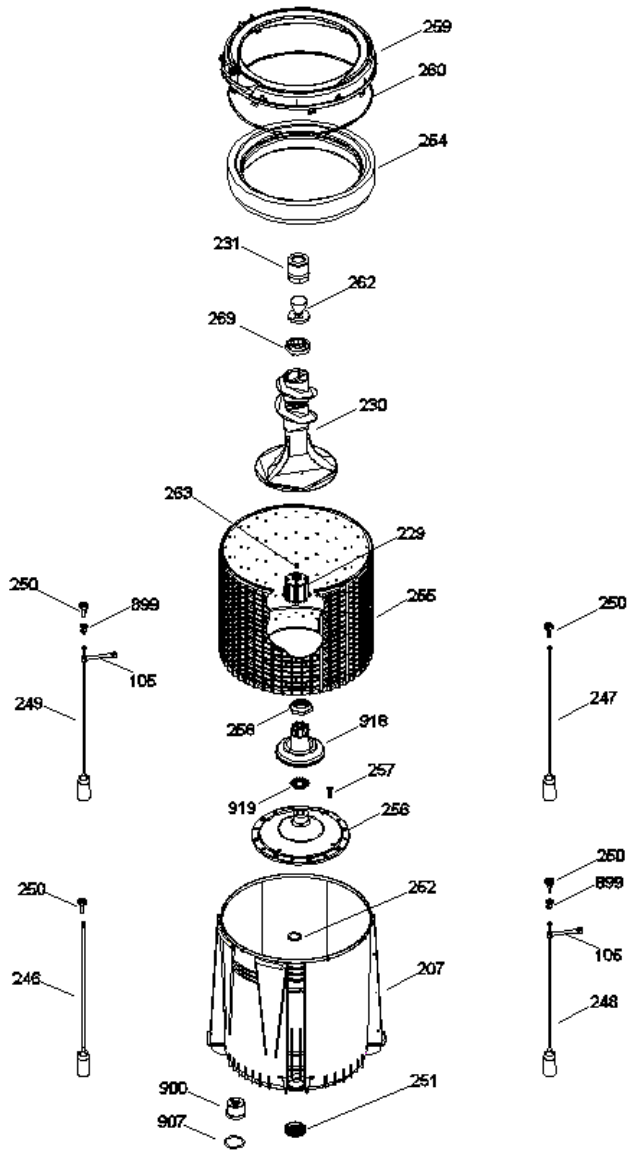
SurteRápido.com

Venta de Refacciones
Electrodomesticas

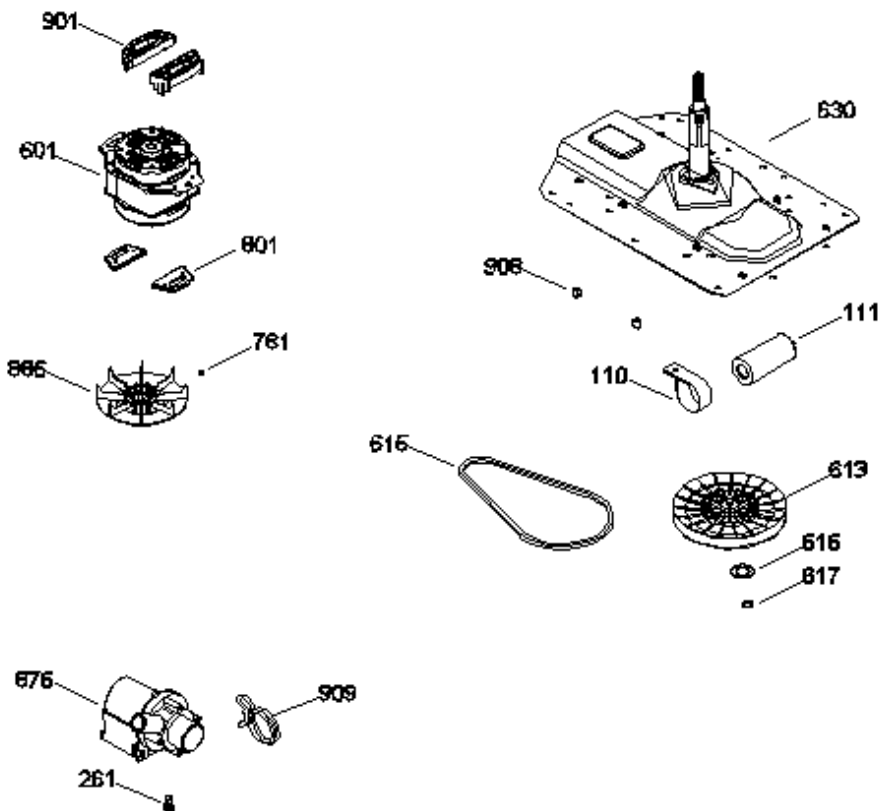
LAE12040PB0



LAE12040PB0



LAE12040PB0





LAE12040PB0

3	323B2194P001	BUJE BISAGRA (S/P)
5	189D3208P002	TOMACORRIENTE AMAZ. NUEVO (S/P)
6	323B1416P001	PROTECTOR TAPA AMAZONA (S/P)
7	7131001	VALVULA DE AGUA (127 V)
8	323B2198P005	MANGUERA ENTRADA DE AGUA (S/P)
9	109B8787P014	ABRAZADERA ENTRADA DE AGUA (S/P)
14	228C2324G003	PRESOSTATO PARA COPETE SPLASH (S/P)
18	189D3636G001	ARNES GABINETE 10,12,13KG SIS (S/P)
19	323B1277P003	MANGUERA PRESOSTATO P/SEMI.IMP (S/P)
20	189D3778G001	ENS. PERILLA ROTATOR SPLASH B (S/P)
23	189D3777G001	ENS. PERILLA CONTROL SPLASH B. (S/P)
25	228C1203G001	MANGUERA LLENADO AGUA CALIENTE (S/P)
27	189D3761G012	ENS. COPETE-HT 4P BCO SPLASH (S/P)
33	228C2243P001	ACTUADOR TAPA CURVA (S/P)
43	8183635	TARJETA PERILLAS 11KG SIS LOW
44	8102762	TARJETA BOTONES
47	189D3642G001	ARNES CUB. 10,12,13KG 3,4P SIS (S/P)
48	189D3652G001	ARNES PRESOSTATO 4 NIVELES (S/P)
49	189D3820G004	ARNES SEL. 12KG 4P SIS SPLASH (S/P)
54	8102140	SELECTOR 8 POSICIONES
55	228C2139G004	SELECTOR 4 POSICIONES LOW COST (S/P)
99	323B2464G001	REFUERZO GABINETE (S/P)
101	189D2655G001	GABINETE CURVO ENSAMBLE BCO (S/P)
104	228C2081P001	PATA NIVELADORA (S/P)
105	8102119	LIGA SUSPENSION
110	228C1155P001	ABRAZADERA CAPACITOR WEG 15,4 (S/P)
111	7201121	CAPACITOR WEG 45 MF
113	7122107	BLOCAPUERTAS C/SLIDER A 90 NVO
118	323B1294P001	TAPON BISAGRA (S/P)
119	123C8025P005	BISAGRA DE ALAMBRE (LARGA) (S/P)
123	189D2637P001	TAPA MANGUERRA DE SALIDA (S/P)
207	189D2668P001	TINA 10 Y 12 KG AMAZ (S/P)
211	228C2206G001	MANGUERA DE DRENADO (S/P)

229	189D3624P001	COPELE AGITADOR (S/P)
230	189D3746G001	AGITADOR CURVO 11K 3 ALETAS (S/P)
231	189D1180P001	TAPA AGITADOR F.S.D. (S/P)
232	189D2868P003F	ENSAMBLE CUBIERTA ECONO. BCA (S/P)
235	189D4112G001	ENSAMBLE TAPA BLANCA SUBLIMADO (S/P)
237	123C8029P001	BISAGRA DE ALAMBRE (CORTA) (S/P)
246	189D1970G011	SUSP.11 KG FRONT IZ S/LIGA EN (S/P)
247	189D1970G012	SUSP 11K POST DER S/L ROJA (S/P)
248	189D1970G007	SUSP.11 KG FRON.DER.C/LIGA (S/P)
249	189D1970G008	SUSP 11K POST IZQ C/L ROJA (S/P)
250	7011043	ROTULA SUPERIOR
251	8102113	SELLO TINA
252	323B2127P001	ARANDELA FONDO CANASTA (S/P)
254	189D1111G002	ENSAMBLE ARO BALANCE 10 KG (S/P)
255	189D1163P001	CANASTA (S/P)
256	189D3533P001	FONDO CANASTA (S/P)
257	8911238P041	TORNILLO FONDO CANASTA (S/P)
258	8102160	TUERCA TINA
259	189D2789P001	CUBIERTA TINA (S/P)
260	7081002	SELLO MECANICO 11 Y 13 KG
261	228C2136P001	SELLO BOMBA (S/P)
262	189D1626P002	COPA DESP. SUAVIZANTE (S/P)
263	323B1346P001	TORNILLO C/GROMET COPLE (S/P)
269	189D1893P001	DOSIFICADOR SUAVISANTE (S/P)
601	8102643	MOTOR BALEROS 1/4
613	8102652	POLEA TRANSMISION
615	8102120	BANDA 3L V
616	323B2052P001	ARANDELA DE FRICCION (S/P)
617	323B2000P001	ANILLO DE RETENCION (S/P)
630	8153593	ENS. TX CON SOPORTE
781	323B1279P002	OPRESOR POLEA (S/P)
801	323B2167P001	REFUERZO MOTOR AMAZ (S/P)
876	8102748	BOMBA DRENADO
886	189D2645G005	ENS. POLEA MOTOR 11KG LOW COST (S/P)
899	228C2207P001	BUJE LIGA DESCONTINUADO
900	228C2089P001	TAPON CAJA PRESOSTATO TINA (S/P)
901	228C2112P001	ESPACIADOR MOTOR (S/P)
903	228C2118P001	JALADERA PARA GABINETE (S/P)

907	323B2098P001	SELLO TAPON TINA (S/P)
908	323B2099P001	CLIP TAPON PRESOSTATO (S/P)
909	323B1390P001	ABRAZADERA BOMBA DOBLE HILO (S/P)
918	189D3590G001	ENSAMBLE FLOTADOR
919	228C2315P001	EMBRAGUE FIJO (S/P)