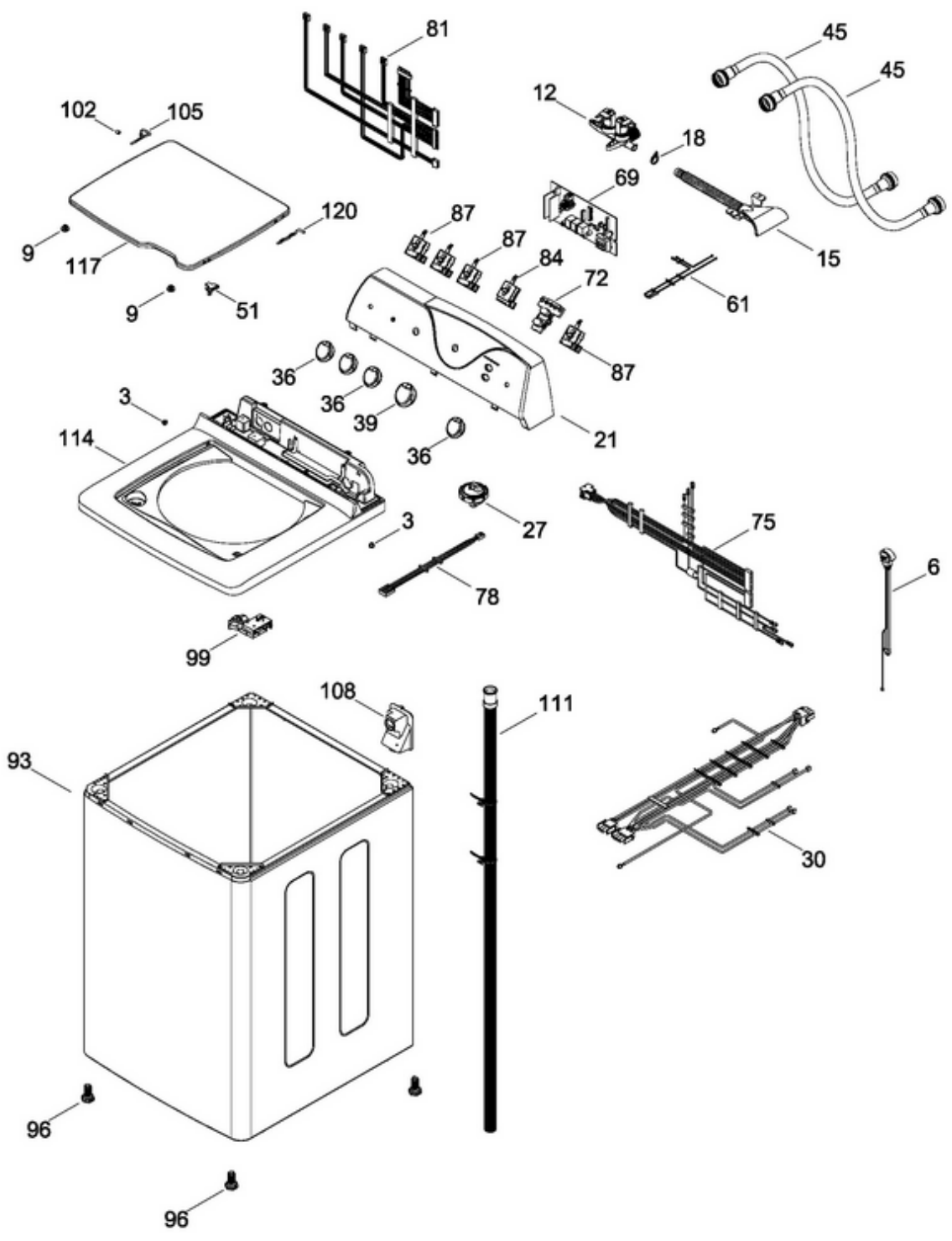


LAVADORA LAE13050PB0

COPETE / BACKSPLASH
 GABINETE Y CUBIERTA / CABINET & COVER

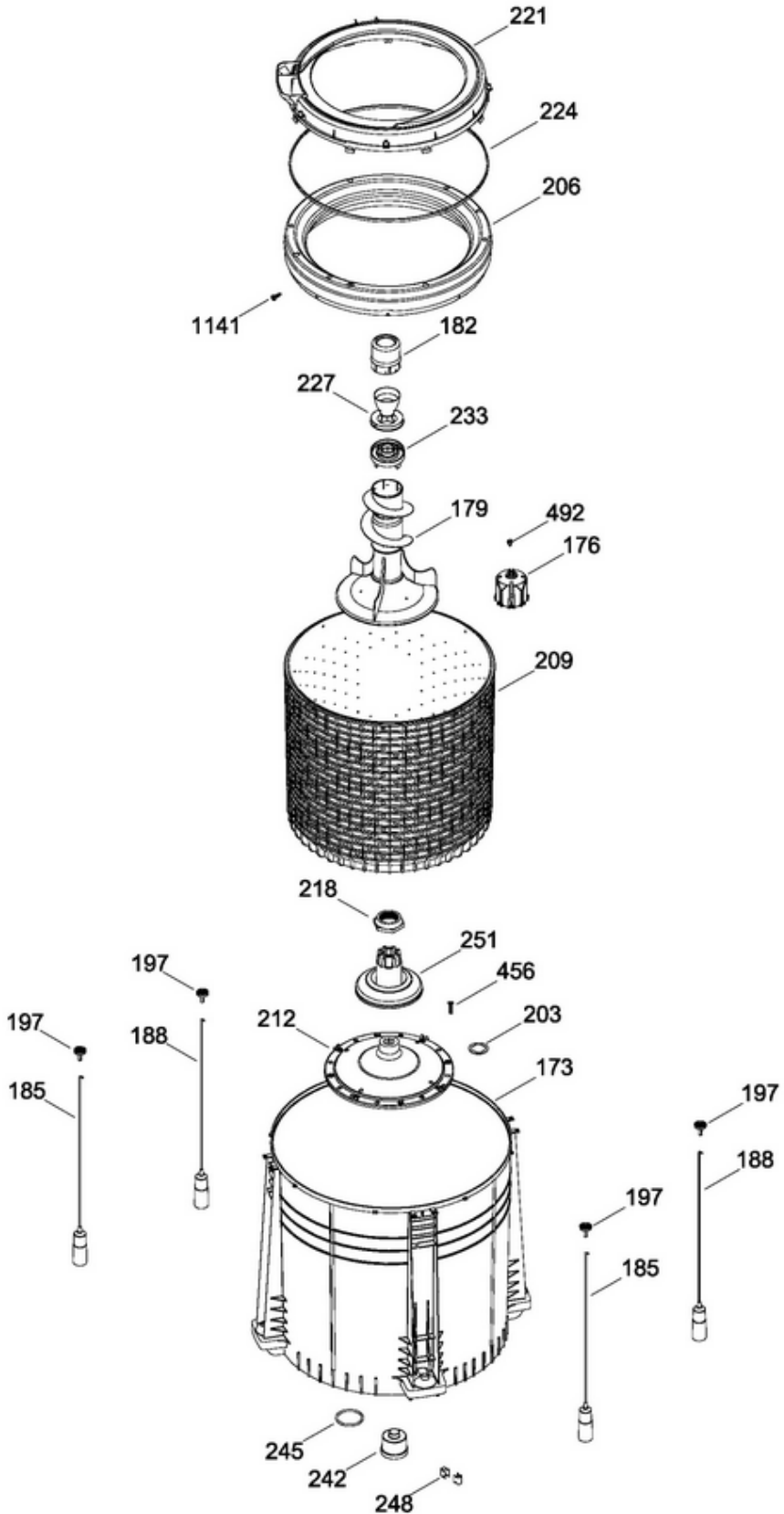
LAE13050PB0



LAVADORA LAE13050PB0

PARTES PARA TINA / TUB, BASKET & AGITATOR

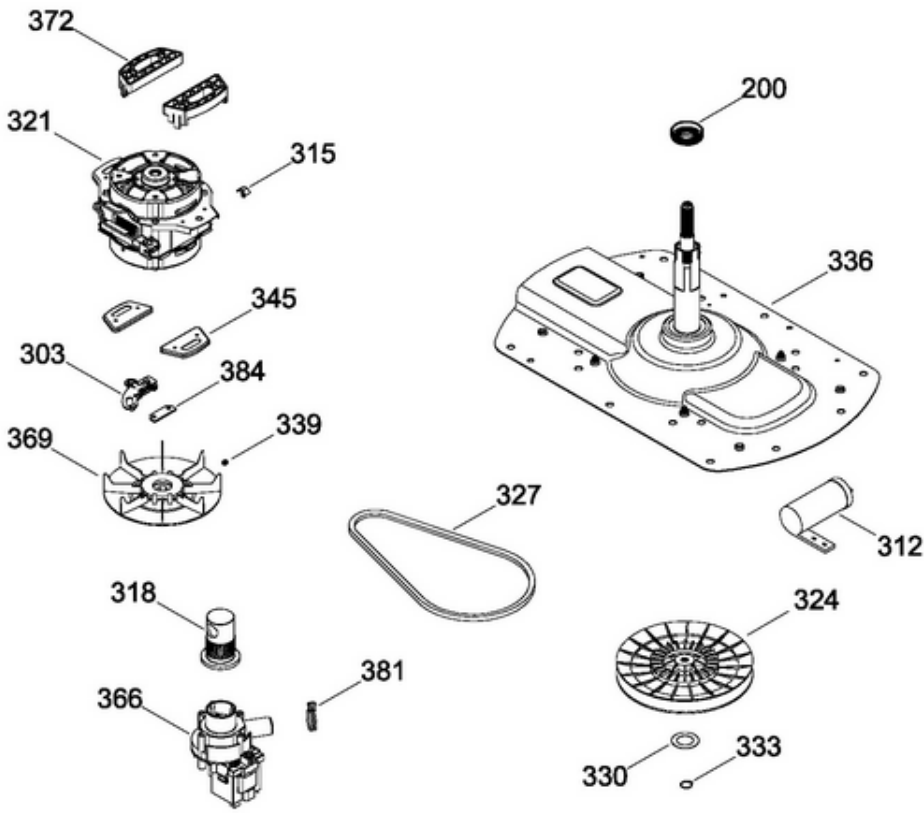
LAE13050PB0



LAVADORA LAE13050PB0

SISTEMA MOTRIZ / PUMP & DRIVE COMPONENTS

LAE13050PB0





LAVADORA LAE13050PB0

Guía	Refacción	Descripción
3	WW01A00085	BUJE BISAGRA
6	WW01F00113	CABLE TOMACORRIENTE
9	WW01A00105	PROTECTOR TAPA
12	WW01F00321	ENS. VALVULA DE AGUA
15	WW01L00359	ENTRADA DE AGUA
18	WW01A00002	ABRAZADERA
21	189D3761G021	COPETE HEAT TRANSFER LAE13050P
27	WW01F00239	PRESOSTATO ELEC.
27	WW01F00337	PRESOSTATO ELEC.
30	WW01F00155	ARNES GABINETE
36	WW01L00178	ENS. PERILLA ROTATORIA SPLASH
39	WW01L00174	ENS. PERILLA CONTROL SPLASH B.
45	WW01L01033	MANGUERA LLENADO
51	WW01F00346	ACTUADOR
61	WW01F00275	MINIARNES
69	WW01F00136	TARJETA CONTROL PERILLAS
72	WW01F00064	BOTON SELECTOR
72	WW01F01503	BOTON SELECTOR
75	WW01F00159	ARNES CUBIERTA 12 13 14KG 5P
78	WW01F00022	ARNES PRESOSTATO
81	189D3820G009	ARNES SELECTOR 5 PERILLAS
84	WW01F00240	SELECTOR PROGRAMA
87	WW01F00926	SELECTOR
87	WW01F00339	SELECTOR
93	WW01L00989	ENS. GABINETE 10KG CURVO
93	WW01L00498	ENS. GABINETE 10KG CURVO
96	WW01L01040	PATA
96	WW01L00468	PATA
99	WW01L00469	ENS. BLOCAPUERTAS
99	WW01F01553	ENS. BLOCAPUERTAS
102	WW01L00335	TAPON BISAGRA
105	WW01L00001	BISAGRA
108	WW01L00079	TAPA MANGUERA
111	WW01L00470	MANGUERA
114	WW01L00101	ENSAMBLE CUBIERTA ECONO. BCA
114	WW01L00101	ENSAMBLE CUBIERTA ECONO. BCA
117	WW01L00979	ENS. TAPA



LAVADORA LAE13050PB0

Guía	Refacción	Descripción
120	WW01L00002	BISAGRA
173	WW01L00915	TINA 11 Y 13 KGS.AMAZONAS
173	WW01L01119	TINA 11 Y 13 KGS.AMAZONAS
176	WW01F00360	COPLA AGITADOR LOW COS
179	WW01L00451	ENS. AGITADOR
182	WW01L00431	TAPA FSD COMPRADA
185	WW01F00369	ENS. VARILLA
188	WW01F00370	ENS. VARILLA
197	WW01F00265	ROTULA
200	WS01L09224	SELLO TINA
203	WW01A00080	ARANDELA
206	WW01L00430	ENS. ANILLO BALANCEO
206	WW01L01503	ENS. ANILLO BALANCEO
209	WW01L00044	CANASTA 12 KG
209	WW01L00044	CANASTA 12 KG
212	WW01L01015	FONDO CANASTA FLOTADOR
212	WW01L00449	FONDO CANASTA FLOTADOR
212	WW01A00572	FONDO CANASTA
218	WW01A00048	TUERCA AMAZ IZQ.
221	WW01F00068	CUBIERTA TINA
224	WW01L00467	SELLO CUBIERTA TINA
227	WW01L00432	COPA SUAVIZANTE AZUL
227	WW01L00432	COPA SUAVIZANTE AZUL
233	WW01L00433	RETARDANTE DE FLUJO
242	WW01L00287	TAPON CAJA PRESOSTATO
245	WW01F00277	O-RING
248	WW01A00079	CLIP TAPON PRESOSTATO
251	WW01L00157	ENS. FLOTADOR
303	WW01A00046	SOPORTE TARJETA
303	WW01F01172	SOPORTE TARJETA
303	WW02F00224	SOPORTE TARJETA
312	WW01F00342	CAPACITOR
315	WW01L00338	BOTON MONTAJE
318	WW01L00295	SELLO BOMBA
321	WW01F00331	ENS. MOTOR
321	WW01F01173	ENS. MOTOR
324	WW01F00043	POLEA TRANSMISION



LAVADORA LAE13050PB0

Guía	Refacción	Descripción
327	WW01F00345	BANDA UNIFICADA
327	WW01F00345	BANDA UNIFICADA
330	WW01A00071	ARANDELA DE FRICCION
333	WW01A00069	ANILLO DE RETENCION
336	WW01F00134	SOPORTE LOW CO
339	WW01F00272	OPRESOR POLEA
345	WW01L00355	REFUERZO MOTOR
366	WW01F00200	BOMBA DE DESAGUE
369	WW01F00039	ENS. POLEA MOTOR
369	WW01F00357	ENS. POLEA MOTOR
372	WW01F00256	ESPACIADOR MOTOR
372	WW01F00256	ESPACIADOR MOTOR
381	WW01A00104	ABRAZADERA BOMBA
384	WW01F00362	TARJETA SENSOR
384	WW01F01172	TARJETA SENSOR
384	WW02F00224	TARJETA SENSOR
456	WW01A00099	TORNILLO FONDO CANASTA
492	WW01A00064	TORNILLO C/GROMET COPLE
492	WW01A00064	TORNILLO C/GROMET COPLE
1141	WW01A00063	TORNILLO