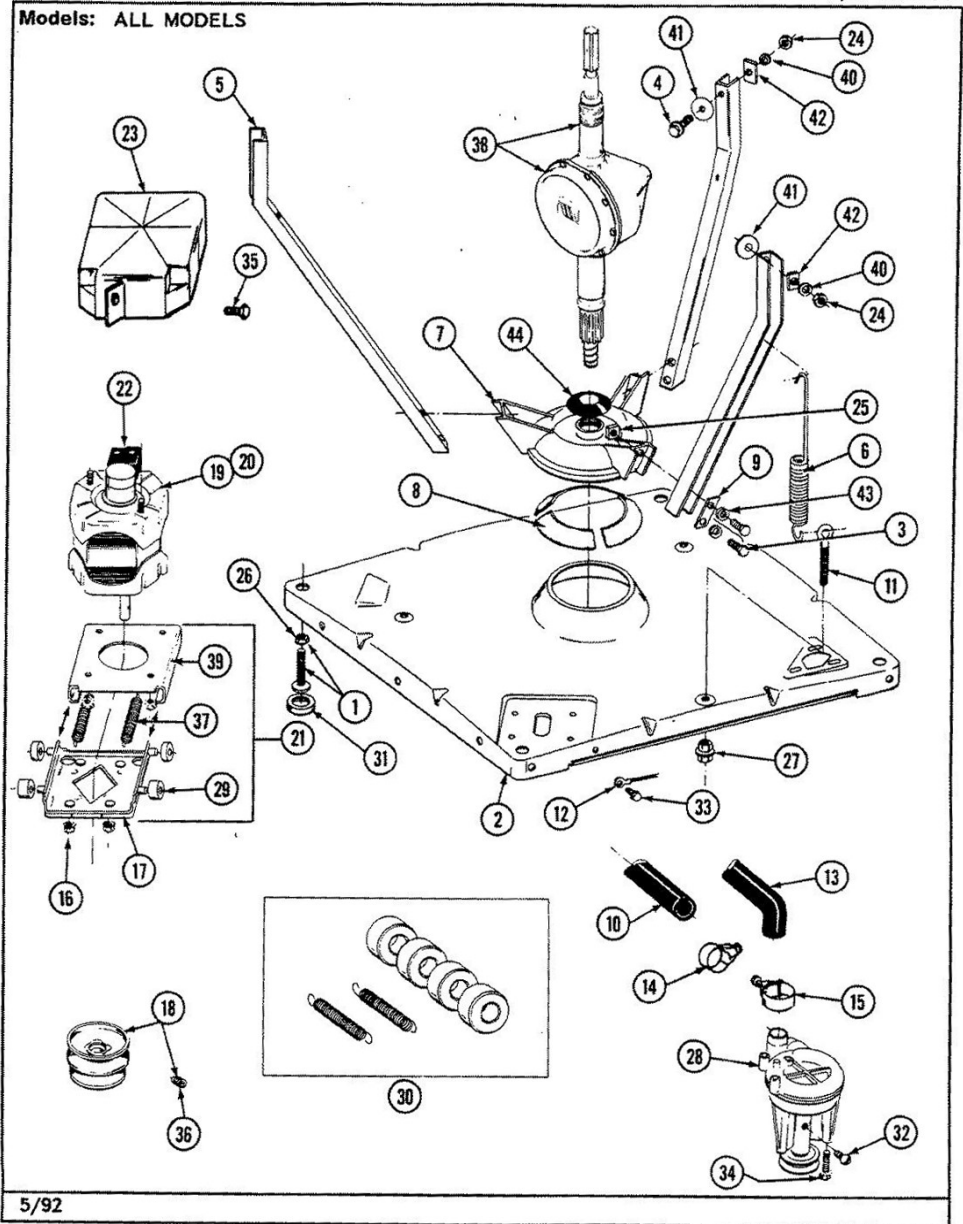


Section: BASE

P/N 16000347

Models: ALL MODELS





Lavadora Maytag LAT9200AAL

No.Illus.	N de Parte	Series 10	DESCRIPCIÓN
1	Y302699	Series A0	LEG, ADJUSTABLE (W/NUT)
2	203274	Series A0	BASE WITH DAMPER PADS
3	Y015627	Series A0	SCREW, HEX HD CAP 5/16 X 5/8
4	200744	Series A0	BOLT & GASKET ASSY.(SHORT)
4	205254	Series A0	BOLT & GASKET ASSEMBLY (LONG)
5	213053	Series A0	BRACE, TUB
6	213054	Series A0	CENTERING SPRING - 3 USED
7	203725	Series A0	DAMPER W/BOLT & CLIP
8	203956	Series A0	DAMPER PAD KIT (W/POLY LUBE)
9	213073	Series A0	WASHER, DOUBLE
10	214767	Series A0	HOSE,PUMP TO SIPHON BREAK
11	213120	Series A0	EYE BOLT FOR CENTER SPRING
12	204807	Series A0	GRND.WIRE,SUPP.PLTE TO TOP CVR
13	213045	Series A0	DRAIN HOSE-TUB TO PUMP
14	200461	Series A0	HOSE CLAMP - 1-5/8 INCH
15	202574	Series A0	CLAMP, HOSE
16	311246	Series A0	KEPS NUT-MOTOR BASE
17	205908	Series A0	LOWER MOTOR MOUNT
18	200816	Series A0	PULLEY, MOTOR (W/SET SCREW)
19	201805	Series A0	MOTOR (ONE SPEED)
21	205999	Series A0	MOTOR MOUNT ASSM COMPLETE
22	205131	Series A0	SWITCH, MOTOR START
22	205132	Series A0	SWITCH, MOTOR START
22	205133	Series A0	MOTOR EXTERNAL START SWITCH
22	205134	Series A0	MOTOR EXTERNAL START SWITCH
22	206504	Series A0	MOTOR EXTERNAL START SWITCH
22	206505	Series A0	SWITCH, MOTOR START
23	215098	Series A0	SHIELD, MOTOR



Lavadora Maytag LAT9200AAL

No. Ilus.	N de Parte	Series 10	<u>DESCRIPCIÓN</u>
24	Y052734	Series A0	NUT
25	Y052785	Series A0	NUT, BRACE TO DAMPER
26	210385	Series A0	NUT, LOCK
27	211949	Series A0	NUT, EYEBOLT
28	202203	Series A0	PUMP AS PAK
29	204998	Series A0	GLIDE KIT (4 W/POLY LUBE)
30	205000	Series A0	GLIDE & SPRING KIT
31	210684	Series A0	FOOT, RUBBER
32	Y015408	Series A0	SCREW, BEARING INSERT
33	210186	Series A0	SCREW, GROUND WIRE TO BASE
34	211880	Series A0	SCREW, HEX HD No.10 X 1/2 INC
35	213121	Series A0	SCREW
36	Y053241	Series A0	SET SCREW, PULLEY
37	202718	Series A0	TENSION SPRINGS
38	206707	Series A0	TRANSMISSION, ORBITAL
39	214956	Series A0	MOUNT, MOTOR/UPPER
40	Y054867	Series A0	WASHER, LOCK
41	211100	Series A0	WASHER, CUSHION
42	212979	Series A0	WASHER, TUB BRACE
43	911852	Series A0	WASHER, LOCK (BRACE)
44	211028	Series A0	DEFLECTOR, WATER (DRIVE TUBE)

Distribuidor Autorizado

SurteRápido.com

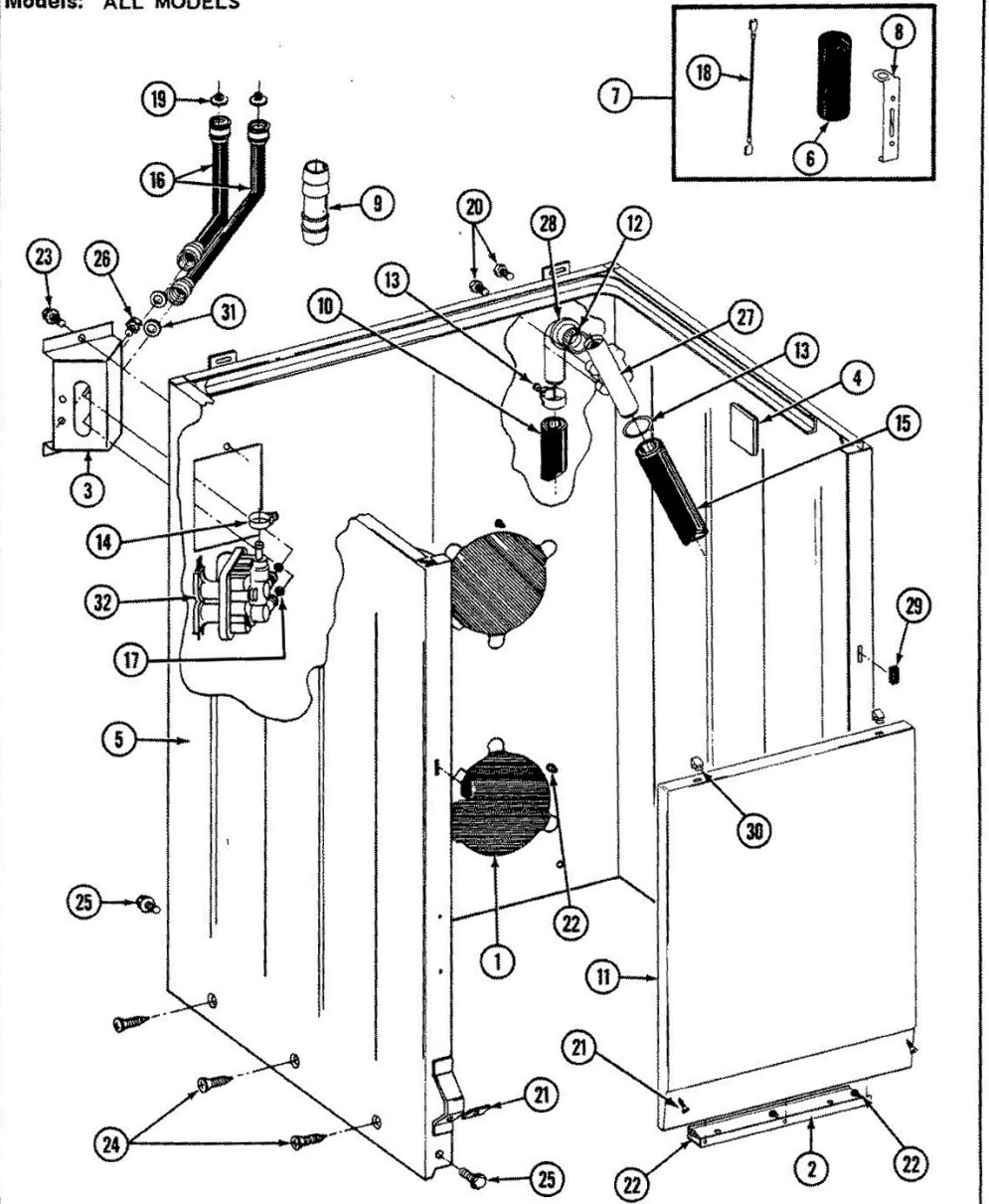
Venta de Refacciones
Electrodomesticas

Lavadora Maytag LAT9200AAL

Section: CABINETS

P/N 16000347

Models: ALL MODELS





Lavadora Maytag LAT9200AAL

No. Ilus.	N de Parte	Series 10	DESCRIPCIÓN
1	211878	Series A0	PLATE, ACCESS
2	213846	Series A0	GUARD, BELT
3	214812	Series A0	BRACKET, WATER VALVE
4	215058	Series A0	PAD, CABINET BUMPER
5	203319L	Series A0	(ALMOND)
6	Y200832	Series A0	CAPACITOR
7	206103	Series A0	CAPACITOR KIT
8	211149	Series A0	CLIP, CAPACITOR
10	216017	Series A2	HOSE, DRAIN (7/8`I.D.)
11	212998L	Series A0	FRONT PANEL-ALMOND
13	200908	Series A2	HOSE CLAMP - 1-1/2 INCH
14	201575	Series A2	HOSE CLAMP
15	214767	Series A0	HOSE, PUMP TO SIPHON BREAK
16	202860	Series A0	INLET HOSE ASSY.
17	214337	Series A0	SCREEN, VALVE
18	203237	Series A0	No.17 WIRE WITH TERMINAL
19	200961	Series A0	SCREEN WASHER, INLET HOSE
20	Y014874	Series A0	SCREW
21	204439	Series A0	SCREW & FASTNER ASSY(FRT.PANEL)
22	211294	Series A0	SCREW
23	212276	Series A0	SCREW
24	213007	Series A0	SCREW, CABINET
26	Y313561	Series A0	SCREW----NA
28	Y216016	Series A2	ELBOW, SIPHON BREAK
29	214376	Series A0	SPACER, FRONT PANEL
30	212982	Series A0	FASTENER, PANEL
31	Y013783	Series A0	GASKET, INLET HOSE
32	205613	Series A0	WATER VALVE

Distribuidor Autorizado

SurteRápido.com

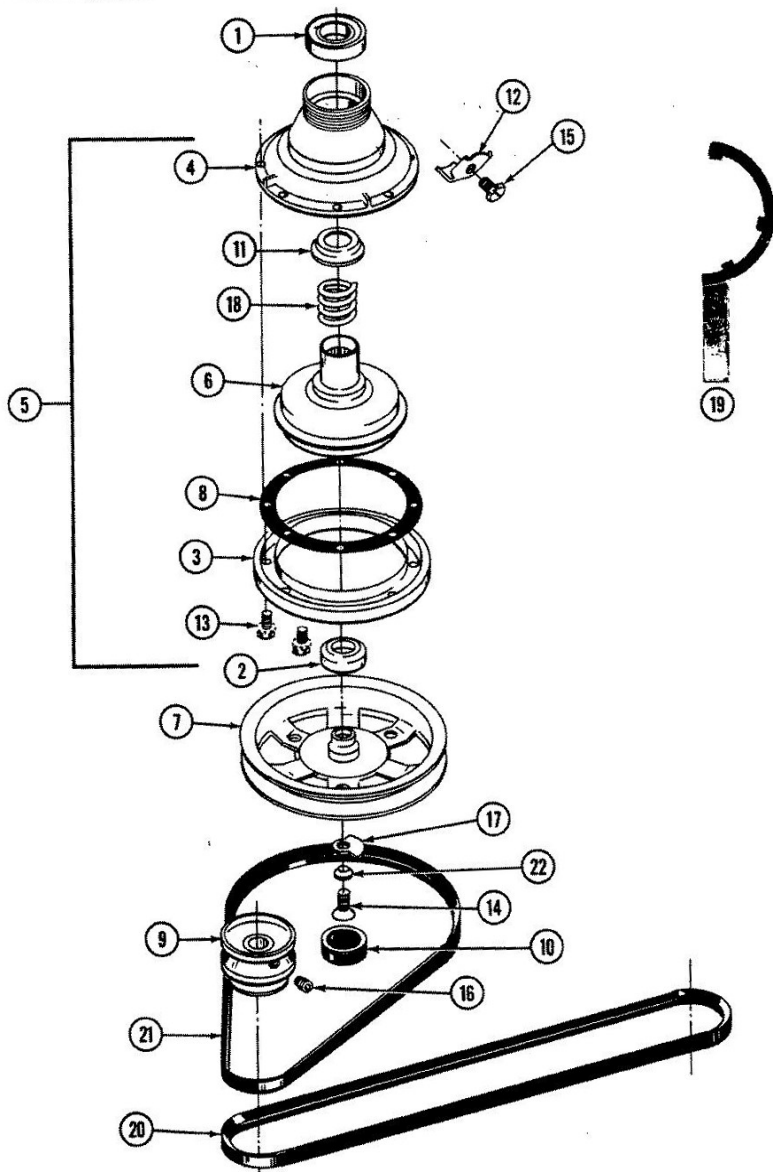
Venta de Refacciones
Electrodomesticas

Lavadora Maytag LAT9200AAL

Section: CLUTCH, BRAKE AND BELTS

P/N 16000347

Models: ALL MODELS





Lavadora Maytag LAT9200AAL

No. Ilus.	N de Parte	Series 10	DESCRIPCIÓN
1	Y200720	Series A0	BALL BEARING, RADIAL
2	200835	Series A0	BEARING, BRAKE ROTOR
3	211043	Series A0	DRUM, BRAKE
4	211045	Series A0	HOUSING, BRAKE
5	201190	Series A0	BRAKE ASSEMBLY
6	201126	Series A0	ROTOR, BRAKE (W/FACING)
7	211059	Series A0	PULLEY, DRIVE
8	211042	Series A0	GASKET, BRAKE DRUM
9	200816	Series A0	PULLEY, MOTOR (W/SET SCREW)
10	211038	Series A0	CAP, OIL RETAINER
11	211039	Series A0	RETAINER, BRAKE SPRING
12	213325	Series A0	CLIP, RETAINER
13	211000	Series A0	SCREW, HEX HEAD (BRAKE DRUM)
14	211375	Series A0	SCREW, STOP LUG (CENTER SHAFT)
15	213326	Series A0	SCREW, RETAINING CLIP
16	Y053241	Series A0	SET SCREW, PULLEY
17	211089	Series A0	LUG, STOP
18	211041	Series A0	SPRING, BRAKE
19	Y038315	Series A0	TOOL, BRAKE PKG ASSY
20	211124	Series A0	V BELT, PUMP
21	211125	Series A0	V BELT, DRIVE PULLEY
22	211090	Series A0	WASHER, LOCK

Distribuidor Autorizado

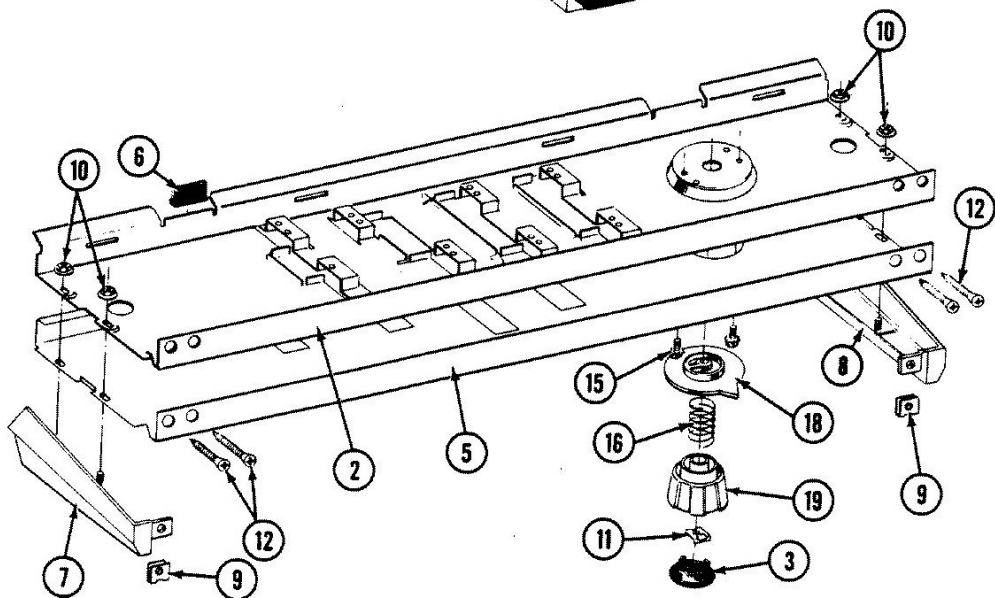
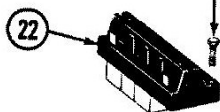
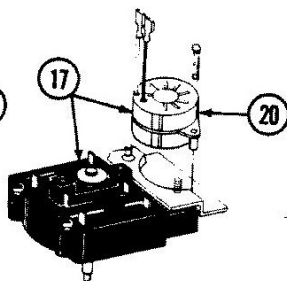
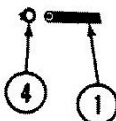
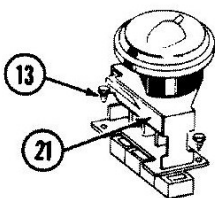
SurteRápido.com

Venta de Refacciones
Electrodomesticas

Lavadora Maytag LAT9200AAL



23





Lavadora Maytag LAT9200AAL

No. Ilus.	N de Parte	Series 10	<u>DESCRIPCIÓN</u>
1	212942	Series A0	AIR DOME AND TUBE
2	214818	Series A0	BACK UP PLATE
3	215821	Series A0	CAP, KNOB
4	410296	Series A0	CLAMP, WATER LEVEL SWTCH TUBE
5	207390	Series A0	CONTROL PANEL
6	214897	Series A0	PAD, CONTROL PANEL
7	207215	Series A0	END CAP LH
8	207216	Series A0	END CAP RH
9	214894	Series A0	FASTENER, END CAP
10	214872	Series A0	PALNUT, END CAP
11	211605	Series A0	RETAINER, TIMER KNOB
12	210932	Series A0	SCREW, No.8 X 9/16 CTSK
13	211168	Series A0	SCREW, No.8 X 5/16 INCH
14	213117	Series A0	SCREW-TEMP. SWITCH TO PANEL
15	213966	Series A0	SCREW-TIMER TO CONTROL PANE
16	211065	Series A0	SPRING, TIMER KNOB
17	207379	Series A0	TIMER
18	215827	Series A0	TIMER DIAL SKIRT
19	215828	Series A0	KNOB, TIMER (BLK)
20	205033	Series A0	TIMER MOTOR 120-60
21	207361	Series A0	4 LEVEL PRESSURE SWITCH
22	207368	Series A0	TEMP CONTROL SWITCH -3 BUTTON
23	207383	Series A0	WIRE HARNESS



Lavadora Maytag LAT9200AAL

No. Ilus.	N de Parte	Series 10	DESCRIPCIÓN
1	211726	Series A0	HINGE, BALL
2	215578	Series A0	BLEACH INLET ALMOND
3	207167	Series A0	BLOCK, FUSE
4	214279	Series A0	BRACKET F/LID SWITCH PLUNGE
5	207166	Series A0	SWITCH, CHECK
6	205635L	Series A0	CONSOLE (ALM)
7	Y201808	Series A0	CONVERTER
8	211881	Series A0	GROMMET, CORD
9	215075	Series A0	FASTENER,CNTRL PNL TO CONSOLE
10	207168	Series A0	FUSE
11	214436	Series A0	GASKET
12	301548	Series A0	CLAMP, GROUND (W/SCREW)
13	311155	Series A0	GROUND WIRE
14	216073L	Series A0	(ALMOND)----NA
15	212716	Series A0	BUMPER, LID
16	205415	Series A0	SWITCH, LID (W/O TUB LIGHT)
17	215700	Series A0	LID SWITCH PLUNGER
18	211500	Series A0	WASHER,BRACKE TO TOP COVER
19	205997	Series A0	NON-BLEACH CONVERSION KIT
20	204590	Series A0	POWER CORD
21	204445	Series A0	SCREW & FASTENER ASY.
22	207159	Series A0	SCREW
23	210186	Series A0	SCREW, GROUND WIRE TO BASE
24	211294	Series A0	SCREW
25	213501	Series A0	SCREW, No.6-20 X 1-1/8 INCH
26	215705	Series A0	SCREW
27	Y313559	Series A0	SCREW
28	910182	Series A0	SCREW



Lavadora Maytag LAT9200AAL

No. Ilus.	N de Parte	Series 10	<u>DESCRIPCIÓN</u>
29	912012	Series A0	SCREW
30	213720	Series A0	SPRING
31	Y215699	Series A0	BRACKET, SWITCH & FUSE
33	207172L	Series A0	TOP COVER ASSY ALM----NA
34	215704	Series A0	UNBALANCE LEVER

Distribuidor Autorizado

SurteRápido.com

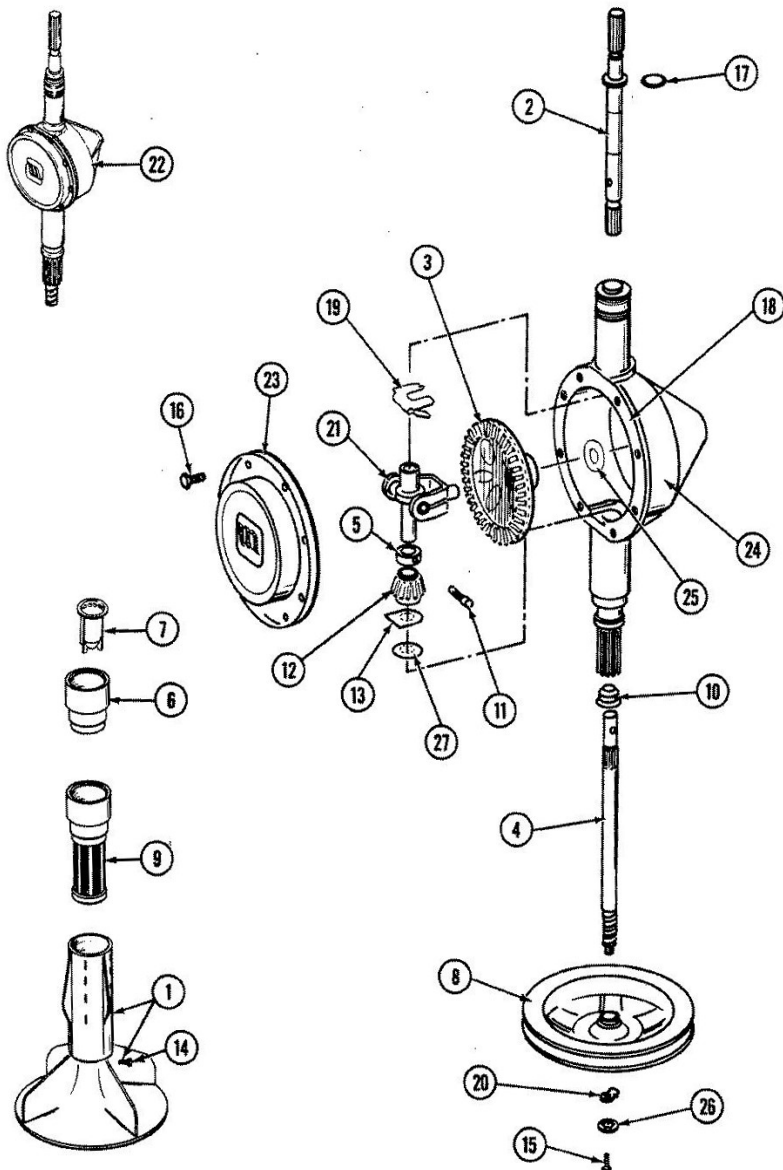
Venta de Refacciones
Electrodomesticas

Lavadora Maytag LAT9200AAL

Section: TRANSMISSION

P/N 16000347

Models: ALL EXTRA LARGE CAPACITY MODELS





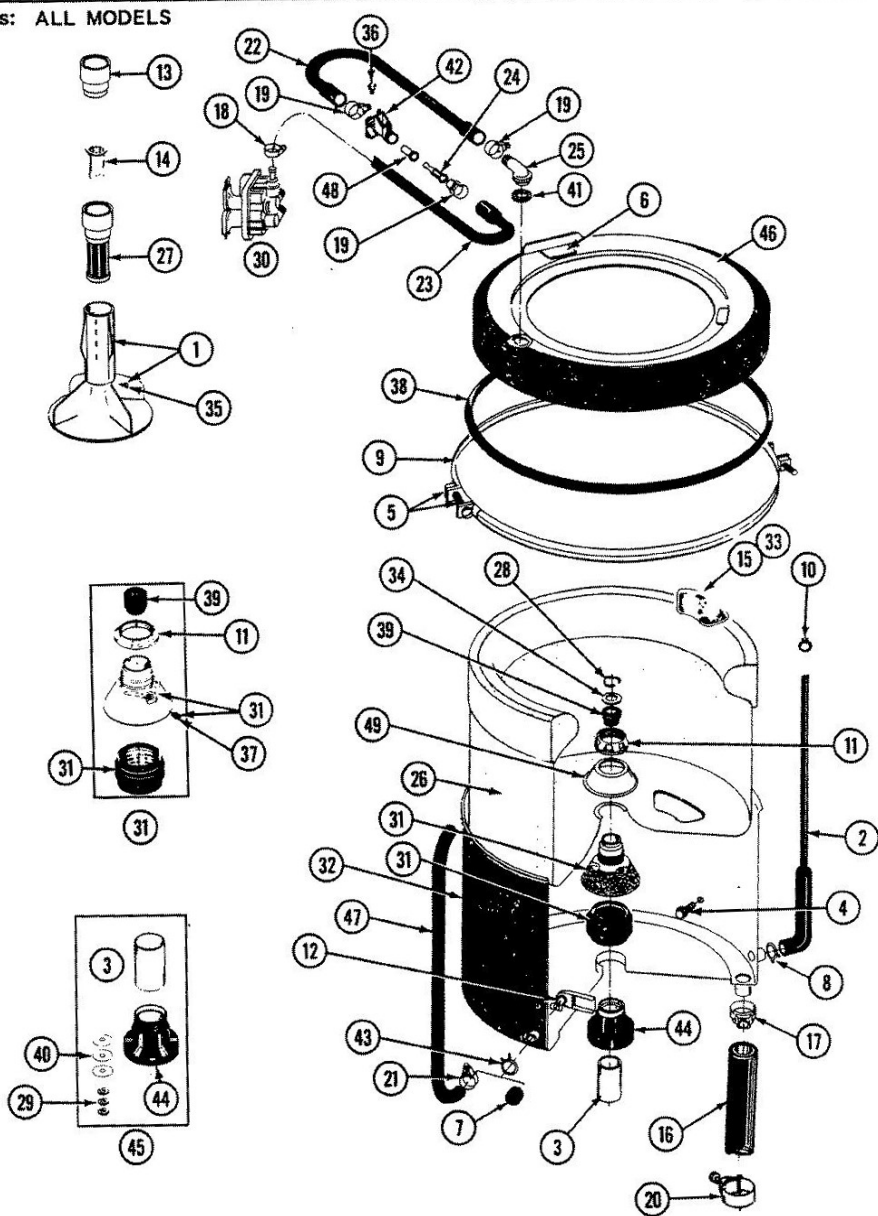
Lavadora Maytag LAT9200AAL

No.Illus.	N de Parte	Series 10	<u>DESCRIPCIÓN</u>
1	207228	Series A0	AGITATOR W/LOCK SCREW
2	207153	Series A0	SHAFT, AGITATOR (W/SPRING)
3	206713	Series A0	GEAR, BEVEL
4	215410	Series A0	CENTER SHAFT - LARGER
5	215415	Series A0	COLLAR, LOWER
6	215721	Series A0	DISPENSING CAP
7	215733	Series A4	DISPENSING CUP
8	211059	Series A0	PULLEY, DRIVE
10	206602	Series A0	SEAL, LIP (CENTER SHAFT)
11	Y206629	Series A0	PIN, COLLAR
12	215401	Series A0	PINION
13	215395	Series A0	PLATE, CLUTCH
14	206478	Series A0	SCREW & WASHER FOR AGITATOR
15	211375	Series A0	SCREW,STOP LUG(CENTER SHAFT)
16	215417	Series A0	SCREW, TRANSMISSION COVER
17	210690	Series A0	SEAL, RUBBER
18	Y058700	Series A0	SILASTIC,ADH.SEALANT
19	215581	Series A0	SPRING, AGITATOR SHAFT
20	211089	Series A0	LUG, STOP
21	206685	Series A0	BLOCK, TORQUE AND YOKE ASSEMB
22	206707	Series A0	TRANSMISSION, ORBITAL
23	206628	Series A0	COVER, TRANSMISSION
24	206624	Series A0	HOUSING, TRANSMISSION
25	215394	Series A0	WASHER, BEVEL GEAR
26	211090	Series A0	WASHER, LOCK
27	211483	Series A0	WASHER, SPLINED

Section: TUB

P/N 16000347

Models: ALL MODELS





Lavadora Maytag LAT9200AAL

No.Illus.	N de Parte	Series 10	DESCRIPCIÓN
1	207228	Series A0	AGITATOR W/LOCK SCREW
2	212942	Series A0	AIR DOME AND TUBE
3	211130	Series A4	LINER, TUB BEARING
4	200744	Series A0	BOLT & GASKET ASSY.(SHORT)
4	205254	Series A0	BOLT & GASKET ASSEMBLY (LONG)
5	205529	Series A0	NUT & BOLT KIT FOR TUB CLAM
6	215232	Series A0	UNBALANCE BUMPER
7	214725	Series A0	CAP FOR SPOUT-OUTER TUB
8	211641	Series A0	CLAMP, 1-1/16``
9	200846	Series A0	CLAMP - TUB COVER
10	410296	Series A0	CLAMP,WATER LEVEL SWTCH TUBE
11	211047	Series A4	NUT, CLAMPING (INNER TUB)
13	215721	Series A0	DISPENSING CAP
14	215733	Series A4	DISPENSING CUP
15	207219	Series A0	FILTER, SELF-CLEANING
16	213045	Series A0	DRAIN HOSE-TUB TO PUMP
17	200900	Series A0	CLAMP, SPRAY ARM HOSE
18	201575	Series A0	HOSE CLAMP
19	202515	Series A0	HOSE CLAMP - 1-1/16 INCH
20	202574	Series A0	CLAMP, HOSE
21	205161	Series A0	CLAMP - 15/16``
22	Y215234	Series A0	INJECTOR FILL HOSE
23	213013	Series A0	HOSE, INJECTOR
24	213015	Series A0	INJECTOR NOZZLE
25	215235	Series A0	INJECTOR TUBE
26	207831	Series A0	INNER TUB W/PLUG
28	Y015667	Series A0	RETAINING RING
29	Y054867	Series A4	WASHER, LOCK



Lavadora Maytag LAT9200AAL

No.Ilus.	N de Parte	Series 10	<u>DESCRIPCIÓN</u>
30	205613	Series A0	WATER VALVE
31	204012	Series A0	MOUNTING STEM REPAIR KIT
32	205484	Series A0	OUTER TUB
34	Y015666	Series A0	WASHER,RETAINING(CENTER SEAL)-
35	206478	Series A0	SCREW & WASHER FOR AGITATOR
36	312620	Series A0	SEMS SCREW, No.10-16 X 1/2``
37	211618	Series A4	SET SCREW, MTG. STEM
38	211232	Series A0	SEAL
39	Y0A4298	Series A4	SEAL, AGITATOR DRIVE SHAFT
40	211100	Series A0	WASHER, CUSHION
41	215233	Series A0	SEAL FOR INJECTOR TUBE
42	215447	Series A0	SLEEVE FOR INJECTOR
43	214739	Series A0	SPRING HOSE CLAMP
44	200824	Series A4	BEARING, TUB
45	204013	Series A4	TUB BEARING REPAIR KIT
46	206380	Series A0	TUB COVER
48	213016	Series A0	VALVE FOR INJECTOR SUB
49	211210	Series A0	WASHER,CLAMPING NUT