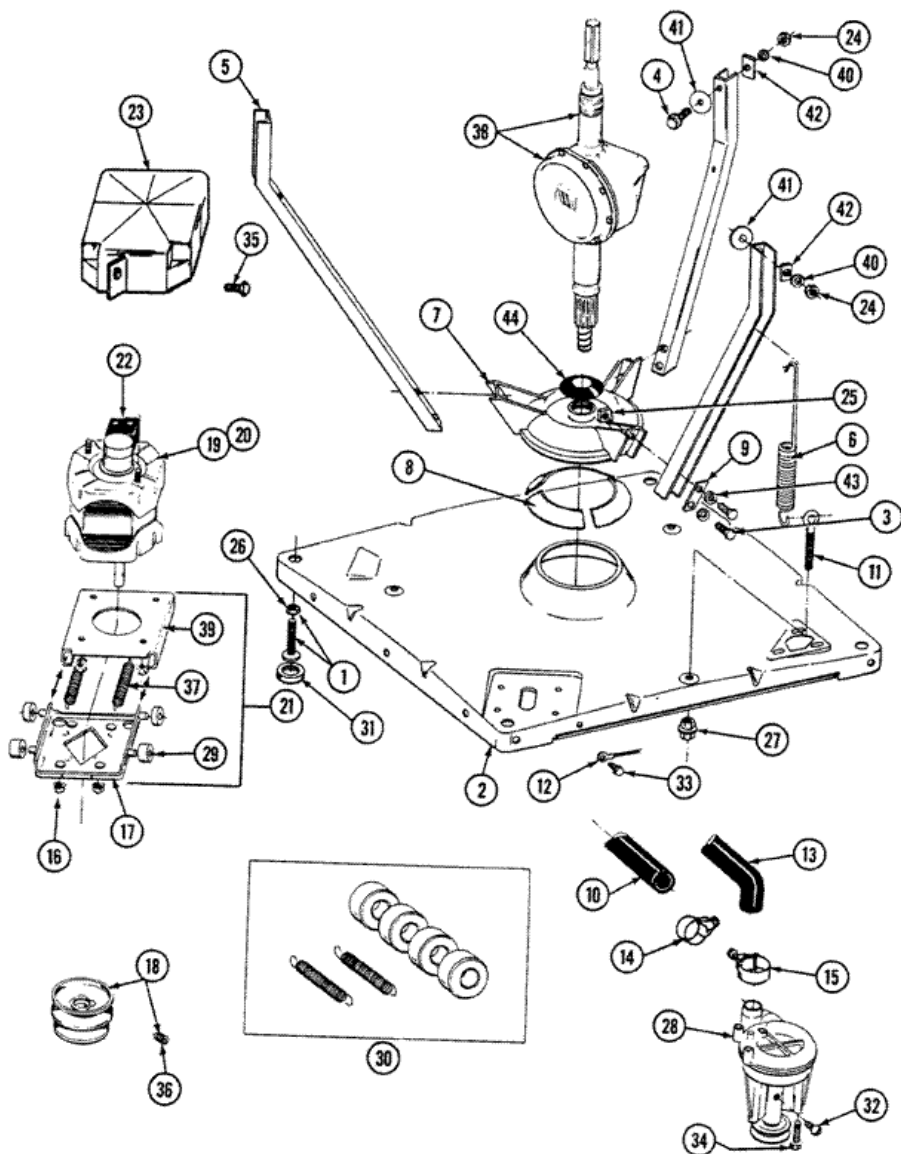


Distribuidor Autorizado

SurteRápido.com

Venta de Refacciones
Electrodomesticas

LAT9200BAL BASE





LAT9200BAL BASE

1	22003428	LEG, ADJUSTABLE (W/NUT)
2	203274	BASE WITH DAMPER PADS (S/P)
3	Y015627	SCREW, HEX HD CAP 5/16 X 5/8 (S/P)
4	205254	BOLT & GASKET ASSEMBLY (LONG) (S/P)
4	200744	BOLT & GASKET ASSY.(SHORT) (S/P)
5	213053	BRACE, TUB
6	213054	CENTERING SPRING - 3 USED
7	203725	DAMPER W/BOLT & CLIP (S/P)
8	203956	DAMPER PAD KIT (W/POLY LUBE)
9	213073	WASHER, DOUBLE (S/P)
10	22001448	HOSE, PUMP TO SIPHON BREAK
11	216416	EYE BOLT FOR CENTER SPRING (S/P)
12	204807	GRND.WIRE, SUPP.PLTE TO TOP CVR (S/P)
13	213045	DRAIN HOSE-TUB TO PUMP
14	285655	HOSE CLAMP - 1-5/8 INCH (S/P)
15	3367052	CLAMP, HOSE (S/P)
16	311246	KEPS NUT-MOTOR BASE (S/P)
17	205908	LOWER MOTOR MOUNT (S/P)
18	2-816	PULLEY, MOTOR (W/SET SCREW)
19	12002351	MOTOR (ONE SPEED)
21	205999	MOTOR MOUNT ASSM COMPLETE
22	206505	SWITCH, MOTOR START DESCONTINUADO
22	205134	MOTOR EXTERNAL START DESCONTINUADO
22	205133	MOTOR EXTERNAL START DESCONTINUADO
22	205132	SWITCH, MOTOR START (S/P)
22	206504	MOTOR EXTERNAL START SWITCH (S/P)
22	205131	SWITCH, MOTOR START (S/P)
23	215098	SHIELD, MOTOR
24	Y052734	NUT (S/P)
25	Y052785	NUT, BRACE TO DAMPER (S/P)
26	210385	NUT, LOCK (S/P)
27	211949	NUT, EYEBOLT (S/P)
28	2-2203	PUMP AS PAK

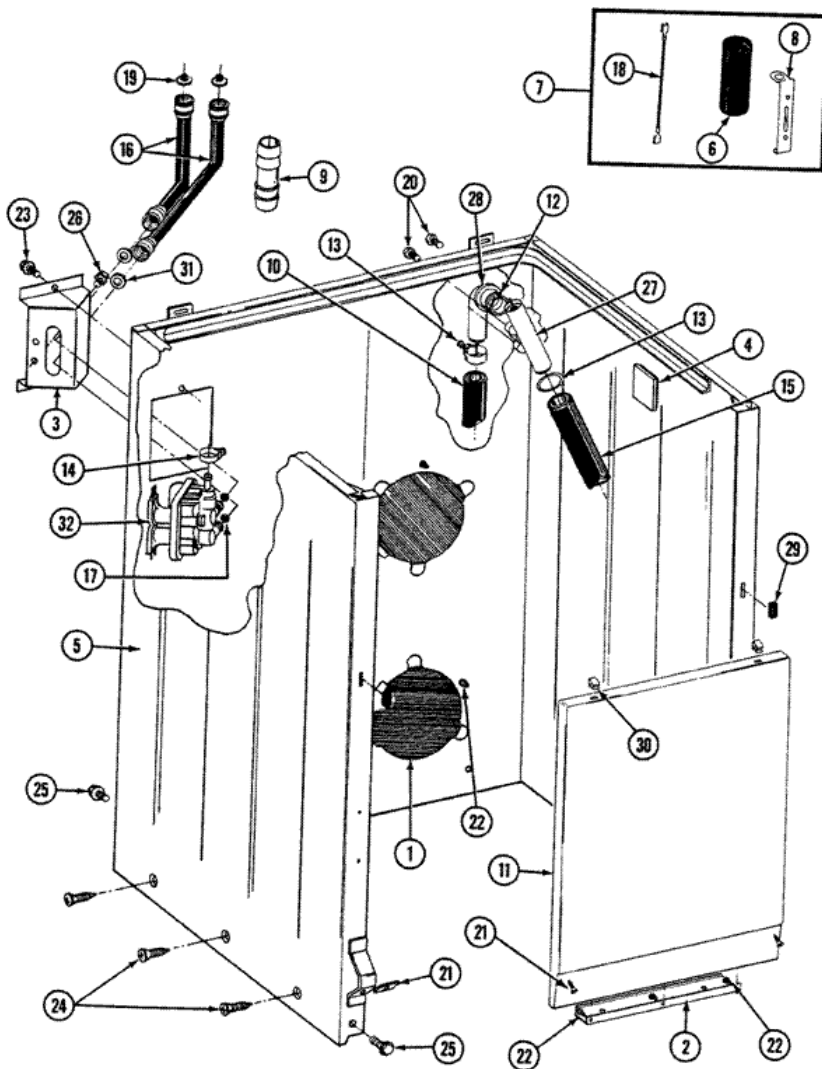
29	2-5000	GLIDE KIT (4 W/POLY LUBE)
30	2-5000	GLIDE & SPRING KIT
31	210684	FOOT, RUBBER
32	22003235	SCREW, BEARING INSERT (S/P)
33	210186	SCREW, GROUND WIRE TO BASE--NA (S/P)
34	211880	SCREW, HEX HD NO.10 X 1/2 INC (S/P)
35	213121	SCREW (S/P)
36	Y053241	SET SCREW, PULLEY (S/P)
37	2-5000	TENSION SPRINGS
38	206707	TRANSMISSION, ORBITAL (S/P)
39	214956	MOUNT, MOTOR/UPPER (S/P)
40	Y054867	WASHER, LOCK (S/P)
41	211100	WASHER, CUSHION (S/P)
42	212979	WASHER, TUB BRACE DESCONTINUADO
43	486009	WASHER, LOCK (BRACE) (S/P)
44	22001586	DEFLECTOR, WATER (DRIVE TUBE) (S/P)

Distribuidor Autorizado

SurteRápido.com

Venta de Refacciones
Electrodomesticas

LAT9200BAL GABINETE





LAT9200BAL GABINETE

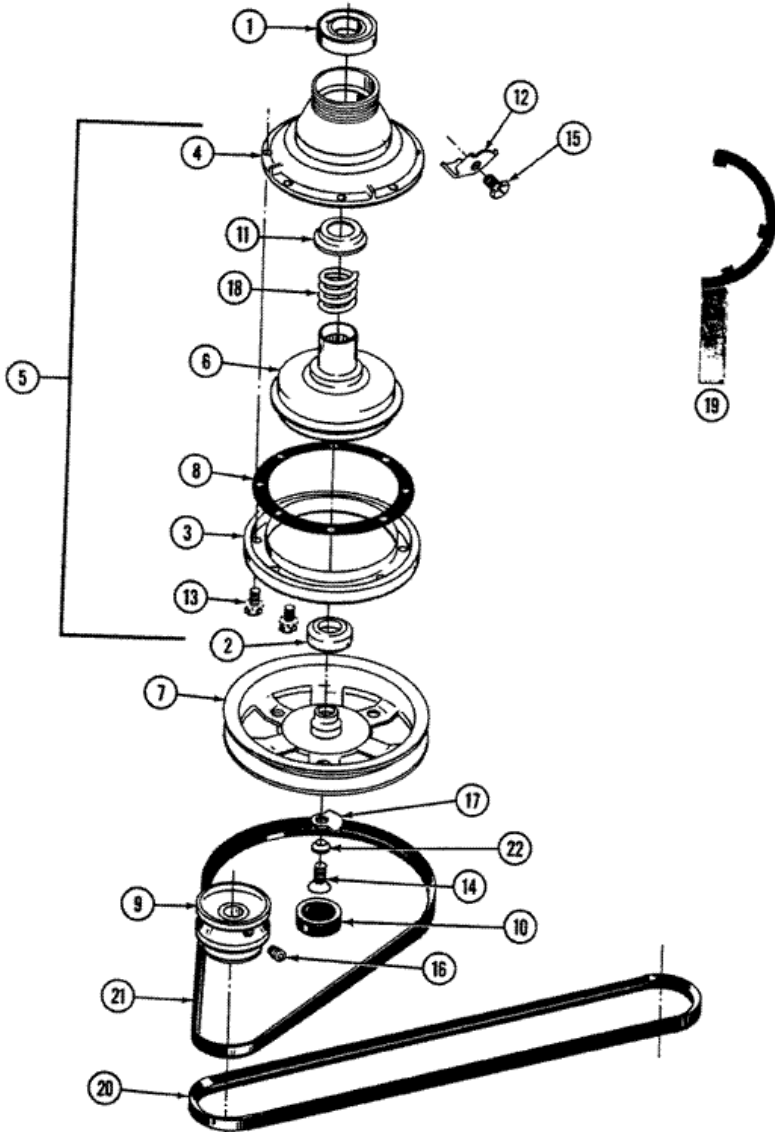
1	211878	PLATE, ACCESS DESCONTINUADO
2	213846	GUARD, BELT (S/P)
3	22002361	BRACKET, WATER VALVE (S/P)
4	215058	PAD, CABINET BUMPER (S/P)
5	203319L	(ALMOND) DESCONTINUADO
6	Y200832	CAPACITOR (S/P)
7	206103	CAPACITOR KIT (S/P)
8	211149	CLIP, CAPACITOR (S/P)
9	Y216015	HOSE COUPLING (S/P)
10	216017	HOSE, DRAIN (7/8` I.D.) (S/P)
10	Y059149	(7/8` I.D. CARTON OF 50 FT.) DESCONTINUADO
11	216078	FRONT PANEL-ALMOND (S/P)
12	214765	GASKET, SIPHON BREAK
13	285655	HOSE CLAMP - 1-1/2 INCH (S/P)
14	201575	HOSE CLAMP (S/P)
15	22001448	HOSE, PUMP TO SIPHON BREAK
16	202860	INLET HOSE ASSY. (S/P)
17	214337	SCREEN, VALVE (S/P)
18	203237	No.17 WIRE WITH TERMINAL (S/P)
19	12001413	SCREEN WASHER, INLET HOSE (S/P)
20	Y014874	SCREW (S/P)
21	204439	SCREW & FSTNER ASSY(FRT.PANEL)
22	211294	SCREW (S/P)
23	212276	SCREW (S/P)
24	213007	SCREW, CABINET (S/P)
25	213121	SCREW (S/P)
25	213122	SCREW, CBNT.TO FRNT OF BASE (S/P)
27	2-6638	SIPHON BREAK(W/CLAMP)
28	W10116738	ELBOW, SIPHON BREAK
29	22002331	SPACER, FRONT PANEL (S/P)
30	22001650	FASTENER, PANEL
31	Y013783	GASKET, INLET HOSE (S/P)
32	205613	WATER VALVE (S/P)

Distribuidor Autorizado

SurteRápido.com

Venta de Refacciones
Electrodomesticas

LAT9200BAL CLUTCH





LAT9200BAL CLUTCH

1	22003441	BALL BEARING, RADIAL
2	2-835	BEARING, BRAKE ROTOR
3	2-1190	DRUM, BRAKE
4	211045	HOUSING, BRAKE (S/P)
5	2-1190	BRAKE ASSEMBLY
6	201126	ROTOR, BRAKE (W/FACING) (S/P)
7	211059	PULLEY, DRIVE (S/P)
8	211042	GASKET, BRAKE DRUM (S/P)
9	2-816	PULLEY, MOTOR (W/SET SCREW)
10	211038	CAP, OIL RETAINER DESCONTINUADO
11	211039	RETAINER, BRAKE SPRING (S/P)
12	213325	CLIP, RETAINER
13	211000	SCREW, HEX HEAD (BRAKE DRUM) (S/P)
14	211375	SCREW, STOP LUG(CENTER SHAFT) (S/P)
15	213326	SCREW, RETAINING CLIP (S/P)
16	Y053241	SET SCREW, PULLEY (S/P)
17	211089	LUG, STOP
18	211041	SPRING, BRAKE (S/P)
19	38315	TOOL, BRAKE PKG ASSY DESCONTINUADO
20	2-11124	V BELT, PUMP (S/P)
21	2-11125	V BELT, DRIVE PULLEY (S/P)
22	22003555	WASHER, LOCK

Distribuidor Autorizado

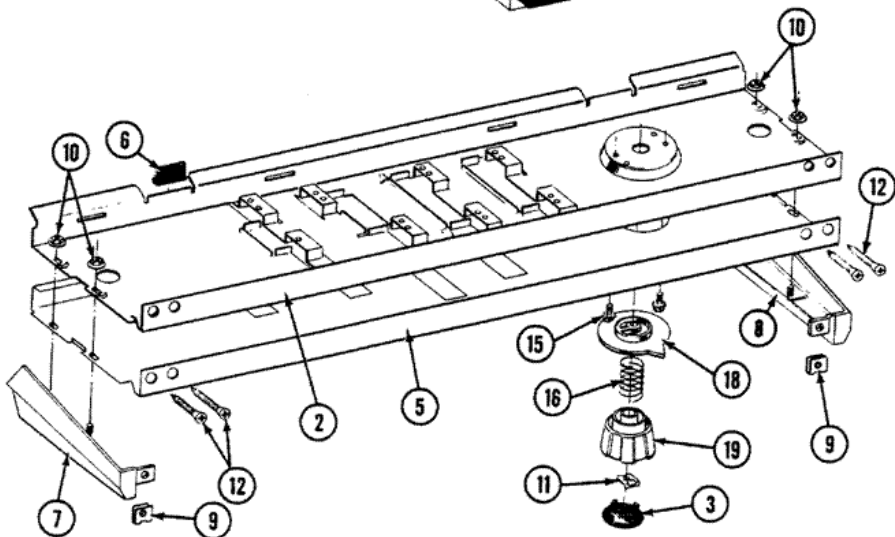
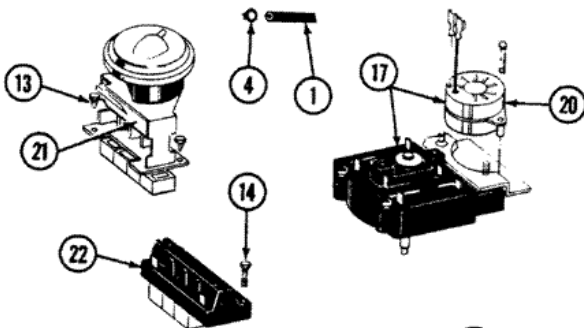
SurteRápido.com

Venta de Refacciones
Electrodomesticas

LAT9200BAL TABLERO



23





LAT9200BAL TABLERO

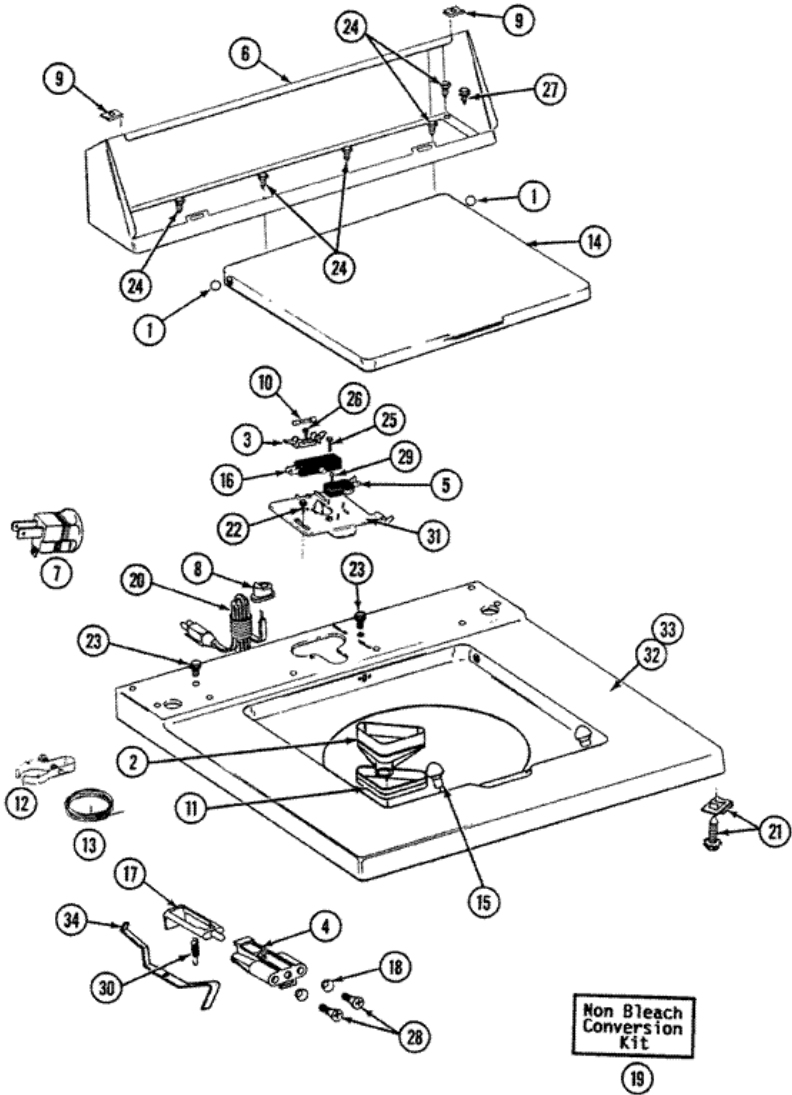
1	22001619	AIR DOME AND TUBE
2	214818	BACK UP PLATE DESCONTINUADO
3	215821	CAP, KNOB DESCONTINUADO
4	596669	CLAMP, WATER LEVEL SWTCH TUBE (S/P)
5	208114	FACIA A9200 DESCONTINUADO
6	214897	PAD, CONTROL PANEL (S/P)
7	207215	END CAP LH (S/P)
8	207216	END CAP RH (S/P)
9	214894	FASTENER, END CAP (S/P)
10	214872	PALNUT, END CAP (S/P)
11	211605	RETAINER, TIMER KNOB
12	210932	SCREW, No.8 X 9/16 CTSK (S/P)
13	211168	SCREW, No.8 X 5/16 INCH (S/P)
14	213117	SCREW-TEMP. SWITCH TO PANEL (S/P)
15	213966	SCREW-TIMER TO CONTROL PANE (S/P)
16	211065	SPRING, TIMER KNOB (S/P)
17	207378	TIMER
18	215827	TIMER DIAL SKIRT DESCONTINUADO
19	215828	KNOB, TIMER (BLK)
20	22205035	TIMER MOTOR 120-60 (S/P)
21	207361	4 LEVEL PRESSURE SWITCH
22	207367	TEMP CONTROL SWITCH - 4 DESCONTINUADO
23	207383	WIRE HARNESS (S/P)

Distribuidor Autorizado

SurteRápido.com

Venta de Refacciones
Electrodomesticas

LAT9200BAL CUBIERTA





LAT9200BAL CUBIERTA

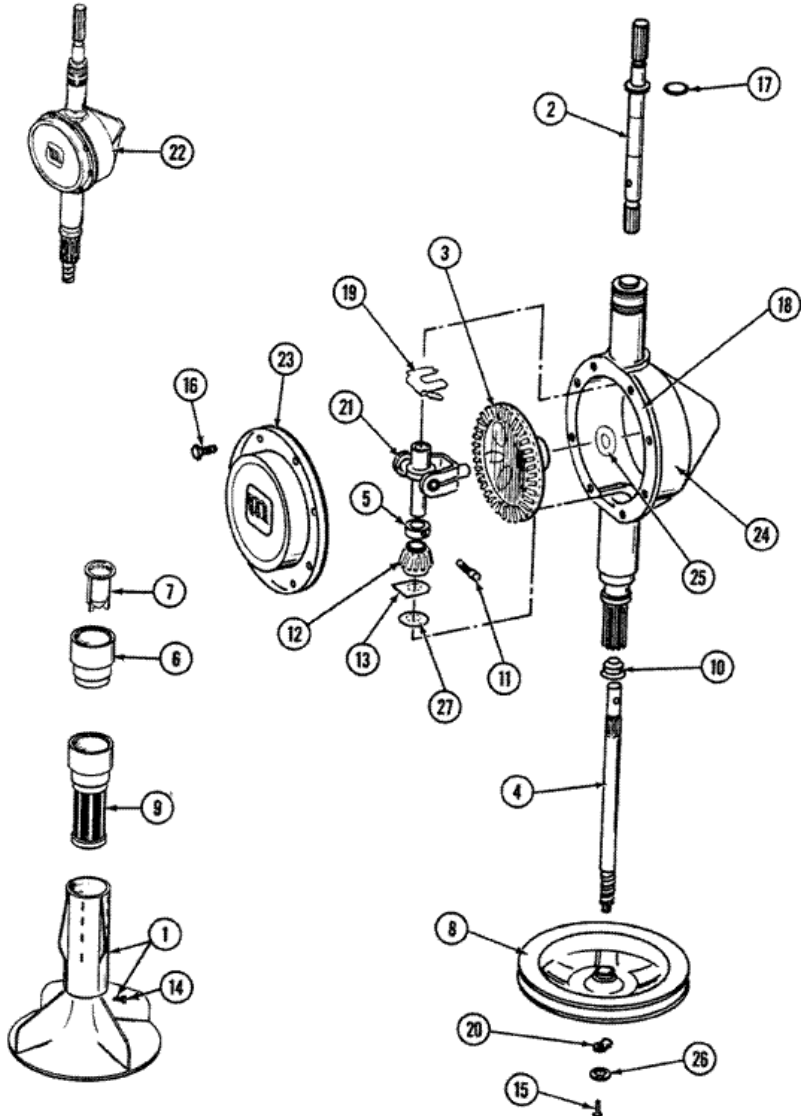
1	211726	HINGE, BALL (S/P)
2	215578	BLEACH INLET ALMOND (S/P)
3	207167	BLOCK, FUSE
4	204968	BRACKET F/LID SWITCH PLUNGE
5	16802	SWITCH, CHECK
6	205635L	CONSOLE (ALM) (S/P)
7	Y201808	CONVERTER (S/P)
8	2-11881	GROMMET, CORD
9	215075	FASTENER, CNTRL PNL TO CONSOLE (S/P)
10	22001555	FUSE (22001682)
11	214436	GASKET (S/P)
12	301548	CLAMP, GROUND (W/SCREW) (S/P)
13	311155	GROUND WIRE (S/P)
14	216073L	(ALMOND) DESCONTINUADO
15	212716	BUMPER, LID
16	279347	SWITCH, LID (W/O TUB LIGHT)
17	208591	LID SWITCH PLUNGER DESCONTINUADO
18	211500	WASHER, BRACKE TO TOP COVER (S/P)
19	205997	NON-BLEACH CONVERSION KIT (S/P)
20	204590	POWER CORD (S/P)
21	204445	SCREW & FASTENER ASY. (S/P)
22	207159	SCREW (S/P)
23	210186	SCREW, GROUND WIRE TO BASE DESCONTINUADO
24	211294	SCREW (S/P)
25	213501	SCREW, No.6-20 X 1-1/8 INCH (S/P)
26	215705	SCREW (S/P)
27	Y313559	SCREW (S/P)
28	910182	SCREW (S/P)
29	912012	SCREW (S/P)
30	213720	SPRING (S/P)
31	22001678	BRACKET, SWITCH & FUSE
33	207172L	TOP COVER ASSY ALM DESCONTINUADO
34	215704	UNBALANCE LEVER (S/P)

Distribuidor Autorizado

SurteRápido.com

Venta de Refacciones
Electrodomesticas

LAT9200BAL TRANSMISION





LAT9200BAL TRANSMISION

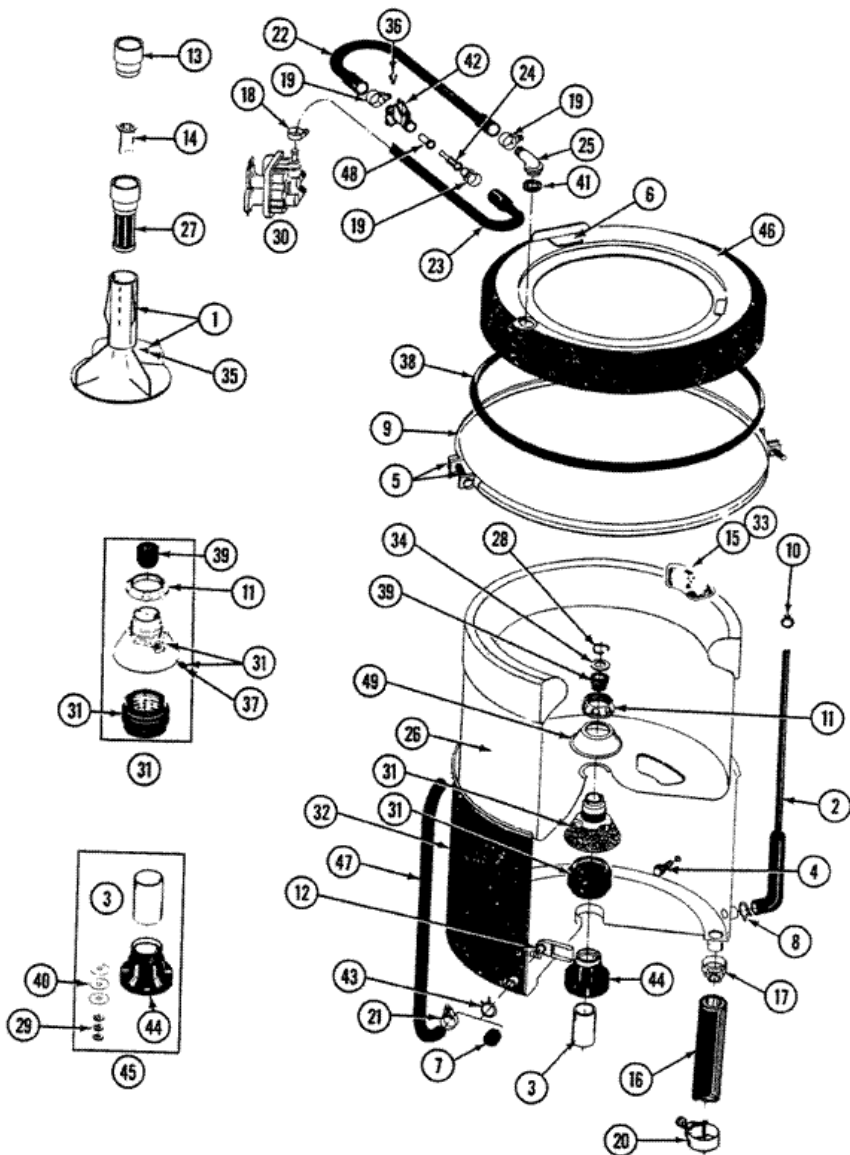
1	207228	AGITATOR W/LOCK SCREW (S/P)
2	207153	SHAFT, AGITATOR (W/SPRING) (S/P)
3	206713	GEAR, BEVEL
4	12001450	CENTER SHAFT - LARGER (S/P)
5	215415	COLLAR, LOWER
6	215721	DISPENSING CAP (S/P)
7	215733	DISPENSING CUP (S/P)
8	211059	PULLEY, DRIVE (S/P)
10	207843	SEAL, LIP (CENTER SHAFT)
11	206629	PIN, COLLAR
12	215401	PINION
13	215395	PLATE, CLUTCH
14	206478	SCREW & WASHER FOR AGITATOR (S/P)
15	211375	SCREW, STOP LUG(CENTER SHAFT) (S/P)
16	215417	SCREW, TRANSMISSION COVER (S/P)
17	210690	SEAL, RUBBER
18	675652	SILASTIC, ADH.SEALANT (S/P)
19	215581	SPRING, AGITATOR SHAFT
20	211089	LUG, STOP
21	206685	BLOCK, TORQUE AND YOKE ASSEMBL
22	206707	TRANSMISSION, ORBITAL (S/P)
23	206628	COVER, TRANSMISSION (S/P)
24	206624	HOUSING, TRANSMISSION (S/P)
25	215394	WASHER, BEVEL GEAR (S/P)
26	22003555	WASHER, LOCK
27	211483	WASHER, SPLINED

Distribuidor Autorizado

SurteRápido.com

Venta de Refacciones
Electrodomesticas

LAT9200BAL TINAS





LAT9200BAL TINAS

1	207228	AGITATOR W/LOCK SCREW (S/P)
2	22001619	AIR DOME AND TUBE
3	211130	LINER, TUB BEARING (S/P)
4	205254	BOLT & GASKET ASSEMBLY (LONG) (S/P)
4	200744	BOLT & GASKET ASSY.(SHORT) (S/P)
5	205529	NUT & BOLT KIT FOR TUB CLAM
6	215232	UNBALANCE BUMPER (S/P)
7	214725	CAP FOR SPOUT-OUTER TUB (S/P)
8	211641	CLAMP, 1-1/16`` (S/P)
9	2-846	CLAMP - TUB COVER
10	596669	CLAMP, WATER LEVEL SWTCH TUBE (S/P)
11	2-11047	NUT, CLAMPING (INNER TUB)
13	215721	DISPENSING CAP (S/P)
14	215733	DISPENSING CUP (S/P)
15	207219	FILTER, SELF-CLEANING
16	213045	DRAIN HOSE-TUB TO PUMP
17	200900	CLAMP, SPRAY ARM HOSE (S/P)
18	201575	HOSE CLAMP (S/P)
19	202515	HOSE CLAMP - 1-1/16 INCH
20	3367052	CLAMP, HOSE (S/P)
21	489503	CLAMP - 15/16`` (S/P)
22	Y215234	INJECTOR FILL HOSE (S/P)
23	213013	HOSE, INJECTOR (S/P)
24	213015	INJECTOR NOZZLE (S/P)
25	215235	INJECTOR TUBE (S/P)
26	207831	INNER TUB W/PLUG DESCONTINUADO
28	Y015667	RETAINING RING (S/P)
29	Y054867	WASHER, LOCK (S/P)
30	205613	WATER VALVE (S/P)
31	204012	MOUNTING STEM REPAIR KIT (S/P)
32	205484	OUTER TUB (S/P)
34	Y015666	WASHER, RETAINING(CENTER SEAL) (S/P)
35	206478	SCREW & WASHER FOR AGITATOR

36	312620	SEMS SCREW, NO.10-16 X 1/2`` (S/P)
37	22001423	SET SCREW, MTG. STEM (S/P)
38	211232	SEAL (S/P)
39	A4298	SEAL, AGITATOR DRIVE SHAFT
40	211100	WASHER, CUSHION (S/P)
41	2-15233	SEAL FOR INJECTOR TUBE
42	215447	SLEEVE FOR INJECTOR
43	596669	SPRING HOSE CLAMP (S/P)
44	2-4013	BEARING, TUB
45	2-4013	TUB BEARING REPAIR KIT
46	206380	TUB COVER DESCONTINUADO
48	216201	VALVE FOR INJECTOR SUB
49	211210	WASHER, CLAMPING NUT(STAINLESS) (S/P)