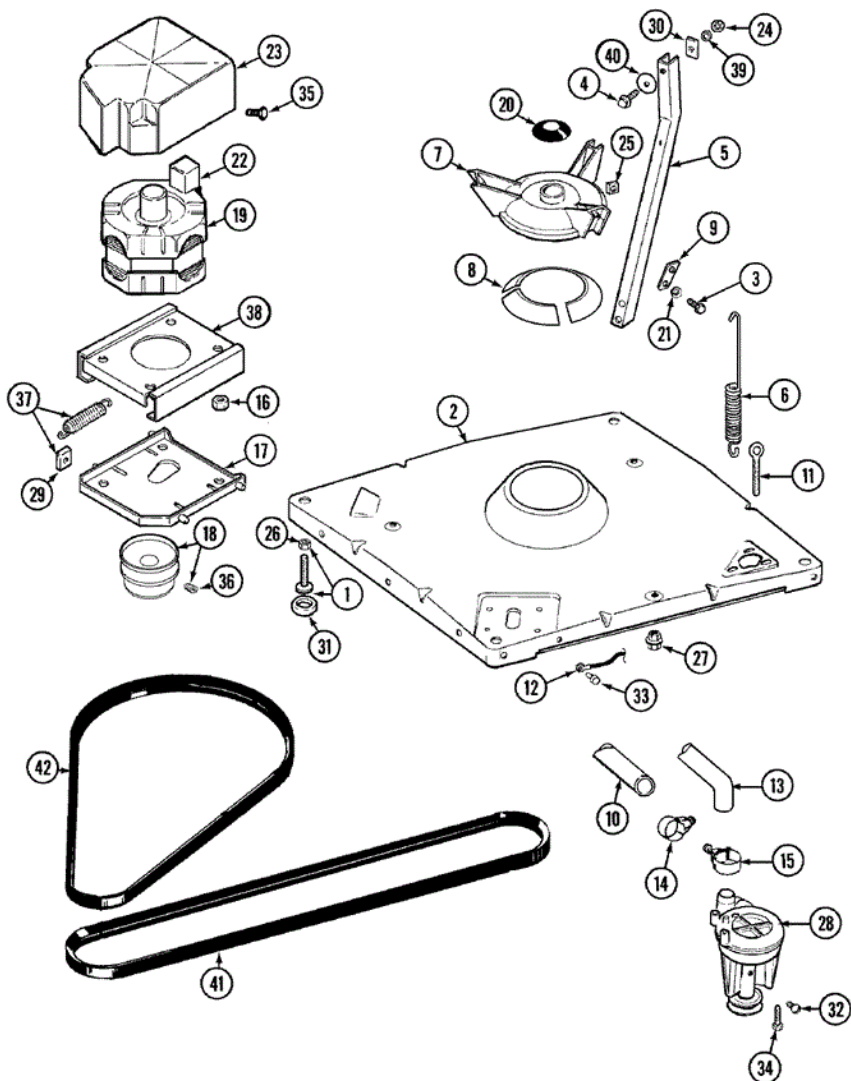


Distribuidor Autorizado

SurteRápido.com

Venta de Refacciones
Electrodomesticas

LAT9206AAE BASE



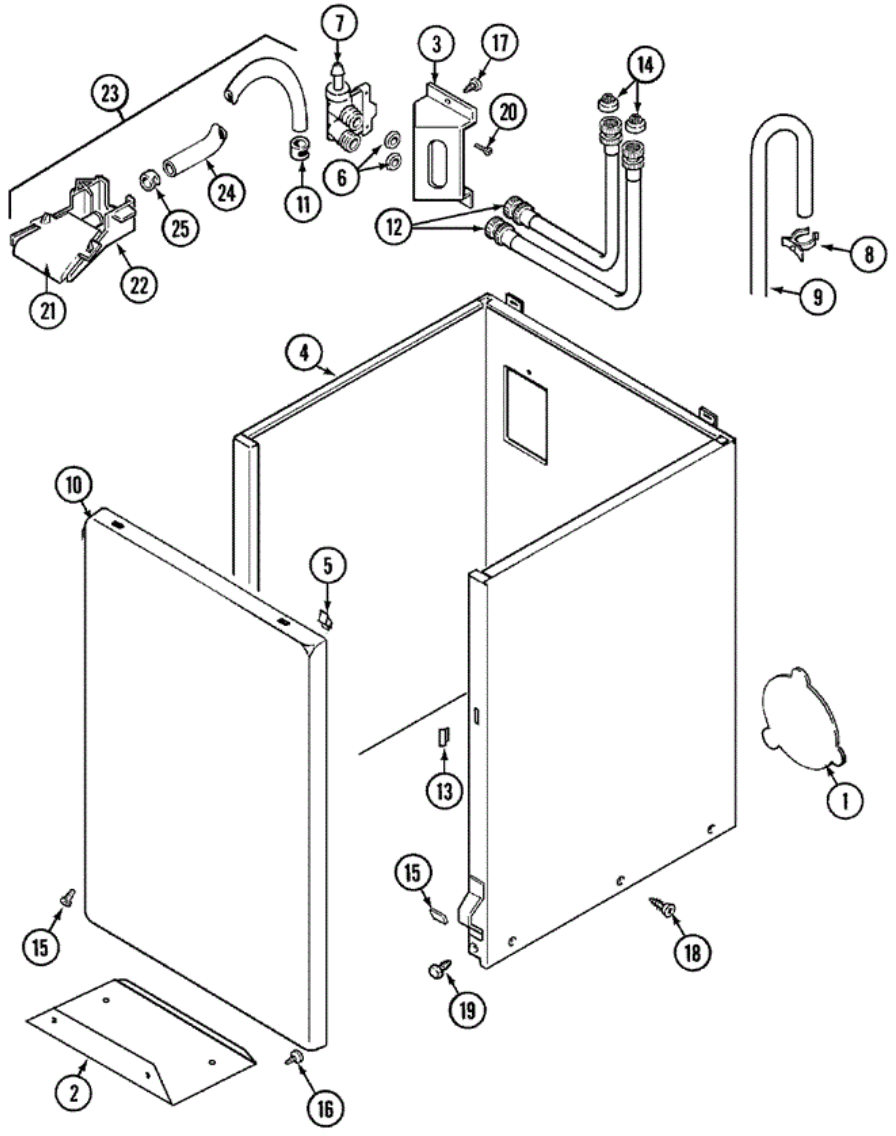


LAT9206AAE BASE

1	Y302699	10	LEG, ADJUSTABLE (W/NUT)
2	22001172	10	BASE (W/DAMPER PADS)
3	Y015627	10	SCREW, HEX HD CAP 5/16 X 5/8
4	200744	10	BOLT & GASKET ASSY.(SHORT)
4	205254	10	BOLT & GASKET ASSEMBLY (LONG)
5	213053	10	BRACE, TUB
6	22001300	10	SPRING, CENTERING
7	203725	10	DAMPER W/BOLT & CLIP
8	203956	10	DAMPER PAD KIT (W/POLY LUBE)
9	213073	10	WASHER, DOUBLE
10	22001816	10	HOSE, DRAIN
11	216416	10	BOLT, EYE/CENTERING SPRING
12	901220	10	WIRE, GROUND
13	213045	10	DRAIN HOSE-TUB TO PUMP
14	22001820	10	CLAMP, HOSE
15	22001640	10	CLAMP, HOSE
16	Y311426	10	NUT, WASHERED LOCK
17	22001301	10	MOUNT, MOTOR LOWER-ASSEMBLY
18	200816	10	PULLEY, MOTOR (W/SET SCREW)
19	201805	10	MOTOR (ONE SPEED)
20	22001586	10	DEFLECTOR, WATER
21	911852	10	WASHER, LOCK (BRACE)
22	205132	10	SWITCH, MOTOR START
22	206505	10	SWITCH, MOTOR START
23	215098	10	SHIELD, MOTOR
24	Y052734	10	NUT
25	Y052785	10	NUT,BRACE TO DAMPER
26	210385	10	NUT, LOCK
27	211949	10	NUT, EYEBOLT
28	202203	10	PUMP AS PAK
29	204998	10	GLIDE KIT (4 W/POLY LUBE)
30	212979	10	WASHER, TUB BRACE
31	210684	10	FOOT, RUBBER

32	Y015408	10	SCREW, BEARING INSERT
33	Y705026	10	SCREW
34	211880	10	SCREW, HEX HD NO.10 X 1/2 INC
35	213121	10	SCREW
36	Y053241	10	SET SCREW, PULLEY
37	205000	10	GLIDE & SPRING KIT
38	214956	10	MOUNT, MOTOR/UPPER
39	Y054867	10	WASHER, LOCK
40	211100	10	WASHER, CUSHION
41	211124	10	V BELT, PUMP
42	211125	10	V BELT,DRIVE PULLEY

LAT9206AAE GABINETE



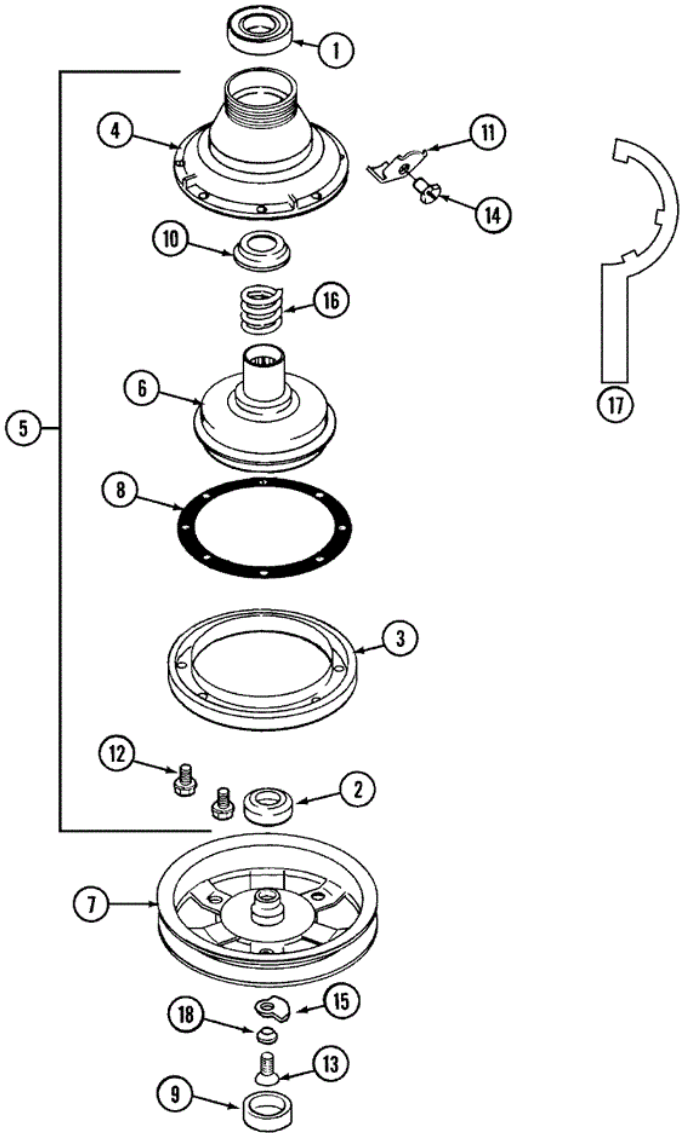


LAT9206AAE GABINETE

1	211294	10	SCREW
1	211878	10	PLATE, ACCESS
1	22001683	10	PLATE, ACCESS (W/HOLE)
2	213846	10	GUARD, BELT
3	214812	10	BRACKET,WATER VALVE
3	22002361	20	BRACKET, VALVE
4	22001302	10	CABINET (WHT)
4	22002379	18	CABINET (WHT)
5	22001650	10	FASTENER, SPRING
6	Y013783	10	GASKET, INLET HOSE
7	214337	10	SCREEN, VALVE
7	22001274	10	VALVE, WATER
7	22002360	20	VALVE, WATER
8	22001815	10	CLIP, HOSE
9	22001816	10	HOSE, DRAIN
10	22001803	10	PANEL, FRONT (WHT)
10	22001817	10	SHEET, SOUND DAMPER (FT. PNL)
10	22002366	18	PANEL, FRONT (WHT)
11	216169	10	CLAMP,HOSE-INJEC.HOSE TO VALVE
12	202860	10	INLET HOSE ASSY.
13	214376	10	SPACER, FRONT PANEL
14	200961	10	SCREEN WASHER, INLET HOSE
15	12001341	10	SCREW & FASTENER KIT (WHT)
15	22001995	18	SCREW
15	22002376	18	CLIP
15	22002377	18	CLIP, RETAINER (LOWER)
15	22002378	18	SCREW
16	211294	10	SCREW
17	212276	10	SCREW
17	22002372	20	SCREW
18	213007	10	SCREW, CABINET
19	213121	10	SCREW
19	213122	10	SCREW,CBNT.TO FRNT OF BASE--NA

20	Y313561	10	SCREW----NA
21	22001187	10	INJECTOR (UPR)
22	22001186	10	INJECTOR (LWR)
23	22001304	10	INJECTOR ASSY., WATER
24	22001190	10	HOSE, INJECTOR
25	216169	10	CLAMP,HOSE-INJEC.HOSE TO VALVE
26	22001972	15	CLIP, CABINET

LAT9206AAE CLUTCH

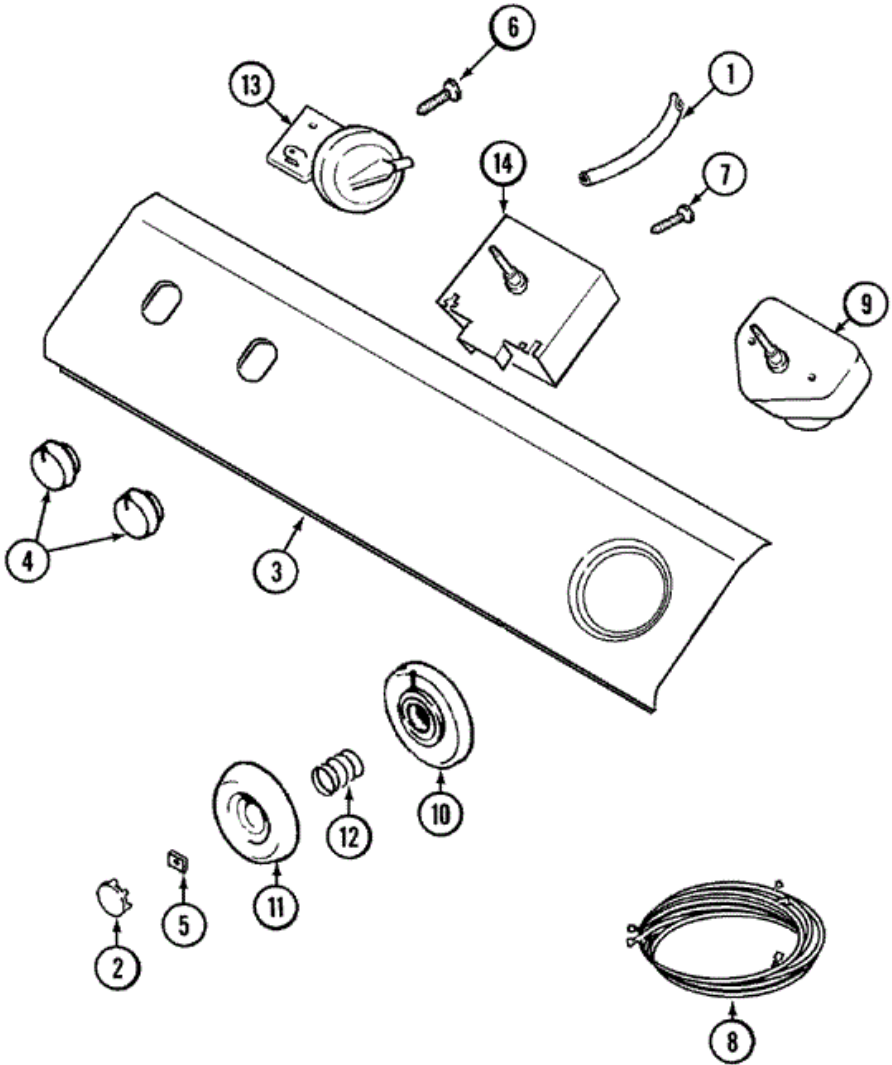




LAT9206AAE CLUTCH

1	Y200720	10	BALL BEARING, RADIAL
2	200835	10	BEARING, BRAKE ROTOR
3	211043	10	DRUM, BRAKE
4	211045	10	HOUSING, BRAKE
5	201190	10	BRAKE ASSEMBLY
6	201126	10	ROTOR, BRAKE (W/FACING)
7	211059	10	PULLEY, DRIVE
7	22002431	23	PULLEY ASSEMBLY
8	211042	10	GASKET, BRAKE DRUM
9	211038	10	CAP, OIL RETAINER
9	22002428	23	COVER, DUST (PLASTIC)
10	211039	10	RETAINER, BRAKE SPRING
11	213325	10	CLIP, RETAINER
12	211000	10	SCREW,HEX HEAD (BRAKE DRUM)
13	211375	10	SCREW,STOP LUG(CENTER SHAFT)
14	213326	10	SCREW, RETAINING CLIP
15	211089	10	LUG, STOP
16	211041	10	SPRING, BRAKE
17	Y038315	10	TOOL, BRAKE PKG ASSY
18	211090	10	WASHER, LOCK

LAT9206AAE TABLERO

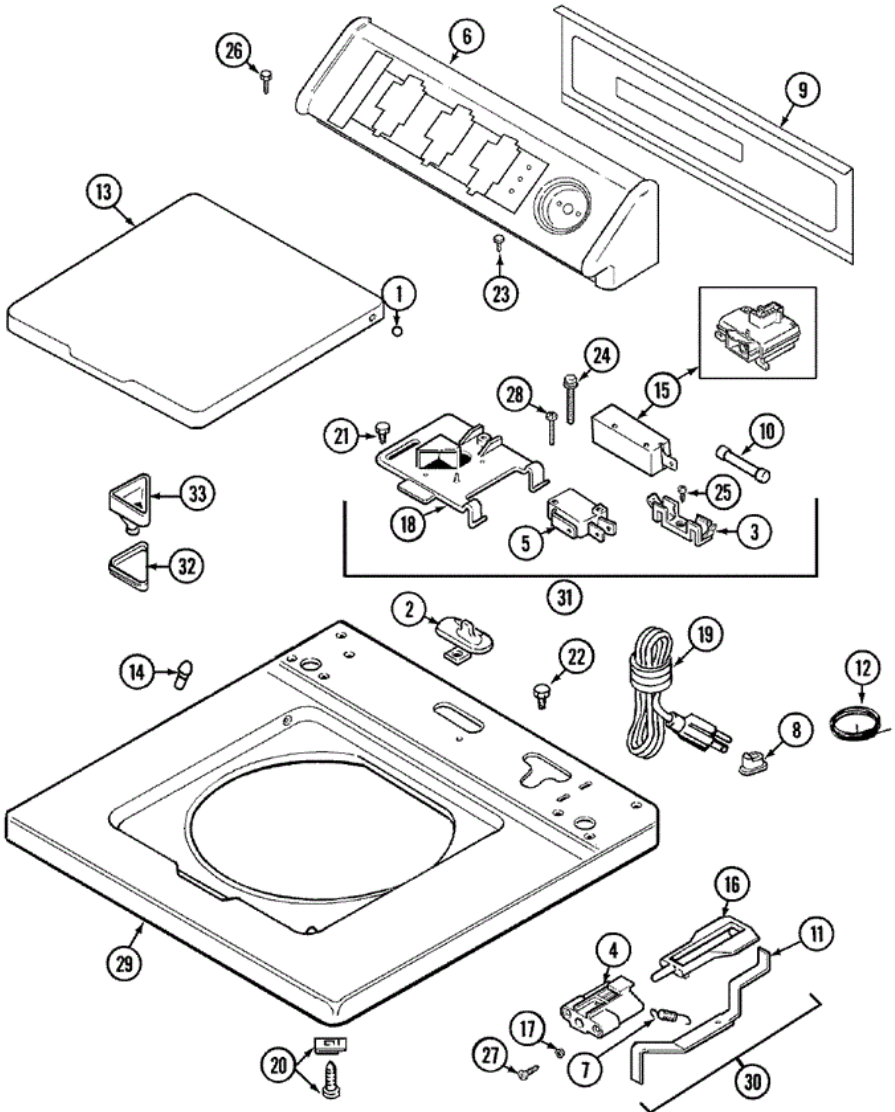




LAT9206AAE TABLERO

1	22001036	10	TUBE, WATER LEVEL SWITCH
2	22001664	10	TIMER KNOB INSERT/CAP (WHT)
3	22001652	10	PANEL, CONTROL (WHT)
4	22001663	10	KNOB, SELECTOR SWITCH (WHT)
5	211605	10	RETAINER, TIMER KNOB
6	22001662	10	SCREW
7	22001661	10	SCREW, TIMER
8	22001653	10	WIRE HARNESS, MAIN
8	22002204	15	HARNESS, WIRE
9	22001651	10	TIMER
9	22002180	15	TIMER
10	22001660	10	DIAL SKIRT - WHITE
11	22001659	10	TIMER KNOB - GREY
12	211065	10	SPRING, TIMER KNOB
13	22001656	10	5 LEVEL ROTARY PRESSURE SWITCH
14	22001655	10	SWITCH, WATER TEMP. (3 POS.)
15	16000327	10	GUIDE, QUICK REF. - MAYTAG
15	22001657	10	MANUAL, USE & CARE
15	22001658	10	MANUAL, USE & CARE (FRNCH)

LAT9206AAE CUBIERTA



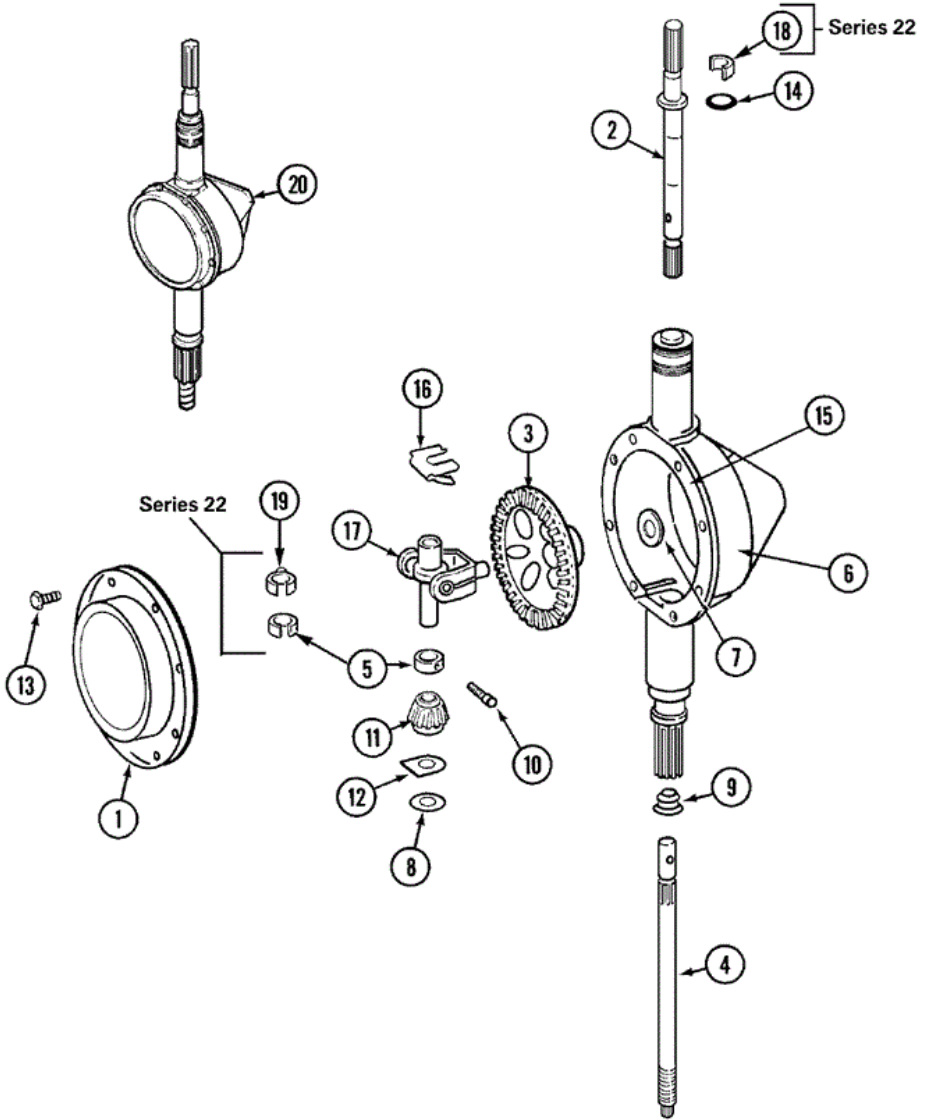


LAT9206AAE CUBIERTA

1	211726	10	HINGE, BALL
2	207159	10	SCREW
2	22001298	10	CAP, TOP COVER
3	207167	10	BLOCK, FUSE
3	W10124350	15	NOT REQUIRED PART OR SEE NOTE
4	22001645	10	BRACKET, UNBALANCE----NA
5	207166	10	SWITCH, CHECK
5	W10124350	15	NOT REQUIRED PART OR SEE NOTE
6	22001670	10	CONSOLE (WHT)
7	213720	10	SPRING
8	211881	10	GROMMET, CORD
9	216423	10	SCREW
9	22001662	10	SCREW
9	22001814	10	BACK PANEL, CONSOLE
10	22001673	10	FUSE
10	W10124350	15	NOT REQUIRED PART OR SEE NOTE
11	22001672	10	LEVER, UNBALANCE
11	22001968	15	LEVER, UNBALANCE
12	22001654	10	WIRE, GROUND
12	Y705026	10	SCREW
13	22001674	10	LID W/LEGEND (WHT)
13	22001676	10	LID W/LEGEND (CANADA-WHT)
14	212716	10	BUMPER, LID
15	205415	10	SWITCH, LID (W/O TUB LIGHT)
15	22001967	15	SWITCH, LID
16	216255	10	PLUNGER, UNBALANCE
17	211500	10	WASHER,BRACKE TO TOP COVER
18	22001678	10	BRACKET, SWITCH & FUSE
18	W10124350	15	NOT REQUIRED PART OR SEE NOTE
19	208194	10	CORD, POWER
20	22001402	10	SCREW
21	207159	10	SCREW
22	Y705026	10	SCREW

23	216423	10	SCREW
24	213501	10	SCREW, NO.6-20 X 1-1/8 INCH
25	Y311711	10	SCREW
26	216423	10	SCREW
27	22001600	10	SCREW (OVAL CTSK HD)
28	22001352	10	SCREW, CHECK SWITCH
29	22001679	10	TOP, MAIN (WHT-NONBLEACH)
29	22002137	15	COVER ASSY., TOP (WHT-PR)
30	22001681	10	LEVER ASSY. (UNBALANCE)
30	22001969	15	UNBALANCE LEVER ASSEMBLY
31	22001682	10	SWITCH ASSY., LID W/4AMP FUSE
31	W10124350	15	NOT REQUIRED PART OR SEE NOTE
32	215374	10	GASKET FOR BLEACH CUP

LAT9206AAE TRANSMISION

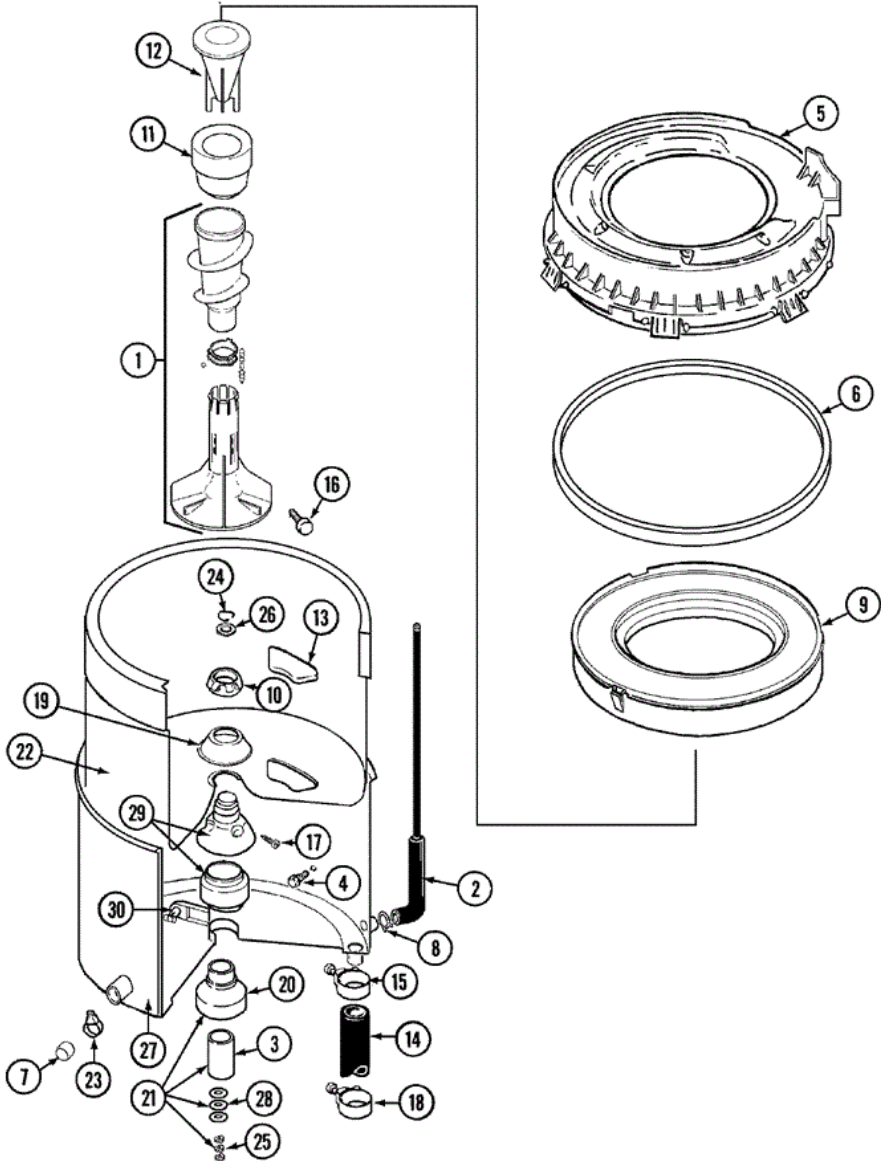




LAT9206AAE TRANSMISION

1	206628	10	COVER, TRANSMISSION
2	207153	10	SHAFT, AGITATOR (W/SPRING)
2	22002415	22	SHAFT, AGITATOR
3	206713	10	GEAR, BEVEL
4	215410	10	CENTER SHAFT - LARGER
4	22002342	22	SHAFT, CENTER (DEEP TUB)
5	215415	10	COLLAR, LOWER
5	22002353	22	COLLAR, CENTER SHAFT
6	206624	10	HOUSING, TRANSMISSION
6	22002416	22	ASSEMBLY, CASE CASTING DEEP
7	215394	10	WASHER, BEVEL GEAR
8	211483	10	WASHER, SPLINED
9	206602	10	SEAL, LIP (CENTER SHAFT)
10	Y206629	10	PIN, COLLAR
10	W10124350	22	NOT REQUIRED PART OR SEE NOTE
11	215401	10	PINION
12	215395	10	PLATE, CLUTCH
13	215417	10	SCREW, TRANSMISSION COVER
13	215417	22	SCREW, TRANSMISSION COVER
14	210690	10	SEAL, RUBBER
14	22002417	22	O-RING AGITATOR SHAFT
15	Y058700	10	SILASTIC,ADH.SEALANT
16	215581	10	SPRING, AGITATOR SHAFT
16	W10124350	22	NOT REQUIRED PART OR SEE NOTE
17	206685	10	BLOCK, TORQUE AND YOKE ASSEMBL
18	22002340	22	COLLAR, AGITATOR SHAFT
19	22002341	22	COLLAR, LOWER PLASTIC KEEPER
20	206707	10	TRANSMISSION, ORBITAL
20	22002126	22	TRANS (DEEP TUB, COMPLETE)

LAT9206AAE BASE





LAT9206AAE BASE

1	22001821	10	AGITATOR AUGER & BASE ASSY.
2	22001036	10	TUBE, WATER LEVEL SWITCH
3	211130	10	LINER, TUB BEARING
4	200744	10	BOLT & GASKET ASSY.(SHORT)
4	205254	10	BOLT & GASKET ASSEMBLY (LONG)
5	22001299	10	TUB COVER & GASKET ASSEMBLY
6	Y22001201	10	GASKET, TUB COVER
7	214725	10	CAP FOR SPOUT-OUTER TUB
8	211641	10	CLAMP, 1-1/16"
9	22001142	10	RING, BALANCE (W/CONCRETE)
10	211047	10	NUT, CLAMPING (INNER TUB)
11	22001805	10	HOUSING, DISPENSER
12	22001806	10	CUP, FABRIC SOFTENER
13	207219	10	FILTER, SELF-CLEANING
14	213045	10	DRAIN HOSE-TUB TO PUMP
15	22001640	10	CLAMP, HOSE
16	22001819	10	LOCKING SCREW & O RING
17	22001423	10	SCREW, SET (TORX)
18	22001640	10	CLAMP, HOSE
19	211210	10	WASHER,CLAMPING NUT(STAINLESS)
20	200824	10	BEARING, TUB
21	204013	10	TUB BEARING REPAIR KIT
22	22001139	10	TUB, INNER (EX. LARGE)
23	214739	10	SPRING HOSE CLAMP
24	Y015667	10	RETAINING RING
25	Y054867	10	WASHER, LOCK
26	Y015666	10	WASHER,RETAINING(CENTER SEAL)-
27	22001114	10	TUB, OUTER (EX. LARGE)
28	211100	10	WASHER, CUSHION
29	22001648	10	MOUNTING STEM AND SEAL KIT