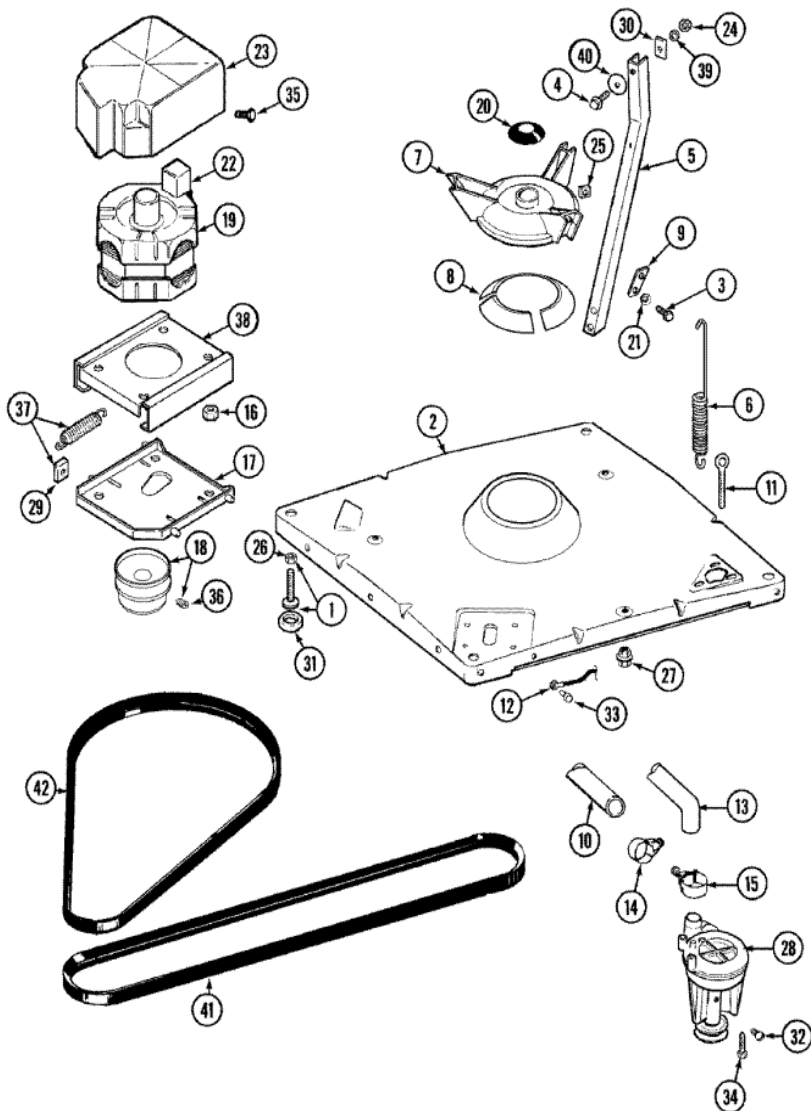


Distribuidor Autorizado

SurteRápido.com

Venta de Refacciones
Electrodomesticas

LAT9206BAE BASE





LAT9206BAE BASE

1	22003428	LEG, ADJUSTABLE (W/NUT)
2	22002150	BASE (W/DAMPER PADS)
3	Y015627	SCREW, HEX HD CAP 5/16 X 5/8 (S/P)
4	200744	BOLT & GASKET ASSY.(SHORT) (S/P) (S/P)
4	205254	BOLT & GASKET ASSEMBLY (LONG) (S/P)
5	213100	DESCONTINUADO
6	22001300	SPRING, CENTERING
7	203725	DAMPER W/BOLT & CLIP
8	203956	DAMPER PAD KIT (W/POLY LUBE)
9	213073	WASHER, DOUBLE (S/P)
10	22001816	HOSE, DRAIN (S/P)
11	216416	BOLT, EYE/CENTERING SPRING (S/P)
12	901220	WIRE, GROUND (S/P)
13	213045	DRAIN HOSE-TUB TO PUMP
14	22001820	CLAMP, HOSE (S/P)
15	22001640	CLAMP, HOSE (S/P)
16	Y311426	NUT, WASHERED LOCK (S/P)
17	22001301	MOUNT, MOTOR LOWER-ASSEMBLY (S/P)
18	200816	PULLEY, MOTOR (W/SET SCREW)
19	12002351	MOTOR (ONE SPEED)
20	22001586	DEFLECTOR, WATER (S/P)
21	486009	WASHER, LOCK (BRACE) (S/P)
23	215098	SHIELD, MOTOR
24	Y052734	NUT (S/P)
25	Y052785	NUT, BRACE TO DAMPER (S/P)
26	210385	NUT, LOCK (S/P)
27	211949	NUT, EYEBOLT (S/P)
28	2-2203	PUMP AS PAK
29	2-5000	GLIDE KIT (4 W/POLY LUBE)
30	212979	WASHER, TUB BRACE (S/P)
31	210684	FOOT, RUBBER
32	Y015408	SCREW, BEARING INSERT (S/P)
33	Y705026	SCREW (S/P)

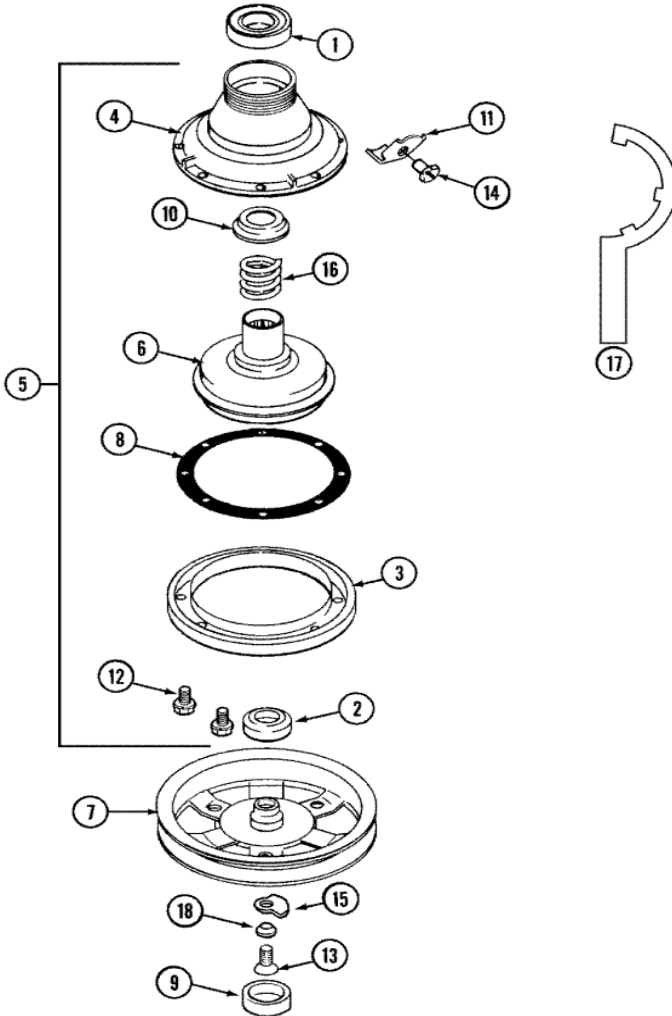
34	211880	SCREW, HEX HD No.10 X 1/2 INC (S/P)
35	213121	SCREW (S/P)
36	Y053241	SET SCREW, PULLEY (S/P)
37	2-5000	GLIDE & SPRING KIT
38	214956	MOUNT, MOTOR/UPPER (S/P)
39	Y054867	WASHER, LOCK (S/P)
40	211100	WASHER, CUSHION (S/P)
41	2-11124	V BELT, PUMP
42	2-11125	V BELT, DRIVE PULLEY



LAT9206BAE GABINETE

1	211294	SCREW (S/P)
1	211878	PLATE, ACCESS (S/P)
1	22002924	PLATE, ACCESS (W/HOLE) (S/P)
2	213846	GUARD, BELT (S/P)
3	22002361	BRACKET, VALVE (S/P)
3	22003217	SCREW, BRACKET TO CABINET (S/P)
4	22004425	CABINET (WHT) (S/P)
5	22001650	FASTENER, SPRING
6	Y013783	GASKET, INLET HOSE (S/P)
7	22002360	VALVE, WATER (S/P)
7	214337	SCREEN, VALVE (S/P)
8	22002765	CLIP, HOSE (S/P)
9	22001816	HOSE, DRAIN (S/P)
10	22001817	SHEET, SOUND DAMPER (FT. PNL) (S/P)
10	22002366	PANEL, FRONT (WHT) (S/P)
11	216169	CLAMP, HOSE-INJEC.HOSE TO VALVE (S/P)
12	202860	INLET HOSE ASSY. (S/P)
13	22002331	SPACER, FRONT PANEL (S/P)
14	12001413	SCREEN WASHER, INLET HOSE (S/P)
15	22002377	CLIP, RETAINER (LOWER) (S/P)
15	12001341	SCREW & FASTENER KIT (WHT) (S/P)
15	22002376	CLIP (S/P)
16	211294	SCREW (S/P)
17	22002372	SCREW (S/P)
18	213007	SCREW, CABINET (S/P)
19	213121	SCREW (S/P)
21	22001187	INJECTOR (UPR)
22	22001186	INJECTOR (LWR)
23	22001304	INJECTOR ASSY., WATER (S/P)
24	22001190	HOSE, INJECTOR
25	216169	CLAMP, HOSE-INJEC.HOSE TO VALVE (S/P)
26	22001972	CLIP, CABINET (S/P)

LAT9206BAE CLUTCH





LAT9206BAE CLUTCH

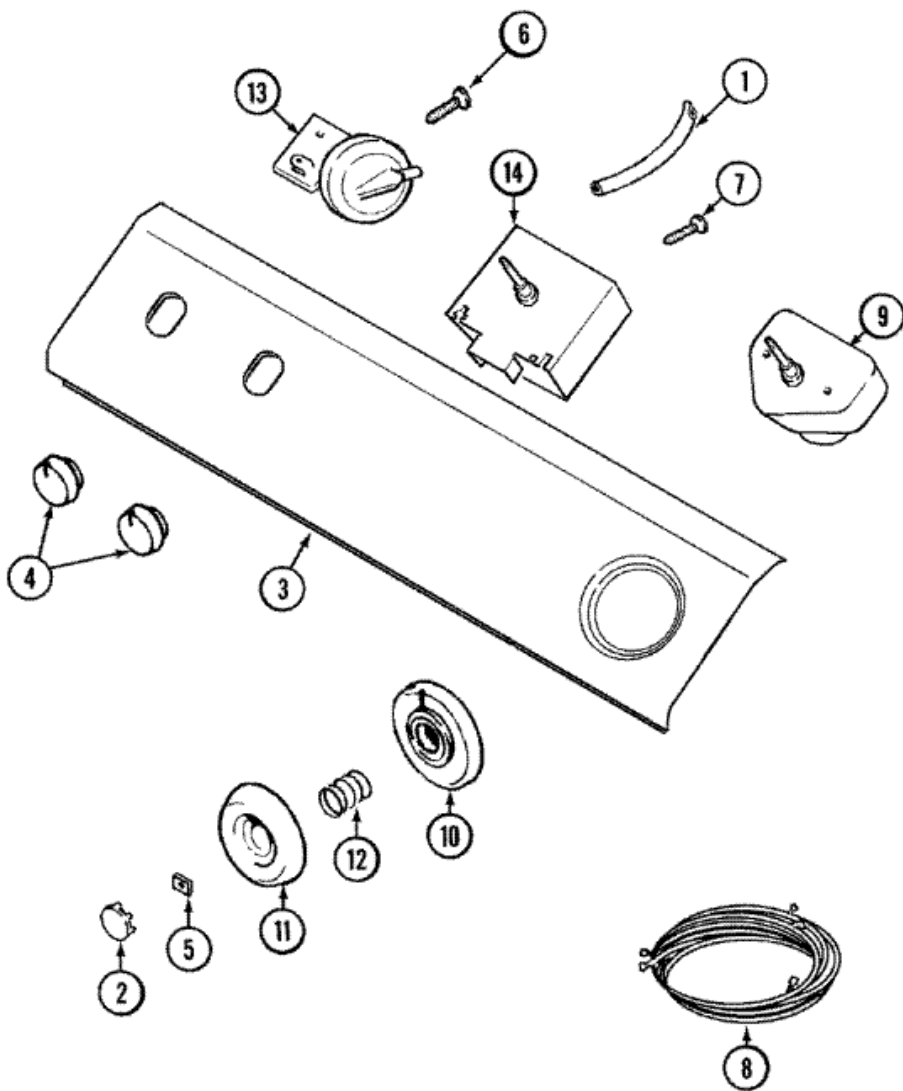
1	22003441	BALL BEARING, RADIAL
2	2-835	BEARING, BRAKE ROTOR
3	2-1190	DRUM, BRAKE
4	2-1190	HOUSING, BRAKE
5	2-1190	BRAKE ASSEMBLY
6	2-1190	ROTOR, BRAKE (W/FACING)
7	22002429	PULLEY, DRIVE
7	22002431	PULLEY ASSEMBLY (S/P)
8	2-1190	GASKET, BRAKE DRUM
9	211038	DESCONTINUADO
9	22002428	COVER, DUST (PLASTIC) (S/P)
10	2-1190	RETAINER, BRAKE SPRING
11	213325	CLIP, RETAINER
12	211000	SCREW, HEX HEAD (BRAKE DRUM) (S/P)
13	211375	SCREW, STOP LUG(CENTER SHAFT)
14	213326	SCREW, RETAINING CLIP (S/P)
15	211089	LUG, STOP
16	2-1190	SPRING, BRAKE
17	Y038315	DESCONTINUADO
18	22003555	WASHER, LOCK

Distribuidor Autorizado

SurteRápido.com

Venta de Refacciones
Electrodomesticas

LAT9206BAE TABLERO





LAT9206BAE TABLERO

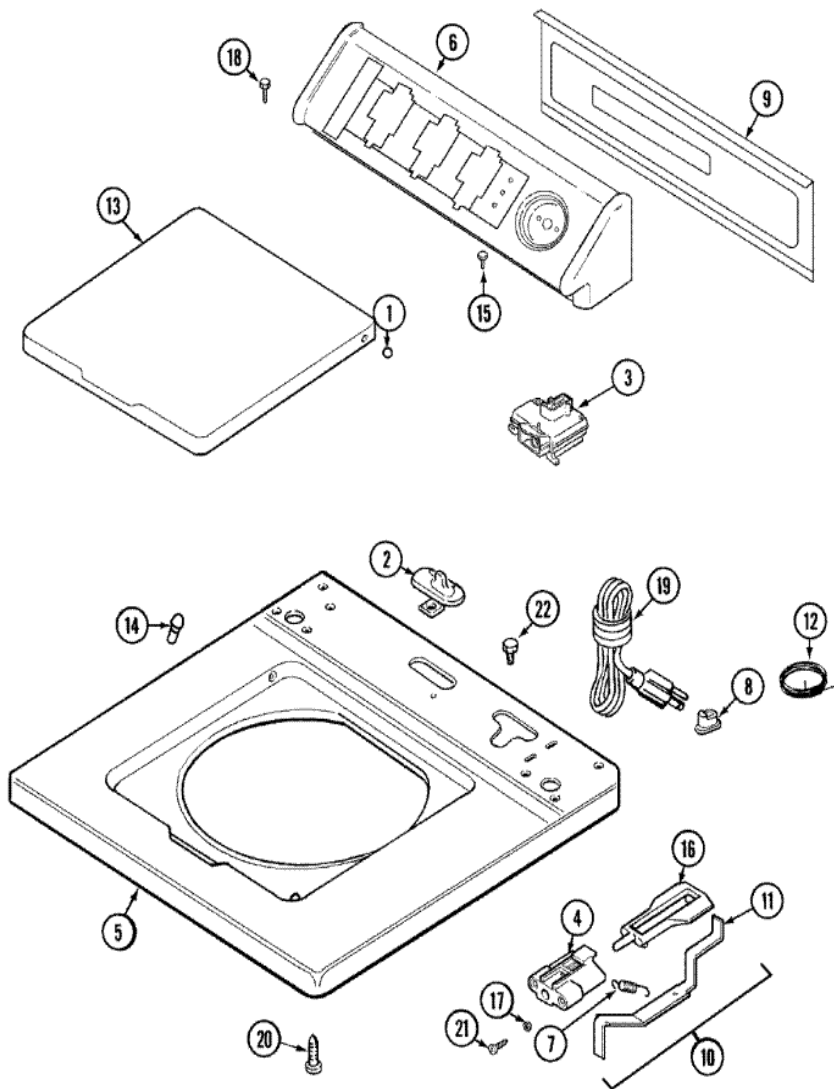
1	22001619	TUBE, AIR
2	22001664	TIMER KNOB INSERT/CAP (WHT)
3	22002390	PANEL, CONTROL (WHT) (S/P)
4	22001663	KNOB, SELECTOR SWITCH (WHT) (S/P)
5	211605	RETAINER, TIMER KNOB
6	22001662	SCREW (S/P)
7	22001661	SCREW, TIMER (S/P)
8	22002204	HARNESS, WIRE (S/P)
9	22002183	TIMER
10	22001660	DIAL SKIRT – WHITE
12	211065	SPRING, TIMER KNOB (S/P)
13	22001656	5 LEVEL ROTARY PRESSURE SWITCH
14	22001655	SWITCH, WATER TEMP. (3 POS.) (S/P)
15	16000327	DESCONTINUADO

Distribuidor Autorizado

SurteRápido.com

Venta de Refacciones
Electrodomesticas

LAT9206BAE CUBIERTA

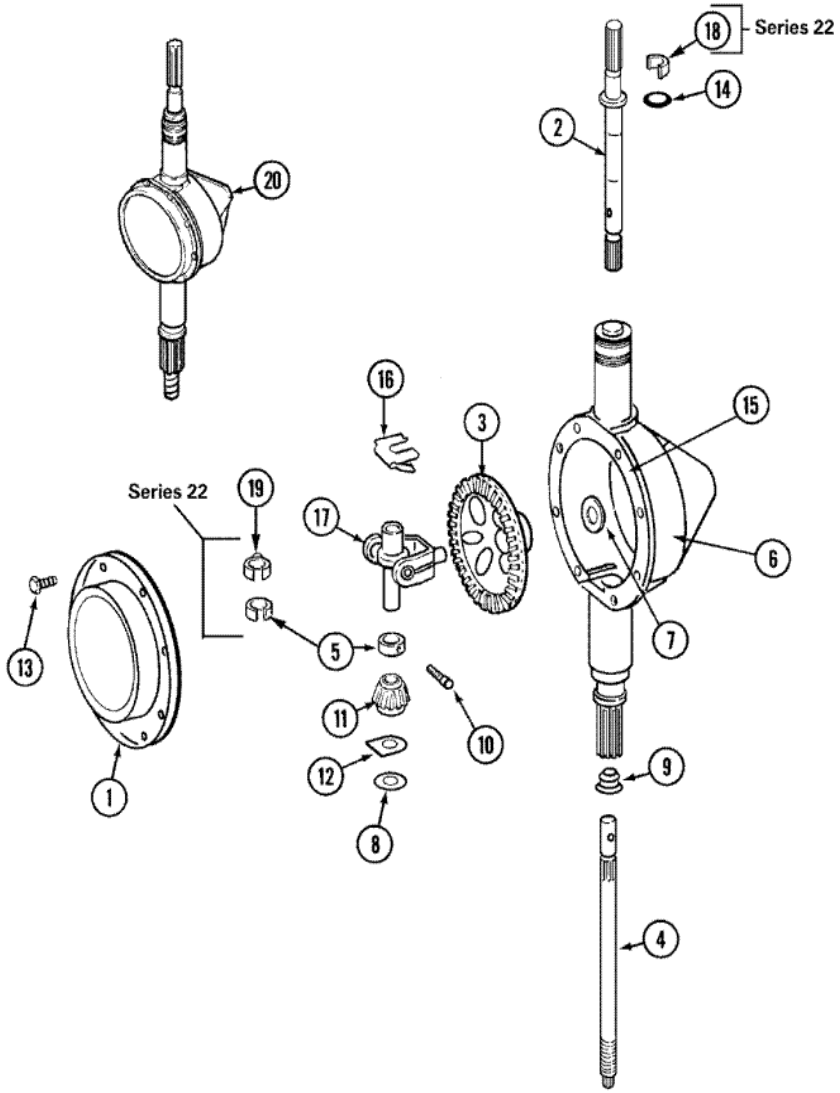




LAT9206BAE CUBIERTA

1	211726	HINGE, BALL (S/P)
2	207159	SCREW (S/P)
2	22001298	CAP, TOP COVER
3	12001908	SWITCH, LID
4	22002135	BRACKET, UNBALANCE (S/P)
5	22002137	COVER ASSY., TOP (WHT-PR) (S/P)
6	22001670	CONSOLE (WHT) (S/P)
7	213720	SPRING (S/P)
8	211881	GROMMET, CORD (S/P)
9	216423	SCREW (S/P)
9	22001662	SCREW (S/P)
9	22001814	BACK PANEL, CONSOLE (S/P)
10	22001969	UNBALANCE LEVER ASSEMBLY (S/P)
11	22001968	LEVER, UNBALANCE (S/P)
12	Y705026	SCREW (S/P)
12	22001654	WIRE, GROUND (S/P)
13	22001893	LID W/LEGEND (CANADA-WHT) (S/P)
13	22001674	LID W/LEGEND (WHT) (S/P)
14	212716	BUMPER, LID (S/P)
15	216423	SCREW (S/P)
16	216255	PLUNGER, UNBALANCE (S/P)
17	211500	WASHER, BRACKE TO TOP COVER (S/P)
18	216423	SCREW (S/P)
19	22003062	CORD, POWER (S/P)
20	22001402	SCREW (S/P)
21	22001600	SCREW (OVAL CTSK HD) (S/P)
22	Y705026	SCREW (S/P)

LAT9206BAE TRANSMISION

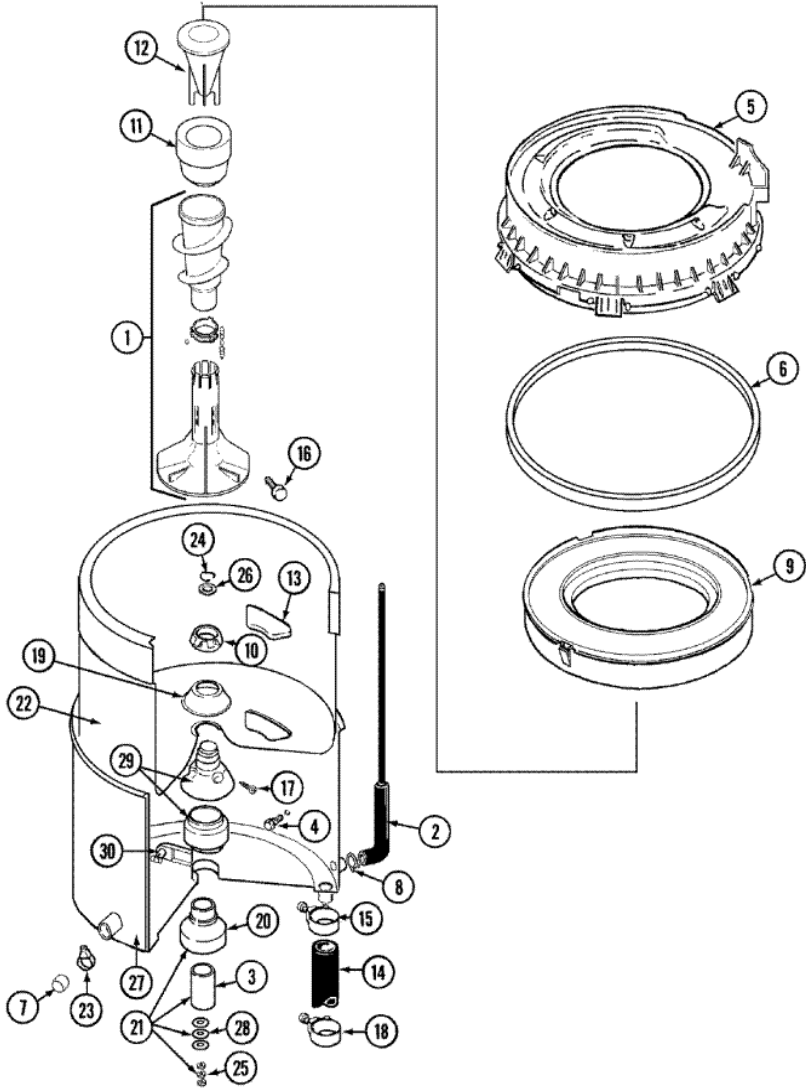




LAT9206BAE TRANSMISION

1	206628	COVER, TRANSMISSION (S/P)
2	22002415	SHAFT, AGITATOR
3	206713	GEAR, BEVEL
4	22002342	SHAFT, CENTER (DEEP TUB) (S/P)
4	12001450	CTR SHAFT W/COLLAR &KEEPER-DP (S/P)
5	22002353	COLLAR, CENTER SHAFT
6	22002416	ASSEMBLY, CASE CASTING DEEP (S/P)
7	215394	WASHER, BEVEL GEAR (S/P)
8	211483	WASHER, SPLINED
9	207843	SEAL, LIP (CENTER SHAFT)
10	215401	PINION
11	215401	PINION
12	215395	PLATE, CLUTCH
13	215417	SCREW, TRANSMISSION COVER (S/P)
14	22002417	O-RING AGITATOR SHAFT
14	210690	SEAL, RUBBER
15	Y058700	SILASTIC, ADH.SEALANT (S/P)
16	W10124350	NOT REQUIRED PART OR SEE NOTE (S/P)
16	215581	SPRING, AGITATOR SHAFT
17	206685	BLOCK, TORQUE AND YOKE ASSEMBL
18	22002340	COLLAR, AGITATOR SHAFT
19	22002341	COLLAR, LOWER PLASTIC KEEPER
20	22002126	TRANSMISSION, ORB.(DEEP TUB)

LAT9206BAE TINA





LAT9206BAE TINA

1	22003454	AGITATOR AUGER & BASE ASSY
2	22001619	TUBE, WATER LEVEL SWITCH
3	2-11130	LINER, TUB BEARING
4	200744	BOLT & GASKET ASSY.(SHORT) (S/P)
4	205254	BOLT & GASKET ASSEMBLY (LONG) (S/P)
5	22001299	TUB COVER & GASKET ASSEMBLY (S/P)
6	22001007	GASKET, TUB COVER (S/P)
7	214725	CAP FOR SPOUT-OUTER TUB (S/P)
8	211641	CLAMP, 1-1/16`` (S/P)
9	22001142	RING, BALANCE (W/CONCRETE) (S/P)
10	2-11047	NUT, CLAMPING (INNER TUB)
11	21001905	HOUSING, DISPENSER
12	21001905	CUP, FABRIC SOFTENER
13	207219	FILTER, SELF-CLEANING
14	213045	DRAIN HOSE-TUB TO PUMP
15	22001640	CLAMP, HOSE (S/P)
16	22001819	LOCKING SCREW & O RING (S/P)
17	22001423	SCREW, SET (TORX) (S/P)
18	22001640	CLAMP, HOSE (S/P)
19	211210	WASHER, CLAMPING NUT(STAINLESS) (S/P)
20	2-4013	BEARING, TUB
21	2-4013	TUB BEARING REPAIR KIT
22	22001139	TUB, INNER (EX. LARGE) (S/P)
23	214739	SPRING HOSE CLAMP (S/P)
24	Y015667	RETAINING RING (S/P)
25	Y054867	WASHER, LOCK (S/P)
26	Y015666	WASHER, RETAINING(CENTER SEAL) (S/P)
27	22001114	TUB, OUTER (EX. LARGE) (S/P)
28	211100	WASHER, CUSHION (S/P)
29	22204012	MOUNTING STEM AND SEAL KIT
30	214434	SPOUT, DEFLECTOR (S/P)