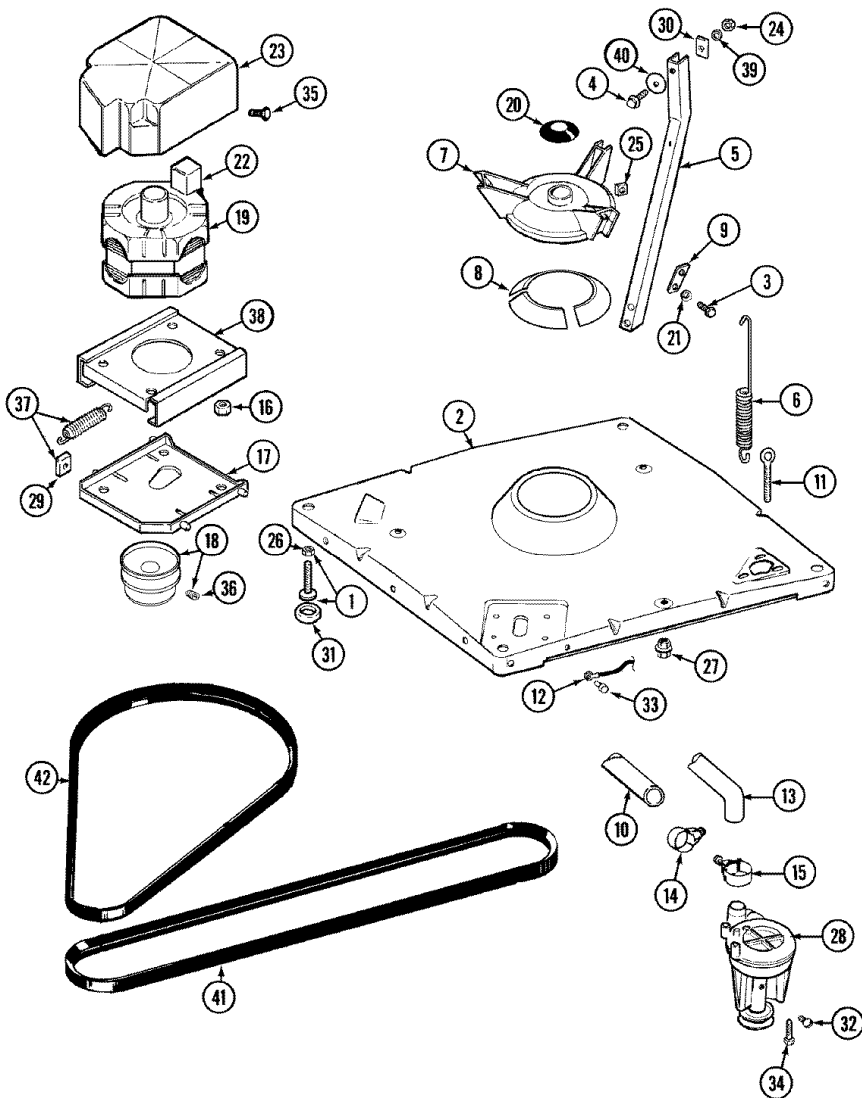


Distribuidor Autorizado

SurteRápido.com

Venta de Refacciones
Electrodomesticas

LAT9520AAE BASE





LAT9520AAE BASE

1	22003428	LEG, ADJUSTABLE (W/NUT)
2	22002150	BASE (W/DAMPER PADS)
3	Y015627	SCREW, HEX HD CAP 5/16 X 5/8 (S/P)
4	205254	BOLT & GASKET ASSEMBLY (LONG) (S/P)
4	200744	BOLT & GASKET ASSY.(SHORT) (S/P)
5	213053	BRACE, TUB (S/P)
6	22001300	SPRING, CENTERING
7	203725	DAMPER W/BOLT & CLIP (S/P)
8	203956	DAMPER PAD KIT (W/POLY LUBE)
9	213073	WASHER, DOUBLE (S/P)
10	22003410	HOSE, DRAIN (S/P)
11	216416	BOLT, EYE/CENTERING SPRING (S/P)
12	901220	WIRE, GROUND (S/P)
13	213045	DRAIN HOSE-TUB TO PUMP (S/P)
14	285655	CLAMP, HOSE (S/P)
15	285655	CLAMP, HOSE (S/P)
16	Y311426	NUT, WASHERED LOCK (S/P)
17	22001301	MOUNT, MOTOR LOWER-ASSEMBLY (S/P)
18	200816	PULLEY, MOTOR (W/SET SCREW) (S/P)
19	12002353	MOTOR - TWO SPEED 120-60
20	22001586	DEFLECTOR, WATER (S/P)
21	486009	WASHER, LOCK (BRACE) (S/P)
22	205131	SWITCH, MOTOR START (S/P)
22	206504	MOTOR EXTERNAL START SWITCH (S/P)
23	215098	SHIELD, MOTOR (S/P)
24	Y052734	NUT (S/P)
25	Y052785	NUT, BRACE TO DAMPER (S/P)
26	210385	NUT, LOCK (S/P)
27	211949	NUT, EYEBOLT (S/P)
28	2-2203	PUMP AS PAK
29	2-5000	GLIDE KIT (4 W/POLY LUBE)
30	212979	WASHER, TUB BRACE (S/P)
31	210684	FOOT, RUBBER

32	211880	SCREW, HEX HD No.10 X 1/2 INC (S/P)
33	Y705026	SCREW (S/P)
34	211880	SCREW, HEX HD No.10 X 1/2 INC (S/P)
35	213121	SCREW (S/P)
36	Y053241	SET SCREW, PULLEY (S/P)
37	2-5000	GLIDE & SPRING KIT
38	214956	MOUNT, MOTOR/UPPER (S/P)
39	Y054867	WASHER, LOCK (S/P)
40	211100	WASHER, CUSHION (S/P)
41	2-11124	V BELT, PUMP
42	2-11125	V BELT, DRIVE PULLEY

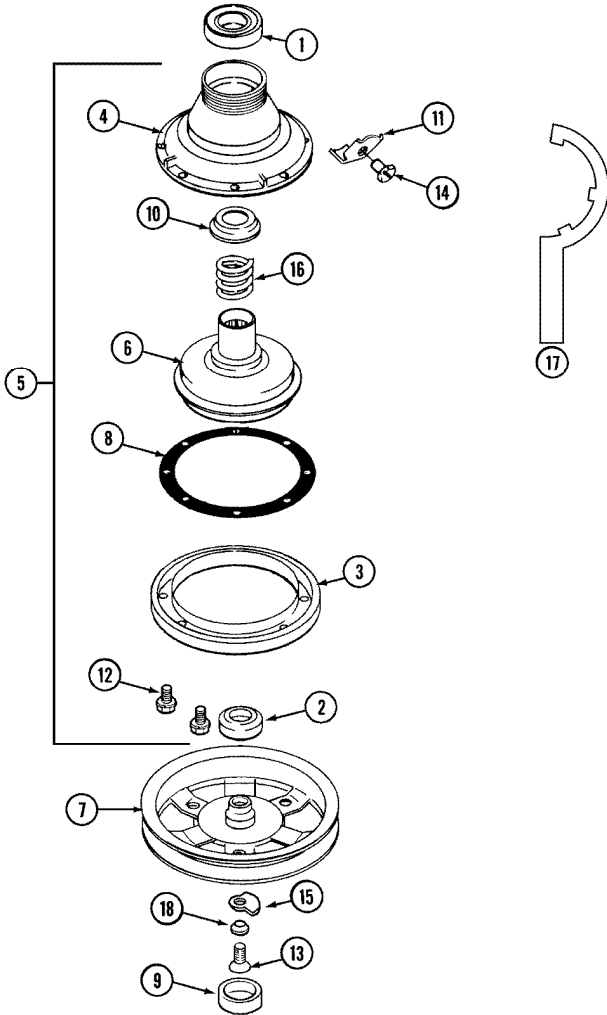


LAT9520AAE GABINETE

1	211878	PLATE, ACCESS (S/P)
1	211294	SCREW (S/P)
1	22002924	PLATE, COVER (W/HOLE) (S/P)
2	213846	GUARD, BELT (S/P)
3	22002361	BRACKET, VALVE (S/P)
4	22004425	CABINET (WHT) (S/P)
5	22001650	FASTENER, SPRING
6	Y013783	GASKET, INLET HOSE (S/P)
7	22002360	VALVE, WATER (S/P)
7	214337	SCREEN, VALVE (S/P)
8	22002765	CLIP, HOSE (S/P)
9	22003410	HOSE, DRAIN (S/P)
10	22001817	SHEET, SOUND DAMPER (FT. PNL) (S/P)
10	22002366	PANEL, FRONT (WHT) (S/P)
11	596669	CLAMP, HOSE-INJEC.HOSE TO VALVE (S/P)
12	202860	INLET HOSE ASSY. (S/P)
13	22002331	SPACER, FRONT PANEL (S/P)
14	12001413	SCREEN WASHER, INLET HOSE (S/P)
15	22002377	CLIP, RETAINER (LOWER) (S/P)
15	12001341	SCREW & FASTENER KIT (WHT) (S/P)
15	22002376	CLIP (S/P)
15	22001995	SCREW (S/P)
15	12001340	SCREW & FASTENER KIT (ALM) (S/P)
15	22002378	SCREW (S/P)
16	211294	SCREW (S/P)
17	22002372	SCREW (S/P)
18	213007	SCREW, CABINET (S/P)
19	213121	SCREW (S/P)
19	213122	SCREW, CBNT.TO FRNT OF BASE--NA (S/P)
20	Y313561	SCREW----NA (S/P)
21	22001187	INJECTOR (UPR) (S/P)
22	22001186	INJECTOR (LWR) (S/P)
23	22001304	INJECTOR ASSY., WATER (S/P)

24	22001190	HOSE, INJECTOR
25	596669	CLAMP, HOSE-INJEC.HOSE TO VALVE (S/P)
26	22001972	CLIP, CABINET (S/P)

LAT9520AAE FRENO





LAT9520AAE FRENO

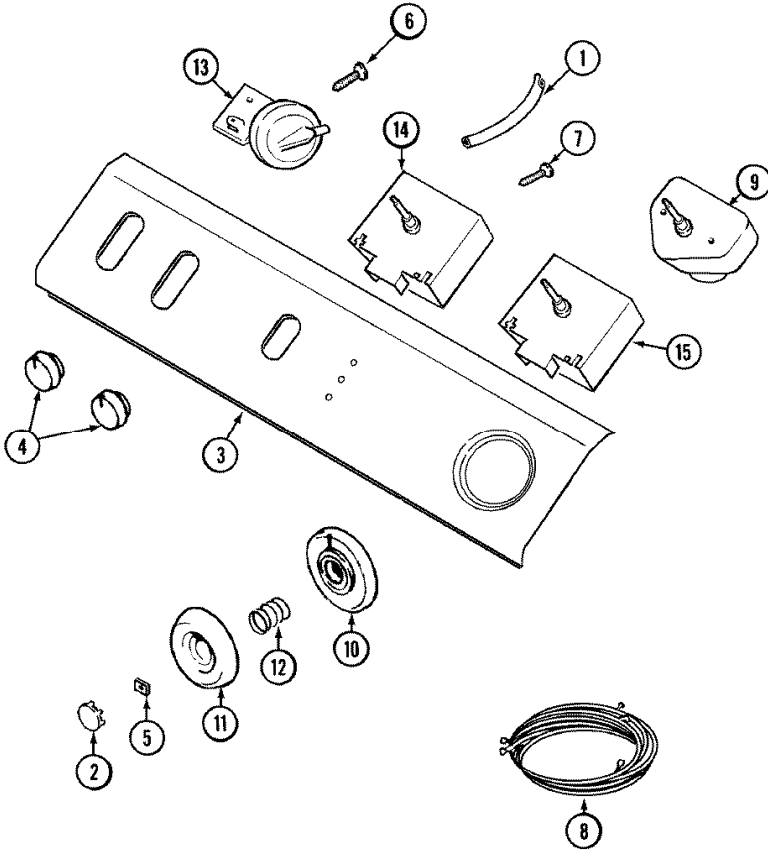
1	22003441	BALL BEARING, RADIAL
2	2-835	BEARING, BRAKE ROTOR
3	2-1190	DRUM, BRAKE
4	2-1190	HOUSING, BRAKE
5	2-1190	BRAKE ASSEMBLY
6	2-1190	ROTOR, BRAKE (W/FACING)
7	22002431	PULLEY ASSEMBLY (S/P)
8	2-1190	GASKET, BRAKE DRUM
9	22002428	COVER, DUST (PLASTIC) (S/P)
10	2-1190	RETAINER, BRAKE SPRING
11	213325	CLIP, RETAINER (S/P)
12	211000	SCREW, HEX HEAD (BRAKE DRUM) (S/P)
13	211375	SCREW, STOP LUG(CENTER SHAFT) (S/P)
14	213326	SCREW, RETAINING CLIP (S/P)
15	211089	LUG, STOP
16	2-1190	SPRING, BRAKE
17	Y038315	TOOL, BRAKE PKG ASSY DESCONTINUADO
18	22003555	WASHER, LOCK (S/P)

Distribuidor Autorizado

SurteRápido.com

Venta de Refacciones
Electrodomesticas

LAT9520AAE TABLERO

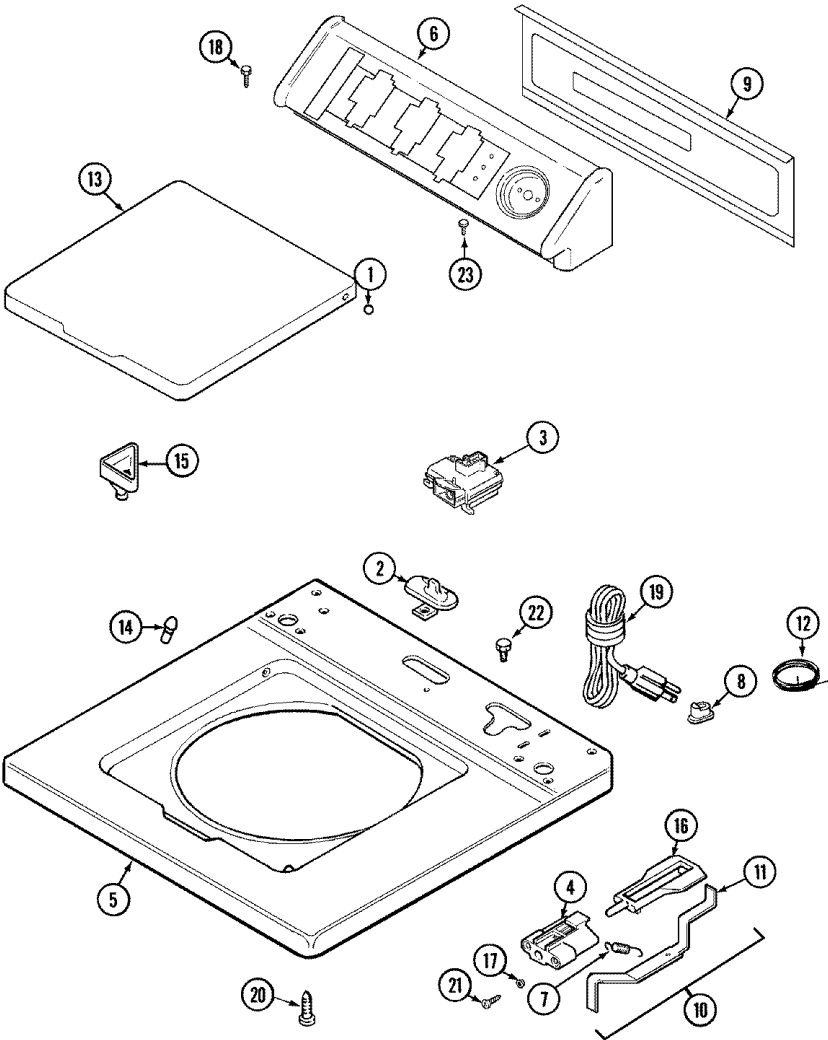




LAT9520AAE TABLERO

1	22001619	TUBE, WATER LEVEL SWITCH
2	22001664	TIMER KNOB INSERT/CAP (WHT)
3	22003022	PANEL, CONTROL (WHT) (S/P)
4	22001663	KNOB, SELECTOR SWITCH (WHT) (S/P)
5	211605	RETAINER, TIMER KNOB
6	22001662	SCREW (S/P)
7	22001661	SCREW, TIMER (S/P)
8	22002412	WIRE HARNESS, MAIN (S/P)
9	22003363	TIMER (S/P)
10	22001660	DIAL SKIRT – WHITE
11	22001659	TIMER KNOB – GREY
12	2-11065	SPRING, TIMER KNOB (S/P)
13	22001656	5 LEVEL ROTARY PRESSURE SWITCH (S/P)
14	22001825	TEMPERATURE SWITCH - ROTARY (S/P)
15	22001794	SWITCH, ROTARY (2 POS) (S/P)
16	22003420	MANUAL, USE & CARE (S/P)
16	22003421	MANUAL, USE & CARE (FRC) (S/P)

LAT9520AAE CUBIERTA

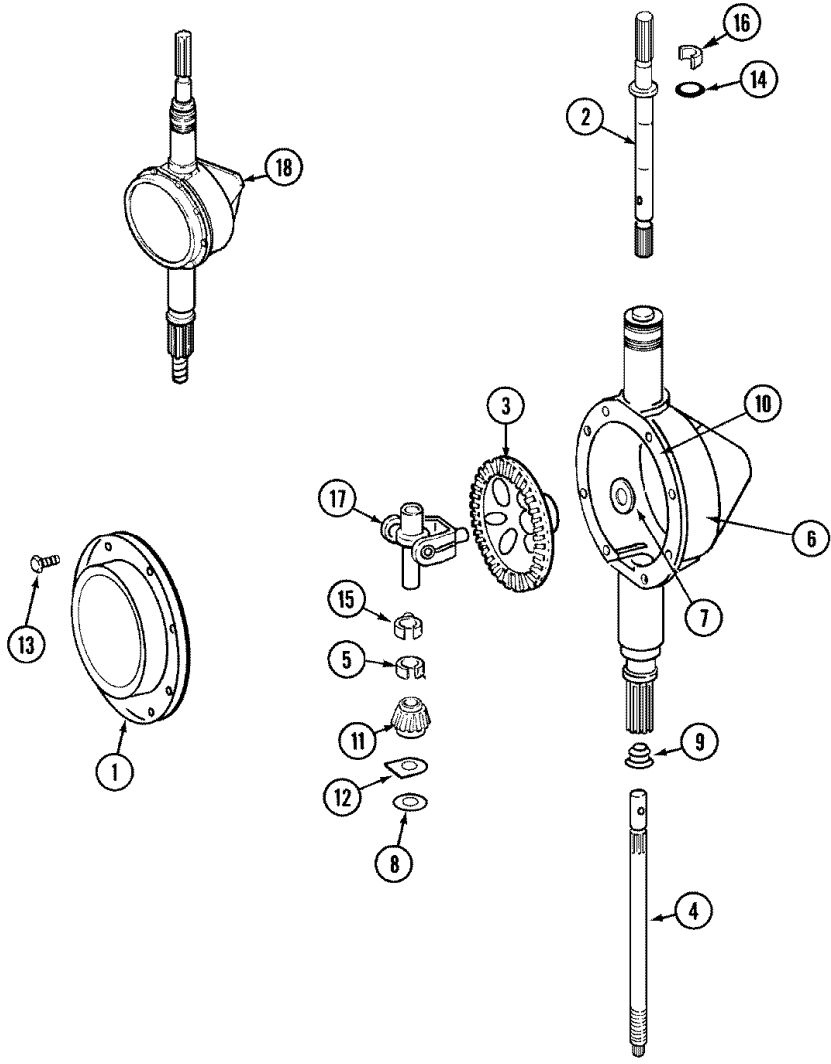




LAT9520AAE CUBIERTA

1	2-11726	HINGE, BALL (S/P)
2	22001298	CAP, TOP COVER
2	207159	SCREW (S/P)
3	12001908	SWITCH, LID
4	22002135	BRACKET, UNBALANCE (S/P)
5	22002145	COVER, TOP (WHT-BLEACH) DESCONTINUADO
6	22001670	CONSOLE (WHT) (S/P)
7	213720	SPRING (S/P)
8	2-11881	GROMMET, CORD
9	216423	SCREW (S/P)
9	22001814	BACK PANEL, CONSOLE (S/P)
9	22001662	SCREW (S/P)
10	22001969	UNBALANCE LEVER ASSEMBLY (S/P)
11	22001968	LEVER, UNBALANCE (S/P)
12	22001654	WIRE, GROUND (S/P)
12	Y705026	SCREW (S/P)
13	22001674	LID W/LEGEND (WHT) (S/P)
14	212716	BUMPER, LID (S/P)
15	22001006	CUP, BLEACH (WHT) (S/P)
16	216255	PLUNGER, UNBALANCE
17	211500	WASHER, BRACKE TO TOP COVER (S/P)
18	216423	SCREW (S/P)
19	22003062	CORD, POWER (AS WRAP) (S/P)
20	22001402	SCREW (S/P)
21	22001600	SCREW (OVAL CTSK HD) (S/P)
22	Y705026	SCREW (S/P)
23	216423	SCREW (S/P)

LAT9520AAE TRANSMISION

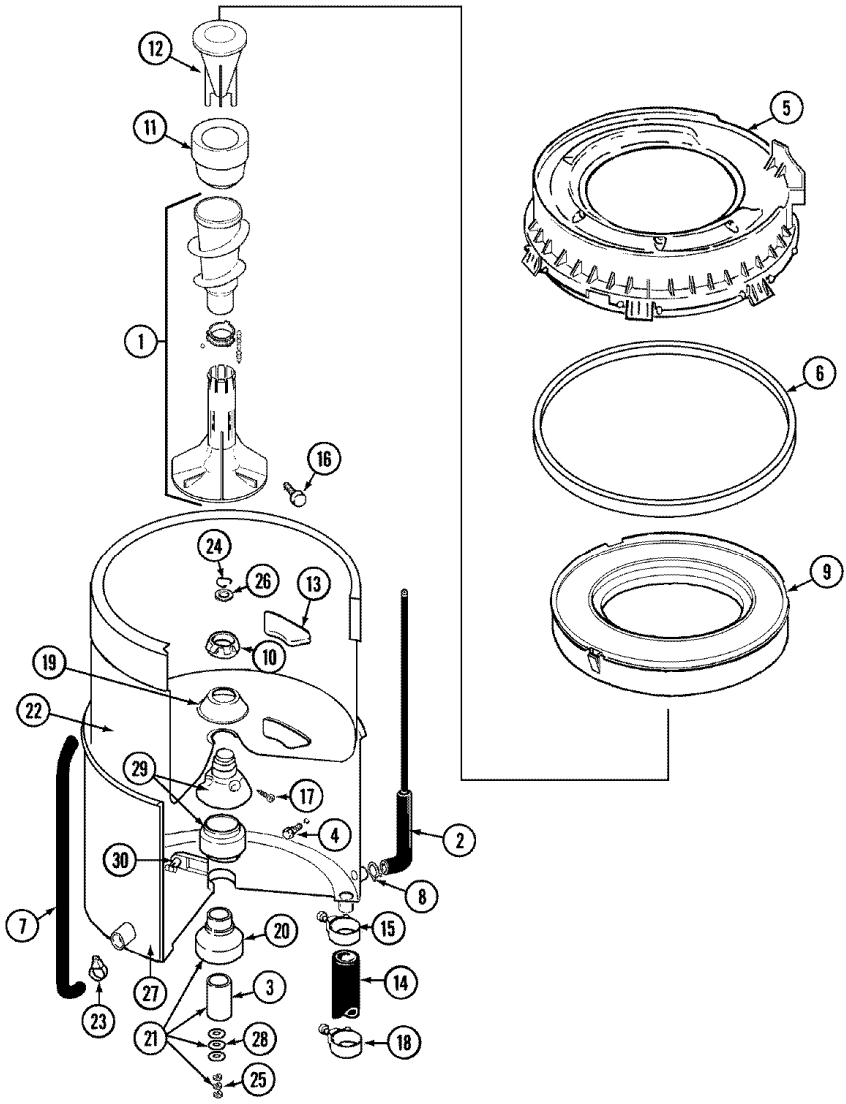




LAT9520AAE TRANSMISION

1	206628	COVER, TRANSMISSION (S/P)
2	22002415	SHAFT, AGITATOR
3	206713	GEAR, BEVEL
4	12001450	CTR SHAFT W/COLLAR &KEEPER-DP (S/P)
5	22002353	COLLAR, CENTER SHAFT (S/P)
6	22002416	ASSEMBLY, CASE CASTING DEEP (S/P)
7	215394	WASHER, BEVEL GEAR (S/P)
8	211483	WASHER, SPLINED (S/P)
9	207843	SEAL, LIP (CENTER SHAFT)
10	Y058700	SILASTIC, ADH.SEALANT (S/P)
11	215401	PINION
12	215395	PLATE, CLUTCH
13	215417	SCREW, TRANSMISSION COVER (S/P)
14	22002417	O-RING AGITATOR SHAFT
15	22002341	COLLAR, LOWER PLASTIC KEEPER (S/P)
16	22002340	COLLAR, AGITATOR SHAFT
17	206685	BLOCK, TORQUE AND YOKE ASSEMBL
18	22002126	TRANS (DEEP TUB, COMPLETE) (S/P)

LAT9520AAE TINAS





LAT9520AAE TINAS

1	22003454	AGITATOR AUGER & BASE ASSY.
2	22001619	TUBE, WATER LEVEL SWITCH
3	2-11130	LINER, TUB BEARING (S/P)
4	200744	BOLT & GASKET ASSY.(SHORT) (S/P)
4	205254	BOLT & GASKET ASSEMBLY (LONG) (S/P)
5	22001299	TUB COVER & GASKET ASSEMBLY (S/P)
6	22001007	GASKET, TUB COVER (S/P)
7	22001320	TUBE, BLEACH (S/P)
8	211641	CLAMP, 1-1/16`` (S/P)
9	22001142	RING, BALANCE (W/CONCRETE) (S/P)
10	2-11047	NUT, CLAMPING (INNER TUB)
11	21001905	HOUSING, DISPENSER
12	21001905	CUP, FABRIC SOFTENER
13	207219	FILTER, SELF-CLEANING
14	213045	DRAIN HOSE-TUB TO PUMP (S/P)
15	285655	CLAMP, HOSE (S/P)
16	22001819	LOCKING SCREW & O RING (S/P)
17	22001423	SCREW, SET (TORX) (S/P)
18	285655	CLAMP, HOSE (S/P)
19	211210	WASHER, CLAMPING NUT(STAINLESS) (S/P)
20	200824	BEARING, TUB (S/P)
21	204013	TUB BEARING REPAIR KIT (S/P)
22	22001139	TUB, INNER (EX. LARGE) (S/P)
23	596669	CLAMP, BLEACH HOSE (TUB) (S/P)
24	Y015667	RETAINING RING (S/P)
25	Y054867	WASHER, LOCK (S/P)
26	Y015666	WASHER, RETAINING(CENTER SEAL) (S/P)
27	22001114	TUB, OUTER (EX. LARGE) DESCONTINUADO
28	211100	WASHER, CUSHION (S/P)
29	22204012	MOUNTING STEM AND SEAL KIT
30	214434	SPOUT, DEFLECTOR (S/P)