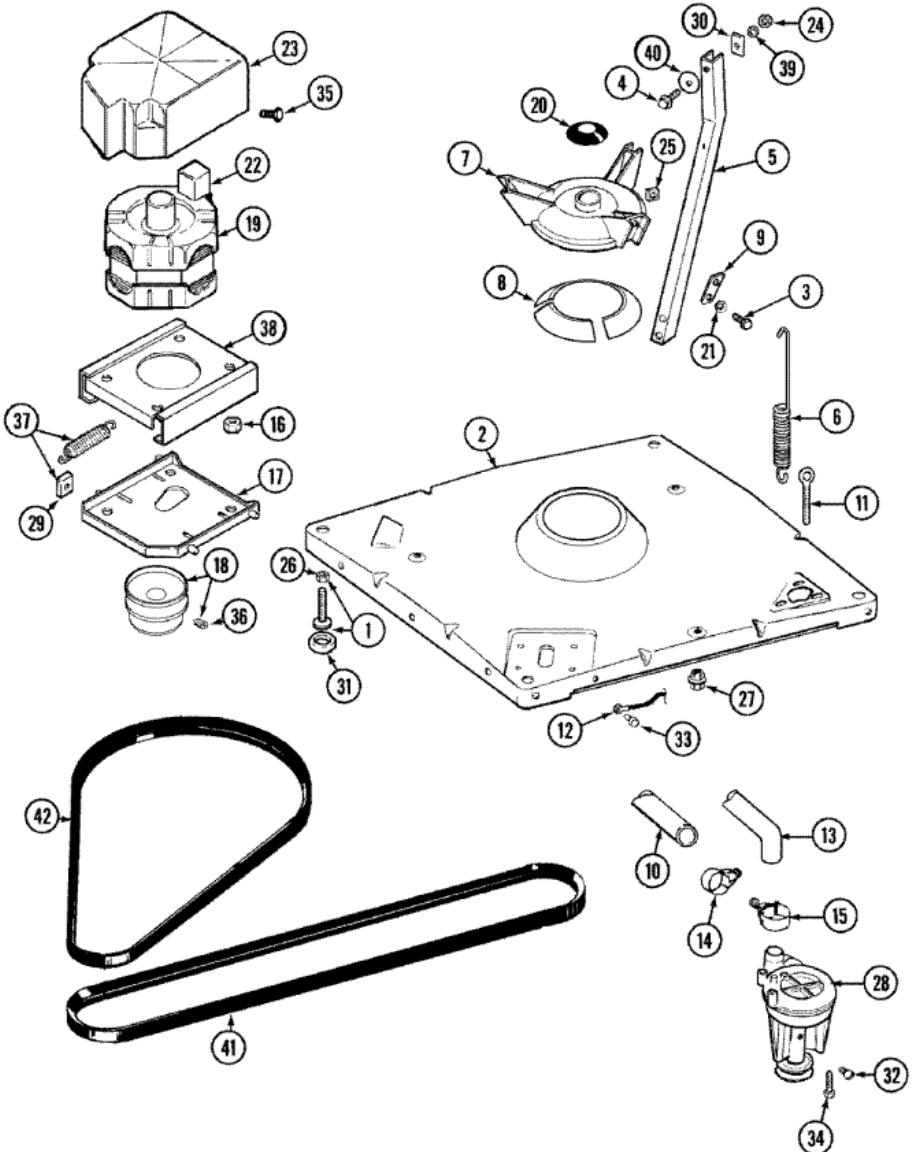


Distribuidor Autorizado

SurteRápido.com

Venta de Refacciones  
Electrodomesticas

# LAT9704AAE BASE





## LAT9704AAE BASE

1	22003428	LEG, ADJUSTABLE (W/NUT)
2	22002150	BASE (W/DAMPER PADS)
3	Y015627	SCREW, HEX HD CAP 5/16 X 5/8 (S/P)
4	200744	BOLT & GASKET ASSY.(SHORT) (S/P)
4	205254	BOLT & GASKET ASSEMBLY (LONG) (S/P)
5	213053	BRACE, TUB
6	22001300	SPRING, CENTERING
7	203725	DAMPER W/BOLT & CLIP
8	203956	DAMPER PAD KIT (W/POLY LUBE)
9	213073	WASHER, DOUBLE (S/P)
10	22001448	HOSE, PUMP TO SIPHON BREAK
11	216416	BOLT, EYE/CENTERING SPRING (S/P)
12	901220	WIRE, GROUND (S/P)
13	213045	DRAIN HOSE-TUB TO PUMP
14	3367052	CLAMP, HOSE (S/P)
15	3367052	CLAMP, HOSE (S/P)
16	Y311426	NUT, WASHERED LOCK (S/P)
17	22001301	MOUNT, MOTOR LOWER-ASSEMBLY (S/P)
18	2-816	PULLEY, MOTOR (W/SET SCREW)
19	12002353	MOTOR - TWO SPEED 120-60
20	22001586	DEFLECTOR, WATER (DRIVE TUBE) (S/P)
21	486009	WASHER, LOCK (BRACE) (S/P)
22	205131	SWITCH, MOTOR START (S/P)
22	206504	MOTOR EXTERNAL START SWITCH (S/P)
23	215098	SHIELD, MOTOR
24	Y052734	NUT (S/P)
25	Y052785	NUT, BRACE TO DAMPER (S/P)
26	210385	NUT, LOCK (S/P)
27	211949	NUT, EYEBOLT (S/P)
28	2-2203	PUMP AS PAK
29	2-5000	GLIDE KIT (4 W/POLY LUBE)
30	212979	WASHER, TUB BRACE (S/P)
31	210684	FOOT, RUBBER

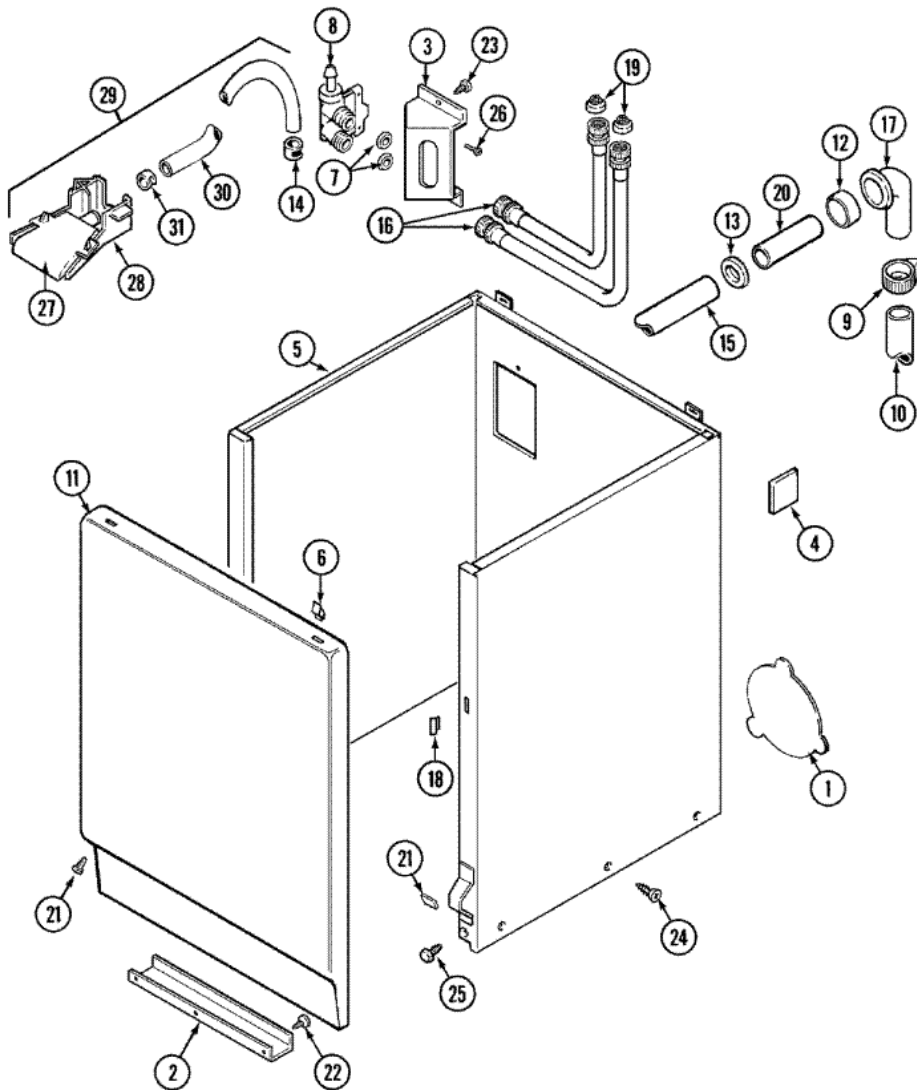
32	22003235	SCREW, BEARING INSERT (S/P)
33	912365	SCREW (S/P)
34	211880	SCREW, HEX HD No.10 X 1/2 INC (S/P)
35	213121	SCREW (S/P)
36	Y053241	SET SCREW, PULLEY (S/P)
37	2-5000	GLIDE & SPRING KIT
38	214956	MOUNT, MOTOR/UPPER (S/P)
39	Y054867	WASHER, LOCK (S/P)
40	211100	WASHER, CUSHION (S/P)
41	2-11124	V BELT, PUMP
42	2-11125	V BELT, DRIVE PULLEY

Distribuidor Autorizado

**SurteRápido.com**

Venta de Refacciones  
Electrodomesticas

## LAT9704AAE GABINETE



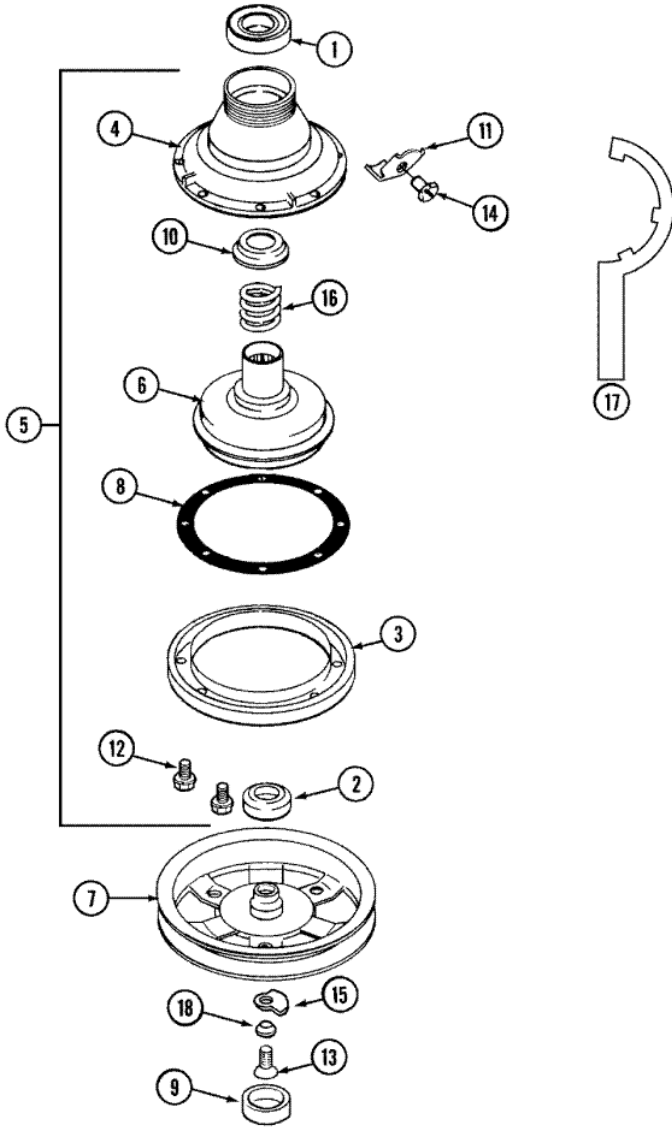


## LAT9704AAE GABINETE

1	211294	SCREW (S/P)
1	211878	PLATE, ACCESS (S/P)
2	213846	GUARD, BELT (S/P)
3	22002361	BRACKET, WATER VALVE (S/P)
4	215058	PAD, CABINET BUMPER (S/P)
5	22004425	CABINET (WHT) (S/P)
6	22001650	FASTENER, PANEL
7	Y013783	GASKET, INLET HOSE (S/P)
8	22001274	VALVE, WATER
8	214337	SCREEN, VALVE (S/P)
9	285655	HOSE CLAMP - 1-1/2 INCH (S/P)
10	Y059149	(7/8`` I.D. CARTON OF 50 FT.) (S/P)
10	216017	HOSE, DRAIN (7/8`` I.D.) (S/P)
11	22001144	DAMPER, SOUND (S/P)
11	216078	PANEL, FRONT (WHT) (S/P)
11	22001143	DAMPER, SOUND (S/P)
12	214765	GASKET, SIPHON BREAK
13	3367052	CLAMP, HOSE (S/P)
14	596669	CLAMP, HOSE-INJEC.HOSE TO VALVE (S/P)
15	22001448	HOSE, PUMP TO SIPHON BREAK
16	202860	INLET HOSE ASSY. (S/P)
17	Y216016	ELBOW, SIPHON BREAK (S/P)
18	22002331	SPACER, FRONT PANEL (S/P)
19	12001413	SCREEN WASHER, INLET HOSE (S/P)
20	Y014874	SCREW (S/P)
20	206638	SIPHON BREAK(W/CLAMP) (S/P)
21	204439	SCREW & FSTNER ASSY(FRT.PANEL)
22	211294	SCREW (S/P)
23	212276	SCREW (S/P)
24	213007	SCREW, CABINET (S/P)
25	213121	SCREW (S/P)
25	213122	SCREW, CBNT.TO FRNT OF BASE--NA (S/P)
26	Y313561	SCREW----NA (S/P)

27	22001187	INJECTOR (UPR)
28	22001186	INJECTOR (LWR)
29	22001304	INJECTOR ASSY., WATER <b>(S/P)</b>
30	22001190	HOSE, INJECTOR
31	489503	CLAMP, HOSE <b>(S/P)</b>

**LAT9704AAE CLUTCH**





## LAT9704AAE CLUTCH

1	22003441	BALL BEARING, RADIAL
2	2-835	BEARING, BRAKE ROTOR
3	2-1190	DRUM, BRAKE
4	2-1190	HOUSING, BRAKE
5	2-1190	BRAKE ASSEMBLY
6	2-1190	ROTOR, BRAKE (W/FACING)
7	22002429	PULLEY, DRIVE
8	2-1190	GASKET, BRAKE DRUM
9	211038	CAP, OIL RETAINER <b>DESCONTINUADO</b>
10	2-1190	RETAINER, BRAKE SPRING
11	213325	CLIP, RETAINER
12	211000	SCREW, HEX HEAD (BRAKE DRUM) <b>(S/P)</b>
13	211375	SCREW, STOP LUG(CENTER SHAFT) <b>(S/P)</b>
14	213326	SCREW, RETAINING CLIP <b>(S/P)</b>
15	211089	LUG, STOP
16	2-1190	SPRING, BRAKE
17	Y038315	TOOL, BRAKE PKG ASSY <b>DESCONTINUADO</b>
18	22003555	WASHER, LOCK

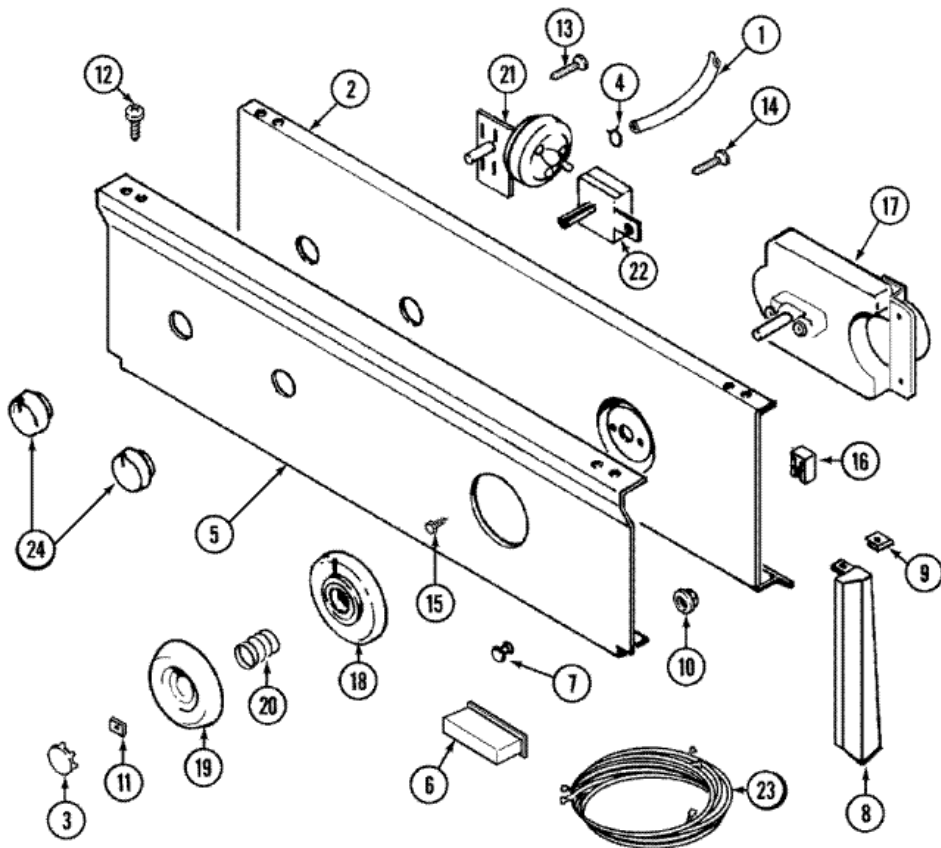


Distribuidor Autorizado

SurteRápido.com

Venta de Refacciones  
Electrodomesticas

# LAT9704AAE TABLERO





## LAT9704AAE TABLERO

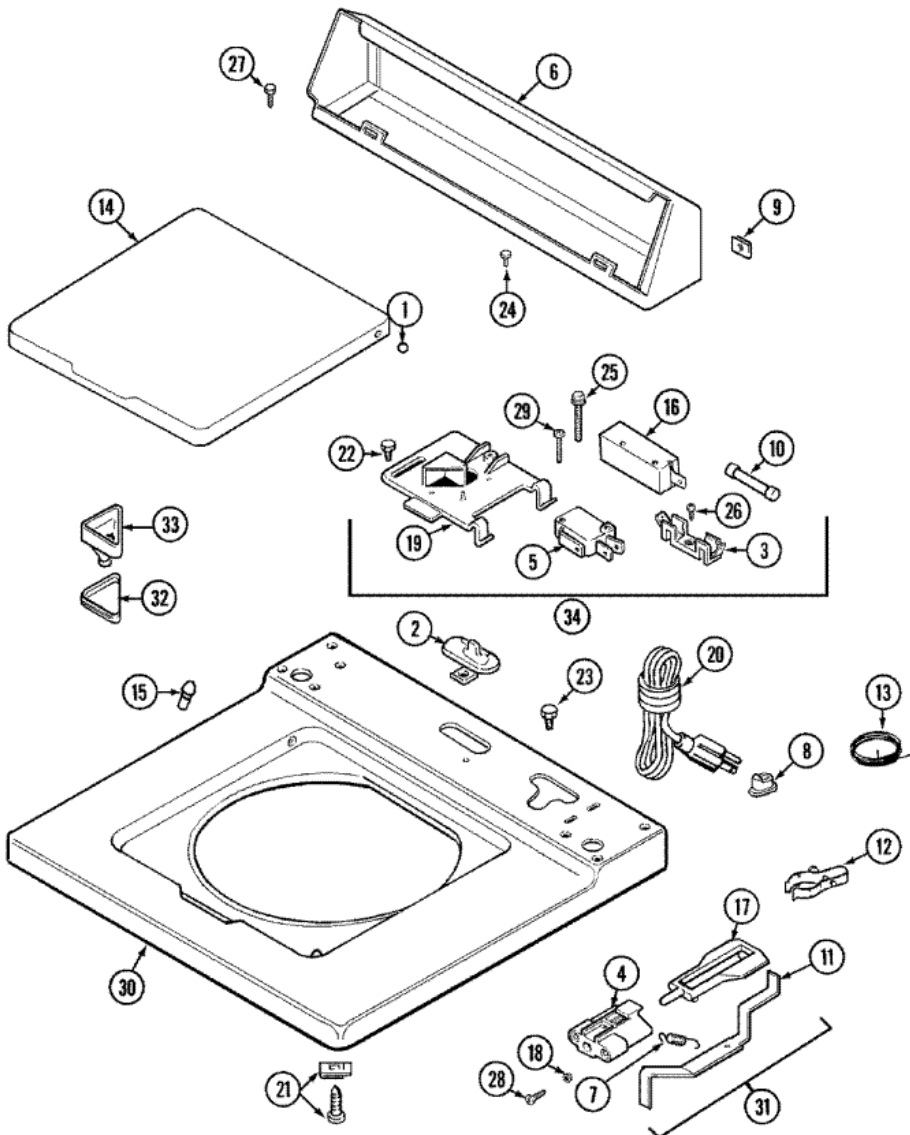
1	22001619	TUBE, WATER LEVEL SWITCH
2	22001132	PLATE, SUPPORT (ROTARY SWITCH) (S/P)
2	204807	GRND.WIRE, SUPP.PLTE TO TOP CVR (S/P)
2	315483	SCREW (S/P)
3	22001446	CAP, TIMER KNOB (WHT)
4	596669	CLAMP, WATER LEVEL SWTCH TUBE (S/P)
5	22001224	PANEL, CONTROL (WHT) (S/P)
6	214897	PAD, CONTROL PANEL (S/P)
7	22001215	LENS, INDICATOR LIGHT (S/P)
8	22001289	END CAP, CTRL. PNL. (LT-WHT) (S/P)
8	22001565	CAP, END (LT-WHT) (S/P)
8	22001564	CAP, END (RT-WHT) (S/P)
8	22001291	END CAP, CTRL. PNL. (RT-WHT) (S/P)
9	214894	FASTENER, END CAP (S/P)
10	214872	PALNUT, END CAP (S/P)
11	211605	RETAINER, TIMER KNOB
12	210932	SCREW, No.8 X 9/16 CTSK (S/P)
13	211168	SCREW, No.8 X 5/16 INCH (S/P)
14	211168	SCREW, No.8 X 5/16 INCH (S/P)
15	216412	SCREW
16	903115	LOCK LIGHT (S/P)
17	22001252	TIMER RPR
18	22001265	BEZEL, TIMER KNOB (WHT)
19	22001198	KNOB, TIMER (WHT) <b>DESCONTINUADO</b>
20	211065	SPRING, TIMER KNOB (S/P)
21	208207	SWITCH, PRESSURE (S/P)
22	208281	SWITCH, TEMP (4POSITION) (S/P)
23	22001313	WIRE HARNESS, MAIN (S/P)
24	22001268	KNOB ASSY. (WHT) (S/P)

Distribuidor Autorizado

**SurteRápido.com**

Venta de Refacciones  
Electrodomesticas

# LAT9704AAE CUBIERTA

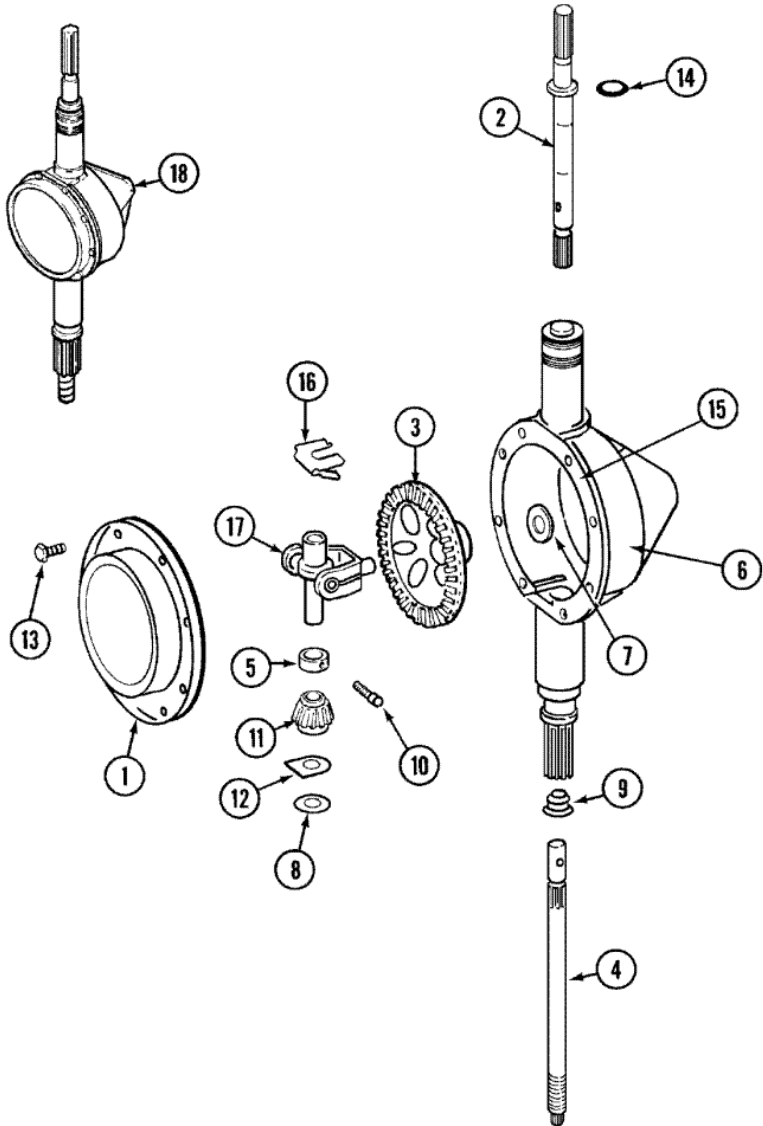




## LAT9704AAE CUBIERTA

1	211726	HINGE, BALL (S/P)
2	207159	SCREW (S/P)
2	22001298	CAP, TOP COVER
3	207167	BLOCK, FUSE
4	22002135	BRACKET, UNBALANCE (S/P)
5	207166	SWITCH, CHECK
6	205635	CONSOLE (WHT) (S/P)
7	213720	SPRING (S/P)
8	2-11881	GROMMET, CORD
9	215075	FASTENER, CNTRL PNL TO CONSOLE (S/P)
10	22001555	FUSE
11	22001136	LEVER, UNBALANCE (S/P)
12	301548	CLAMP, GROUND (W/SCREW) (S/P)
13	311155	GROUND WIRE (S/P)
14	22001206	LID W/LEGEND (WHT) (S/P)
15	212716	BUMPER, LID
16	205415	SWITCH, LID (W/O TUB LIGHT)
17	216255	PLUNGER, UNBALANCE (S/P)
18	211500	WASHER, BRACKE TO TOP COVER (S/P)
19	22001678	BRACKET, SWITCH & FUSE
20	22003062	CORD, POWER (S/P)
21	204445	SCREW & FASTENER ASY. (S/P)
22	207159	SCREW (S/P)
25	213501	SCREW, No.6-20 X 1-1/8 INCH (S/P)
26	Y311711	SCREW (S/P)
27	Y313559	SCREW (S/P)
28	910182	SCREW (S/P)
29	22001352	SCREW, CHECK SWITCH (S/P)
30	22001119	TOP, MAIN (WHT) (S/P)
31	22001311	LEVER ASSY. (UNBALANCE) (S/P)
32	215374	GASKET FOR BLEACH CUP (S/P)
33	22001006	CUP, BLEACH (WHT) (S/P)
34	22001682	LID SWITCH ASSY.

LAT9704AAE TRANSMISION





## LAT9704AAE TRANSMISION

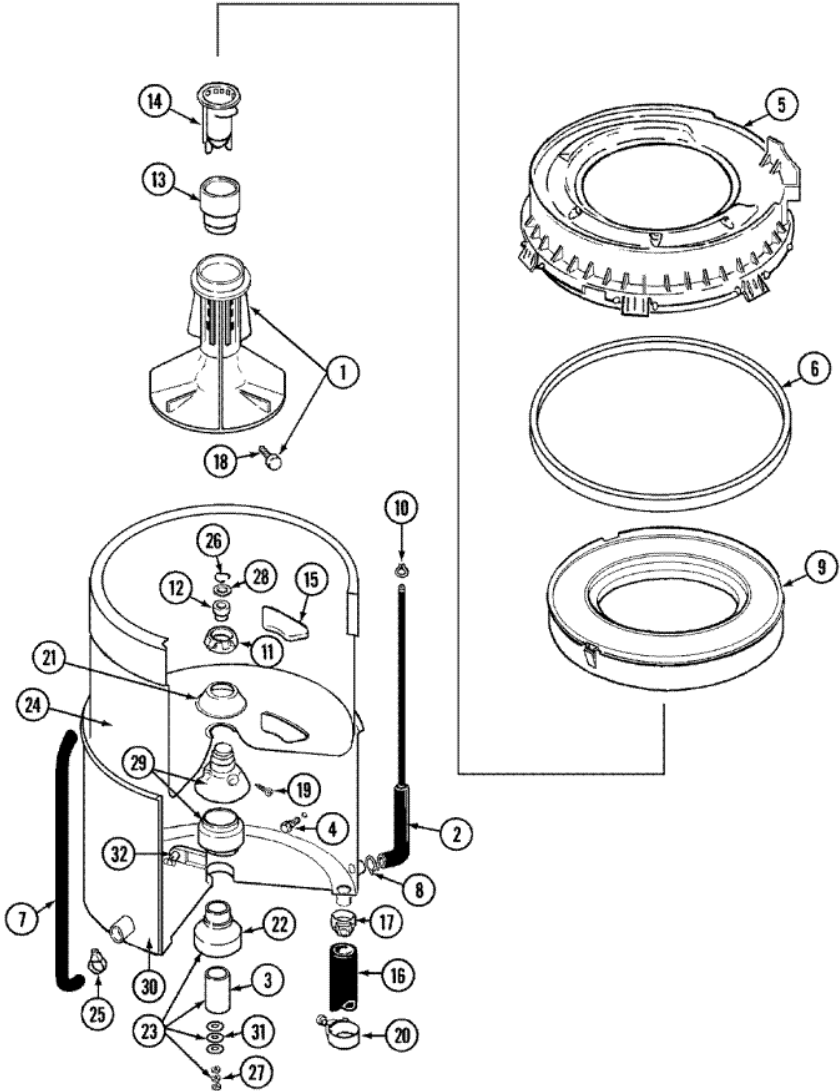
1	206628	COVER, TRANSMISSION (S/P)
2	22002132	SHAFT, AGITATOR (W/SPRING)
3	206713	GEAR, BEVEL
4	12001450	CENTER SHAFT - LARGER (S/P)
5	215415	COLLAR, LOWER <b>DESCONTINUADO</b>
6	22002126	HOUSING, TRANSMISSION
7	215394	WASHER, BEVEL GEAR (S/P)
8	211483	WASHER, SPLINED
9	207843	SEAL, LIP (CENTER SHAFT)
10	206629	PIN, COLLAR
11	215401	PINION
12	215395	PLATE, CLUTCH
13	215417	SCREW, TRANSMISSION COVER (S/P)
14	210690	SEAL, RUBBER
15	Y058700	SILASTIC, ADH.SEALANT (S/P)
16	215581	SPRING, AGITATOR SHAFT
17	206685	BLOCK, TORQUE AND YOKE ASSEMBL
18	22002126	TRANSMISSION, ORBITAL

Distribuidor Autorizado

SurteRápido.com

Venta de Refacciones  
Electrodomesticas

LAT9704AAE TINAS





## LAT9704AAE TINAS

1	207228	AGITATOR W/LOCK SCREW
2	22001619	TUBE, WATER LEVEL SWITCH
3	2-11130	LINER, TUB BEARING
4	200744	BOLT & GASKET ASSY.(SHORT) <b>(S/P)</b>
4	205254	BOLT & GASKET ASSEMBLY (LONG) <b>(S/P)</b>
5	22001299	TUB COVER & GASKET ASSEMBLY <b>(S/P)</b>
6	22001007	GASKET, TUB COVER
7	22001320	TUBE, BLEACH <b>(S/P)</b>
8	211641	CLAMP, 1-1/16`` <b>(S/P)</b>
9	22001142	RING, BALANCE (W/CONCRETE) <b>(S/P)</b>
10	596669	CLAMP, WATER LEVEL SWTCH TUBE <b>(S/P)</b>
11	211047	NUT, CLAMPING (INNER TUB) <b>(S/P)</b>
12	A4298	SEAL, AGITATOR DRIVE SHAFT
13	22001295	HOUSING, DISPENSER
14	22001294	CUP, DISPENSING
15	207219	FILTER, SELF-CLEANING
16	213045	DRAIN HOSE-TUB TO PUMP
17	285655	CLAMP, HOSE (TUB OUTLET) <b>(S/P)</b>
18	206478	SCREW & WASHER FOR AGITATOR
19	211618	SET SCREW, MTG. STEM <b>(S/P)</b>
20	3367052	CLAMP, HOSE <b>(S/P)</b>
21	211210	WASHER, CLAMPING NUT(STAINLESS) <b>(S/P)</b>
22	2-824	BEARING, TUB
23	2-4013	TUB BEARING REPAIR KIT
24	22001139	TUB, INNER (EX. LARGE) <b>(S/P)</b>
25	489503	CLAMP - 15/16`` <b>(S/P)</b>
26	Y015667	RETAINING RING <b>(S/P)</b>
27	Y054867	WASHER, LOCK <b>(S/P)</b>
28	Y015666	WASHER, RETAINING(CENTER SEAL) <b>(S/P)</b>
29	22204012	MOUNTING STEM REPAIR KIT
30	22001114	TUB, OUTER (EX. LARGE) <b>(S/P)</b>
32	214434	SPOUT, DEFLECTOR <b>(S/P)</b>