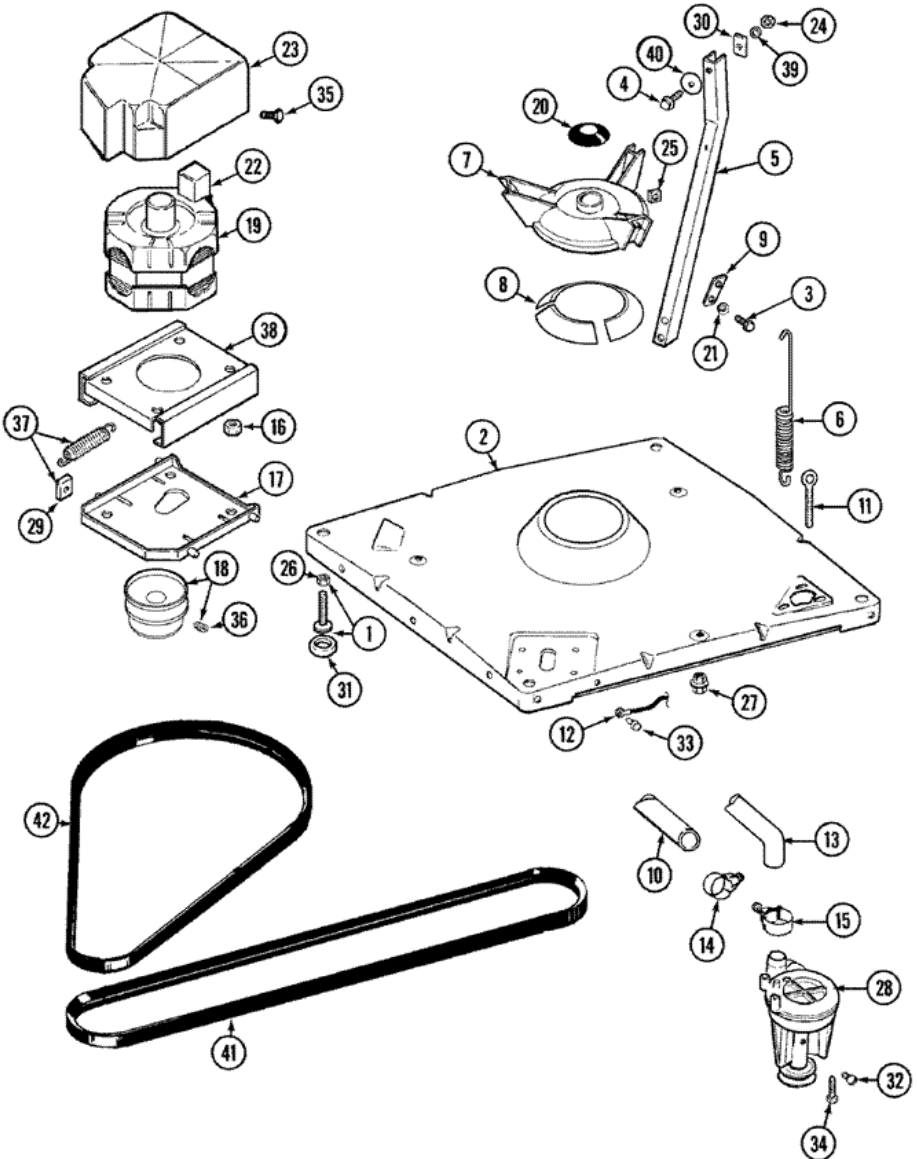


Distribuidor Autorizado

SurteRápido.com

Venta de Refacciones
Electrodomesticas

LAT9706AAM BASE





LAT9706AAM BASE

1	22003428	LEG, ADJUSTABLE (W/NUT)
2	22002150	BASE (W/DAMPER PADS)
3	Y015627	SCREW, HEX HD CAP 5/16 X 5/8 (S/P)
4	205254	BOLT & GASKET ASSEMBLY (LONG) (S/P)
4	200744	BOLT & GASKET ASSY.(SHORT) (S/P)
5	213053	BRACE, TUB (S/P)
6	22001300	SPRING, CENTERING
7	2-3725	DAMPER W/BOLT & CLIP (S/P)
8	203956	DAMPER PAD KIT (W/POLY LUBE)
9	213073	WASHER, DOUBLE (S/P)
10	22001816	HOSE, DRAIN (S/P)
11	216416	BOLT, EYE/CENTERING SPRING (S/P)
12	901220	WIRE, GROUND (S/P)
13	213045	DRAIN HOSE-TUB TO PUMP (S/P)
14	285655	CLAMP, HOSE (S/P)
15	285655	CLAMP, HOSE (S/P)
16	Y311426	NUT, WASHERED LOCK (S/P)
17	22001301	MOUNT, MOTOR LOWER-ASSEMBLY (S/P)
18	2-816	PULLEY, MOTOR (W/SET SCREW)
19	12002353	MOTOR - TWO SPEED 120-60
20	22001586	DEFLECTOR, WATER (S/P)
21	486009	WASHER, LOCK (BRACE) (S/P)
22	206504	MOTOR EXTERNAL START SWITCH (S/P)
22	205131	SWITCH, MOTOR START (S/P)
23	215098	SHIELD, MOTOR (S/P)
24	Y052734	NUT (S/P)
25	Y052785	NUT, BRACE TO DAMPER (S/P)
26	210385	NUT, LOCK (S/P)
27	211949	NUT, EYEBOLT (S/P)
28	2-2203	PUMP AS PAK
29	2-5000	GLIDE KIT (4 W/POLY LUBE)
30	212979	WASHER, TUB BRACE (S/P)
31	210684	FOOT, RUBBER

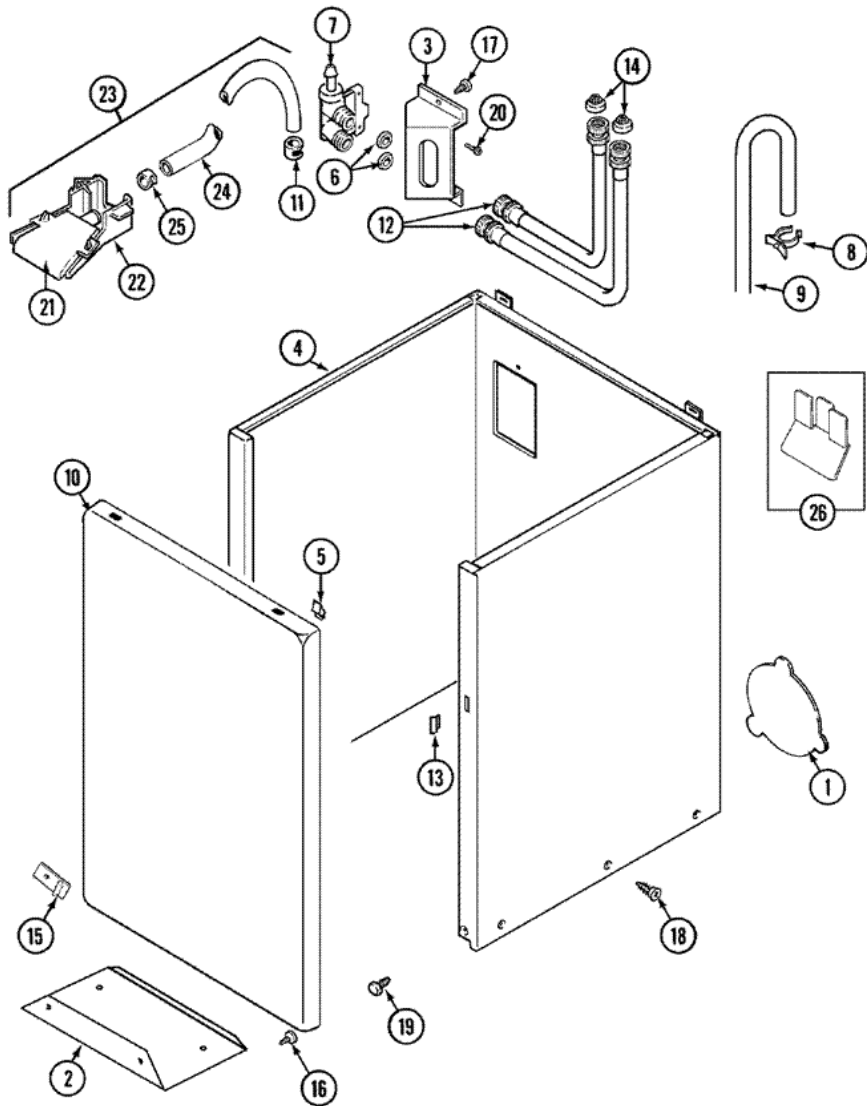
32	Y015408	SCREW, BEARING INSERT (S/P)
33	Y705026	SCREW (S/P)
34	211880	SCREW, HEX HD NO.10 X 1/2 INC (S/P)
35	213121	SCREW (S/P)
36	Y053241	SET SCREW, PULLEY (S/P)
37	2-5000	GLIDE & SPRING KIT
38	214956	MOUNT, MOTOR/UPPER (S/P)
39	Y054867	WASHER, LOCK (S/P)
40	211100	WASHER, CUSHION (S/P)
41	2-11124	V BELT, PUMP
42	2-11125	V BELT, DRIVE PULLEY

Distribuidor Autorizado

SurteRápido.com

Venta de Refacciones
Electrodomesticas

LAT9706AAM GABINETE



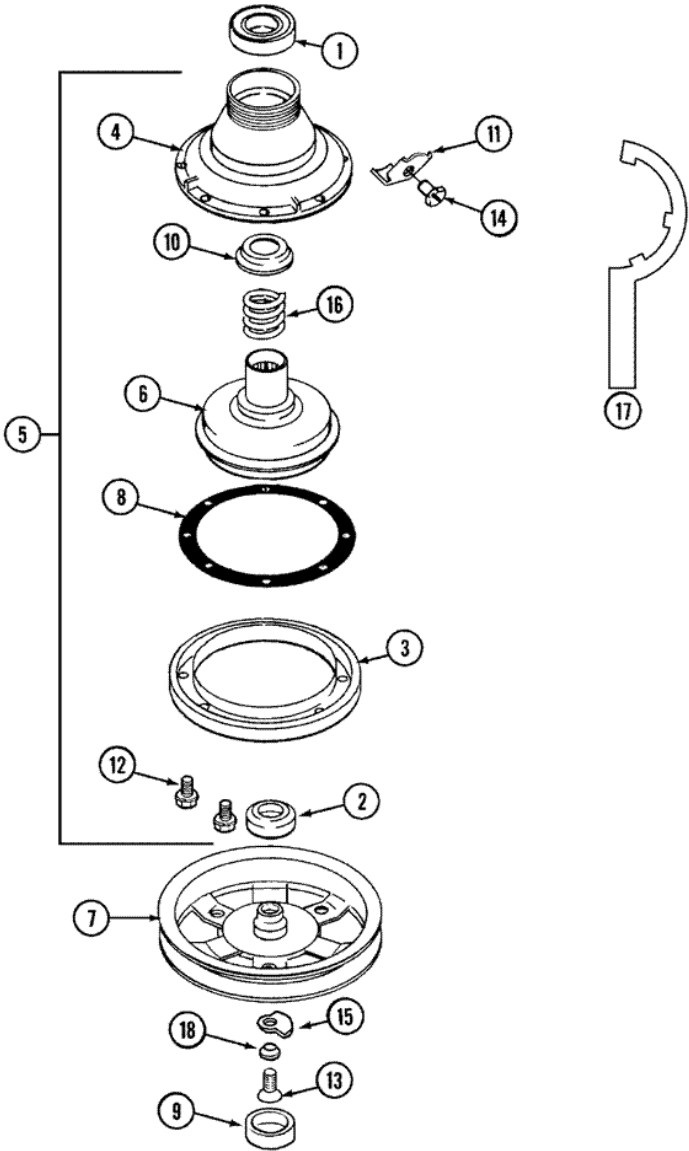


LAT9706AAM GABINETE

1	211878	PLATE, ACCESS (S/P)
1	22002924	PLATE, ACCESS (W/HOLE) (S/P)
2	213846	GUARD, BELT (S/P)
3	22003217	SCREW, BRACKET TO CABINET (S/P)
3	22002361	BRACKET, VALVE (S/P)
3	22002361	BRACKET, WATER VALVE (S/P)
4	22002380	CABINET (ALM) (S/P)
4	22001303	CABINET (ALM) (S/P)
4	22004424	CABINET ASSEMBLY (BSQ) (S/P)
5	22001650	FASTENER, SPRING
6	Y013783	GASKET, INLET HOSE (S/P)
7	2-5613	VALVE, WATER
7	214337	SCREEN, VALVE (S/P)
7	22001138	VALVE, WATER (3 COIL) (S/P)
8	22002765	CLIP, HOSE (S/P)
9	22001816	HOSE, DRAIN (S/P)
9	22003410	HOSE, DRAIN (S/P)
9	22003814	RETAINER, DRAIN HOSE (S/P)
10	22002658	PANEL, FRONT (ALM) DESCONTINUADO
10	22001144	DAMPER, SOUND (S/P)
10	22001143	DAMPER, SOUND (S/P)
10	22002653	PANEL, FRONT (ALM) (S/P)
11	216169	CLAMP, HOSE-INJEC.HOSE TO VALVE (S/P)
12	202860	INLET HOSE ASSY. (S/P)
13	22002331	SPACER, FRONT PANEL (S/P)
14	12001413	SCREEN WASHER, INLET HOSE (S/P)
15	22002378	SCREW (S/P)
15	22002377	CLIP, RETAINER (LOWER) (S/P)
15	22001995	SCREW (S/P)
15	12001340	SCREW & FASTENER KIT (ALM) (S/P)
15	22002376	CLIP (S/P)
16	211294	SCREW (S/P)
17	22002372	SCREW (S/P)

17	212276	SCREW (S/P)
18	213007	SCREW, CABINET (S/P)
19	213121	SCREW (S/P)
19	213122	SCREW, CBNT.TO FRNT OF BASE (S/P)
20	Y313561	SCREW (S/P)
21	22001187	INJECTOR (UPR)
22	22001186	INJECTOR (LWR)
23	22001304	INJECTOR ASSY., WATER (S/P)
24	22001190	HOSE, INJECTOR
25	596669	CLAMP, HOSE-INJEC.HOSE TO VALVE (S/P)
26	22001972	CLIP, CABINET (S/P)

LAT9706AAM CLUTCH





LAT9706AAM CLUTCH

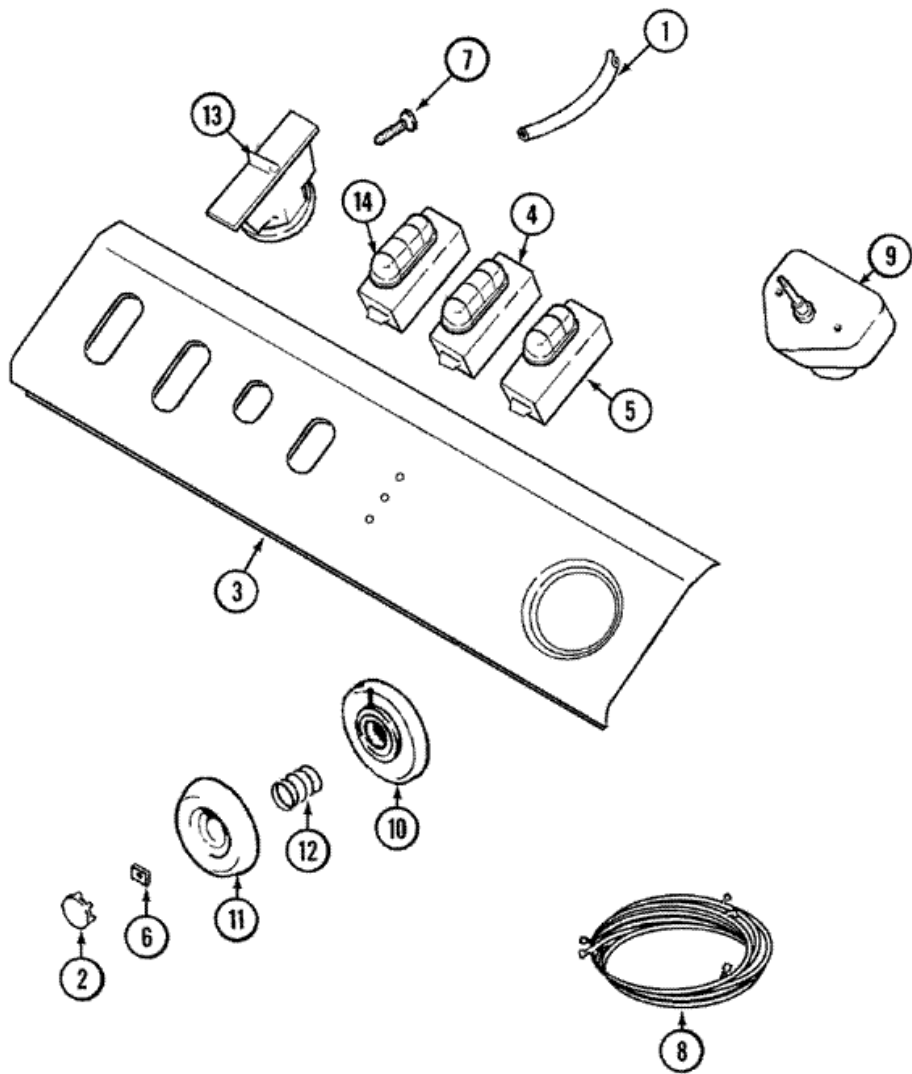
1	22003441	BALL BEARING, RADIAL
2	2-835	BEARING, BRAKE ROTOR
3	2-1190	DRUM, BRAKE
4	2-1190	HOUSING, BRAKE
5	2-1190	BRAKE ASSEMBLY
6	2-1190	ROTOR, BRAKE (W/FACING)
7	22002429	PULLEY, DRIVE (S/P)
7	22002431	PULLEY ASSEMBLY (S/P)
8	2-1190	GASKET, BRAKE DRUM
9	22002428	COVER, DUST (PLASTIC) (S/P)
9	211038	CAP, OIL RETAINER DESCONTINUADO
10	2-1190	RETAINER, BRAKE SPRING
11	213325	CLIP, RETAINER (S/P)
12	211000	SCREW, HEX HEAD (BRAKE DRUM) (S/P)
13	211375	SCREW, STOP LUG(CENTER SHAFT) (S/P)
14	213326	SCREW, RETAINING CLIP (S/P)
15	211089	LUG, STOP (S/P)
16	2-1190	SPRING, BRAKE
17	38315	TOOL, BRAKE PKG ASSY DESCONTINUADO
18	22003555	WASHER, LOCK (S/P)

Distribuidor Autorizado

SurteRápido.com

Venta de Refacciones
Electrodomesticas

LAT9706AAM TABLERO





LAT9706AAM TABLERO

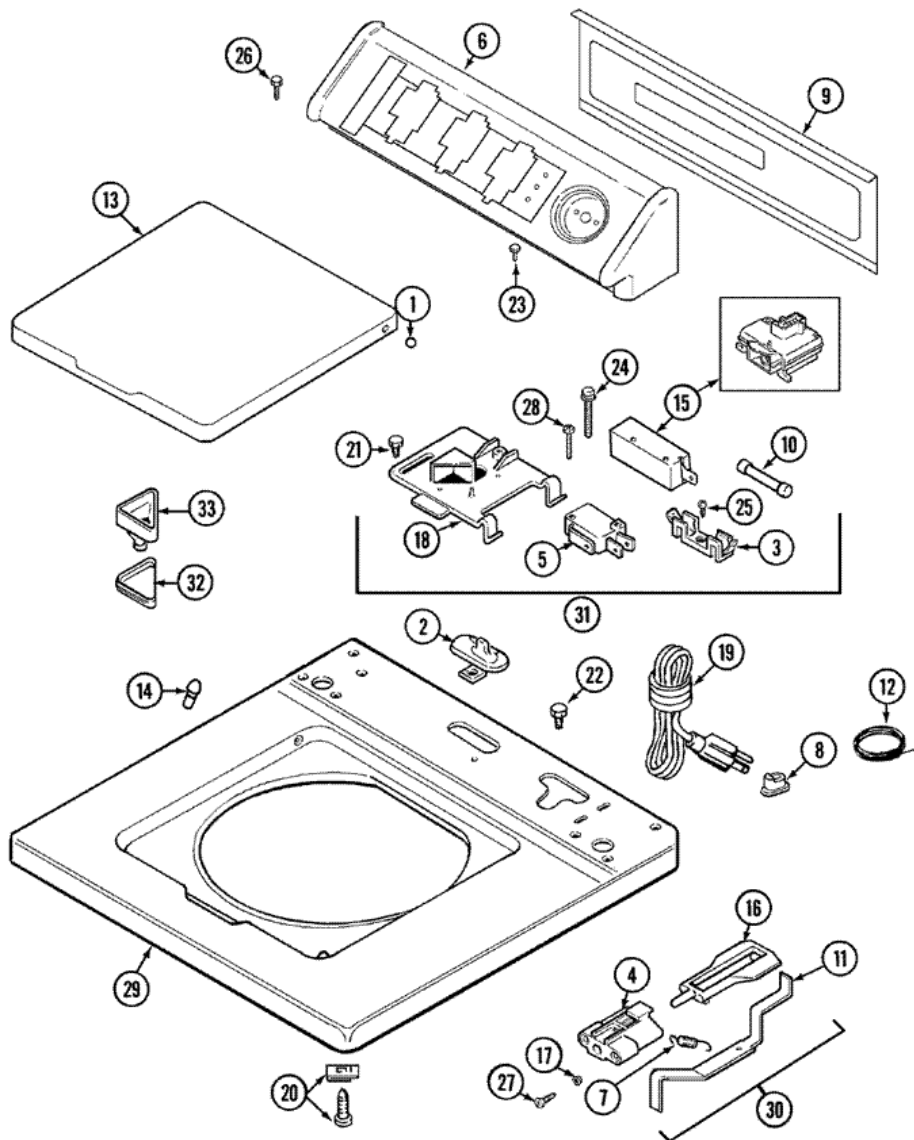
1	22001619	TUBE, WATER LEVEL SWITCH
2	22001665	INSERT, TIMER KNOB (ALM) (S/P)
3	22001749	PANEL, CONTROL (ALM) (S/P)
4	22003875	BUTTON (ALM-MDL) (S/P)
4	22001784	SWITCH, WATER TEMP. (4 P.-ALM) (S/P)
4	22003876	BUTTON (ALM-END) (S/P)
5	22003876	BUTTON (ALM-END) (S/P)
5	22003875	BUTTON (ALM-MDL) (S/P)
5	22001796	SWITCH, SPEED CONTROL (ALM) (S/P)
6	211605	RETAINER, TIMER KNOB
7	22001662	SCREW (S/P)
8	22001948	LENS, INDICATOR LIGHT (S/P)
8	903115	LOCK LIGHT (S/P)
8	22001759	WIRE HARNESS, MAIN (S/P)
8	22002210	HARNESS, WIRE (S/P)
9	22004262	TIMER
9	22001694	TIMER (S/P)
9	22001661	SCREW, TIMER (S/P)
10	22001668	BEZEL, TIMER KNOB (ALM) DESCONTINUADO
11	22001659	TIMER KNOB – GREY
12	2-11065	SPRING, TIMER KNOB (S/P)
13	22002588	SWITCH, WATER LEVEL (INF.-ALM) DESCONTINUADO
14	22003876	BUTTON (ALM-END) (S/P)
14	22001909	SWITCH, OPTION (4 POS.-ALM) (S/P)
14	22003875	BUTTON (ALM-MDL) (S/P)
15	16000327	GUIDE, QUICK REF. - MAYTAG DESCONTINUADO
15	22002421	MANUAL, USE & CARE (S/P)

Distribuidor Autorizado

SurteRápido.com

Venta de Refacciones
Electrodomesticas

LAT9706AAM CUBIERTA



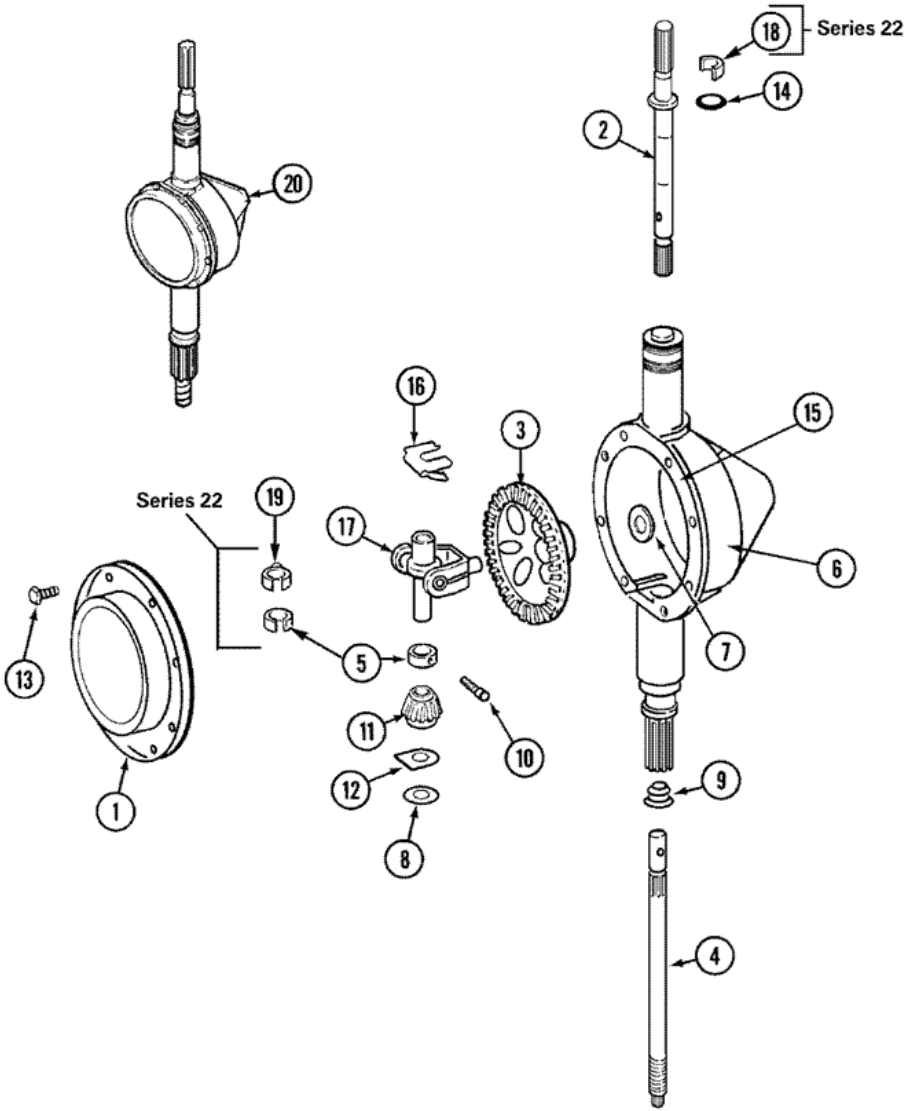


LAT9706AAM CUBIERTA

1	2-11726	HINGE, BALL (S/P)
2	207159	SCREW (S/P)
2	22001298	CAP, TOP COVER
3	207167	BLOCK, FUSE
4	22001645	BRACKET, UNBALANCE DESCONTINUADO
4	22002135	BRACKET, UNBALANCE (S/P)
5	207166	SWITCH, CHECK
6	22001671	CONSOLE (ALM) (S/P)
7	213720	SPRING (S/P)
8	2-11881	GROMMET, CORD
9	216423	SCREW (S/P)
9	22001814	BACK PANEL, CONSOLE (S/P)
9	22001662	SCREW (S/P)
10	22001682	FUSE
11	22001968	LEVER, UNBALANCE (S/P)
11	22001672	LEVER, UNBALANCE (S/P)
12	Y705026	SCREW (S/P)
12	22001654	WIRE, GROUND (S/P)
13	22001675	LID W/LEGEND (ALM) DESCONTINUADO
13	22001677	LID W/LEGEND (CANADA-ALM) (S/P)
14	212716	BUMPER, LID (S/P)
15	279347	SWITCH, LID (W/O TUB LIGHT)
15	12001908	SWITCH, LID
16	216255	PLUNGER, UNBALANCE
17	211500	WASHER, BRACKE TO TOP COVER (S/P)
18	22001678	BRACKET, SWITCH & FUSE
19	22003062	CORD, POWER (S/P)
20	22001402	SCREW (S/P)
21	207159	SCREW (S/P)
22	Y705026	SCREW (S/P)
23	216423	SCREW (S/P)
24	213501	SCREW, No.6-20 X 1-1/8 INCH (S/P)
25	Y311711	SCREW (S/P)

26	216423	SCREW (S/P)
27	22001600	SCREW (OVAL CTSK HD) (S/P)
28	22001352	SCREW, CHECK SWITCH (S/P)
29	22002146	COVER, TOP (ALM-BLEACH) (S/P)
30	22001969	UNBALANCE LEVER ASSEMBLY (S/P)
30	22001681	LEVER ASSY. (UNBALANCE) (S/P)
31	22001682	SWITCH ASSY., LID W/4AMP FUSE
32	215374	GASKET FOR BLEACH CUP (S/P)
33	22001008	CUP, BLEACH (ALM) (S/P)

LAT9706AAM TRANSMISION





LAT9706AAM TRANSMISION

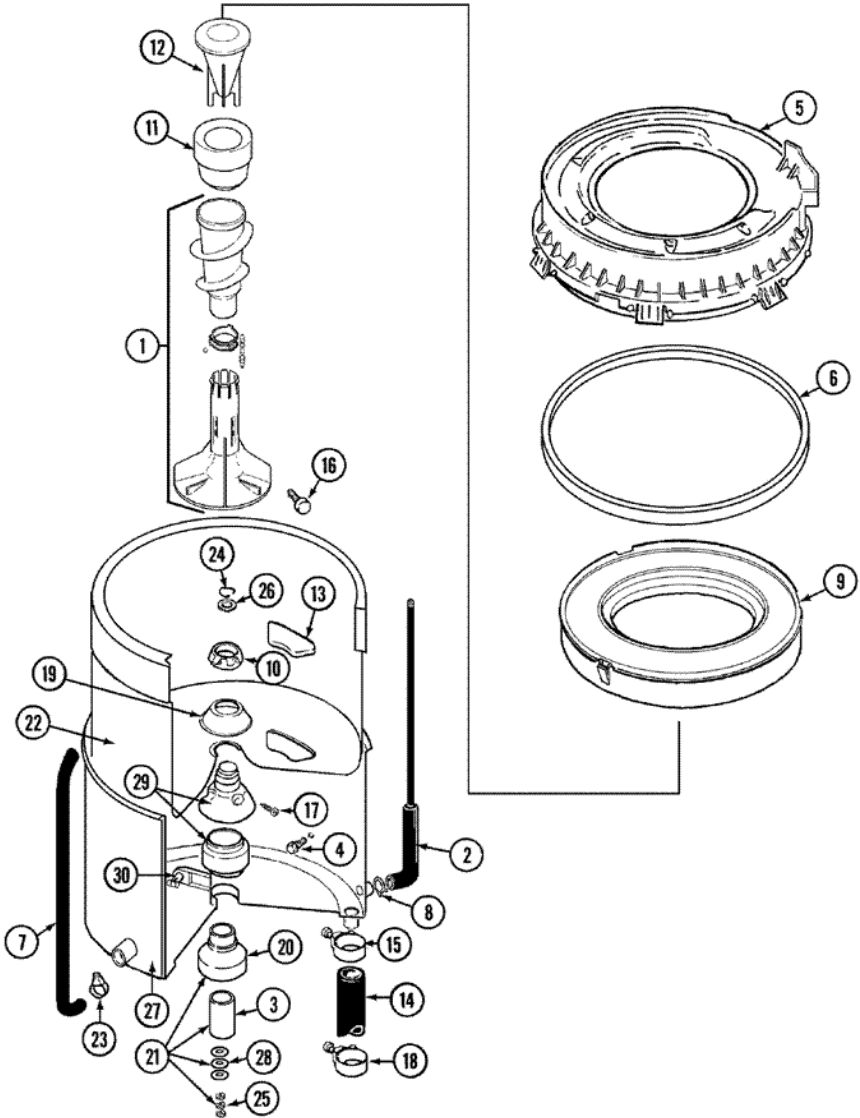
1	206628	COVER, TRANSMISSION (S/P)
2	22002132	SHAFT, AGITATOR (W/SPRING) (S/P)
2	22002415	SHAFT, AGITATOR
3	206713	GEAR, BEVEL
4	12001450	CENTER SHAFT - LARGER (S/P)
4	22002342	SHAFT, CENTER (DEEP TUB) (S/P)
5	22002353	COLLAR, CENTER SHAFT (S/P)
5	215415	COLLAR, LOWER DESCONTINUADO
6	22002126	HOUSING, TRANSMISSION
6	22002416	ASSEMBLY, CASE CASTING DEEP (S/P)
7	215394	WASHER, BEVEL GEAR (S/P)
8	211483	WASHER, SPLINED
9	207843	SEAL, LIP (CENTER SHAFT)
10	206629	PIN, COLLAR (S/P)
11	215401	PINION (S/P)
12	215395	PLATE, CLUTCH
13	215417	SCREW, TRANSMISSION COVER (S/P)
14	210690	SEAL, RUBBER
14	22002417	O-RING AGITATOR SHAFT
15	Y058700	SILASTIC, ADH.SEALANT (S/P)
16	215581	SPRING, AGITATOR SHAFT
17	206685	BLOCK, TORQUE AND YOKE ASSEMBL
18	22002340	COLLAR, AGITATOR SHAFT
19	22002341	COLLAR, LOWER PLASTIC KEEPER (S/P)
20	22002126	TRANS (DEEP TUB, COMPLETE)
20	206707	TRANSMISSION, ORBITAL (S/P)

Distribuidor Autorizado

SurteRápido.com

Venta de Refacciones
Electrodomesticas

LAT9706AAM TINAS





LAT9706AAM TINAS

1	22003454	AGITATOR AUGER & BASE ASSY.
2	22001619	TUBE, WATER LEVEL SWITCH
3	211130	LINER, TUB BEARING (S/P)
4	205254	BOLT & GASKET ASSEMBLY (LONG) (S/P)
4	200744	BOLT & GASKET ASSY.(SHORT) (S/P)
5	22001299	TUB COVER & GASKET ASSEMBLY (S/P)
6	22001007	GASKET, TUB COVER (S/P)
7	22001320	TUBE, BLEACH (S/P)
8	211641	CLAMP, 1-1/16`` (S/P)
9	22001142	RING, BALANCE (W/CONCRETE) (S/P)
10	211047	NUT, CLAMPING (INNER TUB) (S/P)
11	21001905	HOUSING, DISPENSER
12	21001905	CUP, FABRIC SOFTENER
13	207219	FILTER, SELF-CLEANING
14	213045	DRAIN HOSE-TUB TO PUMP (S/P)
15	285655	CLAMP, HOSE (S/P)
16	22001819	LOCKING SCREW & O RING (S/P)
17	22001423	SCREW, SET (TORX) (S/P)
18	285655	CLAMP, HOSE (S/P)
19	211210	WASHER, CLAMPING NUT(STAINLESS) (S/P)
20	2-4013	BEARING, TUB
21	2-4013	TUB BEARING REPAIR KIT
22	22001139	TUB, INNER (EX. LARGE) (S/P)
23	489503	CLAMP - 15/16`` (S/P)
24	Y015667	RETAINING RING (S/P)
25	Y054867	WASHER, LOCK (S/P)
26	Y015666	WASHER, RETAINING(CENTER SEAL) (S/P)
27	22001114	TUB, OUTER (EX. LARGE) DESCONTINUADO
28	211100	WASHER, CUSHION (S/P)
29	22204012	MOUNTING STEM AND SEAL KIT
30	214434	SPOUT, DEFLECTOR (S/P)