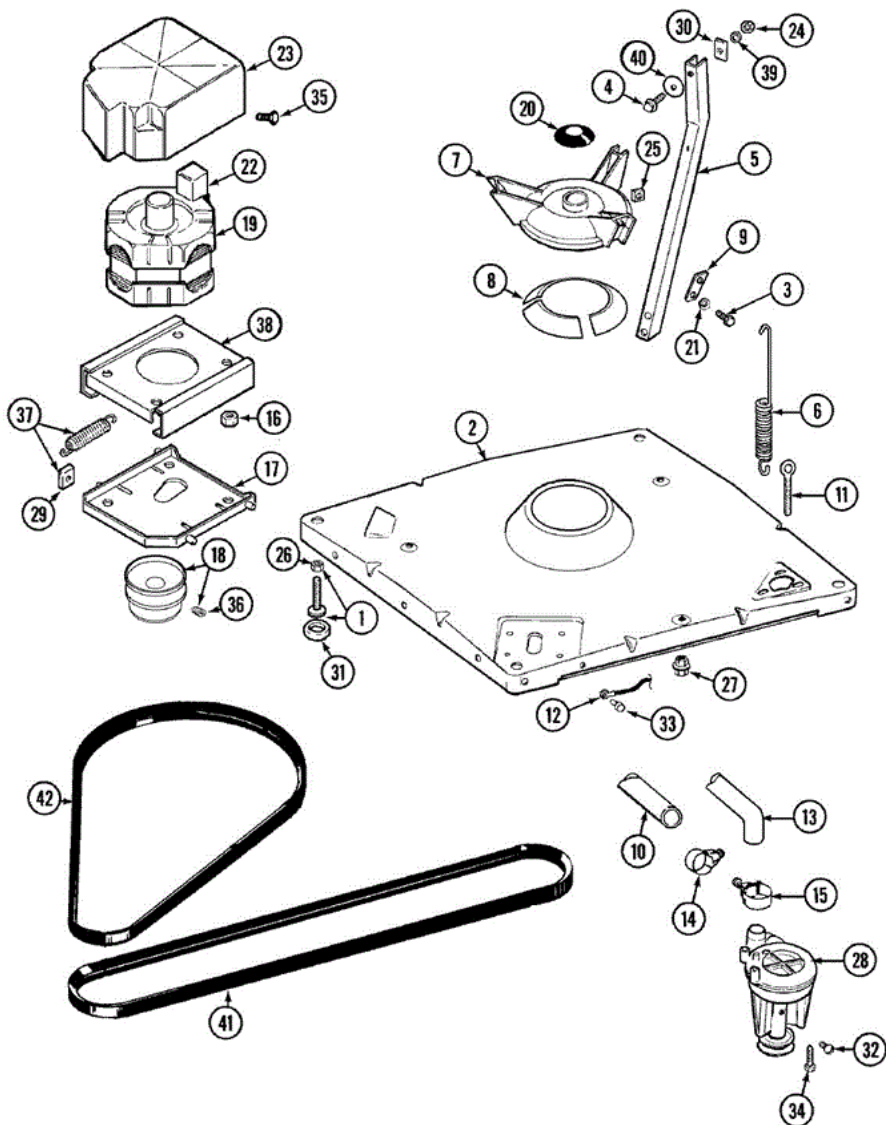


Distribuidor Autorizado

SurteRápido.com

Venta de Refacciones  
Electrodomesticas

# LAT9806AAM BASE



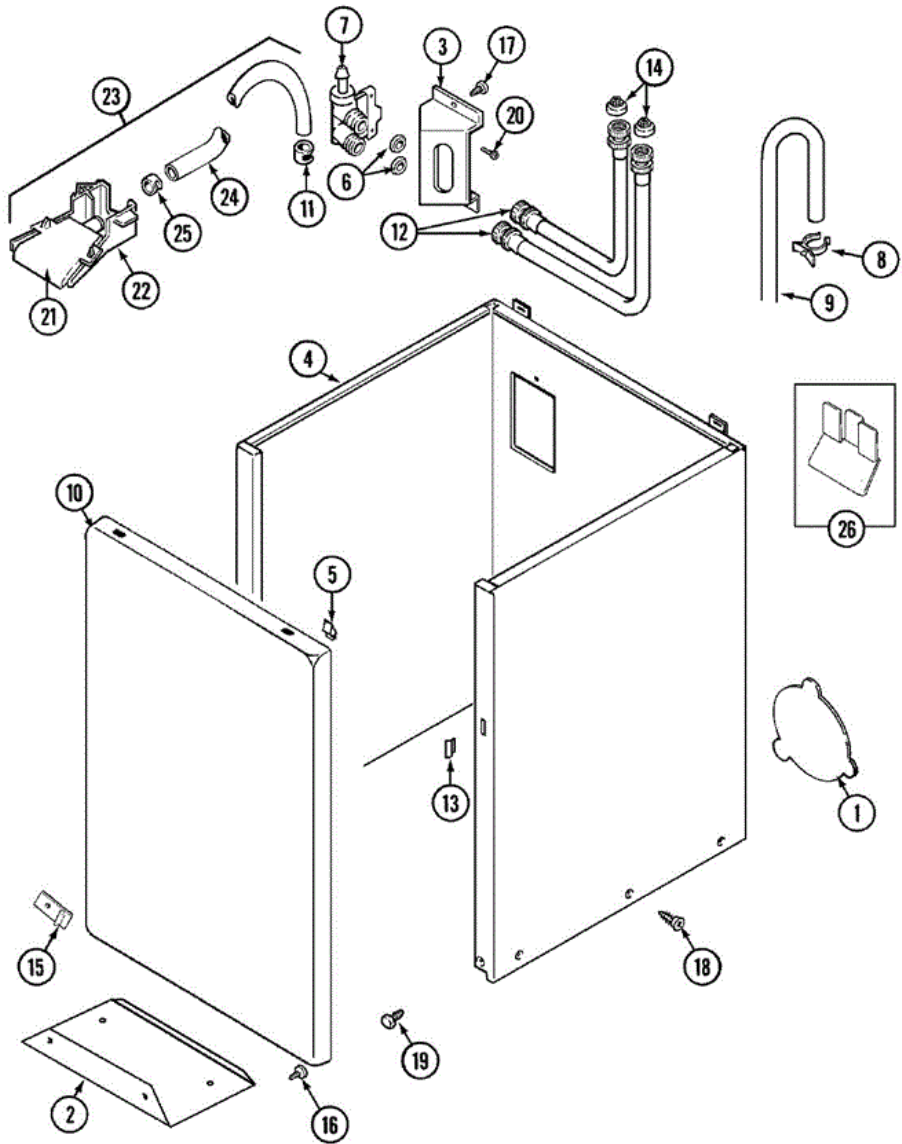


## LAT9806AAM BASE

1	Y302699	SERIES 10	LEG, ADJUSTABLE (W/NUT)
2	22001172	SERIES 10	BASE (W/DAMPER PADS)
3	Y015627	SERIES 10	SCREW, HEX HD CAP 5/16 X 5/8
4	200744	SERIES 10	BOLT & GASKET ASSY.(SHORT)
4	205254	SERIES 10	BOLT & GASKET ASSEMBLY (LONG)
5	213053	SERIES 10	BRACE, TUB
6	22001300	SERIES 10	SPRING, CENTERING
7	203725	SERIES 10	DAMPER W/BOLT & CLIP
8	203956	SERIES 10	DAMPER PAD KIT (W/POLY LUBE)
9	213073	SERIES 10	WASHER, DOUBLE
10	22001816	SERIES 10	HOSE, DRAIN
11	216416	SERIES 10	BOLT, EYE/CENTERING SPRING
12	901220	SERIES 10	WIRE, GROUND
13	213045	SERIES 10	DRAIN HOSE-TUB TO PUMP
14	22001820	SERIES 10	CLAMP, HOSE
15	22001640	SERIES 10	CLAMP, HOSE
16	Y311426	SERIES 10	NUT, WASHERED LOCK
17	22001301	SERIES 10	MOUNT, MOTOR LOWER-ASSEMBLY
17	22001835	SERIES 10	PAD, MOTOR
18	200816	SERIES 10	PULLEY, MOTOR (W/SET SCREW)
19	201807	SERIES 10	MOTOR - TWO SPEED 120-60
20	22001586	SERIES 10	DEFLECTOR, WATER
21	911852	SERIES 10	WASHER, LOCK (BRACE)
22	205131	SERIES 10	SWITCH, MOTOR START
22	206504	SERIES 10	MOTOR EXTERNAL START SWITCH
23	215098	SERIES 10	SHIELD, MOTOR
24	Y052734	SERIES 10	NUT
25	Y052785	SERIES 10	NUT,BRACE TO DAMPER
26	210385	SERIES 10	NUT, LOCK
27	211949	SERIES 10	NUT, EYEBOLT
28	202203	SERIES 10	PUMP AS PAK
28	22001836	SERIES 10	FLAP, PUMP
29	204998	SERIES 10	GLIDE KIT (4 W/POLY LUBE)

30	212979	SERIES 10	WASHER, TUB BRACE
31	210684	SERIES 10	FOOT, RUBBER
32	Y015408	SERIES 10	SCREW, BEARING INSERT
33	Y705026	SERIES 10	SCREW
34	211880	SERIES 10	SCREW, HEX HD NO.10 X 1/2 INC
35	213121	SERIES 10	SCREW
36	Y053241	SERIES 10	SET SCREW, PULLEY
37	205000	SERIES 10	GLIDE & SPRING KIT
38	214956	SERIES 10	MOUNT, MOTOR/UPPER
39	Y054867	SERIES 10	WASHER, LOCK
40	211100	SERIES 10	WASHER, CUSHION
41	211124	SERIES 10	V BELT, PUMP
42	211125	SERIES 10	V BELT,DRIVE PULLEY

**LAT9806AAM GABINETE**



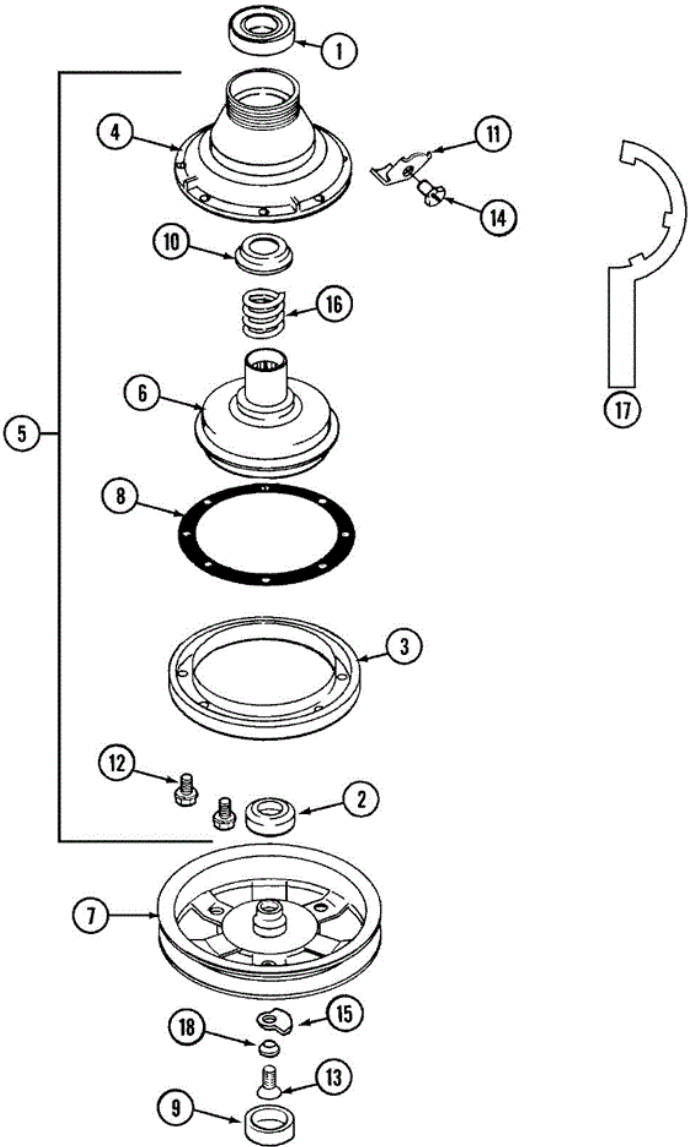


## LAT9806AAM GABINETE

1	211878	SERIES 10	PLATE, ACCESS
1	22001683	SERIES 10	PLATE, ACCESS (W/HOLE)
2	213846	SERIES 10	GUARD, BELT
3	214812	SERIES 10	BRACKET, WATER VALVE
3	22003217	SERIES 10	SCREW, BRACKET TO CABINET
3	22002361	SERIES 20	BRACKET, VALVE
4	22001303	SERIES 10	CABINET (ALM)---NA
4	22002380	SERIES 18	CABINET (ALM)
5	22001650	SERIES 10	FASTENER, SPRING
6	Y013783	SERIES 10	GASKET, INLET HOSE
7	214337	SERIES 10	SCREEN, VALVE
7	22001138	SERIES 10	VALVE, WATER (3 COIL)
7	22002360	SERIES 20	VALVE, WATER
8	22001815	SERIES 10	CLIP, HOSE
9	22001816	SERIES 10	HOSE, DRAIN
9	22002700	SERIES 16	HOSE, DRAIN
9	22002701	SERIES 16	RETAINER, DRAIN HOSE
10	22001143	SERIES 10	DAMPER, SOUND
10	22001144	SERIES 10	DAMPER, SOUND
10	22001804	SERIES 10	PANEL, FRONT (ALM)
10	22001834	SERIES 10	PAD, FRONT
10	22002370	SERIES 18	PANEL, FRONT (ALM)----NA
11	216169	SERIES 10	CLAMP, HOSE-INJEC. HOSE TO VALVE
12	202860	SERIES 10	INLET HOSE ASSY.
13	214376	SERIES 10	SPACER, FRONT PANEL
14	200961	SERIES 10	SCREEN WASHER, INLET HOSE
15	12001340	SERIES 10	SCREW & FASTENER KIT (ALM)
15	22001995	SERIES 18	SCREW
15	22002376	SERIES 18	CLIP
15	22002377	SERIES 18	CLIP, RETAINER (LOWER)
15	22002378	SERIES 18	SCREW
16	211294	SERIES 10	SCREW
17	212276	SERIES 10	SCREW

17	22002372	SERIES 20	SCREW
18	213007	SERIES 10	SCREW, CABINET
19	213121	SERIES 10	SCREW
19	213122	SERIES 10	SCREW,CBNT.TO FRNT OF BASE--NA
20	Y313561	SERIES 10	SCREW----NA
21	22001187	SERIES 10	INJECTOR (UPR)
22	22001186	SERIES 10	INJECTOR (LWR)
23	22001304	SERIES 10	INJECTOR ASSY., WATER
24	22001190	SERIES 10	HOSE, INJECTOR
25	216169	SERIES 10	CLAMP,HOSE-INJEC.HOSE TO VALVE
26	22001972	SERIES 15	CLIP, CABINET

**LAT9806AAM CLUTCH**



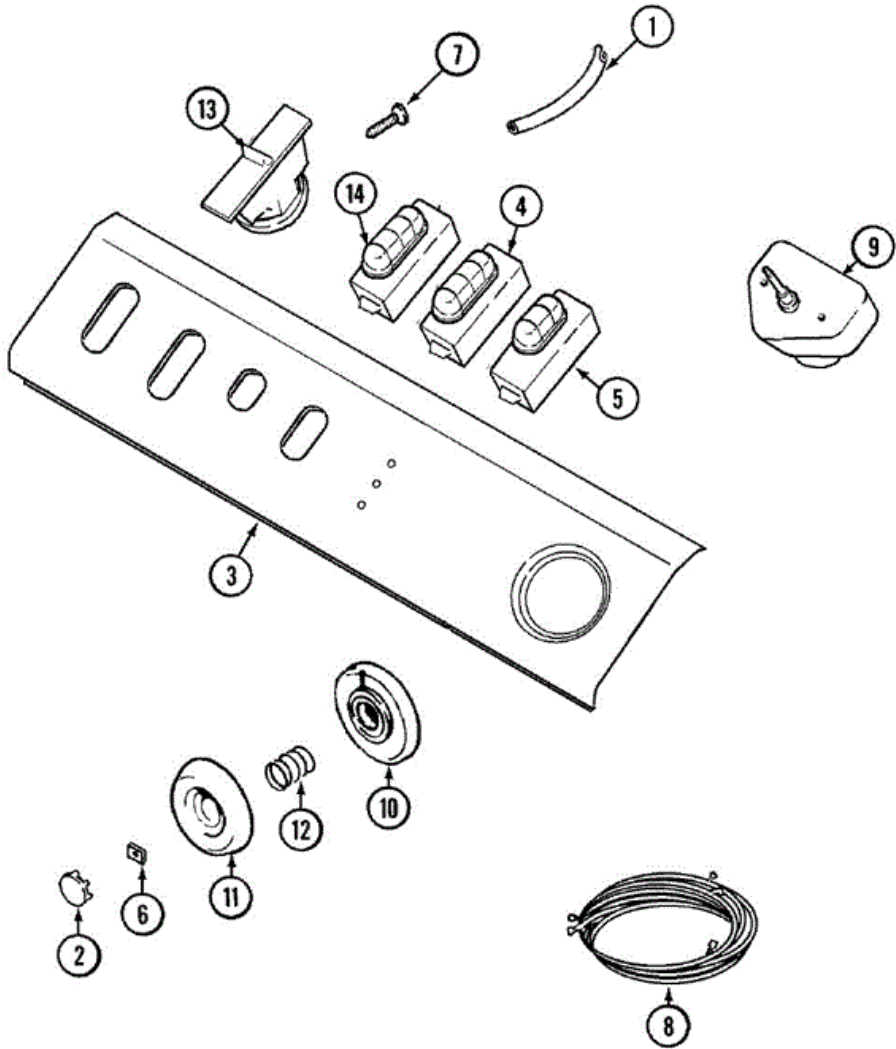


## LAT9806AAM CLUTCH

1	Y200720	SERIES 10	BALL BEARING, RADIAL
2	200835	SERIES 10	BEARING, BRAKE ROTOR
3	211043	SERIES 10	DRUM, BRAKE
4	211045	SERIES 10	HOUSING, BRAKE
5	201190	SERIES 10	BRAKE ASSEMBLY
6	201126	SERIES 10	ROTOR, BRAKE (W/FACING)
7	211059	SERIES 10	PULLEY, DRIVE
7	22002431	SERIES 23	PULLEY ASSEMBLY
8	211042	SERIES 10	GASKET, BRAKE DRUM
9	211038	SERIES 10	CAP, OIL RETAINER
9	22002428	SERIES 23	COVER, DUST (PLASTIC)
10	211039	SERIES 10	RETAINER, BRAKE SPRING
11	213325	SERIES 10	CLIP, RETAINER
12	211000	SERIES 10	SCREW, HEX HEAD (BRAKE DRUM)
13	211375	SERIES 10	SCREW, STOP LUG (CENTER SHAFT)
14	213326	SERIES 10	SCREW, RETAINING CLIP
15	211089	SERIES 10	LUG, STOP
16	211041	SERIES 10	SPRING, BRAKE
17	Y038315	SERIES 10	TOOL, BRAKE PKG ASSY
18	211090	SERIES 10	WASHER, LOCK



LAT9806AAM TABLERO

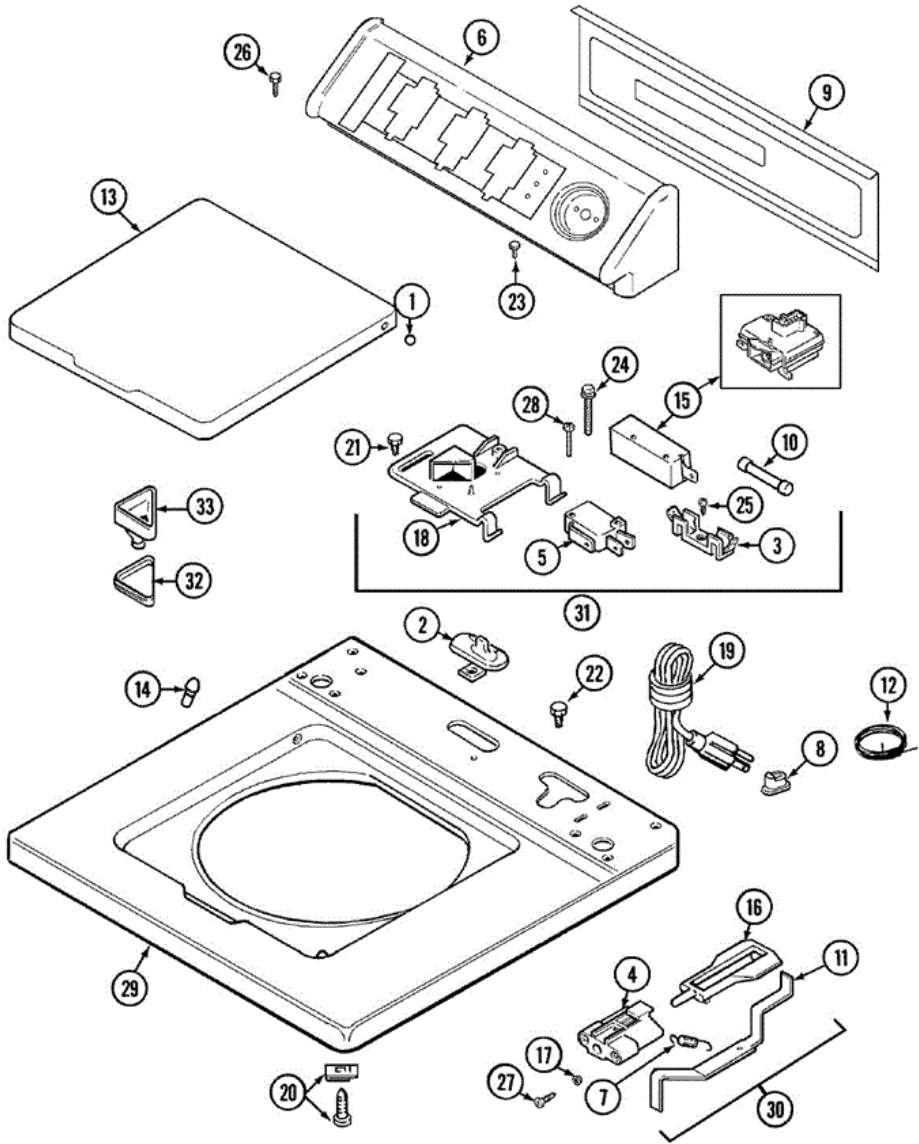




## LAT9806AAM TABLERO

1	22001036	SERIES 10	TUBE, WATER LEVEL SWITCH
2	22001665	SERIES 10	INSERT, TIMER KNOB (ALM)
3	22001752	SERIES 10	PANEL, CONTROL (ALM)
4	22001784	SERIES 10	SWITCH, WATER TEMP. (4 P.-ALM)
4	22001790	SERIES 10	BUTTON (ALM-END)
4	22001791	SERIES 10	BUTTON (ALM-MDL)
5	22001790	SERIES 10	BUTTON (ALM-END)
5	22001791	SERIES 10	BUTTON (ALM-MDL)
5	22001798	SERIES 10	SWITCH, SPEED CONTROL (ALM)
6	211605	SERIES 10	RETAINER, TIMER KNOB
7	22001662	SERIES 10	SCREW
8	22001761	SERIES 10	WIRE HARNESS, MAIN
8	22001948	SERIES 10	LENS, INDICATOR LIGHT
8	903115	SERIES 10	LOCK LIGHT
8	22002212	SERIES 15	HARNESS, WIRE
9	22001661	SERIES 10	SCREW, TIMER
9	22001695	SERIES 10	TIMER
9	22002190	SERIES 15	TIMER
10	22001668	SERIES 10	BEZEL, TIMER KNOB (ALM)
11	22001659	SERIES 10	TIMER KNOB - GREY
12	211065	SERIES 10	SPRING, TIMER KNOB
13	22001778	SERIES 10	SWITCH, WATER LEVEL (INF.-ALM)
14	22001790	SERIES 10	BUTTON (ALM-END)
14	22001791	SERIES 10	BUTTON (ALM-MDL)
14	22001792	SERIES 10	SWITCH, PUSHBUTTON (4 POS-ALM)
15	16000327	SERIES 10	GUIDE, QUICK REF. - MAYTAG
15	22001767	SERIES 10	MANUAL, USE & CARE
15	22001773	SERIES 10	MANUAL, USE & CARE (FRENCH)

**LAT9806AAM TAPA**



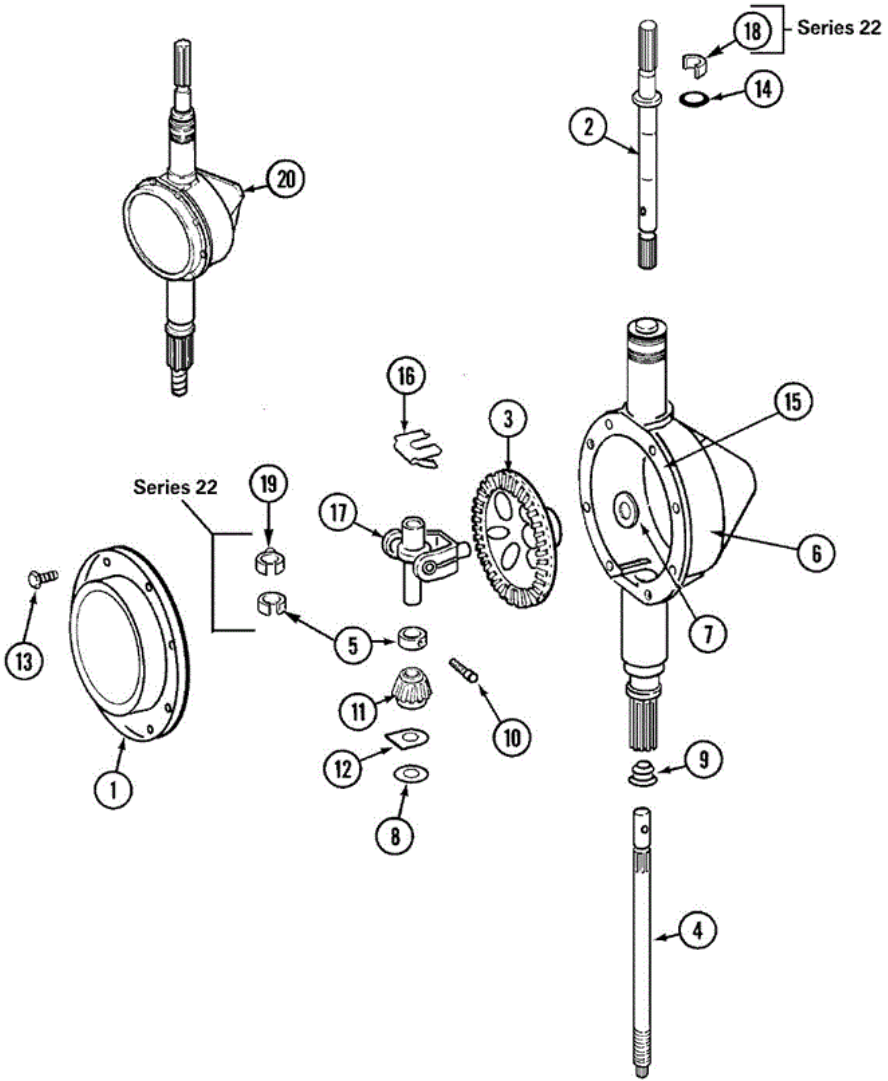


LAT9806AAM TAPA

1	211726	SERIES 10	HINGE, BALL
2	207159	SERIES 10	SCREW
2	22001298	SERIES 10	CAP, TOP COVER
3	207167	SERIES 10	BLOCK, FUSE
3	W10124350	SERIES 10	NOT REQUIRED PART OR SEE NOTE
4	22001645	SERIES 10	BRACKET, UNBALANCE----NA
4	22002135	SERIES 10	BRACKET, UNBALANCE
5	207166	SERIES 10	SWITCH, CHECK
5	W10124350	SERIES 10	NOT REQUIRED PART OR SEE NOTE
6	22001671	SERIES 10	CONSOLE (ALM)----NA
7	213720	SERIES 10	SPRING
8	211881	SERIES 10	GROMMET, CORD
9	216423	SERIES 10	SCREW
9	22001662	SERIES 10	SCREW
9	22001814	SERIES 10	BACK PANEL, CONSOLE
10	22001673	SERIES 10	FUSE
10	W10124350	SERIES 10	NOT REQUIRED PART OR SEE NOTE
11	22001672	SERIES 10	LEVER, UNBALANCE
11	22001968	SERIES 10	LEVER, UNBALANCE
12	22001654	SERIES 10	WIRE, GROUND
12	Y705026	SERIES 10	SCREW
13	22001677	SERIES 1	LID W/LEGEND (CANADA-ALM)---NA
13	22001675	SERIES 10	LID W/LEGEND (ALM)
14	212716	SERIES 10	BUMPER, LID
15	205415	SERIES 10	SWITCH, LID (W/O TUB LIGHT)
15	22001967	SERIES 10	SWITCH, LID
16	216255	SERIES 10	PLUNGER, UNBALANCE
17	211500	SERIES 10	WASHER,BRACKE TO TOP COVER
18	22001678	SERIES 10	BRACKET, SWITCH & FUSE
18	W10124350	SERIES 10	NOT REQUIRED PART OR SEE NOTE
19	208194	SERIES 10	CORD, POWER
20	22001402	SERIES 10	SCREW
21	207159	SERIES 10	SCREW

22	Y705026	SERIES 10	SCREW
23	216423	SERIES 10	SCREW
24	213501	SERIES 10	SCREW, NO.6-20 X 1-1/8 INCH
25	Y311711	SERIES 10	SCREW
26	216423	SERIES 10	SCREW
27	22001600	SERIES 10	SCREW (OVAL CTSK HD)
28	22001352	SERIES 10	SCREW, CHECK SWITCH
29	22001782	SERIES 10	COVER, TOP (ALM-BLEACH)
30	22001681	SERIES 10	LEVER ASSY. (UNBALANCE)
30	22001969	SERIES 10	UNBALANCE LEVER ASSEMBLY
31	22001682	SERIES 10	SWITCH ASSY., LID W/4AMP FUSE
31	22001967	SERIES 10	SWITCH, LID
32	215374	SERIES 10	GASKET FOR BLEACH CUP
33	22001008	SERIES 10	CUP, BLEACH (ALM)

**LAT9806AAM TRANSMISION**

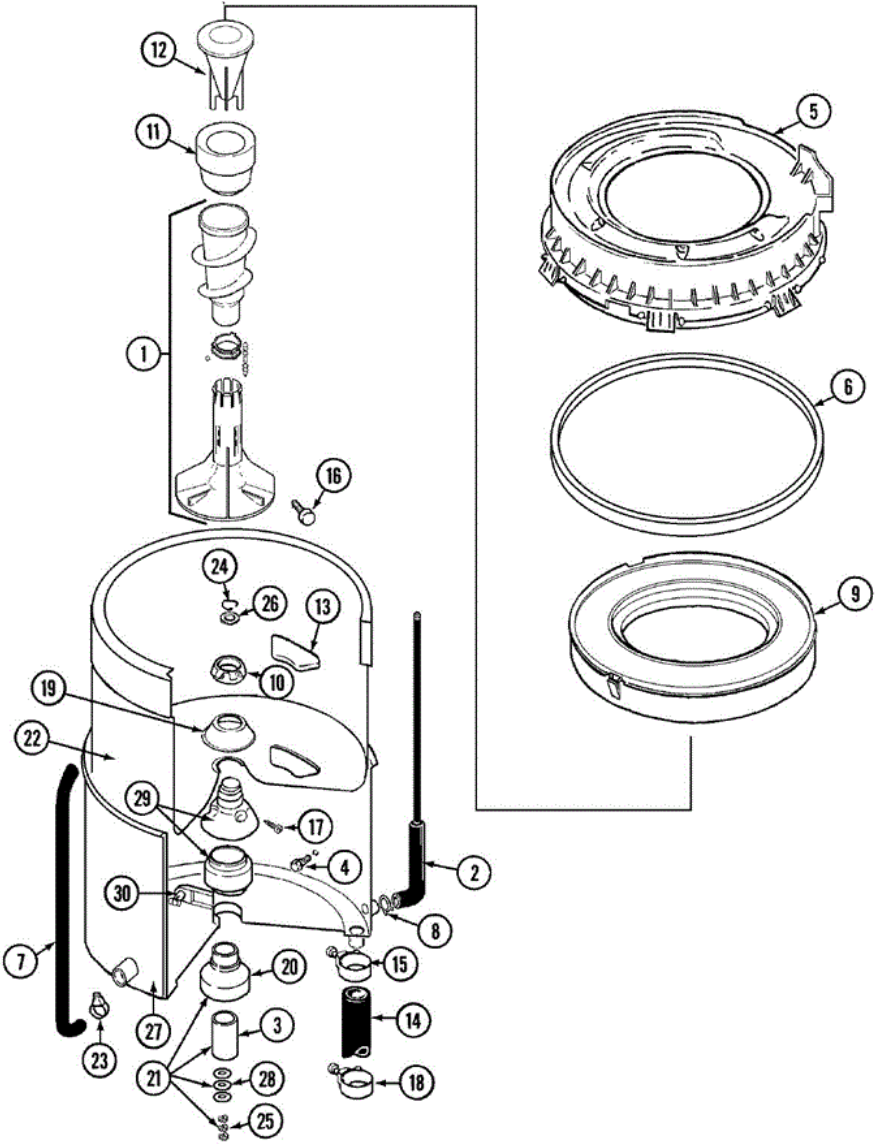




## LAT9806AAM TRANSMISION

1	206628	SERIES 10	COVER, TRANSMISSION
2	207153	SERIES 10	SHAFT, AGITATOR (W/SPRING)
2	22002415	SERIES 22	SHAFT, AGITATOR
3	206713	SERIES 10	GEAR, BEVEL
4	215410	SERIES 10	CENTER SHAFT - LARGER
4	22002342	SERIES 22	SHAFT, CENTER (DEEP TUB)
5	215415	SERIES 10	COLLAR, LOWER
5	22002353	SERIES 22	COLLAR, CENTER SHAFT
6	206624	SERIES 10	HOUSING, TRANSMISSION
6	22002416	SERIES 22	ASSEMBLY, CASE CASTING DEEP
7	215394	SERIES 10	WASHER, BEVEL GEAR
8	211483	SERIES 10	WASHER, SPLINED
9	206602	SERIES 10	SEAL, LIP (CENTER SHAFT)
10	Y206629	SERIES 10	PIN, COLLAR
10	W10124350	SERIES 22	NOT REQUIRED PART OR SEE NOTE
11	215401	SERIES 10	PINION
12	215395	SERIES 10	PLATE, CLUTCH
13	215417	SERIES 10	SCREW, TRANSMISSION COVER
13	215417	SERIES 22	SCREW, TRANSMISSION COVER
14	210690	SERIES 10	SEAL, RUBBER
14	22002417	SERIES 22	O-RING AGITATOR SHAFT
15	Y058700	SERIES 10	SILASTIC,ADH.SEALANT
16	215581	SERIES 10	SPRING, AGITATOR SHAFT
16	W10124350	SERIES 22	NOT REQUIRED PART OR SEE NOTE
17	206685	SERIES 10	BLOCK, TORQUE AND YOKE ASSEMBL
18	22002340	SERIES 22	COLLAR, AGITATOR SHAFT
19	22002341	SERIES 22	COLLAR, LOWER PLASTIC KEEPER
20	206707	SERIES 10	TRANSMISSION, ORBITAL
20	22002126	SERIES 22	TRANS (DEEP TUB, COMPLETE)

LAT9806AAM TINAS







## LAT9806AAM TINAS

1	22001821	SERIES 10	AGITATOR AUGER & BASE ASSY.
1	22003436	SERIES 29	ASSY,AUGER & AGITAT(ASPK-DEPL)
2	22001036	SERIES 10	TUBE, WATER LEVEL SWITCH
3	211130	SERIES 10	LINER, TUB BEARING
4	200744	SERIES 10	BOLT & GASKET ASSY.(SHORT)
4	205254	SERIES 10	BOLT & GASKET ASSEMBLY (LONG)
5	22001299	SERIES 10	TUB COVER & GASKET ASSEMBLY
6	Y22001201	SERIES 10	GASKET, TUB COVER
7	22001320	SERIES 10	TUBE, BLEACH
8	211641	SERIES 10	CLAMP, 1-1/16"
9	22001142	SERIES 10	RING, BALANCE (W/CONCRETE)
10	211047	SERIES 10	NUT, CLAMPING (INNER TUB)
11	22001805	SERIES 10	HOUSING, DISPENSER
12	22001799	SERIES 10	CUP, DETERGENT
12	22001806	SERIES 10	CUP, FABRIC SOFTENER
13	207219	SERIES 10	FILTER, SELF-CLEANING
14	213045	SERIES 10	DRAIN HOSE-TUB TO PUMP
15	22001640	SERIES 10	CLAMP, HOSE
16	22001819	SERIES 10	LOCKING SCREW & O RING
18	22001640	SERIES 10	CLAMP, HOSE
19	211210	SERIES 10	WASHER,CLAMPING NUT(STAINLESS)
20	200824	SERIES 10	BEARING, TUB
21	204013	SERIES 10	TUB BEARING REPAIR KIT
22	22001139	SERIES 10	TUB, INNER (EX. LARGE)
23	205161	SERIES 10	CLAMP - 15/16"
24	Y015667	SERIES 10	RETAINING RING
25	Y054867	SERIES 10	WASHER, LOCK
26	Y015666	SERIES 10	WASHER,RETAINING(CENTER SEAL)-
27	22001114	SERIES 10	TUB, OUTER (EX. LARGE)
28	211100	SERIES 10	WASHER, CUSHION
29	22001648	SERIES 10	MOUNTING STEM AND SEAL KIT
30	214434	SERIES 10	SPOUT, DEFLECTOR