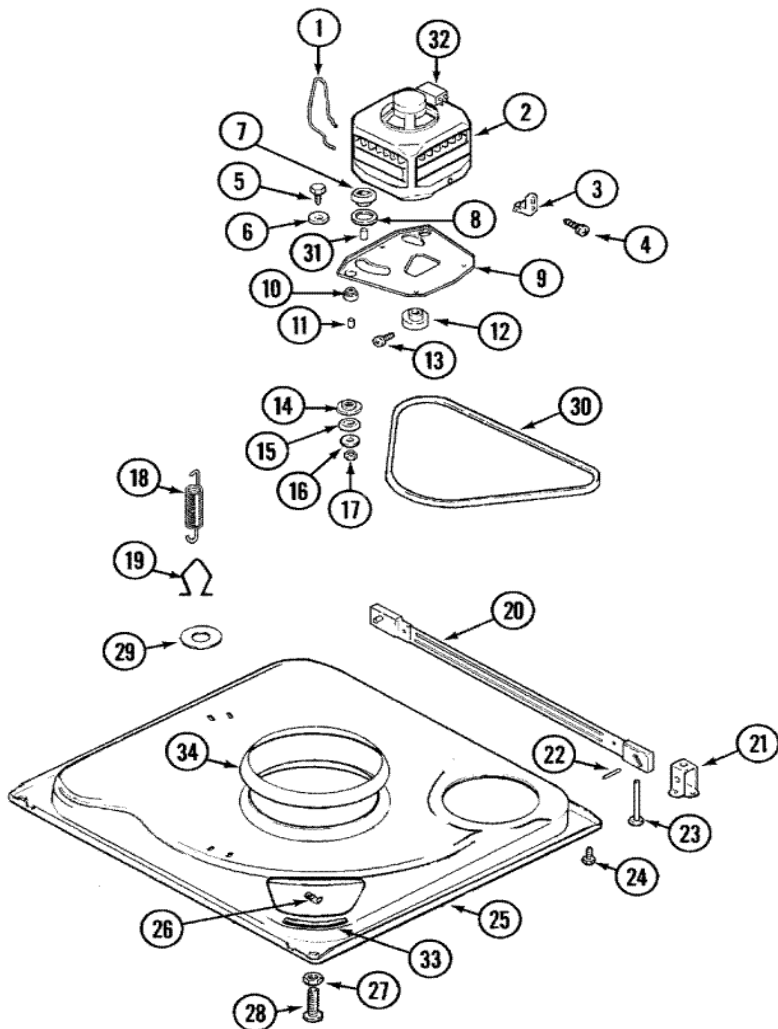


Distribuidor Autorizado

SurteRápido.com

Venta de Refacciones  
Electrodomesticas

## LATA400AAE MOTOR



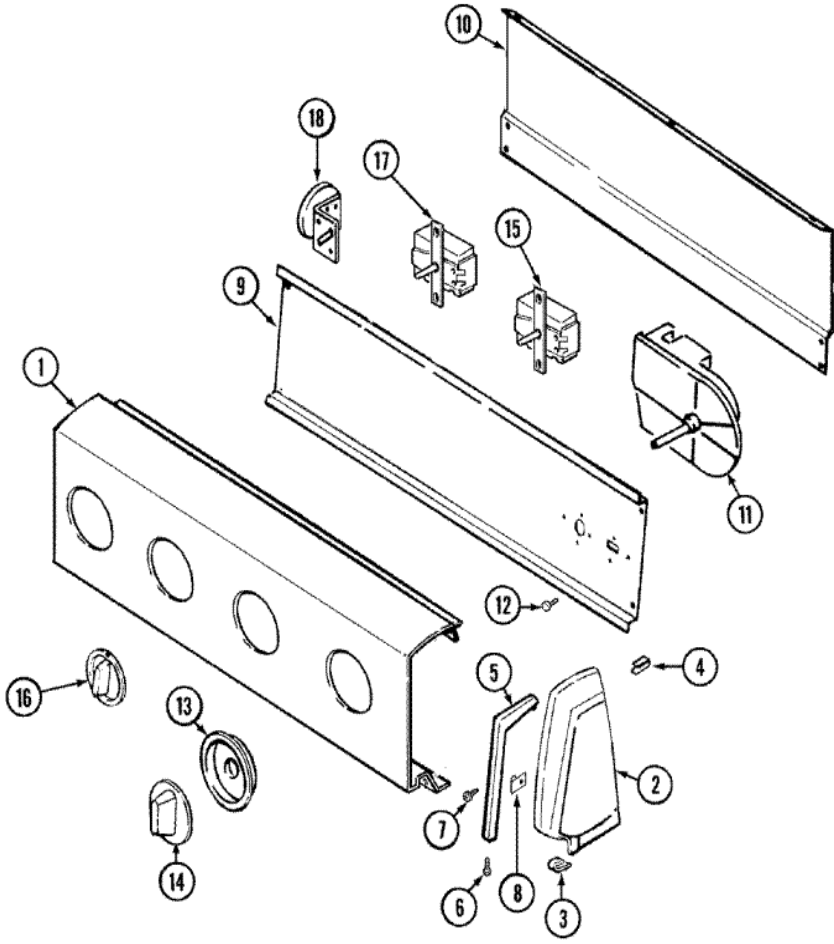


## LATA400AAE MOTOR

1	22004376	SPRING, MOTOR PIVOT
1	35-0235	SPRING, MOTOR PIVOT
2	21001400	MOTOR/PLATE ASSEMBLY (COMPLETE)
2	21001170	MOTOR & PULLEY/PLATE ASSY.
2	12001177	MOTOR KIT
3	33-9945	SLIDE, FOOT
3	21001486	SLIDE, FOOT <b>(S/P)</b>
4	25-7418	SCREW PURCHASE <b>(S/P)</b>
5	25-7833	SCREW <b>(S/P)</b>
6	25-7834	WASHER <b>(S/P)</b>
7	33-9946	ISOLATOR, MOTOR
8	35-3570	WASHER <b>(S/P)</b>
9	21001783	PLATE, MOTOR
10	35-3646	ISOLATOR, MOTOR PLATE <b>(S/P)</b>
11	25-7831	SPACER <b>(S/P)</b>
12	21001108	PULLEY, MOTOR (PLASTIC)
12	21001836	PULLEY, MOTOR (60HZ)
13	25-7117	SET SCREW <b>(S/P)</b>
14	35-3571	MOTOR SLIDE <b>(S/P)</b>
15	33-9967	WASHER, MOTOR ISOLATOR <b>(S/P)</b>
16	25-7047	WASHER, FLAT <b>(S/P)</b>
17	21002009	NUT, MOTOR PLATE ASY TO MOTOR <b>(S/P)</b>
18	35-3658	SPRING, SUSPENSION
18	22002922	TOOL, 6 POINT SPRING
18	21001165	SPRING, SUSPENSION
19	21001166	HOOK, SUSPENSION SPRING
19	35-2976	<b>DESCONTINUADO</b>
20	21001881	BAR, STABILIZER (WITH GUIDE)
21	35-2046	BRACKET, STABILIZER
22	35-2052	PIN, STABILIZER
23	22004469	FOOT PAD ASSY. (REAR)

24	25-7828	SCREW, NO.10 TORQ LIMITING (S/P)
25	12002701	BASE (S/P)
25	35-2984	<b>DESCONTINUADO</b>
26	25-7845	SPEEDNUT (S/P)
27	25-7915	<b>DESCONTINUADO</b>
28	25001119	FOOT, FRONT (S/P)
29	Y25-7951	WASHER, SUSPENSION HOOK (S/P)
30	21352320	BELT, DRIVE PULLEY
31	25-7830	SPACER
32	33-9765	SWITCH, MOTOR
33	35-2065	PAD, MOTOR PLATE (S/P)
34	21002026	SNUBBER

LATA400AAE TABLERO





## LATA400AAE TABLERO

1	25-7702	SPEEDCLIP, END CAP TO CTRL PNL (S/P)
1	25-7793	SCREW (S/P)
1	21001213	PANEL, CONTROL (S/P)
1	21001076	PANEL, CONTROL (S/P)
2	21001453	CAP, END (RT)(WHT)
2	21001454	CAP, END (LT)(WHT)
3	25-7697	SCREW (S/P)
3	25-7851	SPEEDCLIP, END CAP TO TOP (S/P)
4	25-7852	<b>DESCONTINUADO</b>
4	25-7435	SCREW (S/P)
5	21001283	TRIM, END CAP (RT) (S/P)
5	53-0278	<b>DESCONTINUADO</b>
5	31001054	TRIM, ENDCAP (RT WHT) (S/P)
5	31001055	TRIM, ENDCAP (LT WHT) (S/P)
6	25-7760	SCREW (S/P)
7	25-3092	SCREW (S/P)
8	25-7702	SPEEDCLIP, END CAP TO CTRL PNL (S/P)
9	31001193	SPACER, CONTROL SHIELD (S/P)
9	53-1676	SHIELD, CONTROL (S/P)
9	21001303	SHIELD, CONTROL (S/P)
10	25-7933	RETAINING RING (S/P)
10	35-2688	SHIELD, CONTROL PANEL (REAR) (S/P)
10	25-3457	SCREW, SEMS (S/P)
10	25-3092	SCREW (S/P)
11	35-3838	TIMER
11	21001339	TIMER
12	25-0205	SCREW (S/P)
13	35-3916	SKIRT & RING ASSY (WHT) (S/P)
13	21001502	SKIRT & RING ASSY. (WHT) (S/P)
14	21001237	TIMER KNOB
15	35-2839	SWITCH (S/P)

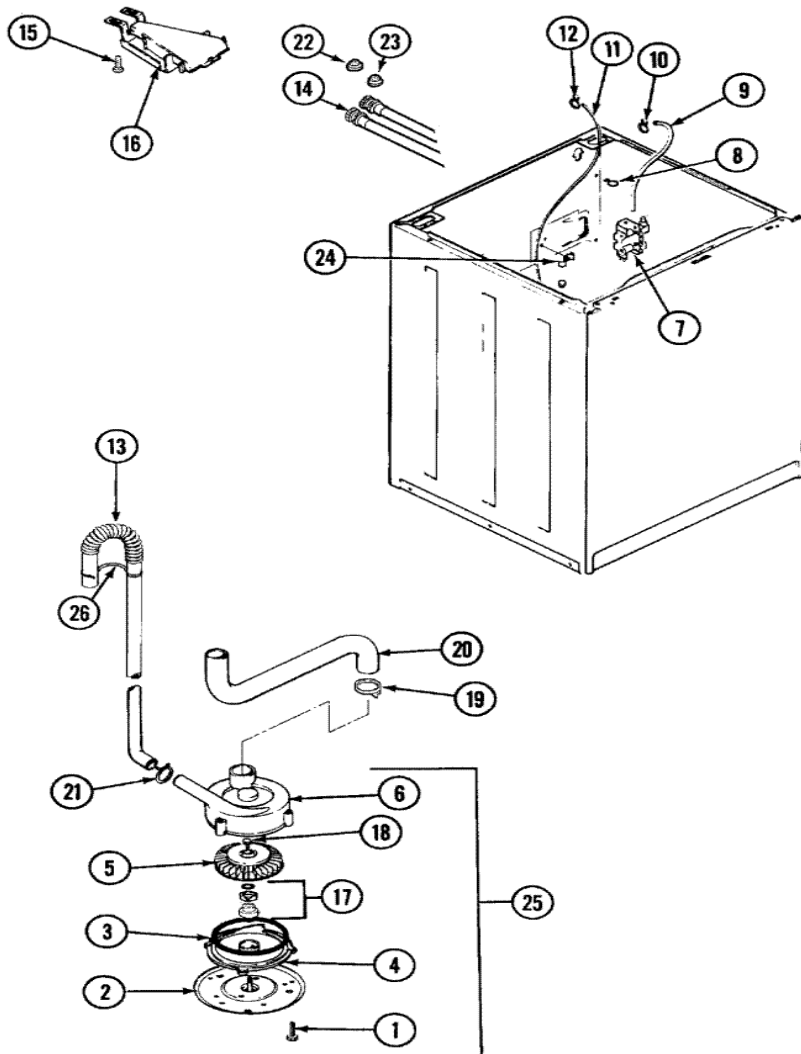
15	25-3092	SCREW <b>(S/P)</b>
15	21001225	SWITCH, WATER TEMPERATURE
16	21001239	KNOB, SELECTOR (WHT) <b>(S/P)</b>
17	21001280	SWITCH, SPEED <b>(S/P)</b>
17	25-3092	SCREW <b>(S/P)</b>
17	35-2193	SWITCH, ROTARY SPEED <b>(S/P)</b>
18	25-3092	SCREW <b>(S/P)</b>
18	21001554	SWITCH, WATER LEVEL

Distribuidor Autorizado

**SurteRápido.com**

Venta de Refacciones  
Electrodomesticas

# LATA400AAE BOMBA



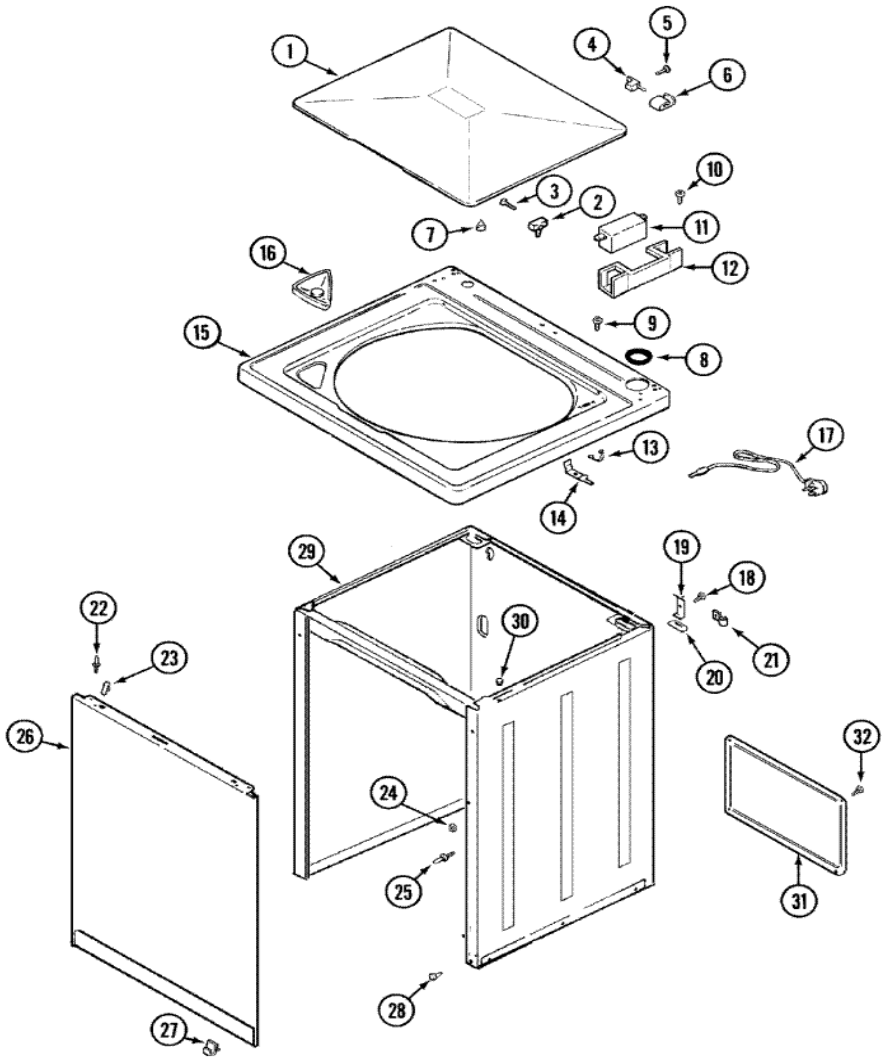


## LATA400AAE BOMBA

2	33-6035	<b>DESCONTINUADO</b>
3	33-6032	GASKET <b>(S/P)</b>
4	35-2058	BASE, PUMP <b>(S/P)</b>
6	21001906	HOUSING, PUMP
7	35-2374N	VALVE, WATER (120V) <b>(S/P)</b>
7	25-7220	CLIP, CABINET TOP <b>(S/P)</b>
8	25-7867	CLAMP <b>(S/P)</b>
9	12002749	HOSE, FLUME/DIVERTER (RUBBER) <b>(S/P)</b>
10	25-7867	CLAMP <b>(S/P)</b>
11	21001478	HOSE, PRESSURE SWITCH <b>(S/P)</b>
11	35-2261	PAD, PRESSURE SWITCH HOSE <b>(S/P)</b>
12	25-7796	CLAMP, PRESSURE SWITCH HOSE <b>(S/P)</b>
13	22003814	RETAINER <b>(S/P)</b>
13	21001872	HOSE, DRAIN (ONE MOLDED RB)
14	89503	HOSE, 4' INLET
14	21001466	HOSE, INLET <b>(S/P)</b>
16	35-2051	FLUME, WATER INLET
17	35-0707	<b>DESCONTINUADO</b>
19	21002254	CLAMP, HOSE <b>(S/P)</b>
20	21001915	HOSE, TUB TO PUMP
21	27001223	CLAMP, DISCHARGE HOSE <b>(S/P)</b>
22	25-7048	WASHER <b>(S/P)</b>
23	33-4264N	STRAINER, HOSE <b>(S/P)</b>
24	33-6099	CLAMP <b>(S/P)</b>
25	21001906	PUMP ASSY (COMPLETE)
25	35-2344	RESTRICTOR, FLOW <b>(S/P)</b>



**LATA400AAE TAPA**



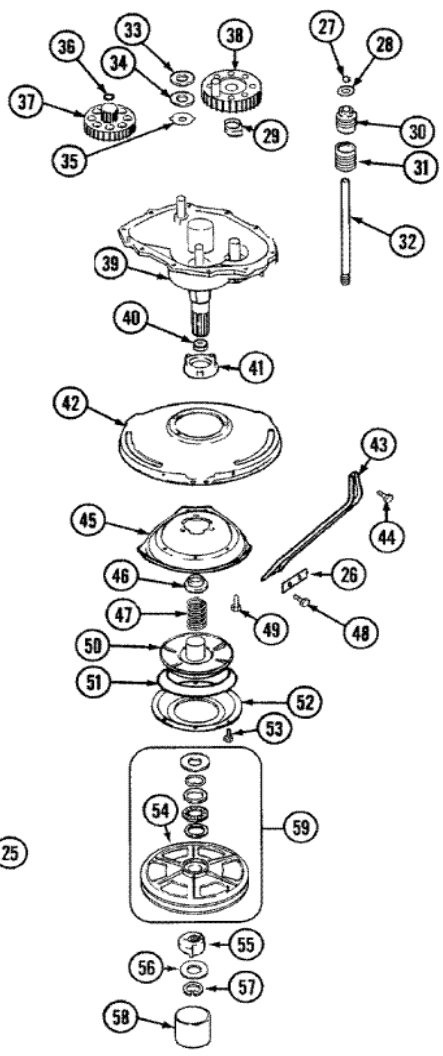
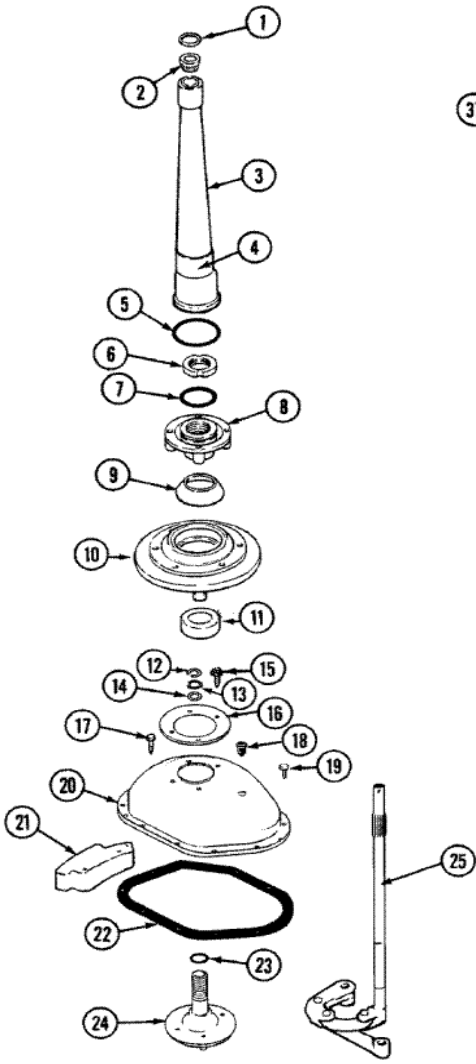


## LATA400AAE TAPA

2	25-7436	NYLITE WASHER (S/P)
2	43-0057	ACTUATOR, DOOR SWITCH
3	25-7438	SCREW (S/P)
4	35-2045	PIN, HINGE
5	25-7893	SCREW (S/P)
6	35-2044	HINGE, LID
7	35-0581	BUMPER, DOOR (LID) (S/P)
8	35-2063	BUSHING, INSULATOR (S/P)
8	35-2064	BUSHING, INSULATING (S/P)
9	25-7463	SCREW (S/P)
10	25-7437	SCREW (S/P)
10	21001136	SCREW, SWITCH/HOUSING (S/P)
11	12001187	SWITCH, LID/DOOR SAFETY SPIN
11	35-2904	PAD, LID SWITCH (S/P)
12	12001187	BRACKET, LID SWITCH
12	21001135	HOUSING, LID SWITCH (S/P)
13	25-7878	CLIP
14	21001134	LEVER, LID SWITCH
14	12001187	LEVER, LID SWITCH
15	21001281	DAMPER, SOUND PAD (S/P)
15	35-2739	<b>DESCONTINUADO</b>
16	21001167	DISPENSER, BLEACH (S/P)
17	35-0680	<b>DESCONTINUADO</b>
18	25-7893	SCREW (S/P)
19	35-2846	HINGE (S/P)
20	33-0930	PAD, TOP HINGE (S/P)
21	25-7796	CLAMP, PRESSURE SWITCH HOSE (S/P)
22	53-0643	PIN, LOCATOR (S/P)
23	25-7220	CLIP, CABINET TOP (S/P)
24	25-0224	NUT, LOCATOR PIN (S/P)
25	53-0643	PIN, LOCATOR (S/P)

26	35-2084	PANEL, FRONT (WHT) <b>(S/P)</b>
27	53-0120	CLIP, FRONT PANEL
28	33-2653	BUMPER, CABINET <b>(S/P)</b>
29	21001871	CABINET ASSY. (WHT) <b>(S/P)</b>
30	33-2653	BUMPER, CABINET <b>(S/P)</b>
31	21001871	SHIELD, REAR(NLA, ORDER CAB KIT) <b>(S/P)</b>
32	25-7733	SCREW <b>(S/P)</b>

**LATA400AAE TRANSMISION**



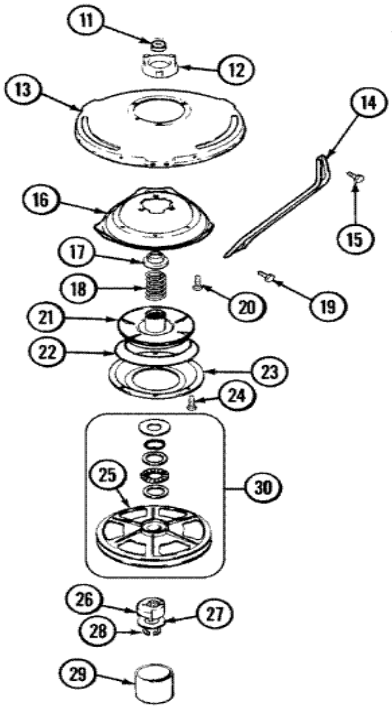
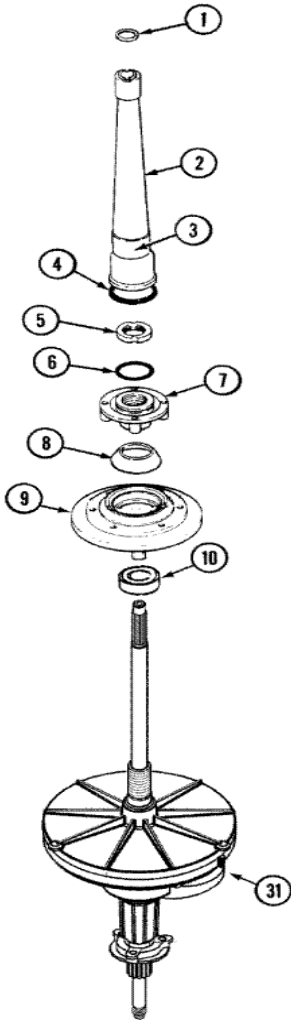


## LATA400AAE TRANSMISION

1	25-7941	``O`` RING
2	21001066	BEARING, CENTERPOST
3	35-2983	<b>DESCONTINUADO</b>
3	35-2792	CENTERPOST
4	33-6790	BEARING, AGITATOR
5	35-2906	SEAL, CENTERPOST BOTTOM
6	35-2791	NUT, SPIN TUBE
7	25-7938	``O`` RING, BASKET DRIVE HUB <b>(S/P)</b>
8	21002237	HUB, BASKET DRIVE
9	33-7224N	TUB SEAL/HUB ASSY (HT TRANS)
10	21002237	HOUSING, BEARING & SEAL
11	21002237	BEARING & SEAL HOUSING ASSY.
11	35-2205	BEARING, SPIN
12	25-7949	RING, RETAINING (AG. SHAFT)
13	25-7057	WASHER, FLAT
14	25-7057	WASHER, FLAT
15	25-7895	SCREW, SUSP HSG TO LWR BRG ASY <b>(S/P)</b>
16	35-2981	COVER, REINFORCEMENT <b>(S/P)</b>
18	35-2621	PLUG, OIL FILL <b>(S/P)</b>
19	25-7926	SCREW, COVER TO TRANS. HOUSING <b>(S/P)</b>
20	35-2971	TRANSMISSION COVER ASSY. <b>(S/P)</b>
20	35-2620	COVER, TRANSMISSION <b>(S/P)</b>
21	35-2903	<b>DESCONTINUADO</b>
21	35-3706	COUNTERWEIGHT <b>(S/P)</b>
22	35-0542	<b>DESCONTINUADO</b>
23	33-4293N	``O`` RING, DRIVE TUBE
24	35-3702	DRIVE TUBE ASSY. <b>(S/P)</b>
25	35-3804	LINKAGE ASSY.
26	LA-2176	<b>DESCONTINUADO</b>
27	25-7847	RING, RETAINING (CLUTCH ASSY.)
28	25-7415	<b>DESCONTINUADO</b>

29	33-6463	SPRING, ANTI-BACKUP
30	35-2001	PINION, DRIVE
31	35-3608	SPRING, CLUTCH
32	35-2692	DRIVE SHAFT & HUB ASSY. <b>(S/P)</b>
33	25-7274	WASHER, STEEL <b>(S/P)</b>
34	35-3825	WASHER, NYLON <b>(S/P)</b>
35	35-2070	WASHER, STEEL W/TABS <b>(S/P)</b>
36	25-7933	RING, RETAINING <b>(S/P)</b>
37	35-2527	GEAR, CLUSTER <b>(S/P)</b>
38	21001067	GEAR, CRANK <b>(S/P)</b>
39	35-2812	HOUSING, TRANSMISSION <b>(S/P)</b>
40	207843	SEAL, TRANSMISSION HOUSING(LIP)
41	21001995	TRANSMISSION HSG ASSY W/LWR BR
41	12001562	BEARING ASSY. (LOWER)
42	21001518	SUPPORT, TUB <b>(S/P)</b>
43	21001164	BRACE, TUB <b>(S/P)</b>
43	35-2799	BRACE, TUB
45	21001163	HOUSING, SUSPENSION <b>(S/P)</b>
45	35-3698	HOUSING, SUSPENSION
46	35-2017	RETAINER, BRAKE SPRING
47	21001910	SPRING, BRAKE
48	21001858	SCREW 5/16-18X3/4 <b>(S/P)</b>
50	35-6714	BRAKE ROTOR & LINING ASSY
51	21002026	SNUBBER
52	35-6918	STATOR, BRAKE
53	25-7900	SEMS <b>(S/P)</b>
54	12002213	PULLEY, DRIVE
56	35-2132	WASHER, 1.25ODX.530IDX.032
56	35-2082	WASHER, 1.25ODX.530IDX.062
57	25-7854	RING, RETAINING
58	35-2007	CAP, DUST
59	12002213	THRUST BEARING KIT
60	35-2025	PLATE, REINFORCEMENT <b>(S/P)</b>
61	35-3384	STOP, ANTIBACKUP CAM <b>(S/P)</b>
62	21001995	TRANSMISSION ASSY

**LATA400AAE TRANSMISION**



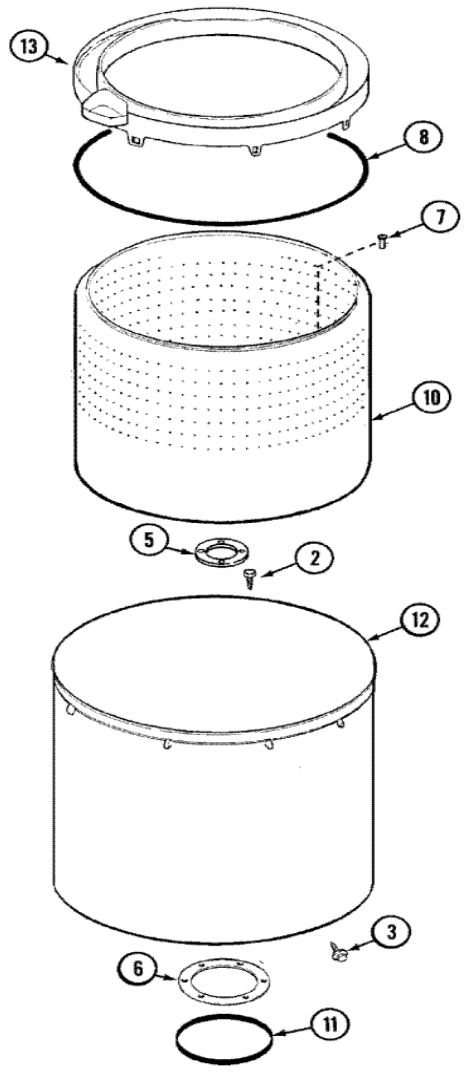
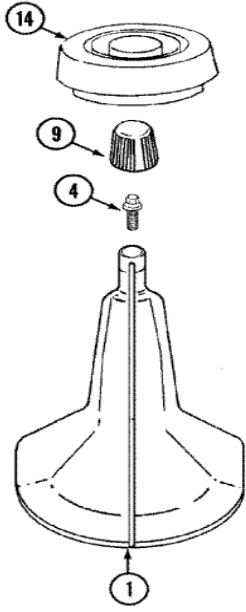


## LATA400AAE TRANSMISION

1	25-7941	``O`` RING
3	35-2983	CENTERPOST ASSY.
3	33-6790	BEARING, AGITATOR
4	35-2906	SEAL, CENTERPOST BOTTOM
5	35-2791	NUT, SPIN TUBE
6	25-7938	``O`` RING, BASKET DRIVE HUB <b>(S/P)</b>
7	21002237	HUB, BASKET DRIVE
8	33-7224N	TUB SEAL/HUB ASSY (HT TRANS)
9	12002237	HOUSING, BEARING & SEAL
10	35-2205	BEARING, SPIN
10	21002237	BEARING & SEAL HOUSING ASSY.
11	207843	SEAL, TRANSMISSION HOUSING(LIP)
12	12001562	BEARING ASSEMBLY (LWR)
12	21001995	TRANSMISSION HSG ASSY W/LWR BR
12	12001562	BEARING ASSY. (LOWER)
13	21001518	SUPPORT, TUB <b>(S/P)</b>
14	21001164	BRACE, TUB <b>(S/P)</b>
16	21001163	HOUSING, SUSPENSION <b>(S/P)</b>
17	35-2017	RETAINER, BRAKE SPRING
18	21001910	SPRING, BRAKE
21	35-2948	BRAKE ROTOR & LINING ASSY
22	21002026	SNUBBER
23	35-6918	STATOR, BRAKE
25	12002213	PULLEY, DRIVE
27	35-2082	WASHER, 1.25ODX.530IDX.062
27	35-2132	WASHER, 1.25ODX.530IDX.032
28	25-7854	RING, RETAINING
29	35-2007	CAP, DUST
30	12002213	THRUST BEARING KIT
31	21001535	TRANSMISSION ASSY., DUAL DRIVE



**LATA400AAE TINA**





LATA400AAE TINA

1	35-3580	AGITATOR
2	21001063	SCREW SHOULDER (S/P)
3	22002933	SCREW (S/P)
4	25-8004	SCREW, AGITATOR RETENTION
5	35-3685	GASKET, BASKET TO CENTERPOST (S/P)
6	35-3686	GASKET, TUB TO HOUSING (S/P)
7	25-7965	SCREW (S/P)
8	35-2328	SEAL, TUB TOP
9	35-2733	CAP, AGITATOR
10	35-3687	<b>DESCONTINUADO</b>
11	35-2978	SEAL, TUB/HOUSING (S/P)
12	35-3700	TUB ASSEMBLY (PLASTIC) (S/P)
13	35-3578	TOP, TUB
13	35-2262	<b>DESCONTINUADO</b>
14	35-2550	DISPENSER, RINSE