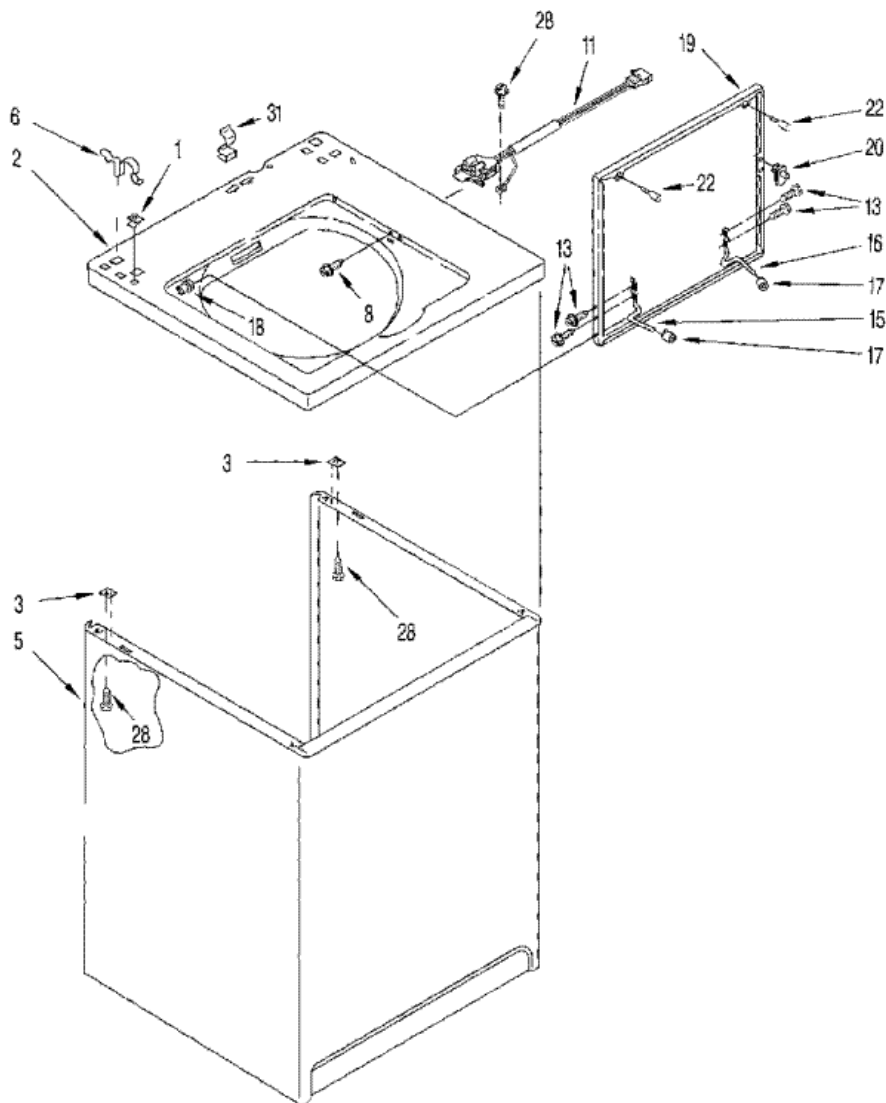


Distribuidor Autorizado

SurteRápido.com

Venta de Refacciones
Electrodomesticas

LBR5232EQ1 GABINETE





LBR5232EQ1 GABINETE

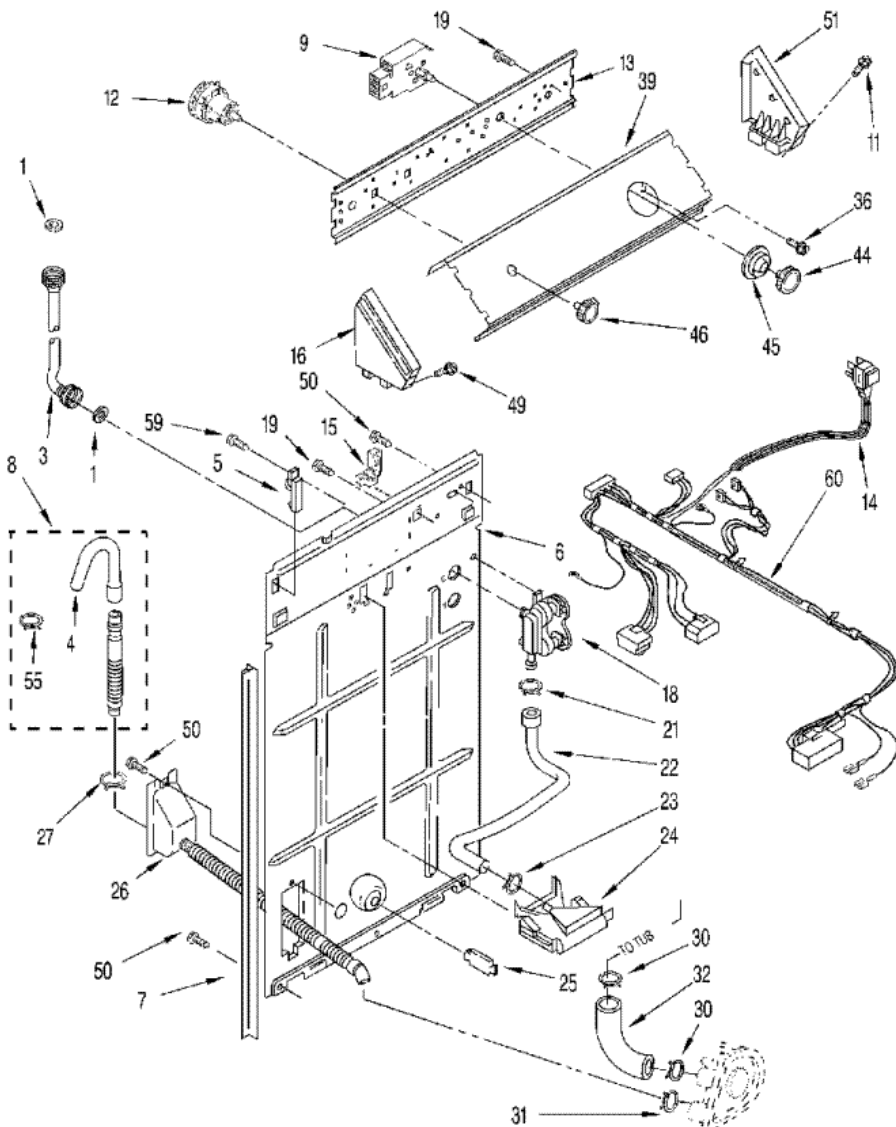
1	357213	NUT, PUSH-IN (2) (S/P)
2	3950280	TOP (FOR WHITE MODEL) (S/P)
2	3950281	TOP (FOR ALMOND MODEL) (S/P)
3	62750	SPACER, CABINET TO TOP (4) (S/P)
5	63128	CABINET (FOR WHITE MODEL) (S/P)
5	63129	CABINET (FOR ALMOND MODEL) (S/P)
6	62780	CLIP, TOP & CABINET & REAR PANEL (2)
8	3356311	SCREW & WASHER, LID SWITCH (2) (S/P)
11	3949247	SWITCH, LID
13	3351355	SCREW, LID HINGE MOUNTING (4) (S/P)
15	54584	HINGE, LID (L.H.) (S/P)
16	54583	HINGE, LID (R.H.) (S/P)
17	19119	BUMPER, LID HINGE (S/P)
18	21258	BEARING, LID HINGE (2) (S/P)
19	3957564	LID (FOR ALMOND MODEL) (S/P)
19	3957563	LID (FOR WHITE MODEL) (S/P)
20	358684	STRIKE, LID SWITCH
22	93770	BUMPER, LID (2)
28	384435	SCREW, 10-16 X 1/2 (4) (S/P)
31	90016	CLIP, HARNESS (S/P)

Distribuidor Autorizado

SurteRápido.com

Venta de Refacciones
Electrodomesticas

LBR5232EQ1 TABLERO



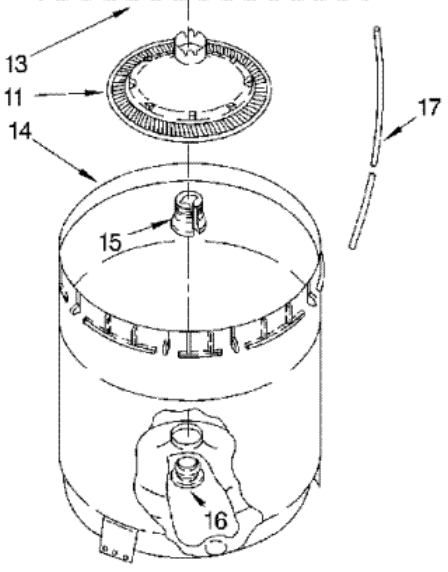
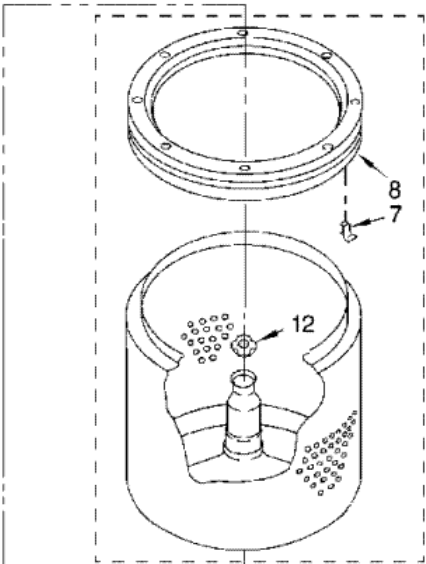
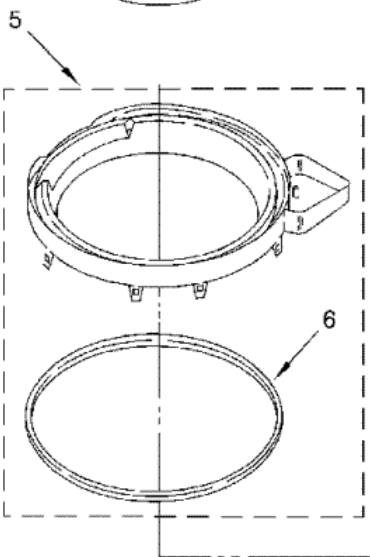
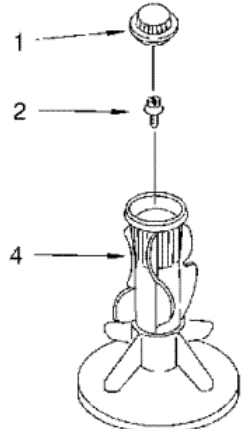


LBR5232EQ1 TABLERO

1	16123	WASHER, WATER INLET HOSE (4) (S/P)
3	89503	HOSE, WATER INLET (2) ((RED COUPLER)
4	3357027	NOZZLE-DRAIN HOSE (S/P)
5	387402	HINGE, CONSOLE (2)
6	3357976	PANEL, REAR (S/P)
7	62747	PAD, REAR PANEL (S/P)
8	661577	HOSE, DRAIN (9 FT.) (NOT INCLUDED) (S/P)
8	285664	HOSE, DRAIN (4 FT.)
8	285702	EXTENSION, DRAIN HOSE (21 INCHES.) (S/P)
9	3951154	TIMER, CONTROL (60 HZ.) (S/P)
11	90767	SCREW, 8A X 3/8 (S/P)
12	3366849	SWITCH, WATER LEVEL
13	3948814	BRACKET, CONTROL (S/P)
14	285800	CORD, POWER
15	285777	STRAIN RELIEF, POWER CORD (S/P)
16	285846	CAP, END (L.H.) (BLACK/CHROME)
16	285848	CAP, END (L.H.) (ALMOND/CHROME) (S/P)
18	285805	VALVE, WATER MIXING
19	90864	SCREW, 10-24 X 3/8 (2) (S/P)
21	370451	CLAMP, HOSE (S/P)
22	3357328	HOSE, VACUUM BREAK
23	371503	CLAMP, HOSE (S/P)
24	3347034	BREAK, VACUUM
25	8519200	SUPPORT, REAR PANEL
26	8317940	HOSE-CORRUGATED ASSY.
27	356138	CLAMP, HOSE (S/P)
30	371502	CLAMP, HOSE (S/P)
31	660628	CLAMP, HOSE (S/P)
32	285871	HOSE, PUMP TO TUB
36	3400808	SCREW, TIMER MOUNTING (8-18 X 5/16) (S/P)
39	3947798	PANEL, CONSOLE (FOR WHITE MODEL) (S/P)
39	3947800	PANEL, CONSOLE (FOR ALMOND MODEL) (S/P)
44	3957823	KNOB, TIMER (FOR ALMOND MODEL)

44	3957821	KNOB, TIMER (FOR WHITE MODEL) (S/P)
45	3950763	DIAL, TIMER (FOR ALMOND MODEL)
45	3957841	DIAL, TIMER (FOR WHITE MODEL) (S/P)
46	3950760	KNOB, CONTROL (FOR ALMOND MODEL) (S/P)
46	3950759	KNOB, CONTROL (FOR WHITE MODEL) (S/P)
49	388326	SCREW, 8-18 X 1.25 (PANEL TO TOP) (S/P)
50	62863	SCREW, 10-16 X 3/8 (S/P)
51	3358514	CAP, END (R.H.) (ALMOND/CHROME) (S/P)
51	285846	CAP, END (R.H.) (BLACK/CHROME)
55	3357331	CLAMP, DRAIN HOSE (S/P)
59	3357011	SCREW, 10-16 X 1/2 (S/P)
60	3951383	HARNESS, WIRING (S/P)

LBR5232EQ1 TINA

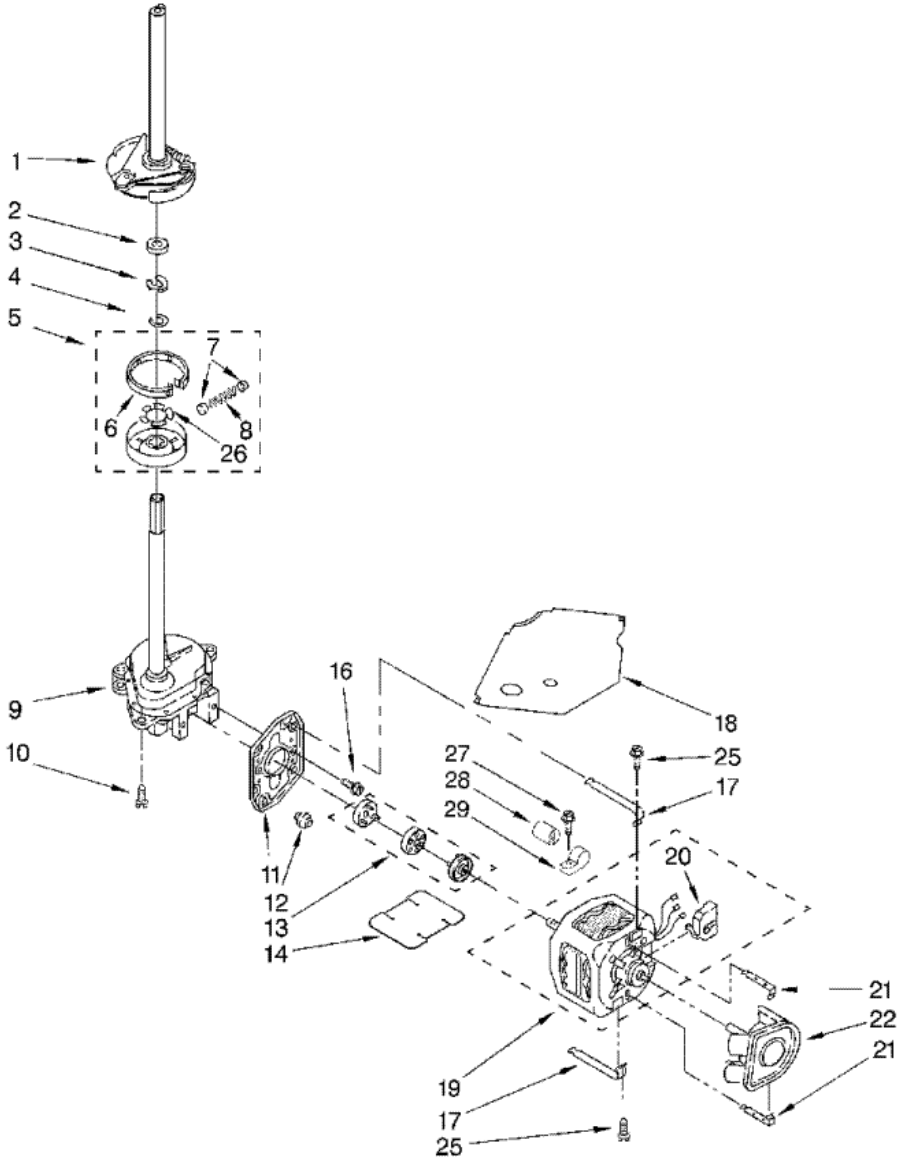




LBR5232EQ1 TINA

1	3428527	CAP, AGITATOR
2	358237	SCREW & WASHER (5-16-24 X 1)
4	63235	AGITATOR
5	3360611	TUB RING & GASKET ASSY. (S/P)
6	3359586	GASKET, TUB RING
7	3956205	BALANCE RING
8	8519815	CLIP, BALANCE RING (8) (S/P)
11	285868	PLATE, FILTER
12	21366	NUT, SPANNER
13	3956207	BASKET & BALANCE RING (S/P)
14	63125	TUB (S/P)
15	389140	BLOCK, BASKET DRIVE
16	383727	GASKET, CENTER POST
17	353244	HOSE, PRESSURE SWITCH

LBR5232EQ1 MOTOR





LBR5232EQ1 MOTOR

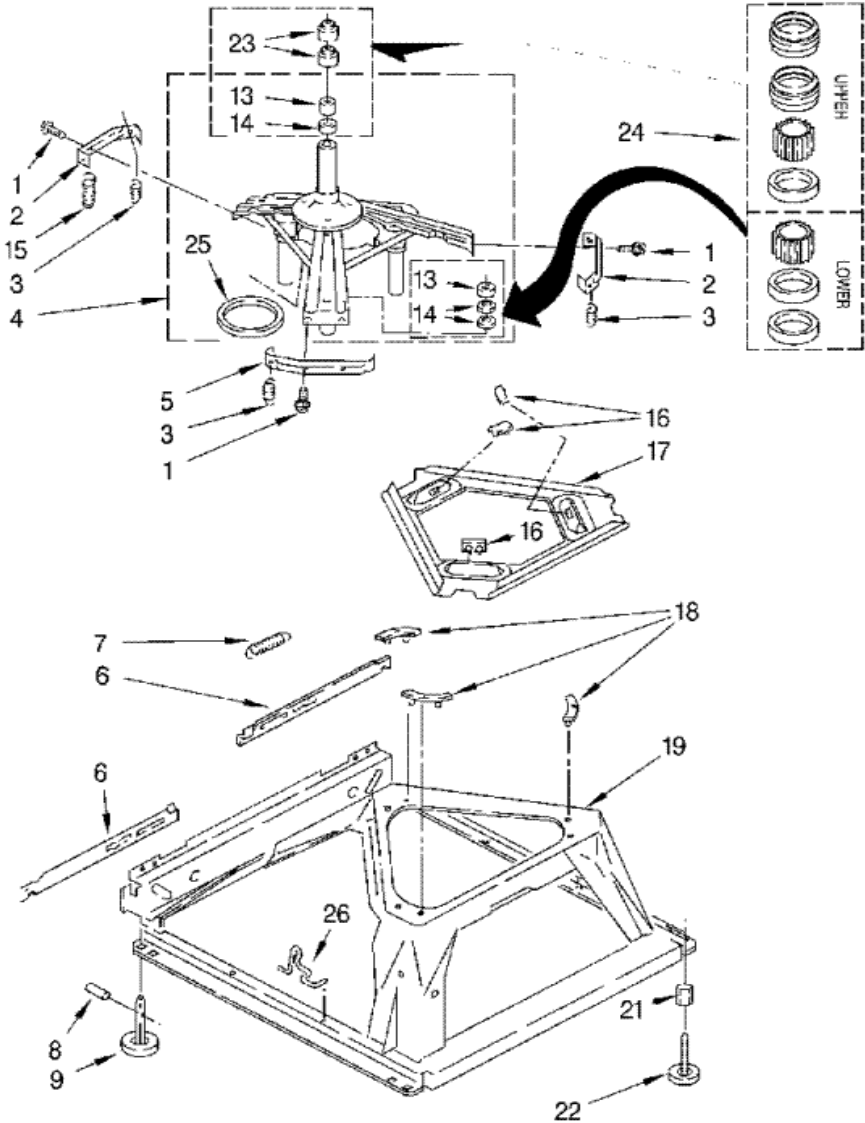
1	285792	BRAKE & DRIVE TUBE (COMPLETE)
2	63292	WASHER, SPIN TUBE THRUST
3	62697	RING, SPIN TUBE SUPPORT
4	63283	RING, RETAINER (S/P)
5	285785	CLUTCH (COMPLETE)
6	285790	BAND & LINING, CLUTCH (INCLUDES ILLUS. 7 & 8)
7	62646	CAP, CLUTCH SPRING (2) (S/P)
8	3946792	SPRING, CLUTCH (S/P)
9	3360629	GEARCASE (COMPLETE)
10	3357334	SCREW, GEARCASE TO BASE (3) (S/P)
11	62611	PLATE, MOTOR MOUNT TO GEARCASE
12	62691	GROMMET, MOTOR (4)
13	285753	COUPLING, MOTOR AND ISOLATION COUPLING
14	3946532	SHIELD, MOTOR (S/P)
16	3357334	SCREW (S/P)
17	3349637	RETAINER, MOTOR (2)
18	3362089	SHIELD, TUB TO MOTOR (S/P)
19	389248	MOTOR, MAIN DRIVE
20	8529896	SWITCH, MAIN DRIVE MOTOR
21	62700	RETAINER, PUMP (2)
22	3363394	PUMP (COMPLETE)
25	3387485	SCREW (2) 10-16 X 5/8 (S/P)
26	3355454	CLIP, ANTI-RATTLE (S/P)
27	62863	SCREW, 10-16 X 3/8 (S/P)
28	8572717	CAPACITOR (S/P)
29	357030	CLAMP, CAPACITOR (S/P)

Distribuidor Autorizado

SurteRápido.com

Venta de Refacciones
Electrodomesticas

LBR5232EQ1 BASE

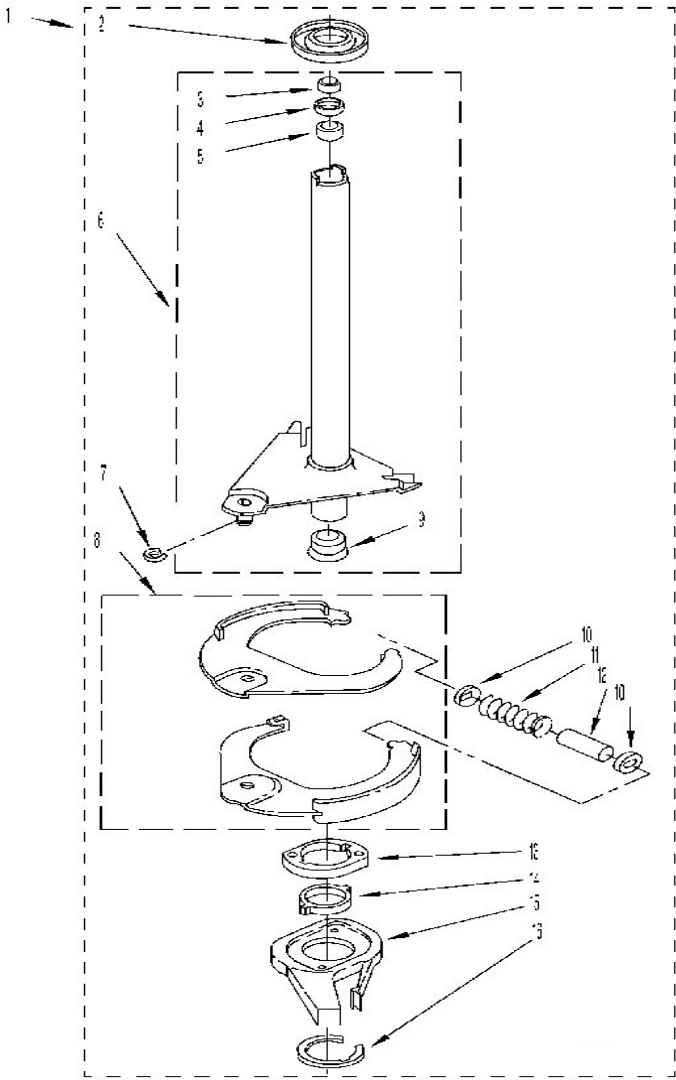




LBR5232EQ1 BASE

1	3387485	SCREW, BRACKET MOUNTING (10-16 X 5/8) (S/P)
2	64067	BRACKET, SPRING OUTER (2)
3	63907	SPRING, SUSPENSION (3)
4	280184	SUPPORT & BRAKE, TUB
5	64065	BRACKET, SPRING OUTER (L.F.)
6	63138	LINK, LEVELING MECHANISM (2) (S/P)
7	8316845	SPRING, LEVELING MECHANISM
8	62837	PIN, KNURLED (S/P)
9	285244	FOOT, REAR (2)
13	8546455	BEARING, CENTERPOST (2) (S/P)
14	359449	SEAL, CENTERPOST (3)
15	388492	SPRING, COUNTERWEIGHT
16	285219	PAD, PLATE
17	3946509	PLATE, SUSPENSION (INCLUDES ILLUS. 16)
18	285744	PAD, BASE
19	285459	BASE ASSEMBLY (S/P)
21	62739	NUT, LOCK (3/8-16) (2)
22	389102	FOOT, FRONT (2)
23	91938	SEAL, CENTERPOST (2)
24	285203	CENTERPOST BEARING KIT
25	63134	RING, SOUND DEADENING
26	63806	RETAINER, SUSPENSION SPRING

LBR5232EQ1 FLECHA HUECA





LBR5232EQ1 FLECHA HUECA

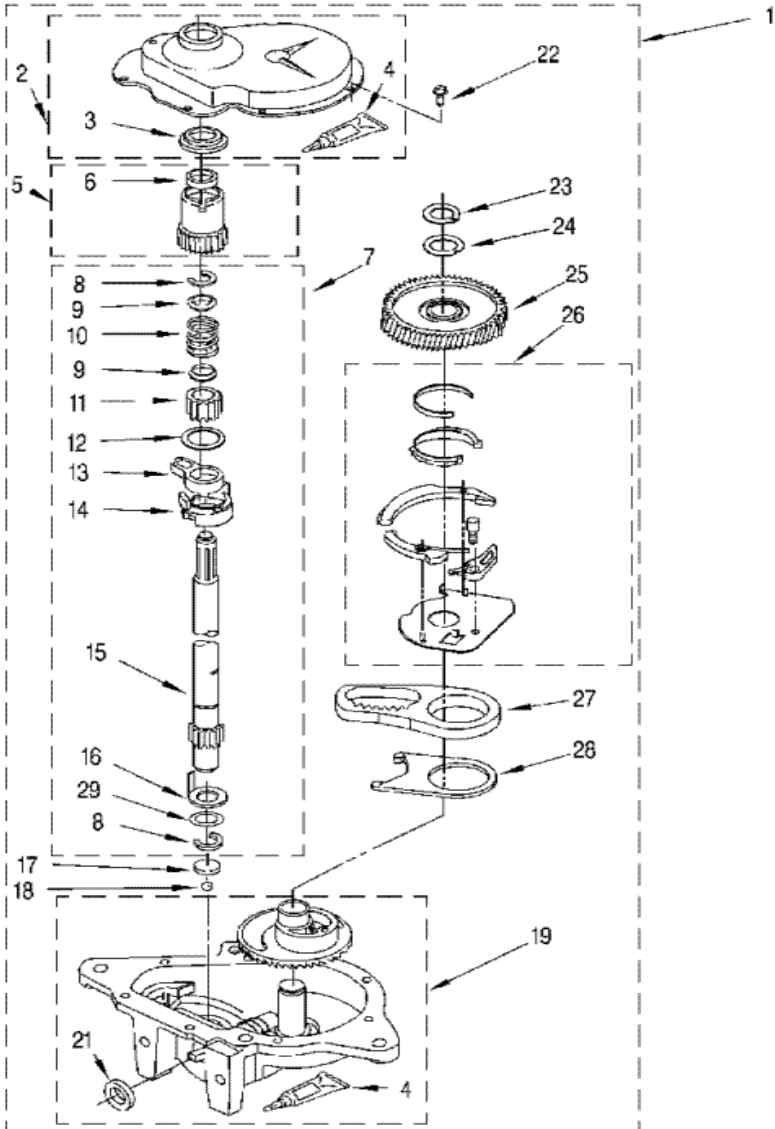
1	285792	BRAKE AND DRIVE TUBE (COMPLETE)
2	62658	RING, THRUST
3	91939	SEAL, OIL
4	356427	SEAL, DRIVE TUBE
5	356937	SPACER, DRIVE TUBE
6	64208	TUBE, BASKET DRIVE
7	64035	RING, RETAINING (S/P)
8	285438	SHOE, BRAKE
9	62703	``T`` BEARING, SPIN TUBE
10	285658	CAP, BRAKE SPRING (2) (S/P)
11	62647	SPRING, BRAKE
12	285658	SLEEVE, BRAKE SPRING (S/P)
13	661516	CAM, BRAKE RELEASE
14	63022	SLEEVE, CAM
15	64194	DRIVER, BRAKE CAM
16	90368	RING, RETAINING
16	285208	LUBRICANT (S/P)

Distribuidor Autorizado

SurteRápido.com

Venta de Refacciones
Electrodomesticas

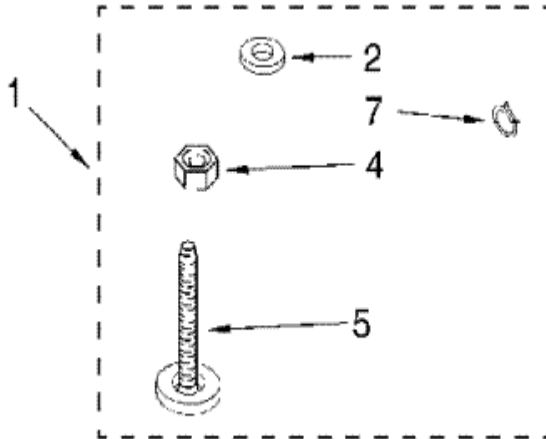
LBR5232EQ1 TRANSMISION





LBR5232EQ1 TRANSMISION

1	3360629	GEARCASE (COMPLETE)
2	285202	COVER, GEARCASE (S/P)
3	3349985	SEAL, GEARCASE COVER
4	285195	SEALER, GASKET (.20 FL. OZ.) (6 ML)
5	285362	PINION, SPIN (INCLUDES ILLUS. 25)
6	356427	SEAL, SPIN PINION
7	389387	SHAFT, AGITSTOR (COMPLETE)
8	90369	RING, RETAINING (2)
9	62677	RETAINER, SPRING
10	62676	SPRING, AGITATOR
11	285509	DESCONTINUADO
12	62619	WASHER, AGITATOR GEAR (S/P)
13	285206	CAM FOLLOWER (INCLUDES 14)
14	285206	CAM, AGITATE (INCLUDES 13)
15	285509	DESCONTINUADO
16	62618	WASHER, CAM THRUST
17	285205	BEARING, THRUST
18	285205	BALL, BEARING
19	285515	BOTTOM AND PINION, GEARCASE (S/P)
21	285352	SEAL, THRUST PLUG
22	3351614	SCREW, GEARCASE (S/P)
23	285765	RING, RETAINING
24	285735	WASHER KIT, THRUST
25	285362	GEAR, SPIN
26	388253	NEUTRAL ASSEMBLY
27	3949609	RACK, CONNECTING
28	62621	ACTUATOR, SHIFT
29	388815	WASHER, INTERMEDIATE (S/P)



1	285654	MISCELLANEOUS PARTS BAG (S/P)
2	16123	WASHER, INLET HOSE (1-1/16 X 5/8) (4) (S/P)
4	62739	NUT, LOCK (2) (3/8-16)
5	389102	FOOT, FRONT (2)
7	356138	CLAMP, HOSE (S/P)