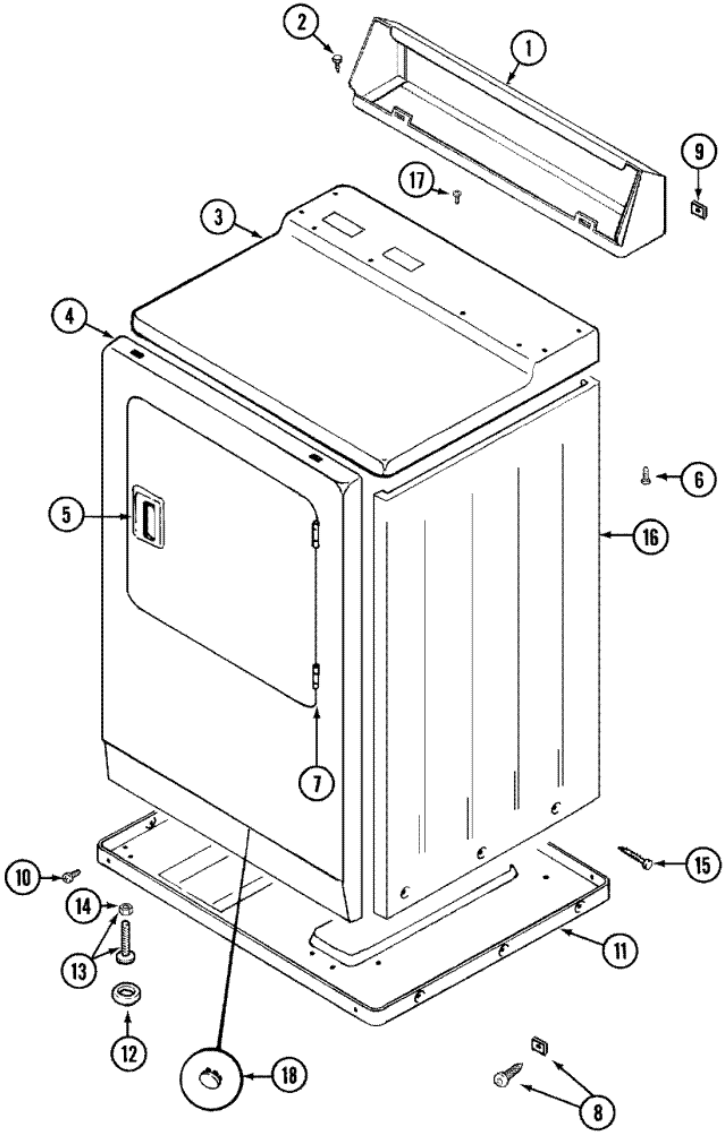


LDE5914ACE GABINETE





LDE5914ACE GABINETE

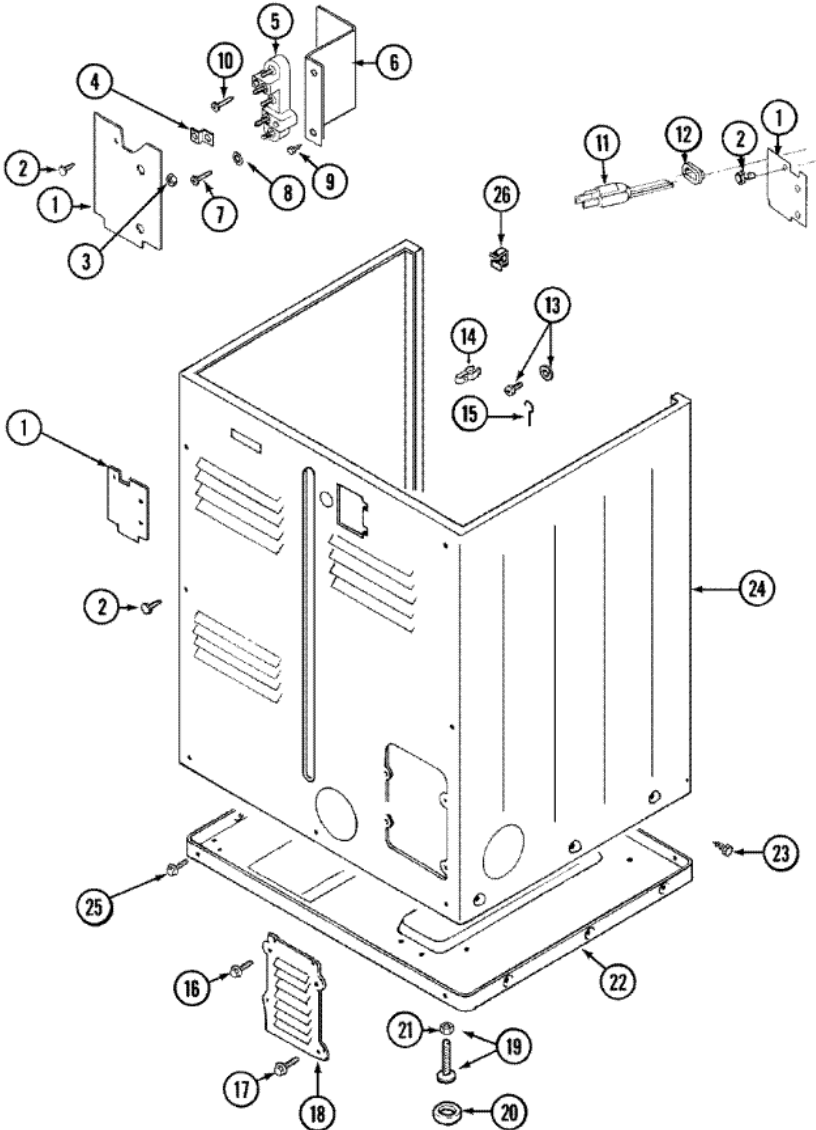
1	Y305193	CONSOLE (WHT) (S/P)
2	216423	SCREW (S/P)
3	33001165	DESCONTINUADO
4	33001221	PAD, SOUND DAMPER (S/P)
4	33001242	PANEL, FRONT (WHT) (S/P)
5	33001241	HANDLE, DOOR (WHT) (S/P)
6	33001241	HANDLE, DOOR (WHT) (S/P)
7	33001230	HINGE, DOOR (S/P)
8	204439	SCREW & FSTNER ASSY(FRT.PANEL)
9	215075	FASTENER, CNTRL PNL TO CONSOLE (S/P)
10	Y313561	DESCONTINUADO
10	Y310632	SCREW (S/P)
11	Y303361	BASE ASSY. (S/P)
12	314137	FOOT, RUBBER
13	305086	ADJUSTABLE LEG & NUT
14	Y052740	NUT (S/P)
15	213007	SCREW, CABINET (S/P)
16	33001159	CABINET (WHT) (S/P)
17	210186	DESCONTINUADO
18	33001132	PLUG, SIGHT HOLE (WHT) (S/P)

Distribuidor Autorizado

SurteRápido.com

Venta de Refacciones
Electrodomesticas

LDE5914ACE GABINETE





LDE5914ACE GABINETE

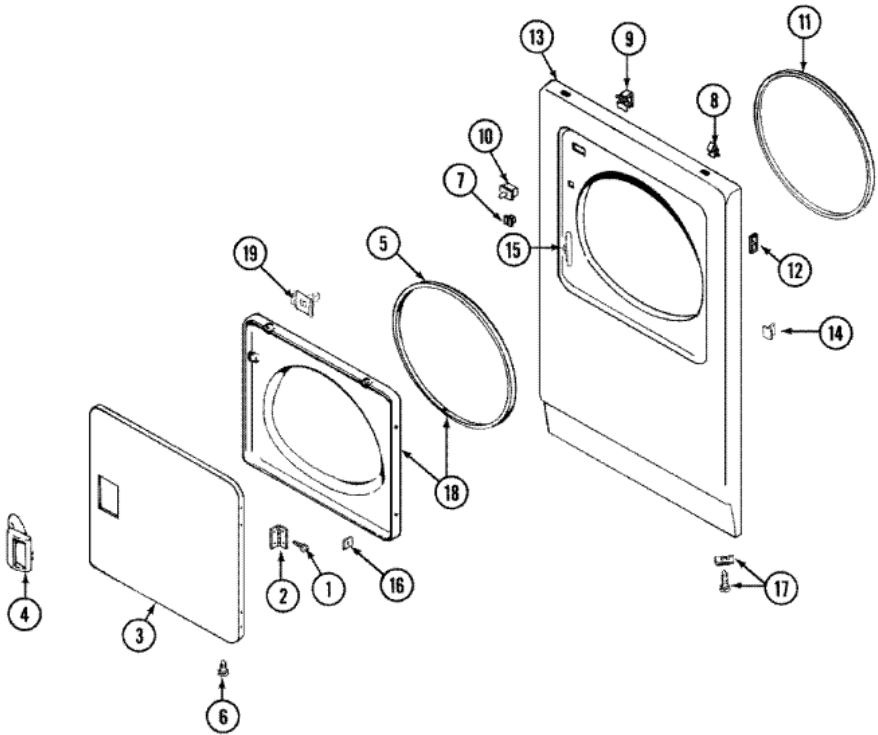
1	Y312905	COVER, TERMINAL (S/P)
2	Y313561	DESCONTINUADO
3	311484	NUT, TERMINAL BLOCK (S/P)
4	Y312184	STRAP, GROUND (S/P)
5	400008	BLOCK, TERMINAL (S/P)
6	Y312904	BRACKET, TERMINAL BLOCK (S/P)
7	Y312209	SCREW, No.10-24 X 3/4 INCH (S/P)
8	Y311270	WASHER, TERMINAL BLOCK (S/P)
9	Y310632	SCREW (S/P)
10	33001245	DESCONTINUADO
13	303846	SCREW & WASHER ASSY. (S/P)
14	301548	CLAMP, GROUND (W/SCREW) (S/P)
15	204807	GRND.WIRE, SUPP.PLTE TO TOP CVR (S/P)
16	Y313559	SCREW (S/P)
17	211294	SCREW (S/P)
18	Y312951	COVER, ACCESS (S/P)
19	305086	ADJUSTABLE LEG & NUT
20	314137	FOOT, RUBBER
21	Y052740	NUT (S/P)
22	Y303361	BASE ASSY. (S/P)
23	213007	SCREW, CABINET (S/P)
24	33001327	CABINET (WHT) (S/P)
25	Y313561	DESCONTINUADO
25	Y310632	SCREW (S/P)



LDE5914ACE TABLERO

1	214872	PALNUT, END CAP (S/P)
2	33001237	PLATE, SUPPORT (S/P)
3	210932	SCREW, No.8 X 9/16 CTSK (S/P)
4	22001291	END CAP, CTRL. PNL. (RT-WHT) (S/P)
4	22001565	CAP, END (LT-WHT) (S/P)
4	22001564	CAP, END (RT-WHT) (S/P)
4	22001289	END CAP, CTRL. PNL. (LT-WHT) (S/P)
5	214894	FASTENER, END CAP (S/P)
6	33001068	DESCONTINUADO
7	33001183	SKIRT, TIMER DIAL (WHT) (S/P)
8	33001255	KNOB, TIMER (WHT) (S/P)
9	312273	NUT (S/P)
10	22001446	CAP, TIMER KNOB (WHT)
11	33001187	BUTTON (WHT) (S/P)
12	214897	PAD, CONTROL PANEL (S/P)
13	315317	SCREW, SWITCHES (S/P)
14	33001036	TIMER (S/P)
15	210186	DESCONTINUADO
16	204807	GRND.WIRE, SUPP.PLTE TO TOP CVR (S/P)
18	33001623	BUZZER (S/P)
19	315317	SCREW, SWITCHES (S/P)
20	33001232	DESCONTINUADO
21	33001141	WIRE HARNESS, MAIN (S/P)
21	33001535	HARNESS, WIRE (S/P)
21	33001339	WIRE HARNESS, MAIN (S/P)
22	22001268	KNOB ASSY. (WHT) (S/P)
23	33001225	SWITCH, TEMP. (4 POSITION) (S/P)
24	315317	SCREW, SWITCHES (S/P)
25	33001047	DESCONTINUADO
26	33001212	BOARD, CONTROL-MOISTURE SENSOR
27	315317	SCREW, SWITCHES (S/P)
28	33001104	RESISTOR (MED. TEMP) (S/P)
29	16000327	DESCONTINUADO

LDE5914ACE PUERTA

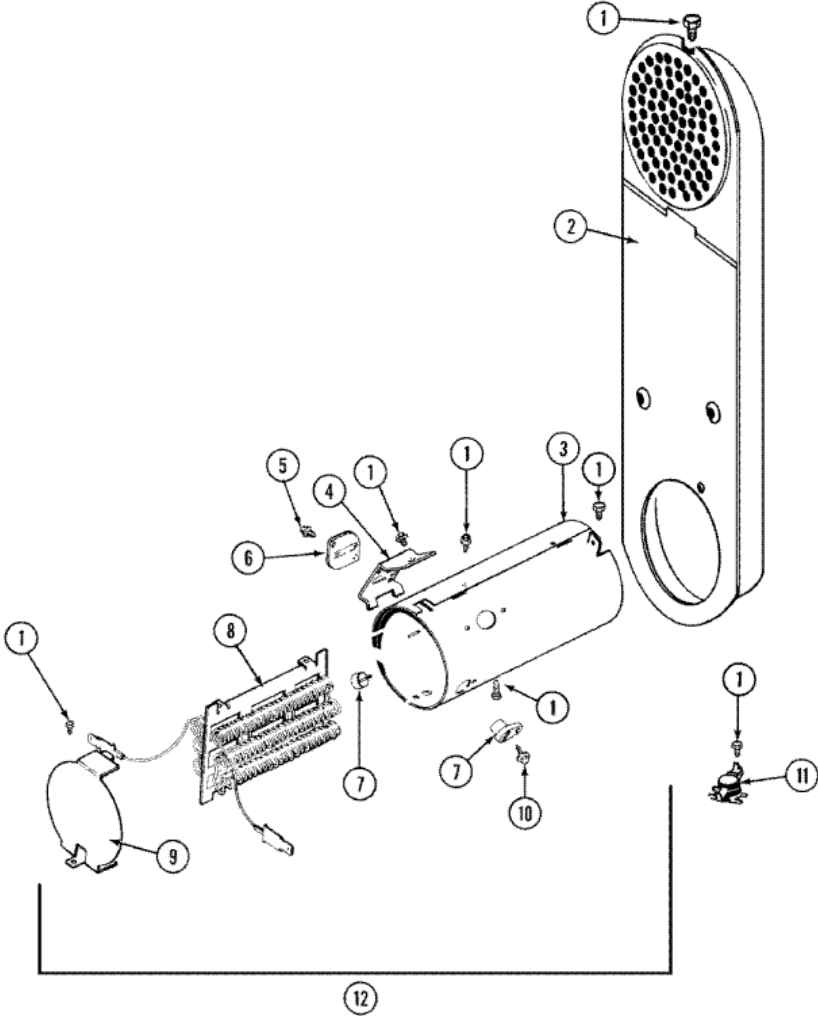




LDE5914ACE PUERTA

1	Y314062	SCREW (S/P)
2	33001230	HINGE, DOOR (S/P)
3	33001240	DOOR (WHT) (S/P)
3	22001817	PAD, SOUND DAMPER (S/P)
4	33001241	HANDLE, DOOR (WHT) (S/P)
5	33001131	SEAL, DOOR (S/P)
6	33002342	PLUG, SIGHT HOLE (WHT) (S/P)
7	LA-1003	CATCH, DOOR (FEMALE)
8	22001650	FASTENER, PANEL
9	Y310376	CLIP, WIRE HARNESS (S/P)
10	33001508	SWITCH, DOOR
10	Y305754	SWITCH, DOOR (S/P)
11	314937	SEAL, FRONT PANEL
12	12001163	SCREW, PLASTIC (S/P)
13	22001817	PAD, SOUND DAMPER (S/P)
13	33001242	PANEL, FRONT (WHT) (S/P)
14	LA-1003	PLUG, DOOR CATCH
15	33001175	COVER, HINGE HOLE (WHT) (S/P)
16	Y313910	CLIP, DOOR LINER TO OUTER PNL (S/P)
17	204439	SCREW & FSTNER ASSY(FRT.PANEL)
18	33001243	DESCONTINUADO
19	33001305	STRIKE, DOOR (W/BRACKET) (S/P)

LDE5914ACE RESISTENCIA





LDE5914ACE RESISTENCIA

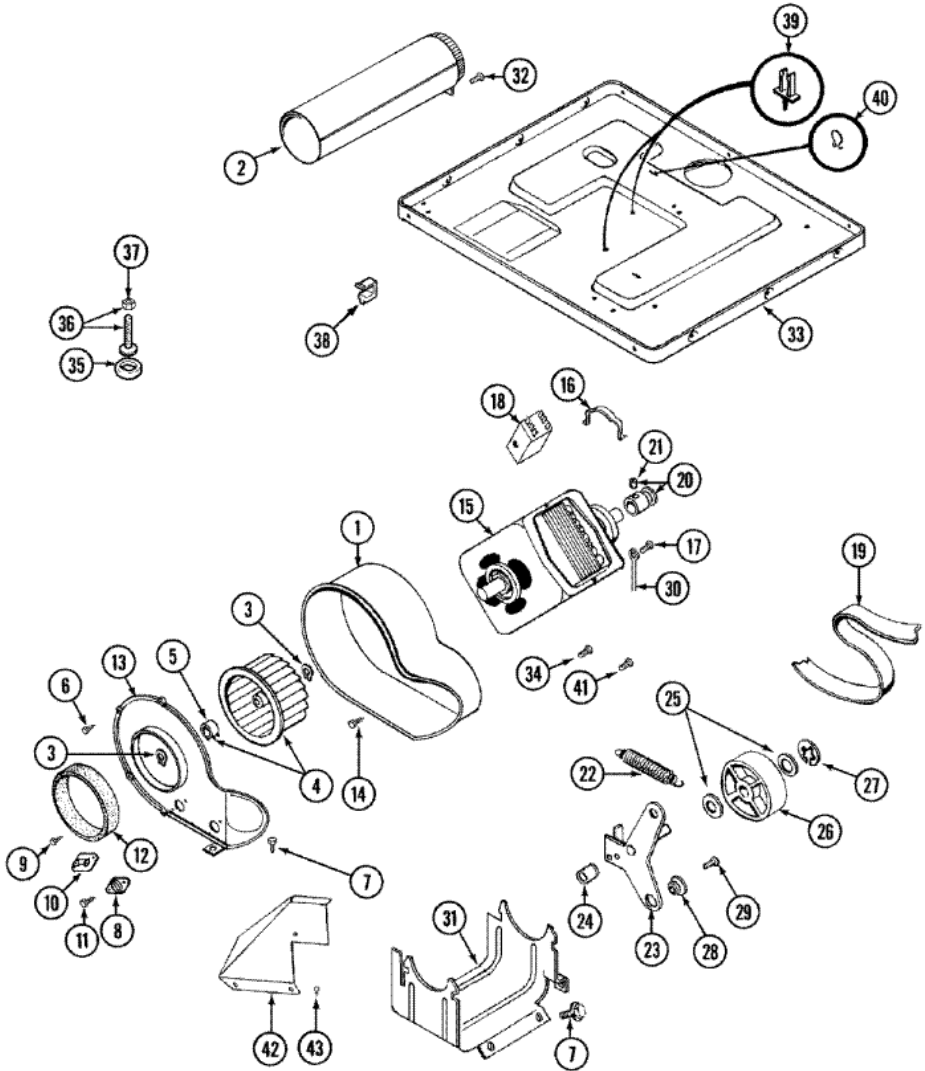
1	211294	SCREW (S/P)
2	308503	INLET DUCT ASSY. (S/P)
3	314995	HEATER ENCLOSURE (S/P)
4	315346	BRACKET, THERMAL FUSE (S/P)
5	314848	SCREW (S/P)
6	307473	FUSE, THERMAL
7	314998	INSULATOR, TERMINAL (S/P)
8	308612	HEATER SUB-ASSEMBLY (240V)
9	314999	SHIELD, RADIANT (S/P)
10	314554	SCREW (S/P)
11	303396	THERMOSTAT, HI-LIMIT (ELEC)
12	Y308613	HEATER SUB-ASSEMBLY (208V) (S/P)
12	307178	HEATER ASSEMBLY(COMPLETE 240V)
12	Y308590	CONVERSION KIT (240V TO 208V) (S/P)

Distribuidor Autorizado

SurteRápido.com

Venta de Refacciones
Electrodomesticas

LDE5914ACE MOTOR





LDE5914ACE MOTOR

1	312893	HOUSING, BLOWER
2	Y303442	DESCONTINUADO
3	410233	RING, RETAINING (S/P)
4	303836	BLOWER WHEEL ASSEMBLY & CLAMP
5	312967	CLAMP, BLOWER HOUSING
6	Y312961	SCREW (S/P)
7	Y313561	DESCONTINUADO
8	306911	THERMOSTAT, (ELEC) MULTI-TEMP
9	211294	SCREW (S/P)
10	306604	CUT-OFF, THERMAL (S/P)
11	314848	SCREW (S/P)
12	Y312901	SEAL, BLOWER
13	314846	COVER, BLOWER HOUSING (S/P)
14	Y310632	SCREW (S/P)
15	Y303358	MOTOR (S/P)
16	Y015825	CLIP, MOTOR (S/P)
17	910343	SCREW, GROUND WIRE (S/P)
18	Y303877	DESCONTINUADO
18	306207	DESCONTINUADO
18	Y303879	SWITCH, MOTOR STARTPROD. (S/P)
19	3-12959	BELT, TUMBLER & MOTOR
20	Y305185	PULLEY, MOTOR (W/SET SCREW) (S/P)
21	Y053241	SET SCREW, PULLEY (S/P)
22	303945	IDLER SPRING ASSEMBLY
23	303363	IDLER ARM & SHAFT ASSY.
24	Y313582	SPACER, IDLER BRACKET (S/P)
25	Y312527	WASHER, IDLER SHAFT (QTY-1) (S/P)
26	303705	PULLEY, IDLER
27	312958	RETAINING RING, IDLER SHAFT (S/P)
28	Y312894	SLEEVE, IDLER ARM (S/P)
29	Y014874	SCREW (S/P)
30	901220	WIRE, GROUND (S/P)
31	312897	DESCONTINUADO

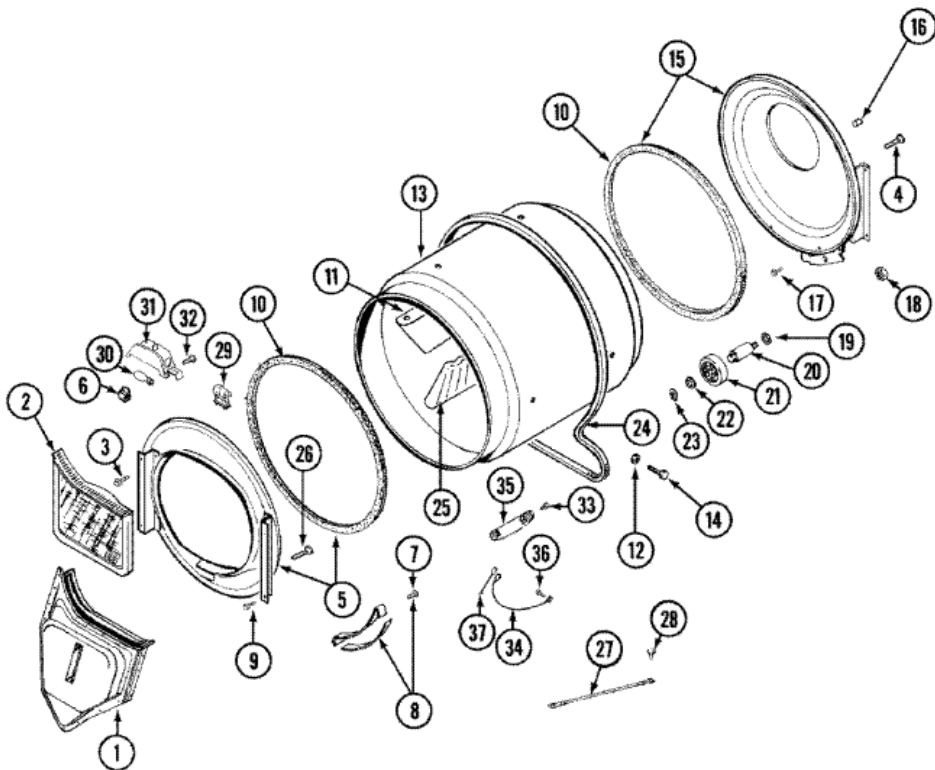
32	Y310632	SCREW (S/P)
33	Y305084	BASE (S/P)
34	211294	SCREW (S/P)
35	314137	FOOT, RUBBER
36	305086	ADJUSTABLE LEG & NUT
37	Y052740	NUT (S/P)
38	Y310376	CLIP, WIRE HARNESS (S/P)
39	22003298	RETAINER, WIRE (S/P)
40	410490	SPRING, WIRE HARNESS (S/P)
41	Y312961	SCREW (S/P)
42	315122	COVER, THERMOSTAT (S/P)
43	Y310632	SCREW (S/P)

Distribuidor Autorizado

SurteRápido.com

Venta de Refacciones
Electrodomesticas

LDE5914ACE TAMBOR





LDE5914ACE TAMBOR

1	33001016	DUCT ASSY., OUTLET (S/P)
2	33002970	FILTER, LINT
3	313764	DESCONTINUADO
5	33001423	FRONT ASSY., TUMBLER (S/P)
6	Y310376	CLIP, WIRE HARNESS (S/P)
7	210720	RIVET (S/P)
8	306508	TUMBLER BEARING KIT
10	314820	SEAL, TUMBLER
11	33001012	BAFFLE (SHORT) (S/P)
12	314158	WASHER (S/P)
13	33001108	DRYER TUMBLER, W/O BAFFLES (S/P)
14	Y310759	SCREW (S/P)
15	33001178	BACK, TUMBLER (W/SEAL) (S/P)
16	313915	COVER, THREAD (S/P)
18	33001443	NUT, ROLLER SHAFT (S/P)
19	312535	WASHER, SPRING (ROLLER SHAFT) (S/P)
20	Y312948	SHAFT, TUMBLER ROLLER (S/P)
21	12001541	BEARING & ROLLER ASSEMBLY
22	312535	WASHER, ROLLER SHAFT (S/P)
23	410233	RING, RETAINING (S/P)
24	3-12959	BELT, TUMBLER & MOTOR
25	33001004	BAFFLE, TALL (S/P)
26	Y314110	SCREW, INLET DUCT (S/P)
27	901220	WIRE, GROUND (S/P)
28	910343	SCREW, GROUND WIRE (S/P)
29	33001496	HOLDER, LIGHT (S/P)
30	Y307100	LIGHT (S/P)
31	788172	DESCONTINUADO
32	214872	PALNUT, END CAP (S/P)
34	Y303711	SENSOR GROUND WIRE (S/P)
35	304997	SENSOR ASSEMBLY (W/SCREWS)
37	Y312658	RECEPTACLE, SENSOR GROUND WIRE (S/P)