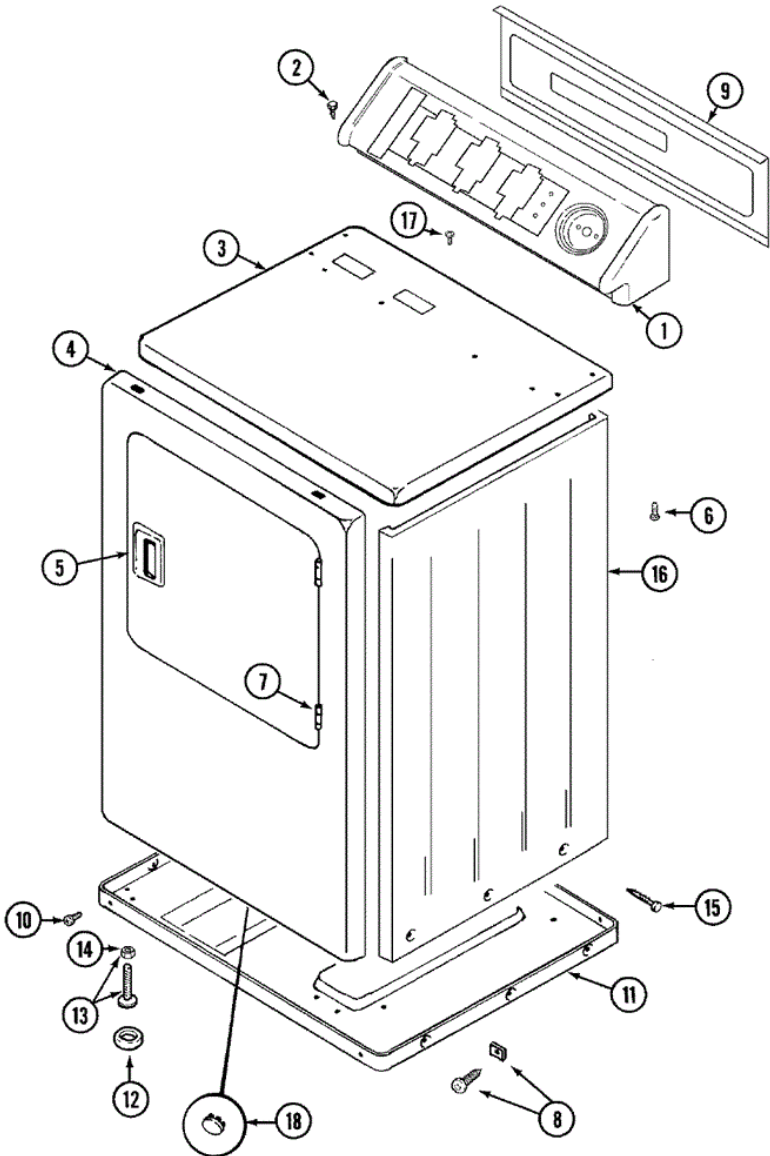


LDE9606ACE GABINETE FRONTAL

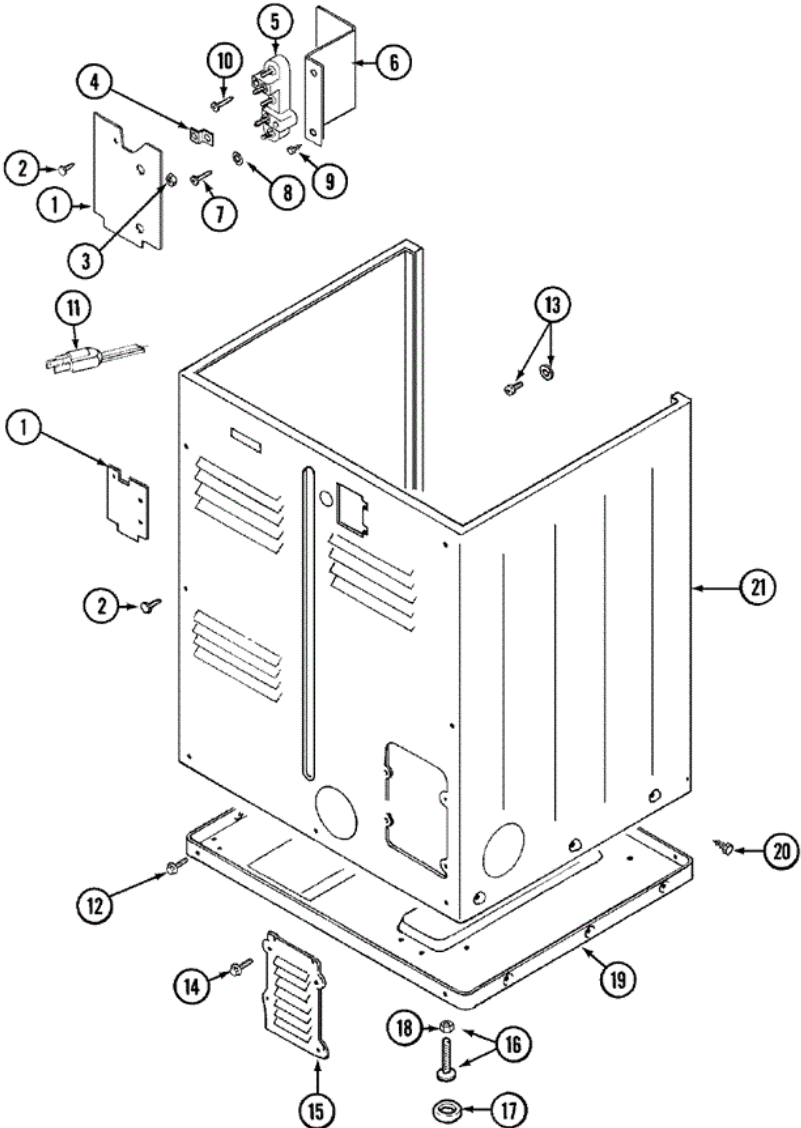




LDE9606ACE GABINETE FRONTAL

1	33001612	10	CONSOLE (WHT)
2	216423	10	SCREW
3	33001608	10	COVER, TOP (WHT)
4	33001221	10	PAD, SOUND DAMPER
4	33001486	10	PANEL, FASTENER
4	33001610	10	PANEL, FRONT (WHT)
5	33001241	10	HANDLE, DOOR (WHT)
6	214354	10	SCREW
7	33001230	10	HINGE, DOOR
8	12001341	10	SCREW & FASTENER KIT (WHT)
9	33001625	10	PANEL, BACK----NA
10	Y310632	10	SCREW
10	Y313561	10	SCREW----NA
11	Y303361	10	BASE ASSY.
12	Y314137	10	FOOT, RUBBER
13	Y305086	10	ADJUSTABLE LEG & NUT
14	Y052740	10	NUT
15	213007	10	SCREW, CABINET
16	33001159	10	CABINET (WHT)
17	210186	10	SCREW, GROUND WIRE TO BASE--NA
18	33001614	10	PLUG, FRONT PANEL (WHT)

LDE9606ACE GABINETE POSTERIOR

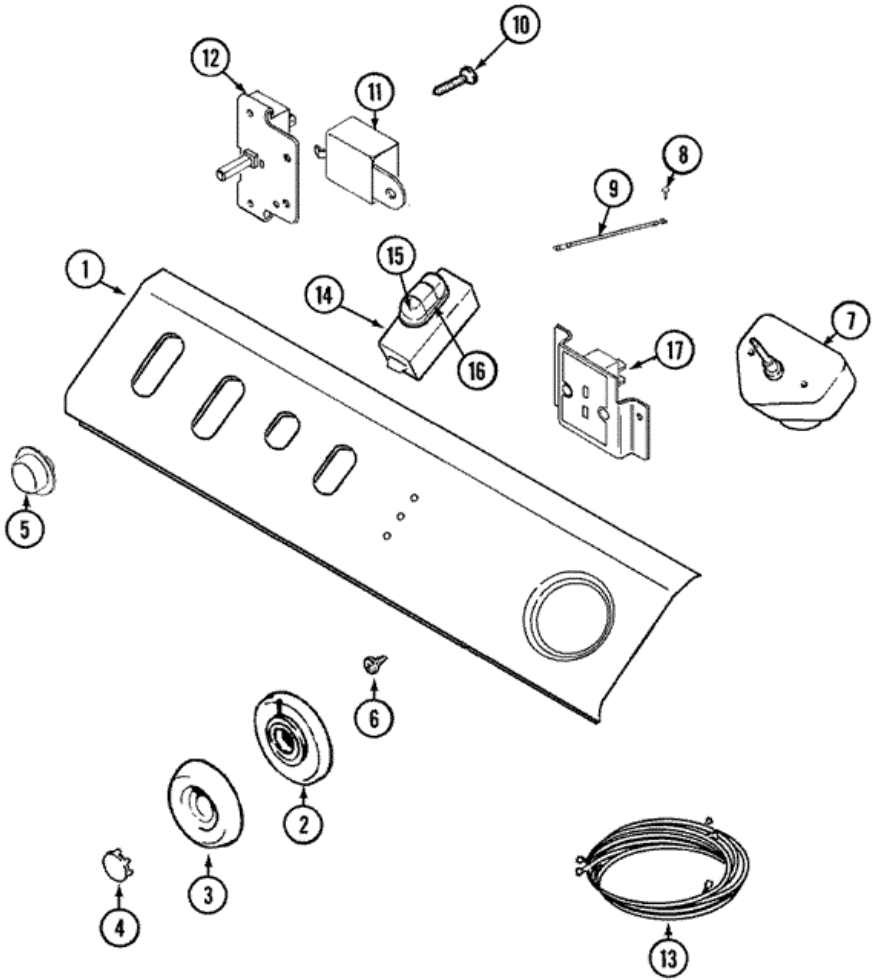




LDE9606ACE GABINETE POSTERIOR

1	Y312905	10	COVER, TERMINAL
2	Y313561	10	SCREW----NA
3	311484	10	NUT, TERMINAL BLOCK
4	Y312184	10	STRAP, GROUND
5	33001244	10	BLOCK, TERMINAL
6	Y312904	10	BRACKET, TERMINAL BLOCK
7	Y312209	10	SCREW, NO.10-24 X 3/4 INCH
8	Y311270	10	WASHER, TERMINAL BLOCK
9	Y310632	10	SCREW
10	33001245	10	SCREW----NA
12	Y310632	10	SCREW
12	Y313561	10	SCREW----NA
13	303846	10	SCREW & WASHER ASSY.
14	216423	10	SCREW
15	Y312951	10	COVER, ACCESS
16	Y305086	10	ADJUSTABLE LEG & NUT
17	Y314137	10	FOOT, RUBBER
18	Y052740	10	NUT
19	Y303361	10	BASE ASSY.
20	213007	10	SCREW, CABINET
21	33001159	10	CABINET (WHT)

LDE9606ACE TABLERO

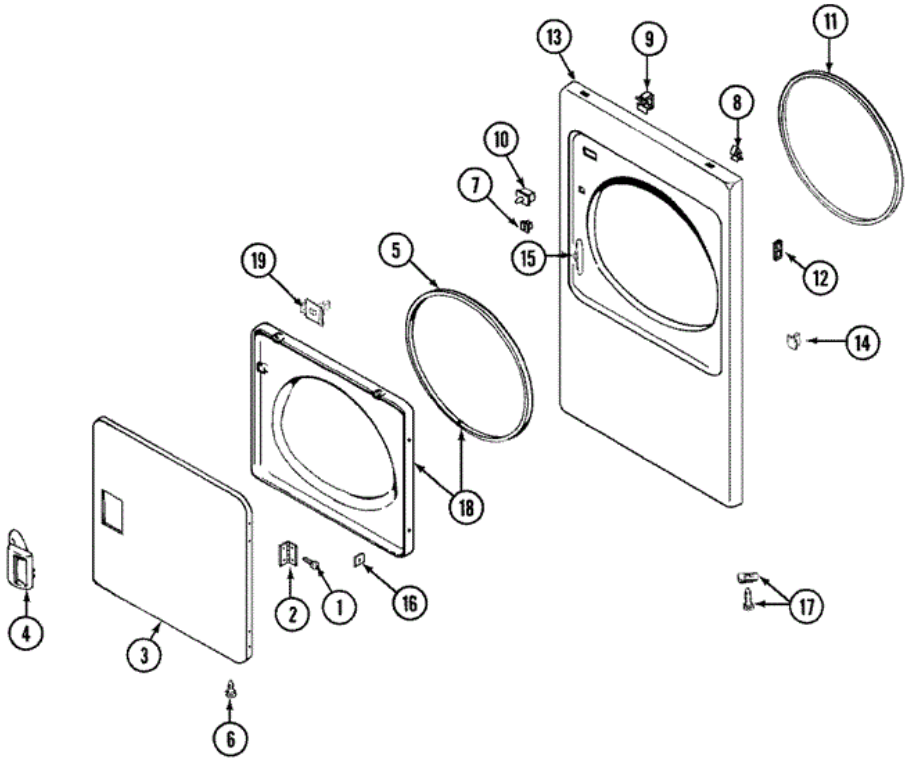




LDE9606ACE TABLERO

1	22001662	10	SCREW
1	33001594	10	PANEL, CONTROL (WHT)
2	33001621	10	SKIRT, TIMER DIAL (WHT)
3	22001659	10	TIMER KNOB - GREY
4	22001664	10	TIMER KNOB INSERT/CAP (WHT)
5	33001619	10	BUTTON, PUSH TO START (WHT)
6	33001690	10	SCREW, TIMER
7	33001633	10	TIMER
8	210186	10	SCREW, GROUND WIRE TO BASE--NA
9	22001654	10	WIRE, GROUND
10	216423	10	SCREW
11	33001623	10	BUZZER, NON-ADJUSTABLE
12	33001726	10	SWITCH, PUSH TO START (WHT)
13	33001671	10	WIRE HARNESS, MAIN
14	33001644	10	SWITCH, TEMPERATURE (ELC.)
15	22001788	10	BUTTON, SWITCH (WHT-END)
16	22001789	10	BUTTON, SWITCH (WHT-MDL)
17	33001661	10	DISPLAY, DRYNESS (WHT)

LDE9606ACE PUERTA

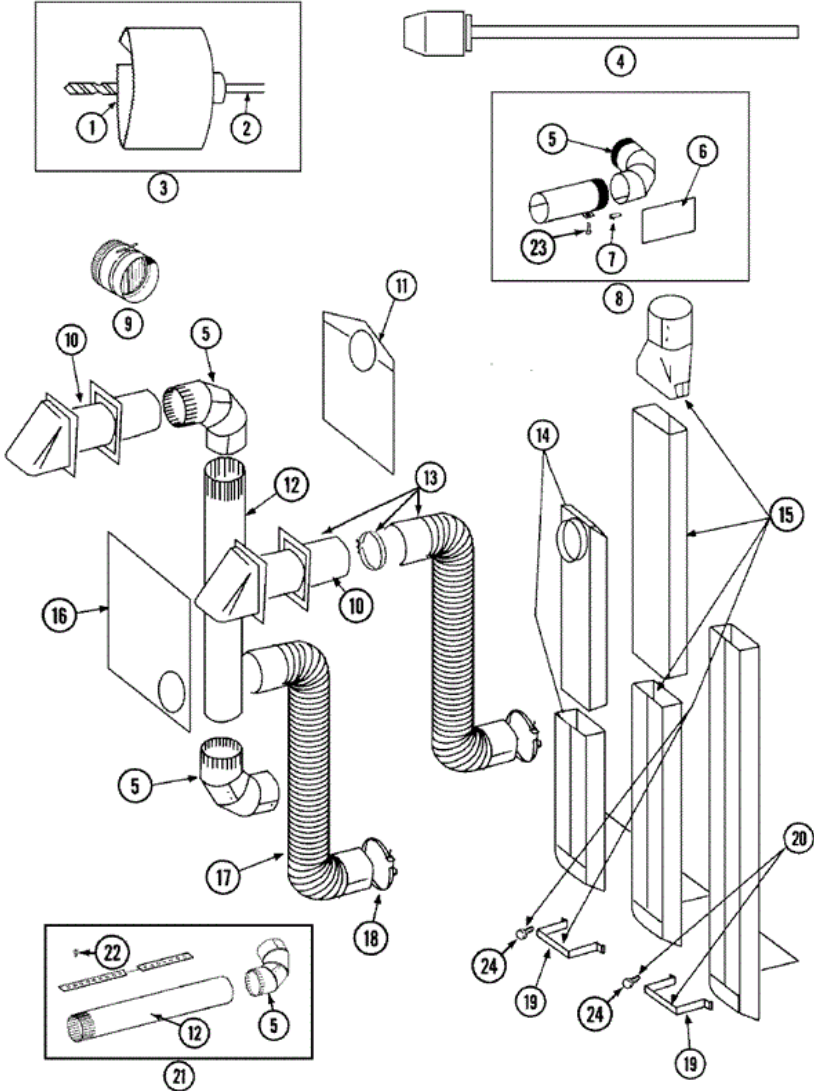




LDE9606ACE PUERTA

1	Y314062	10	SCREW
2	33001230	10	HINGE, DOOR
3	22001817	10	SHEET, SOUND DAMPER (FT. PNL)
3	33001240	10	DOOR (WHT)
4	33001241	10	HANDLE, DOOR (WHT)
5	33001131	10	SEAL, DOOR
6	33001132	10	PLUG, SIGHT HOLE (WHT)
7	Y304578	10	CATCH, DOOR (FEMALE)
8	22001650	10	FASTENER, SPRING
9	Y310376	10	CLIP, WIRE HARNESS
10	33001508	10	SWITCH, DOOR
11	314937	10	SEAL, FRONT PANEL
12	33001487	10	NUT, SPEED
13	33001221	10	PAD, SOUND DAMPER
13	33001486	10	PANEL, FASTENER
13	33001610	10	PANEL, FRONT (WHT)
14	33001174	10	PLUG, DOOR CATCH
15	33001175	10	COVER, HINGE HOLE (WHT)
16	Y313910	10	CLIP, DOOR LINER TO OUTER PNL
17	12001341	10	SCREW & FASTENER KIT (WHT)
18	33001243	10	DOOR, INNER (W/SEAL)
19	33001305	10	STRIKE, DOOR (W/BACKET)

LDE9606ACE DUCTOS

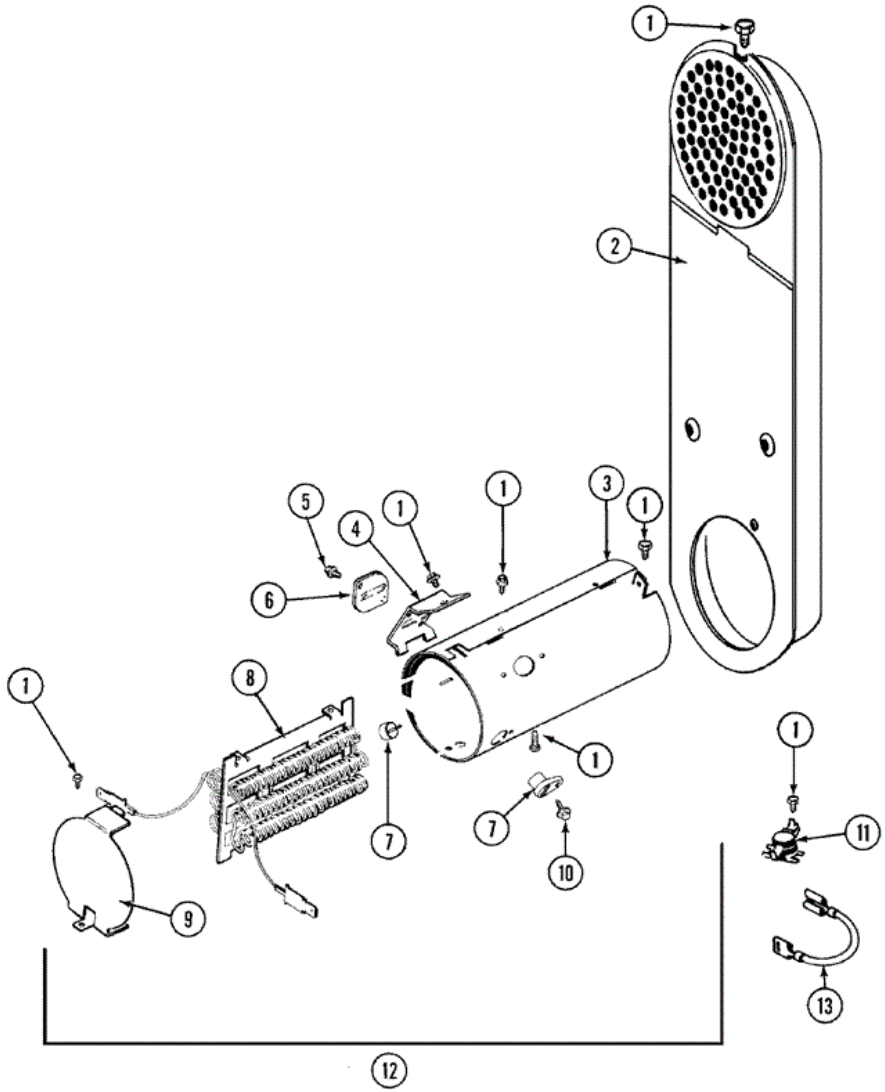




LDE9606ACE DUCTOS

1	38179	10	BLADE, SAW
2	38180	10	REPLACEMENT DRILL
3	38766	10	HOLE SAW W/DRILL BIT
4	38767	10	EXTENSION CHUCK, DRILL
5	Y059131	10	ELBOW, VENTING (4``)
6	312302	10	INSULATION, EXHAUST DUCT KIT
7	213323	10	FASTENER, EXHAUST DUCT KIT
8	Y304652	10	EXHAUST DUCT KIT
9	59146	10	DAMPER, BACK DRAFT
10	Y059129	10	HOOD, VENT
11	311353	10	BAG, LINT (DACRON)
12	Y059130	10	PIPE, VENTING
13	Y059143	10	FLEXIBLE VENT KIT
14	Y059135	10	VENT DUCT ASSY.
15	59144	10	RECTANGULAR VENT KIT
16	Y059134	10	PLATE, ALUM. WINDOW (15``X20``)
17	Y304353	10	FLEXIBLE ALUMINUM VENT DUCT
18	Y304630	10	CLAMP, FLEXIBLE DUCT
19	313272	10	BRACKET, EXHAUST DEFLECTOR
20	303736	10	EXHAUST DEFLECTOR KIT
21	306399	10	EXHAUST DEFLECTOR KIT
22	Y251119	10	SCREW
23	211294	10	SCREW
24	211294	10	SCREW

LDE9606ACE RESISTENCIA





LDE9606ACE RESISTENCIA

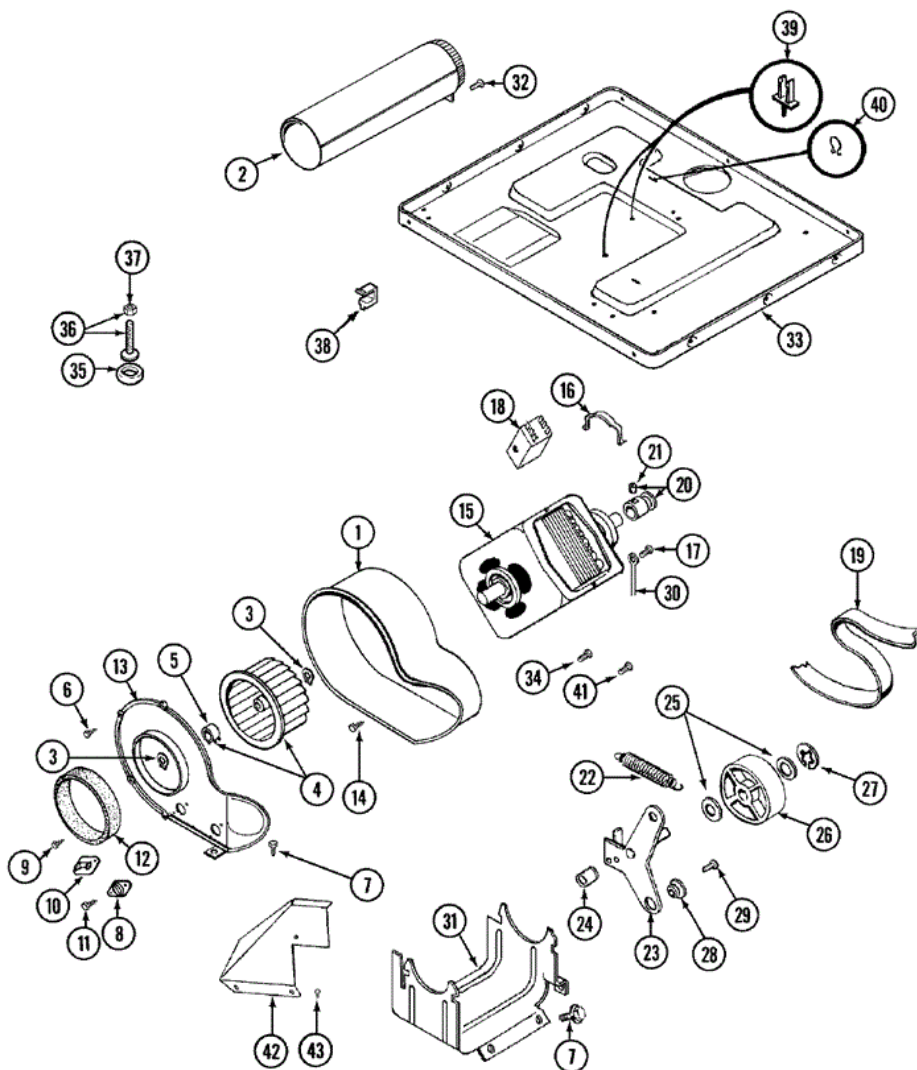
1	211294	10	SCREW
2	308503	10	INLET DUCT ASSY.
3	314995	10	HEATER ENCLOSURE
4	315346	10	BRACKET, THERMAL FUSE
5	314848	10	SCREW
6	307473	10	FUSE, THERMAL
7	314998	10	INSULATOR, TERMINAL
8	307184	10	HEATER SUB-ASSEMBLY (240V)
9	314999	10	SHIELD, RADIANT
10	314554	10	SCREW
11	303396	10	THERMOSTAT, HI-LIMIT (ELEC)
12	307178	10	HEATER ASSEMBLY (COMPLETE 240V)
13	Y307173	10	WIRE, JUMPER
14	Y308590	10	CONVERSION KIT (240V TO 208V)

Distribuidor Autorizado

SurteRápido.com

Venta de Refacciones
Electrodomesticas

LDE9606ACE MOTOR





LDE9606ACE MOTOR

1	Y312893	10	HOUSING, BLOWER
2	Y303442	10	EXHAUST DUCT ASSY.
3	410233	10	RING, RETAINING
4	Y303836	10	BLOWER WHEEL ASSEMBLY & CLAMP
5	312967	10	CLAMP, BLOWER HOUSING
6	Y312961	10	SCREW
7	Y313561	10	SCREW---NA
8	306911	10	THERMOSTAT,(ELEC) MULTI-TEMP
9	211294	10	SCREW
10	306604	10	CUT-OFF, THERMAL
11	314848	10	SCREW
12	Y312901	10	SEAL, BLOWER
13	314846	10	COVER, BLOWER HOUSING
14	314818	10	SCREW
15	Y303358	10	MOTOR
16	Y015825	10	CLIP, MOTOR
17	910343	10	SCREW, GROUND WIRE
18	306207	10	SWITCH, MOTOR START-PROD.
18	Y303877	10	SWITCH, MOTOR
18	Y303879	10	SWITCH, MOTOR START-PROD.
19	Y312959	10	BELT, TUMBLER & MOTOR
20	Y305185	10	PULLEY, MOTOR (W/SET SCREW)
21	Y053241	10	SET SCREW, PULLEY
22	Y303945	10	IDLER SPRING ASSEMBLY
23	Y303363	10	IDLER ARM & SHAFT ASSY.
24	Y313582	10	SPACER, IDLER BRACKET
25	Y312527	10	WASHER, IDLER SHAFT (QTY-1)
26	Y303705	10	PULLEY, IDLER
27	312958	10	RETAINING RING, IDLER SHAFT
28	Y312894	10	SLEEVE, IDLER ARM
29	Y014874	10	SCREW
30	901220	10	WIRE, GROUND
31	312897	10	SUPPORT, MOTOR

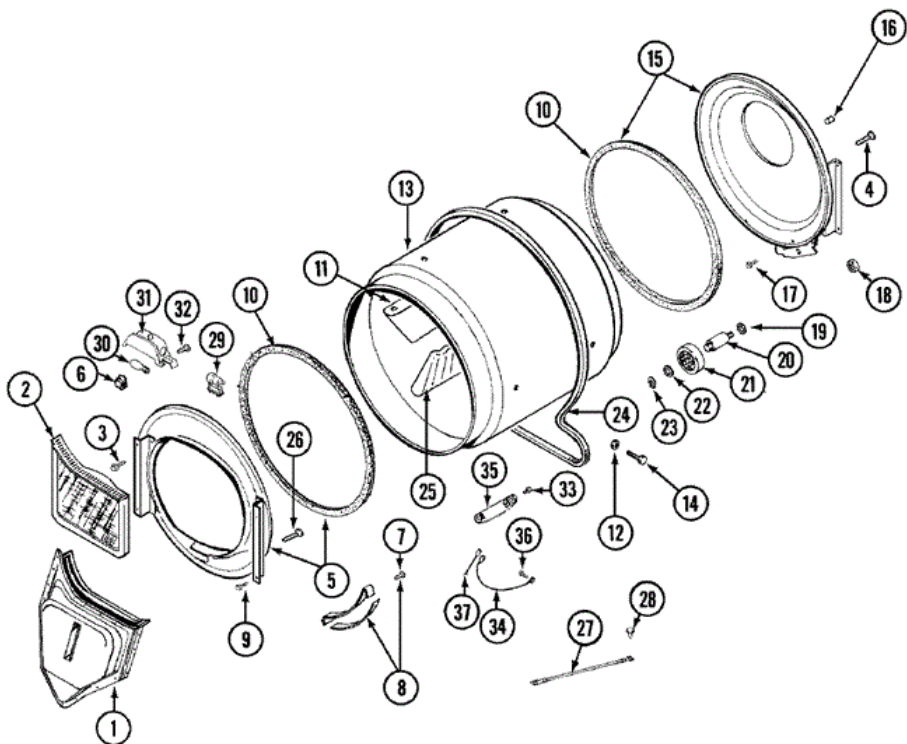
32	Y310632	10	SCREW
33	Y305084	10	BASE
34	211294	10	SCREW
35	Y314137	10	FOOT, RUBBER
36	Y305086	10	ADJUSTABLE LEG & NUT
37	Y052740	10	NUT
38	Y310376	10	CLIP, WIRE HARNESS
39	315471	10	RETAINER, WIRE
40	410490	10	SPRING, WIRE HARNESS
41	Y312961	10	SCREW
42	315122	10	COVER, THERMOSTAT
43	Y310632	10	SCREW

Distribuidor Autorizado

SurteRápido.com

Venta de Refacciones
Electrodomesticas

LDE9606ACE TAMBOR





LDE9606ACE TAMBOR

1	33001016	10	DUCT ASSY., OUTLET
2	33001171	10	FILTER, LINT
3	313764	10	SCREW
4	Y313561	10	SCREW----NA
5	33001423	10	FRONT ASSY., TUMBLER
6	Y310376	10	CLIP, WIRE HARNESS
7	210720	10	RIVET
8	306508	10	TUMBLER BEARING KIT
9	Y310632	10	SCREW
10	314820	10	SEAL, TUMBLER
11	33001012	10	BAFFLE (SHORT)
12	314158	10	WASHER
13	33001108	10	DRYER TUMBLER, W/O BAFFLES
14	Y310759	10	SCREW
15	33001178	10	BACK, TUMBLER (W/SEAL)
16	313915	10	COVER, THREAD
17	Y310632	10	SCREW
18	312538	10	NUT, ROLLER SHAFT
19	Y313347	10	WASHER, SPRING (ROLLER SHAFT)
20	Y312948	10	SHAFT, TUMBLER ROLLER
21	Y303373	10	BEARING & ROLLER ASSEMBLY
22	312535	10	WASHER, ROLLER SHAFT
23	410233	10	RING, RETAINING
24	Y312959	10	BELT, TUMBLER & MOTOR
25	33001004	10	BAFFLE, TALL
26	Y314110	10	SCREW, INLET DUCT
27	901220	10	WIRE, GROUND
28	910343	10	SCREW, GROUND WIRE
29	307097	10	HOLDER, LIGHT
30	Y307100	10	LIGHT
31	314955	10	ENCLOSURE, LIGHT
32	214872	10	PALNUT, END CAP
33	22001078	10	SCREW

34	Y303711	10	SENSOR GROUND WIRE
35	Y303389	10	SENSOR ASSEMBLY (W/SCREWS)
36	211294	10	SCREW
37	Y312658	10	RECEPTACLE, SENSOR GROUND WIRE