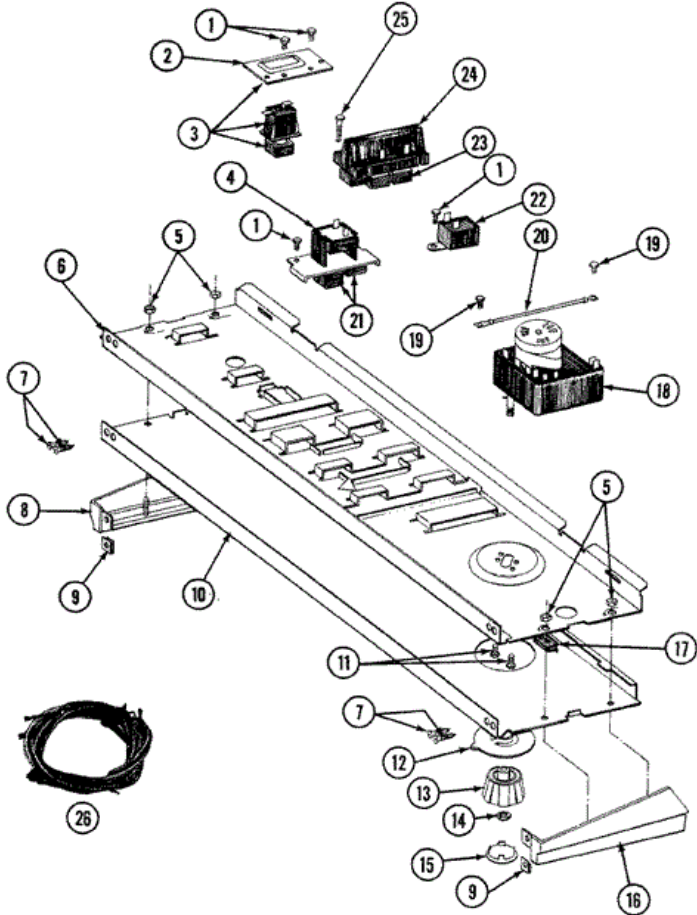
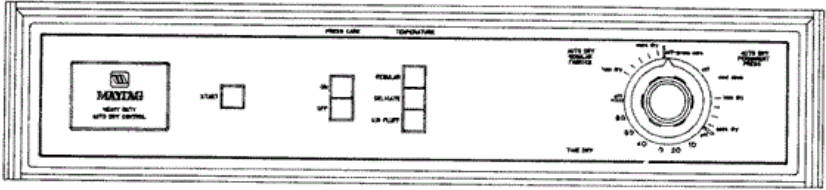


**LDG590 TABLERO**

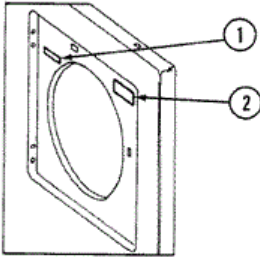




## LDG590 TABLERO

1	211168	0	SCREW, NO.8 X 5/16 INCH
2	314177	0	BRACKET FOR START SWITCH
3	306533	0	SWITCH, PUSH/TO/START W/BKT
4	305950	0	DRYNESS-PRESS CARE SWITCH
5	214872	0	PALNUT, END CAP
6	314184	0	BACK UP PLATE
7	210932	0	SCREW, NO.8 X 9/16 CTSK
8	214815	0	END CAP F/CONTROL PANEL-LH
9	214894	0	FASTENER, END CAP
10	305885	0	CONTROL PANEL
10	306385	2	CONTROL PANEL
11	910708	0	SCREW -RELAY TO TUB SUPPORT
12	314422	0	TIMER DIAL INDICATOR
13	314421	0	KNOB FOR TIMER
14	312273	0	NUT
15	215164	0	CAP FOR KNOB
16	214816	0	END CAP F/CONTROL PANEL-RH
17	214897	0	PAD, CONTROL PANEL
18	305207	0	TIMER
19	211294	0	SCREW
20	204807	0	GRND.WIRE,SUPP.PLTE TO TOP CVR
21	215210	0	BUTTON FOR SWITCH
22	305205	0	BUZZER - NON-ADJUSTABLE
23	215211	0	BUTTON FOR SWITCH
24	305958	0	TEMPERATURE SWITCH
25	213117	0	SCREW-TEMP. SWITCH TO PANEL
26	306428	0	MAIN WIRE HARNESS
26	306802	7	WIRE HARNESS

# LDG590 PUERTA



**WARNING:** TO AVOID INJURY, ALWAYS UNPLUG THE UNIT FROM THE WALL OUTLET BEFORE ATTEMPTING TO REMOVE OR INSTALL THE DOOR. THE DOOR IS HEAVY AND SHOULD BE SUPPORTED AT ALL TIMES. THE DOOR SHOULD BE SUPPORTED AT ALL TIMES. THE DOOR SHOULD BE SUPPORTED AT ALL TIMES.

**CAUTION:** DO NOT FORCE THE DOOR TO OPEN OR CLOSE. IF THE DOOR DOES NOT OPEN OR CLOSE, STOP AND CALL FOR SERVICE. THE DOOR SHOULD BE SUPPORTED AT ALL TIMES.

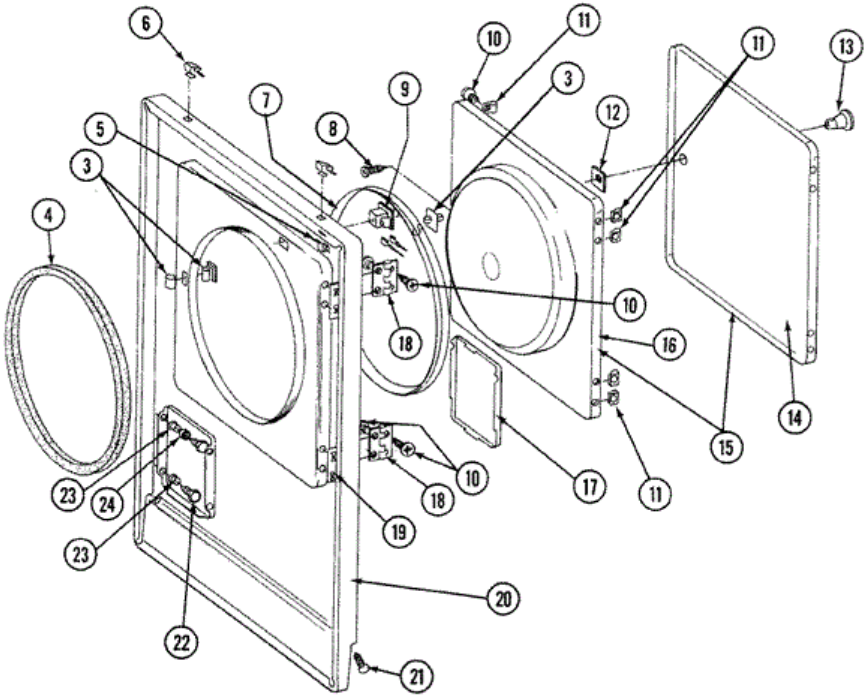
THIS APPLIANCE IS EQUIPPED WITH AN INTERLOCKING SAFETY DEVICE.

2

1



3

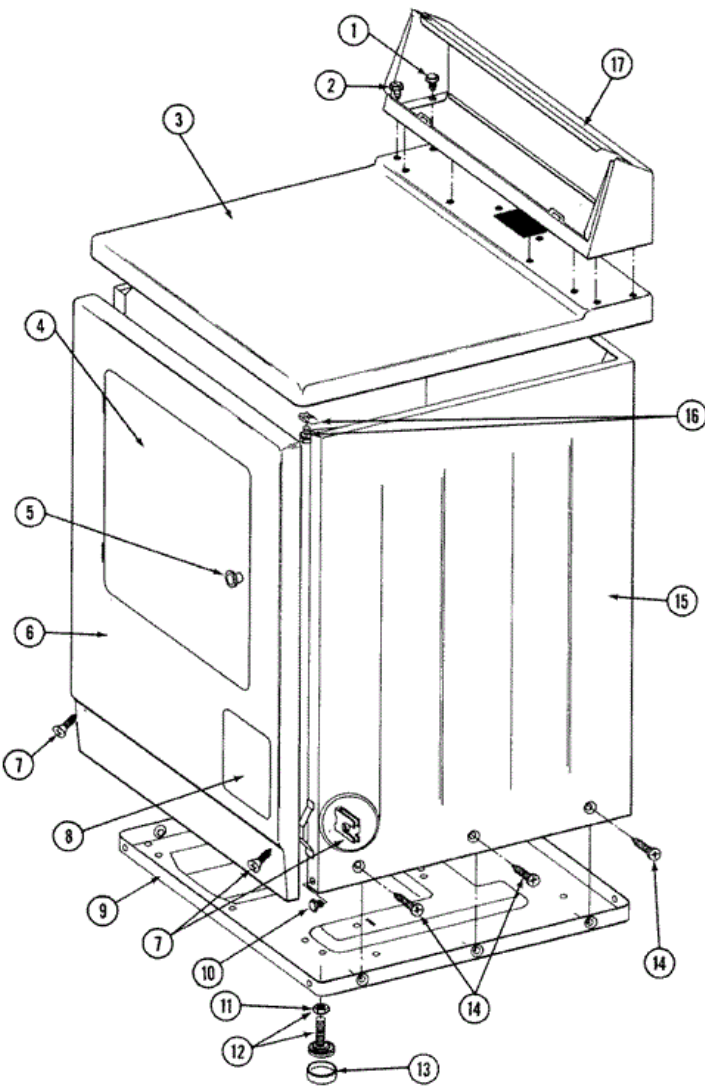




## LDG590 PUERTA

1	314119	0	GAS IGNITION LABEL
2	Y313927	0	INSTRUCTION LABEL
3	306436	0	DOOR LATCH KIT
4	314286	0	SEAL FOR FRONT PANEL
5	Y310376	0	CLIP, WIRE HARNESS
6	212982	0	FASTENER, PANEL
7	314077	0	DOOR SEAL
8	314347	0	SCREW FOR DOOR KNOB----NA
9	Y305753	0	SWITCH, DOOR
10	Y314062	0	SCREW
11	Y313910	0	CLIP, DOOR LINER TO OUTER PNL
12	Y313911	0	DOOR STRIKE RETAINER
13	303942	0	KNOB AND SCREW
14	313908L	0	DOOR PANEL-ALMOND
15	304579L	0	DOOR-ALMOND
15	306668L	5	DOOR, ALMOND
16	305835	0	INNER DOOR WITH KNOB & SCRE
16	306676	5	INNER DOOR WITH KNOB
17	302542L	0	ACCESS DOOR-ALMOND
18	Y304577	0	DOOR HINGE
19	Y313907	0	TWIN FASTENER
20	304594L	0	FRONT PANEL-ALMOND
21	204439	0	SCREW & FSTNER ASSY(FRT.PANEL)
22	212949	0	SCREW
23	312301	0	BUSHING FOR ACCESS STUD
24	312369	0	SLEEVE-ACCESS PANEL STUD

**LDG590 GABINETE**





**LDG590 GABINETE**

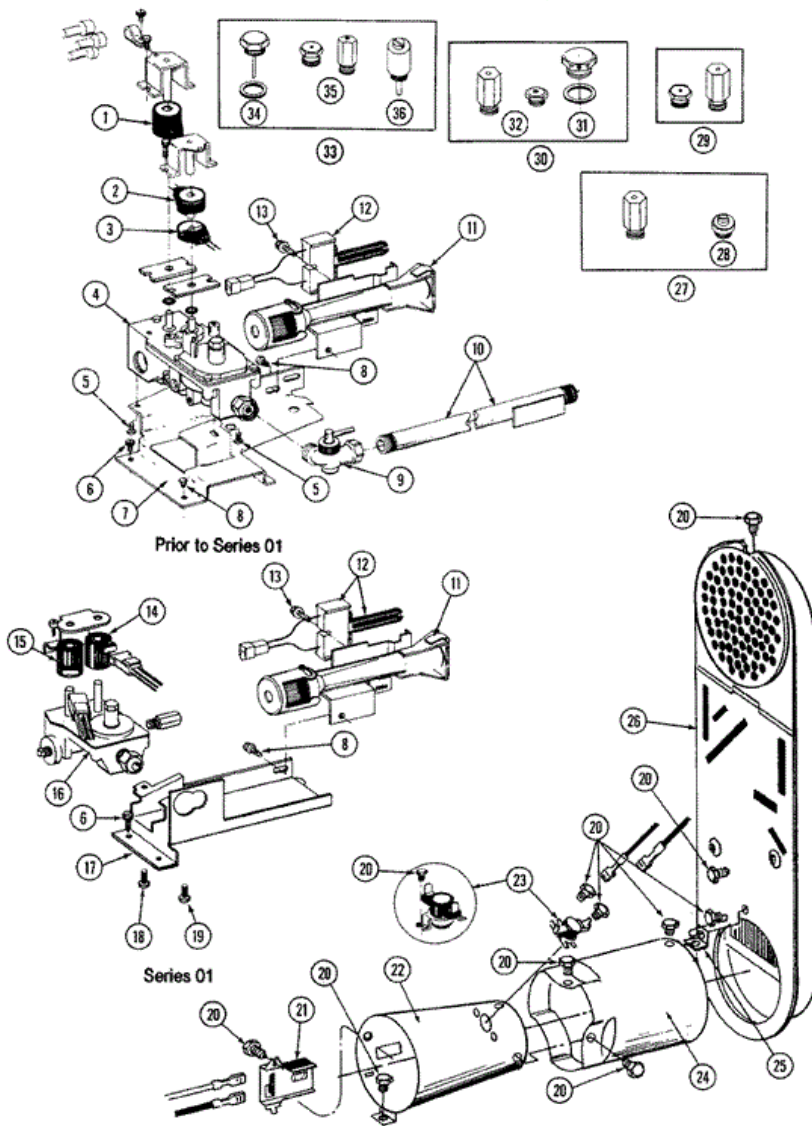
1	211194	0	LOCK WASHER
2	Y313559	0	SCREW
3	307104L	0	TOP COVER ASSY
4	306668L	0	DOOR, ALMOND
5	303942	0	KNOB AND SCREW
6	304594L	0	FRONT PANEL-ALMOND
7	204439	0	SCREW & FSTNER ASSY(FRT.PANEL)
8	302542L	0	ACCESS DOOR-ALMOND
9	Y303361	0	BASE ASSY.
10	Y310632	0	SCREW
11	Y052740	0	NUT
12	Y305086	0	ADJUSTABLE LEG & NUT
13	Y314137	0	FOOT, RUBBER
14	213007	0	SCREW, CABINET
15	305302L	0	CABINET-ALMOND
16	204445	0	SCREW & FASTENER ASY.
17	305193L	0	CONSOLE (ALM)

Distribuidor Autorizado

SurteRápido.com

Venta de Refacciones  
Electrodomesticas

# LDG590 QUEMADOR





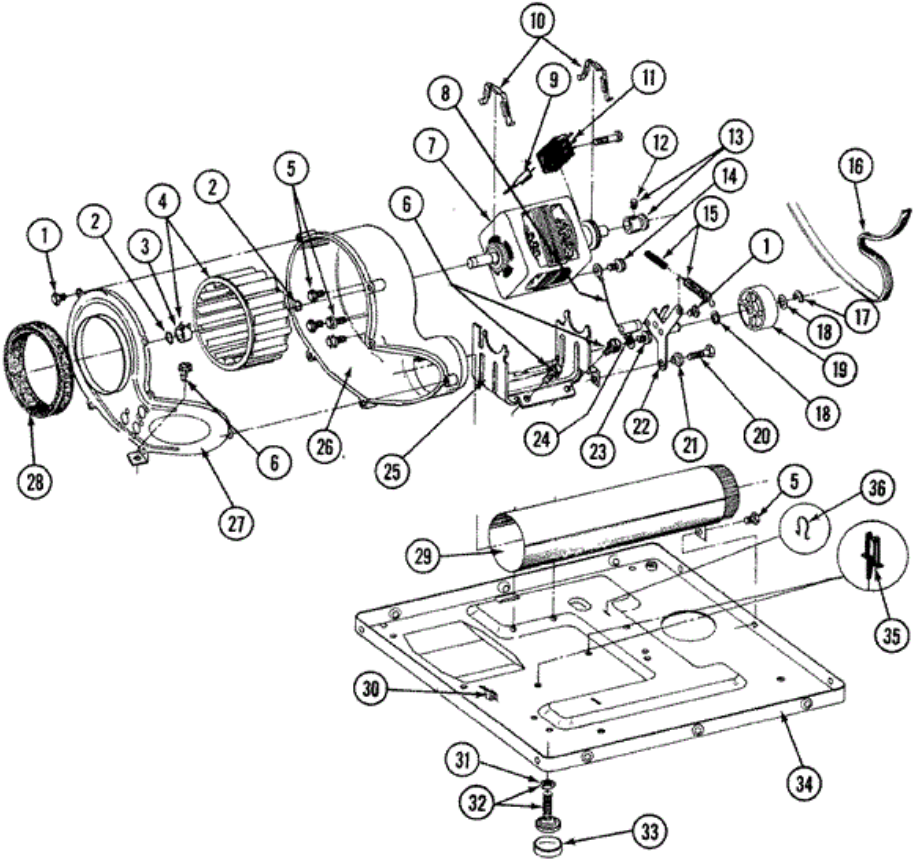
## LDG590 QUEMADOR

1	305603	0	SECONDARY COIL
2	305604	0	HOLDING COIL
3	305605	0	BOOSTER COIL
4	W10116794	0	GAS VALVE
5	211410	0	SCREW, HEX HD NO.8 X 3/8 INCH
6	Y313561	1	SCREW---NA
7	312929	0	GAS VALVE BRACKET
8	Y310632	0	SCREW
9	Y303349	0	SHUT-OFF, GAS VALVE
10	Y303383	0	PIPE & BRACKET ASSY.
11	304974	0	BURNER ASSEMBLY
12	304970	0	IGNITER ASSY, GAS VALVE
13	304971	0	SCREW
14	306105	1	COIL, SECONDARY
15	306106	1	COIL, HOLDING & BOOSTER
16	306176	1	VALVE, GAS
17	314566	1	BRACKET, GAS VALVE
18	314082	1	SCREW
19	Y313559	1	SCREW
20	211294	0	SCREW
21	Y303377	0	SENSOR, RADIANT
22	Y303368	0	CONE, COMBUSTION
23	303395	0	THERMOSTAT, HI-LIMIT (GAS)
24	Y303841	0	CONE, EXTENSION (COMBUSTION)
25	Y312890	0	RETAINER, HEATER CHAMBER
26	Y303369	0	INLET DUCT ASSEMBLY (DG)
27	306204	1	CONVERSION KIT (LP TO NATURAL)
28	314602	1	LEAK LIMITER (LPG)
29	305860	0	MAIN BURNER ORIFICE KIT-NAT
29	305861	0	MAIN BURNER ORIFICE KIT-LPG
29	305862	0	MAIN BURNER ORIFICE KIT-MIX
30	Y304672	0	CONVERSION KIT-LPG TO NAT.
31	302809	0	SCREW ASSEMBLY - LEAK LIMIT



32	305860	0	MAIN BURNER ORIFICE KIT-NAT
33	Y306195	0	CONVERSION KIT (NATURAL TO LP)
34	302810	0	SCREW ASSM - BLUE BLOCK OPE
35	305861	0	MAIN BURNER ORIFICE KIT-LPG
36	306184	0	PLUG, BLOCKING (LPG REGULATOR)

**LDG590 MOTOR**



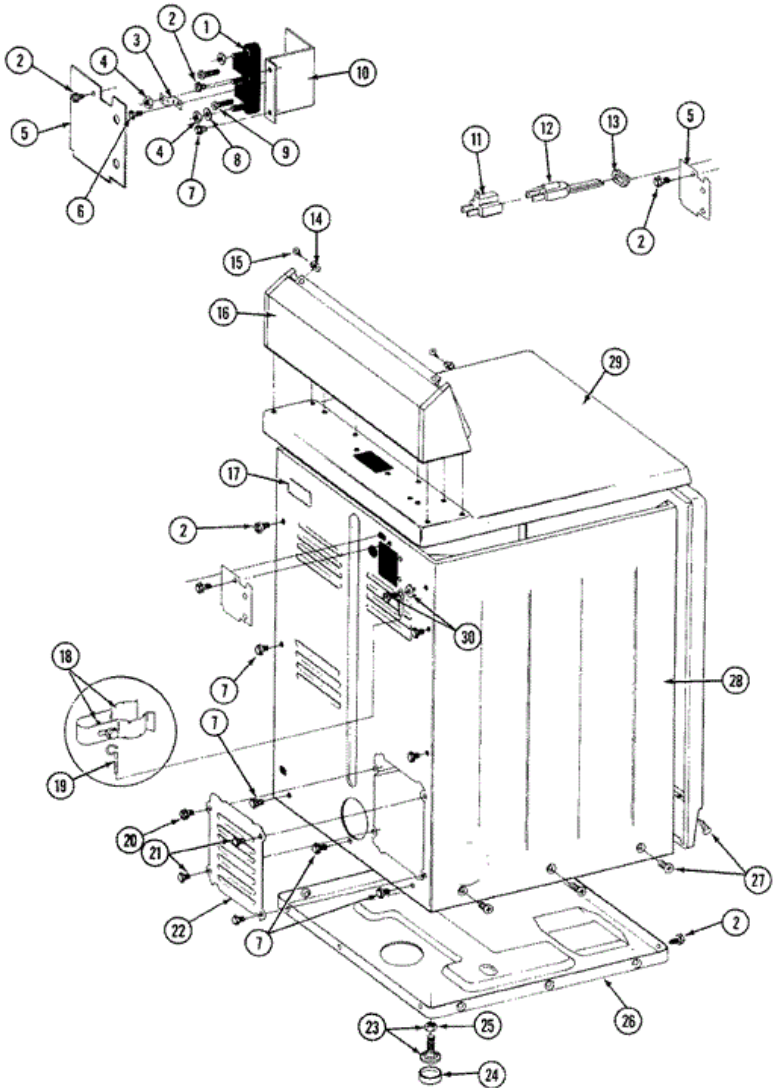


## LDG590 MOTOR

1	Y312961	0	SCREW
2	410233	0	RING, RETAINING
3	312967	0	CLAMP, BLOWER HOUSING
4	Y303836	0	BLOWER WHEEL ASSEMBLY & CLAMP
5	Y310632	0	SCREW
6	Y313561	0	SCREW----NA
7	Y303358	0	MOTOR
8	901220	0	WIRE, GROUND
9	306448	0	WIRE
10	Y015825	0	CLIP, MOTOR
11	306207	0	SWITCH, MOTOR START-PROD.
11	Y303877	0	SWITCH, MOTOR
11	Y303879	0	SWITCH, MOTOR START-PROD.
12	Y053241	0	SET SCREW, PULLEY
13	Y305185	0	PULLEY, MOTOR (W/SET SCREW)
14	910343	0	SCREW, GROUND WIRE
15	Y303945	0	IDLER SPRING ASSEMBLY
16	Y312959	0	BELT, TUMBLER & MOTOR
17	312958	0	RETAINING RING, IDLER SHAFT
18	Y312527	0	WASHER, IDLER SHAFT (QTY-1)
19	Y303705	0	PULLEY, IDLER
20	Y014874	0	SCREW
21	Y312894	0	SLEEVE, IDLER ARM
22	Y303363	0	IDLER ARM & SHAFT ASSY.
23	211294	0	SCREW
24	Y313582	0	SPACER, IDLER BRACKET
25	312897	0	SUPPORT, MOTOR
26	Y312893	0	HOUSING, BLOWER
27	314846	0	COVER, BLOWER HOUSING
27	Y312895	0	COVER FOR BLOWER----NA
28	Y312901	0	SEAL, BLOWER
29	Y303442	0	EXHAUST DUCT ASSY.
30	Y310376	0	CLIP, WIRE HARNESS

31	Y052740	0	NUT
32	Y305086	0	ADJUSTABLE LEG & NUT
33	Y314137	0	FOOT, RUBBER
34	Y303361	0	BASE ASSY.
35	Y313262	0	RETAINER, WIRE HARNESS
36	410490	0	SPRING, WIRE HARNESS

**LDG590 GABINETE**





## LDG590 GABINETE

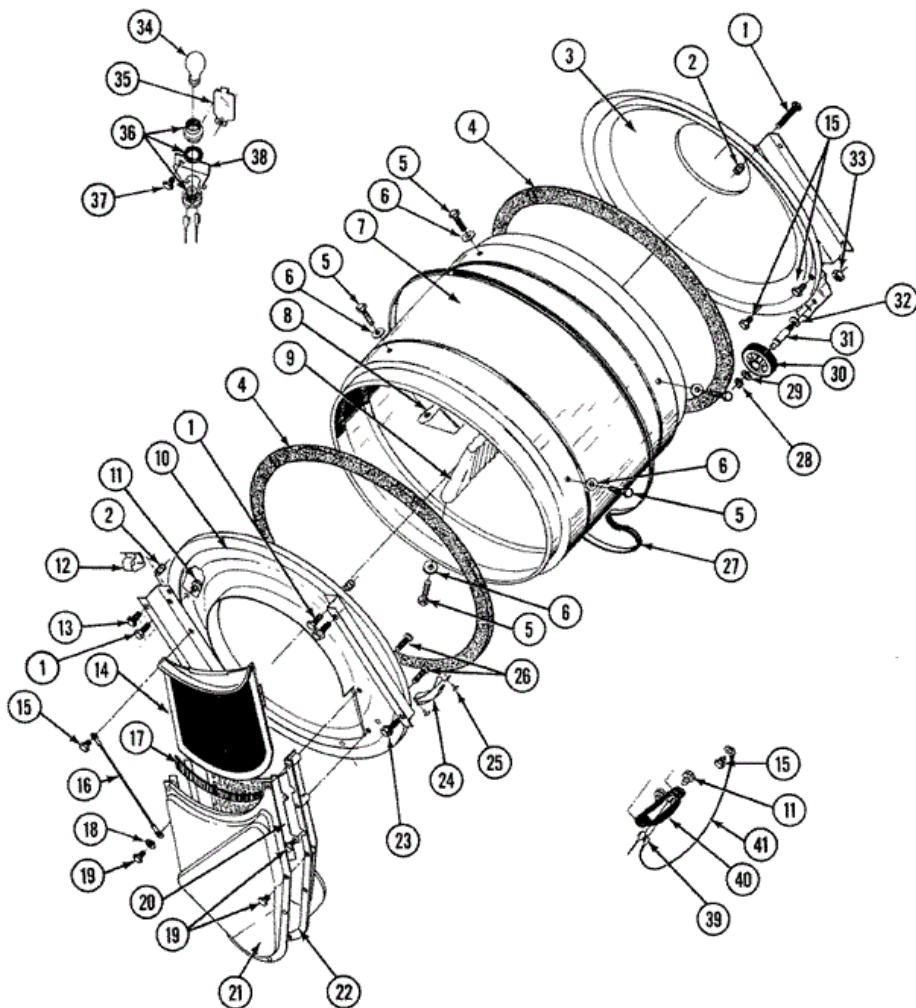
2	Y313561	0	SCREW----NA
5	Y312905	0	COVER, TERMINAL
7	Y310632	0	SCREW
11	Y201808	0	CONVERTER
12	302521	0	POWER CORD
13	211881	0	GROMMET, CORD
14	215075	0	FASTENER,CNTRL PNL TO CONSOLE
15	210932	0	SCREW, No.8 X 9/16 CTSK
16	305193L	0	CONSOLE (ALM)
17	214519	0	LABEL, ELECTRICAL INSTRUCTION
18	301548	0	CLAMP, GROUND (W/SCREW)
19	311155	0	GROUND WIRE
20	Y313559	0	SCREW
21	211294	0	SCREW
22	Y312951	0	COVER, ACCESS
23	Y305086	0	ADJUSTABLE LEG & NUT
24	Y314137	0	FOOT, RUBBER
25	Y052740	0	NUT
26	Y303361	0	BASE ASSY.
27	213007	0	SCREW, CABINET
28	305302L	0	CABINET-ALMOND
29	307104L	0	TOP COVER ASSY
30	303846	0	SCREW & WASHER ASSY.

Distribuidor Autorizado

SurteRápido.com

Venta de Refacciones  
Electrodomesticas

## LDG590 TAMBOR BEIGE





## LDG590 TAMBOR BEIGE

1	313764	5	SCREW
2	313915	5	COVER, THREAD
3	Y306660	5	TUMBLER BACK
4	314820	5	SEAL, TUMBLER
5	Y310759	5	SCREW
6	314158	5	WASHER
7	306663	5	TUMBLER W/BAFFLES
7	314802	5	TUMBLER W/OUT BAFFLES
8	314803	5	BAFFLE (SHORT)
9	314804	5	BAFFLE (TALL)
10	306670	5	TUMBLER FRONT----NA
12	Y310376	5	CLIP, WIRE HARNESS
13	Y313561	5	SCREW----NA
14	Y306666	5	LINT SCREEN
15	211294	5	SCREW
16	205810	5	WIRE, GROUND
17	Y313796	5	LINT SEAL
18	310557	5	WASHER
20	Y313795	5	GUIDE FOR LINT SCREEN
21	Y312964	5	OUTLET DUCT - OUTER HALF
22	306656	5	OUTLET DUCT & GRID ASSEMBLY
22	306657	5	OUTLET DUCT & GRID
23	Y310632	5	SCREW
24	306508	5	TUMBLER BEARING KIT
25	210720	5	RIVET
26	Y314110	5	SCREW, INLET DUCT
27	Y312959	5	BELT, TUMBLER & MOTOR
28	410233	5	RING, RETAINING
29	312535	5	WASHER, ROLLER SHAFT
30	Y303373	5	BEARING & ROLLER ASSEMBLY
31	Y312948	5	SHAFT, TUMBLER ROLLER
32	Y313347	5	WASHER, SPRING (ROLLER SHAFT)
33	312538	5	NUT, ROLLER SHAFT

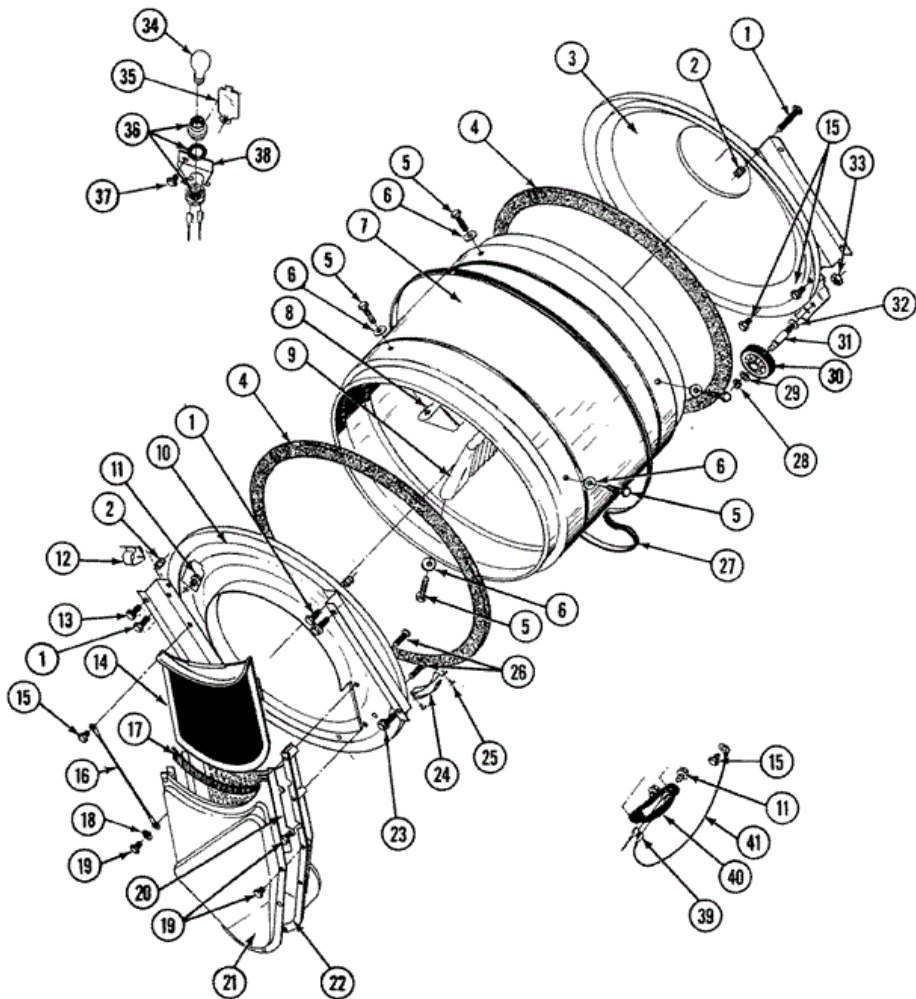


Distribuidor Autorizado

SurteRápido.com

Venta de Refacciones  
Electrodomesticas

# LDG590 TAMBOR GRAY





## LDG590 TAMBOR GRAY

1	313764	0	SCREW
2	313915	0	COVER, THREAD
3	Y306660	0	TUMBLER BACK
4	Y313541	0	TUMBLER SEAL
5	Y310759	0	SCREW
6	314158	0	WASHER
7	305187	0	TUMBLER
7	Y314153	0	TUMBLER
8	314154	0	TUMBLER BAFFLE - SHORT
9	314155	0	TUMBLER BAFFLE - TALL
10	Y303815	0	TUMBLER FRONT----SUB
12	Y310376	0	CLIP, WIRE HARNESS
13	Y313561	0	SCREW----NA
14	Y304388	0	LINT SCREEN
16	205810	0	WIRE, GROUND
17	Y313796	0	LINT SEAL
18	310557	0	WASHER
19	Y312961	0	SCREW
20	Y313795	0	GUIDE FOR LINT SCREEN
21	Y312964	0	OUTLET DUCT - OUTER HALF
22	Y304810	0	OUTLET DUCT ASSEMBLY
23	Y310632	0	SCREW
24	306508	0	TUMBLER BEARING KIT
25	210720	0	RIVET
26	Y314110	0	SCREW, INLET DUCT
27	Y312959	0	BELT, TUMBLER & MOTOR
28	410233	0	RING, RETAINING
29	312535	0	WASHER, ROLLER SHAFT
30	Y303373	0	BEARING & ROLLER ASSEMBLY
31	Y312948	0	SHAFT, TUMBLER ROLLER
32	Y313347	0	WASHER, SPRING (ROLLER SHAFT)
33	312538	0	NUT, ROLLER SHAFT