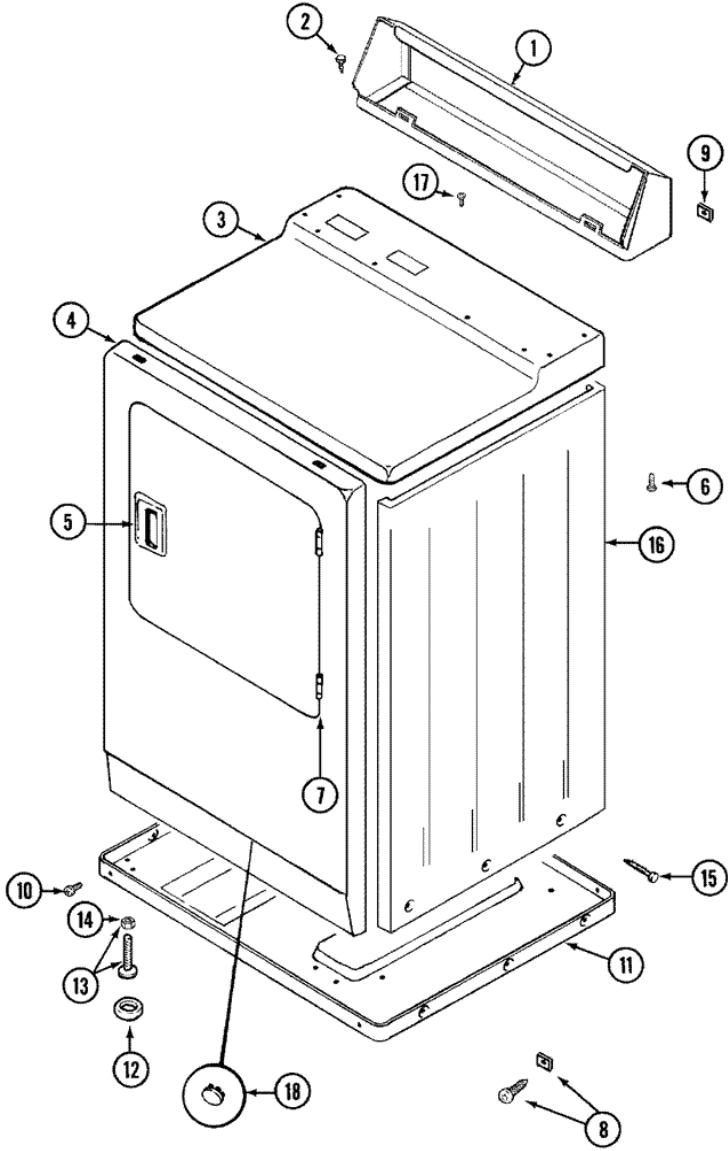


LDG7304AAE GABINETE





LDG7304AAE GABINETE

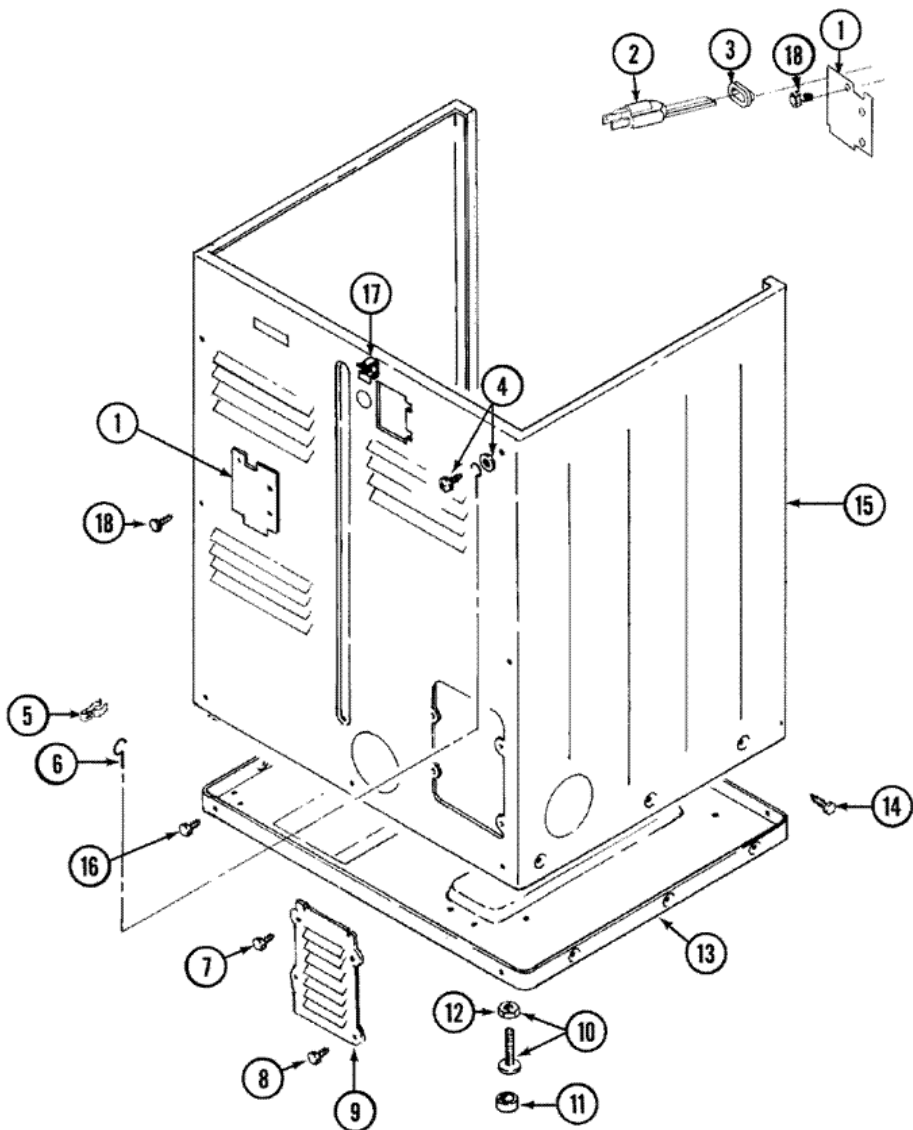
1	Y305193	CONSOLE (WHT) (S/P)
2	216423	SCREW (S/P)
3	33001165	COVER, TOP (WHT) DESCONTINUADO
4	33001242	PANEL, FRONT (WHT) (S/P)
5	33001241	HANDLE, DOOR (WHT) (S/P)
6	214354	SCREW (S/P)
7	33001230	HINGE, DOOR (S/P)
8	204439	SCREW & FSTNER ASSY(FRT.PANEL) (S/P)
9	215075	FASTENER, CNTRL PNL TO CONSOLE (S/P)
10	Y313561	SCREW----NA (S/P)
10	Y310632	SCREW (S/P)
11	Y303361	BASE ASSY. (S/P)
12	314137	FOOT, RUBBER
13	305086	ADJUSTABLE LEG & NUT
14	62739	NUT
15	213007	SCREW, CABINET (S/P)
16	33001327	CABINET (WHT) (S/P)
17	210186	SCREW, GROUND WIRE TO BASE--NA (S/P)
18	33002342	PLUG, SIGHT HOLE (WHT) (S/P)

Distribuidor Autorizado

SurteRápido.com

Venta de Refacciones
Electrodomesticas

LDG7304AAE GABINETE





LDG7304AAE GABINETE

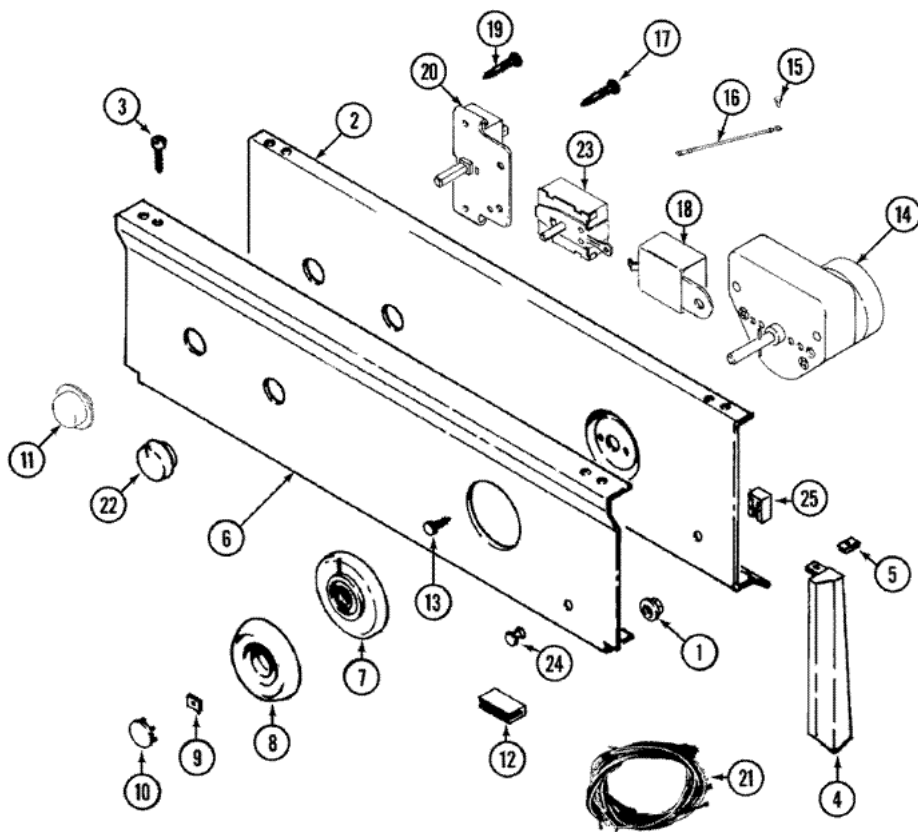
1	Y312905	COVER, TERMINAL DESCONTINUADO
2	33001284	CORD, POWER (S/P)
3	211881	GROMMET, CORD
4	303846	SCREW & WASHER ASSY. (S/P)
5	301548	CLAMP, GROUND (W/SCREW) (S/P)
6	204807	GRND.WIRE, SUPP.PLTE TO TOP CVR (S/P)
7	Y313559	SCREW (S/P)
8	211294	SCREW (S/P)
9	Y312951	COVER, ACCESS DESCONTINUADO
10	305086	ADJUSTABLE LEG & NUT
11	314137	FOOT, RUBBER
12	62739	NUT
13	Y303361	BASE ASSY. (S/P)
14	213007	SCREW, CABINET (S/P)
15	33001327	CABINET (WHT) (S/P)
16	Y310632	SCREW (S/P)
16	Y313561	SCREW----NA (S/P)
17	Y310376	CLIP, WIRE HARNESS (S/P)
18	Y313561	SCREW----NA (S/P)

Distribuidor Autorizado

SurteRápido.com

Venta de Refacciones
Electrodomesticas

LDG7304AAE TABLERO

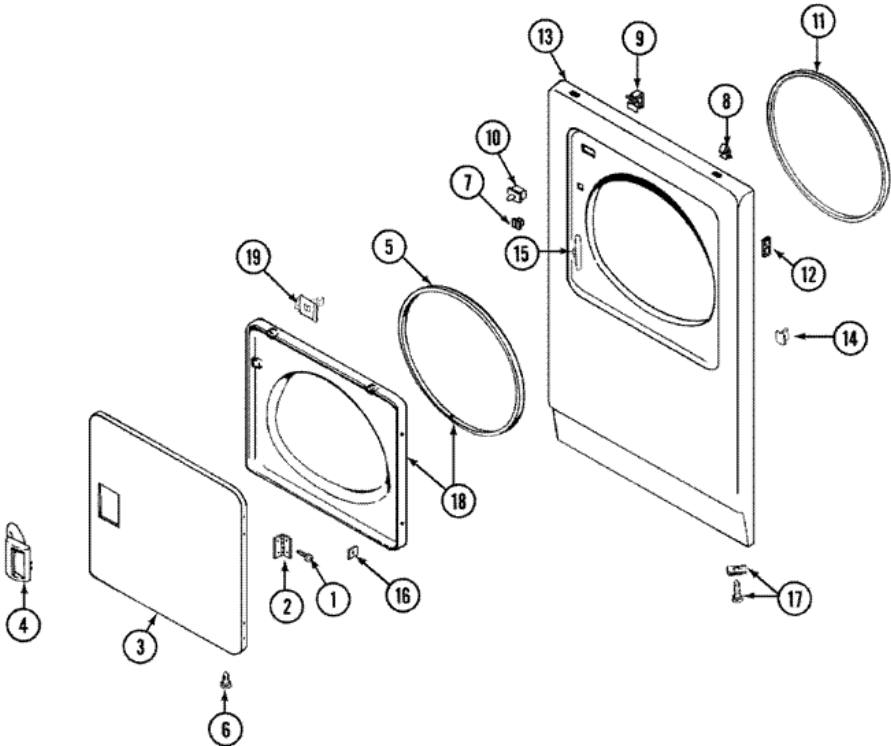




LDG7304AAE TABLERO

1	214872	PALNUT, END CAP (S/P)
2	33001237	PLATE, SUPPORT (S/P)
3	210932	SCREW, No.8 X 9/16 CTSK (S/P)
4	22001291	END CAP, CTRL. PNL. (RT-WHT) (S/P)
4	22001289	END CAP, CTRL. PNL. (LT-WHT) (S/P)
4	22001565	CAP, END (LT-WHT) (S/P)
4	22001564	CAP, END (RT-WHT) (S/P)
5	214894	FASTENER, END CAP (S/P)
6	33001075	PANEL, CONTROL (WHT) (S/P)
7	33001183	SKIRT, TIMER DIAL (WHT) (S/P)
8	33001255	KNOB, TIMER (WHT) (S/P)
9	312273	NUT (S/P)
10	22001446	CAP, TIMER KNOB (WHT) (S/P)
11	33001187	BUTTON (WHT) (S/P)
12	214897	PAD, CONTROL PANEL (S/P)
13	315317	SCREW, SWITCHES (S/P)
14	308254	TIMER
15	210186	SCREW, GROUND WIRE TO BASE--NA (S/P)
16	204807	GRND.WIRE, SUPP.PLTE TO TOP CVR (S/P)
17	315317	SCREW, SWITCHES (S/P)
18	33001623	BUZZER (S/P)
19	315317	SCREW, SWITCHES (S/P)
20	33001232	SWITCH, PUSH TO START DESCONTINUADO
21	33001126	HARNESS, WIRE DESCONTINUADO
21	33001352	WIRE HARNESS, MAIN (S/P)
21	33001547	HARNESS, WIRE (S/P)
22	22001268	KNOB ASSY. (WHT) (S/P)
23	33001228	SWITCH, TEMP. (3 POSITIONS)
24	22001215	LENS, INDICATOR LIGHT (S/P)
25	33001224	LIGHT, INDICATOR (S/P)

LDG7304AAE PUERTA





LDG7304AAE PUERTA

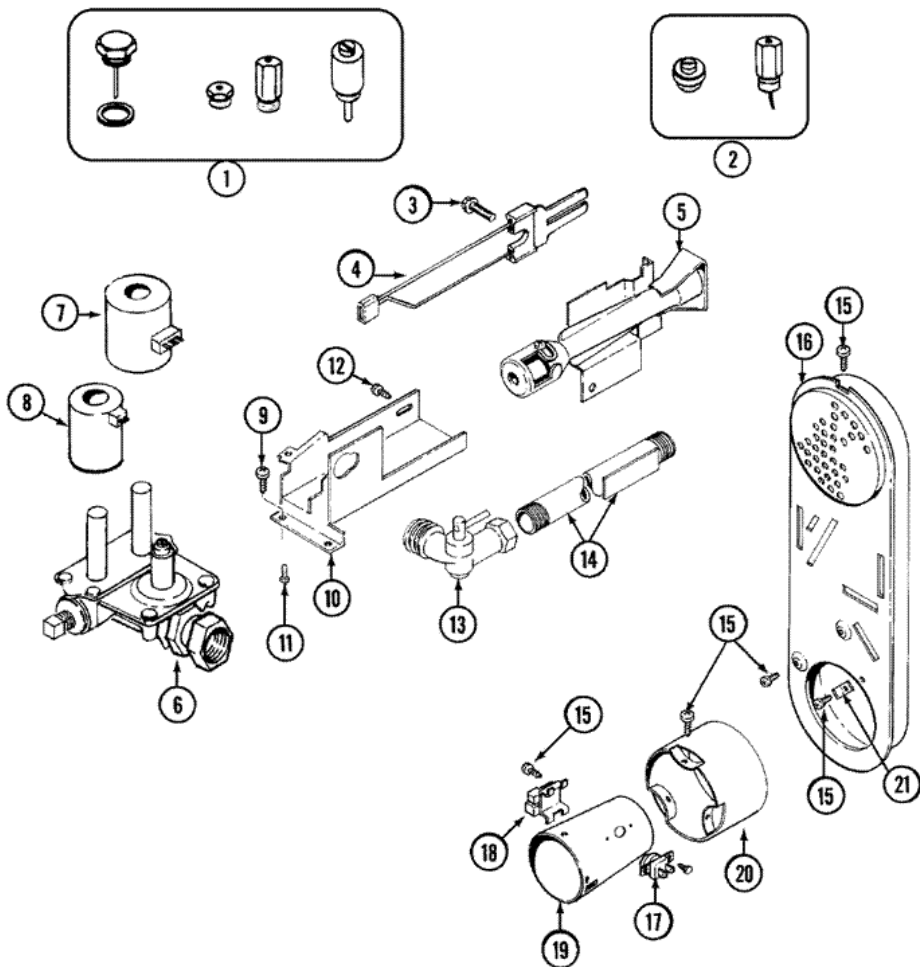
1	Y314062	SCREW (S/P)
2	33001230	HINGE, DOOR (S/P)
3	33001240	DOOR (WHT) (S/P)
4	33001241	HANDLE, DOOR (WHT) (S/P)
5	33001131	SEAL, DOOR (S/P)
6	33002342	PLUG, SIGHT HOLE (WHT) (S/P)
7	279570	CATCH, DOOR (FEMALE)
8	22001650	FASTENER, PANEL
9	Y310376	CLIP, WIRE HARNESS (S/P)
10	33001508	SWITCH, DOOR
10	Y305754	SWITCH, DOOR (S/P)
11	314937	SEAL, FRONT PANEL
12	12001163	SCREW, PLASTIC (S/P)
12	12001163	NUT, SPEED (S/P)
13	33001242	PANEL, FRONT (WHT) (S/P)
14	279570	PLUG, DOOR CATCH
15	33001175	COVER, HINGE HOLE (WHT) (S/P)
16	Y313910	CLIP, DOOR LINER TO OUTER PNL (S/P)
17	204439	SCREW & FSTNER ASSY(FRT.PANEL)
18	33001243	DOOR, INNER (W/SEAL) DESCONTINUADO
19	33001305	STRIKE, DOOR (W/BRACKET) (S/P)

Distribuidor Autorizado

SurteRápido.com

Venta de Refacciones
Electrodomesticas

LDG7304AAE QUEMADOR





LDG7304AAE QUEMADOR

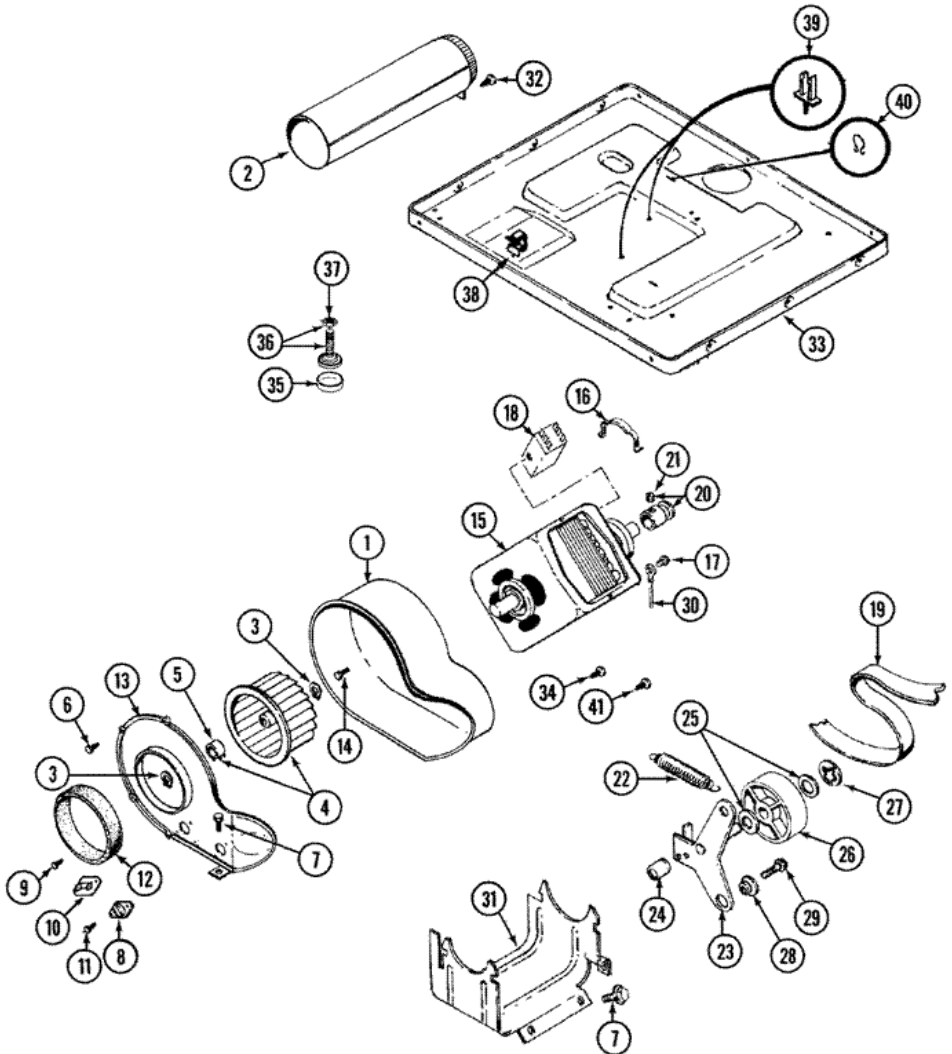
1	33002923	CONVERSION KIT (NATURAL TO LP)
2	33002924	CONVERSION KIT (LP TO NATURAL)
3	304971	SCREW (S/P)
4	WE4X750	IGNITER ASSY, GAS VALVE
5	33002793	BURNER ASSY.
6	306176	VALVE, GAS
7	694539	COIL, HOLDING & BOOSTER (S/P)
8	694540	COIL, SECONDARY (S/P)
9	Y313561	SCREW----NA (S/P)
10	314566	BRACKET, GAS VALVE (S/P)
11	Y313559	SCREW (S/P)
12	314568	SCREW-GAS VALVE TO BRACKET (S/P)
12	314082	SCREW (S/P)
13	Y303349	SHUT-OFF, GAS VALVE (S/P)
14	33001735	PIPE & BRACKET ASSY. (S/P)
15	211294	SCREW (S/P)
16	Y308504	INLET DUCT ASSY. (S/P)
17	303395	THERMOSTAT, HI-LIMIT (GAS)
18	338906	SENSOR, RADIANT
19	Y308548	CONE, COMBUSTION (S/P)
20	Y303841	CONE, EXTENSION (COMBUSTION) (S/P)
21	Y312890	RETAINER, HEATER CHAMBER (S/P)

Distribuidor Autorizado

SurteRápido.com

Venta de Refacciones
Electrodomesticas

LDG7304AAE BASE





LDG7304AAE BASE

1	Y312893	HOUSING, BLOWER (S/P)
2	Y303442	EXHAUST DUCT ASSY. DESCONTINUADO
3	9703438	RING, RETAINING (S/P)
4	303836	BLOWER WHEEL ASSEMBLY & CLAMP
5	312967	CLAMP, BLOWER HOUSING
6	Y312961	SCREW (S/P)
7	Y313561	SCREW----NA (S/P)
8	307250	THERMOSTAT, MULTI-TEMP (GAS)
9	211294	SCREW (S/P)
10	306604	CUT-OFF, THERMAL (S/P)
11	314848	SCREW (S/P)
12	312901	SEAL, BLOWER
13	314846	COVER, BLOWER HOUSING (S/P)
14	Y310632	SCREW (S/P)
15	3-3358	MOTOR
16	Y015825	CLIP, MOTOR (S/P)
17	910343	SCREW, GROUND WIRE (S/P)
18	306207	SWITCH, MOTOR START-PROD. DESCONTINUADO
18	Y303879	SWITCH, MOTOR STARTPROD. (S/P)
18	Y303877	SWITCH, MOTOR DESCONTINUADO
19	Y312959	BELT, TUMBLER & MOTOR (S/P)
20	Y305185	PULLEY, MOTOR (W/SET SCREW) (S/P)
21	Y053241	SET SCREW, PULLEY (S/P)
22	Y303945	IDLER SPRING ASSEMBLY (S/P)
23	Y303363	IDLER ARM & SHAFT ASSY.
24	Y313582	SPACER, IDLER BRACKET (S/P)
25	Y312527	WASHER, IDLER SHAFT (QTY-1) (S/P)
26	303705	PULLEY, IDLER
27	312958	RETAINING RING, IDLER SHAFT (S/P)
28	315772	SLEEVE, IDLER ARM (S/P)
29	Y014874	SCREW (S/P)
30	901220	WIRE, GROUND (S/P)
31	312897	SUPPORT, MOTOR

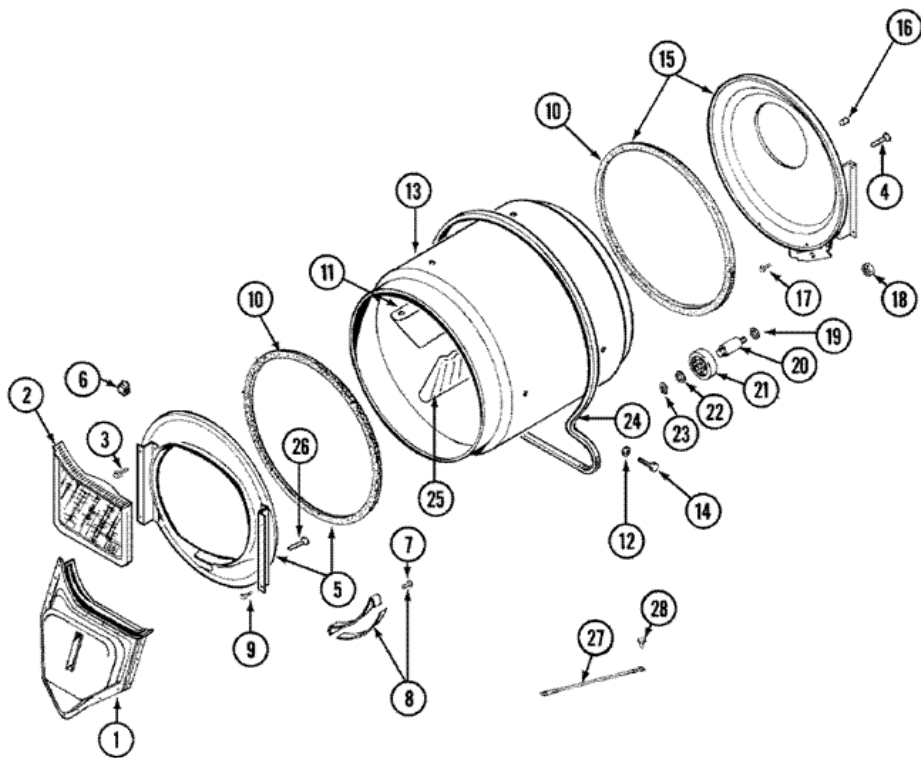
32	Y310632	SCREW (S/P)
33	Y305084	BASE (S/P)
34	211294	SCREW (S/P)
35	314137	FOOT, RUBBER
36	305086	ADJUSTABLE LEG & NUT
37	62739	NUT
38	Y310376	CLIP, WIRE HARNESS (S/P)
39	22003298	RETAINER, WIRE (S/P)
40	410490	SPRING, WIRE HARNESS (S/P)
41	Y312961	SCREW (S/P)

Distribuidor Autorizado

SurteRápido.com

Venta de Refacciones
Electrodomesticas

LDG7304AAE TAMBOR





LDG7304AAE TAMBOR

1	33001016	DUCT ASSY., OUTLET (S/P)
2	33002970	FILTER, LINT
3	313764	SCREW DESCONTINUADO
4	Y313561	SCREW----NA (S/P)
5	33001179	FRONT, TUMBLER (W/SEAL) (S/P)
6	Y310376	CLIP, WIRE HARNESS (S/P)
7	210720	RIVET (S/P)
8	306508	TUMBLER BEARING KIT
9	Y310632	SCREW (S/P)
10	314820	SEAL, TUMBLER
11	33001012	BAFFLE (SHORT) (S/P)
12	314158	WASHER (S/P)
13	33001108	DRYER TUMBLER, W/O BAFFLES DESCONTINUADO
14	Y310759	SCREW (S/P)
15	33001178	BACK, TUMBLER (W/SEAL) (S/P)
16	313915	COVER, THREAD (S/P)
17	Y310632	SCREW (S/P)
18	33001443	NUT, ROLLER SHAFT (S/P)
19	312535	WASHER, SPRING (ROLLER SHAFT) (S/P)
20	Y312948	SHAFT, TUMBLER ROLLER (S/P)
21	12001541	BEARING & ROLLER ASSEMBLY
22	312535	WASHER, ROLLER SHAFT (S/P)
23	9703438	RING, RETAINING (S/P)
24	Y312959	BELT, TUMBLER & MOTOR (S/P)
25	33001004	BAFFLE, TALL (S/P)
26	Y314110	SCREW, INLET DUCT (S/P)
27	901220	WIRE, GROUND (S/P)
28	910343	SCREW, GROUND WIRE (S/P)