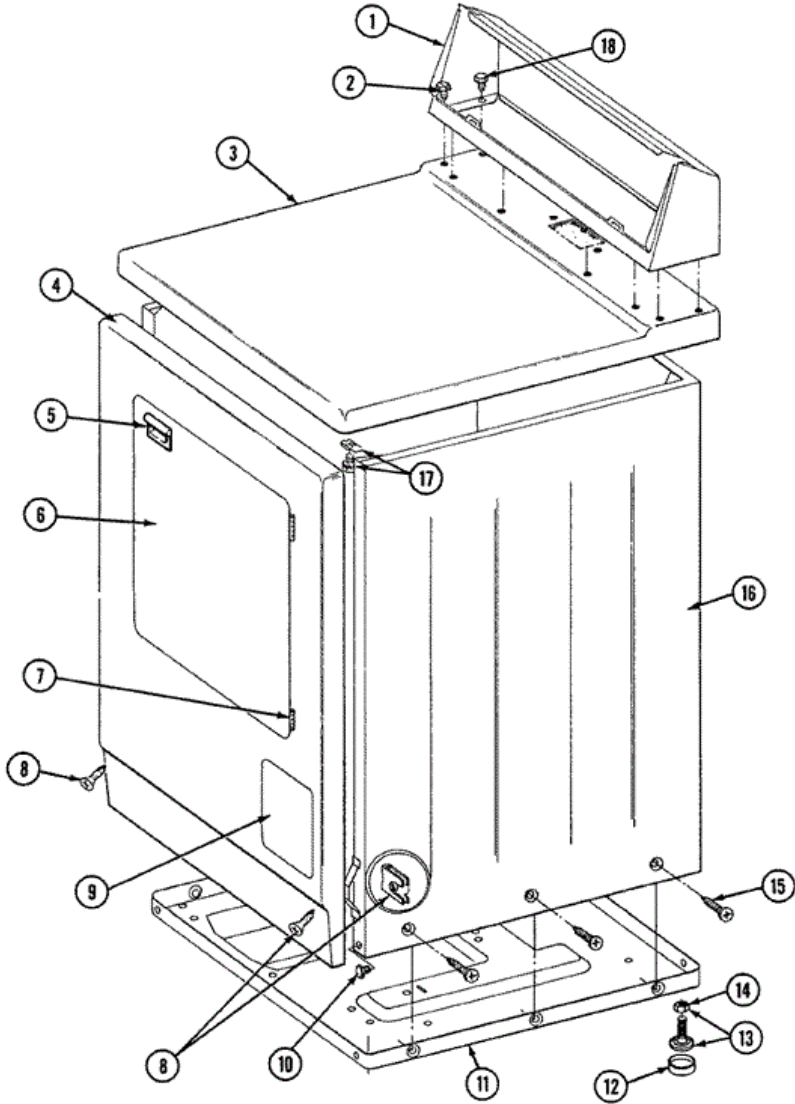


**LDG7400AAL GABINETE**

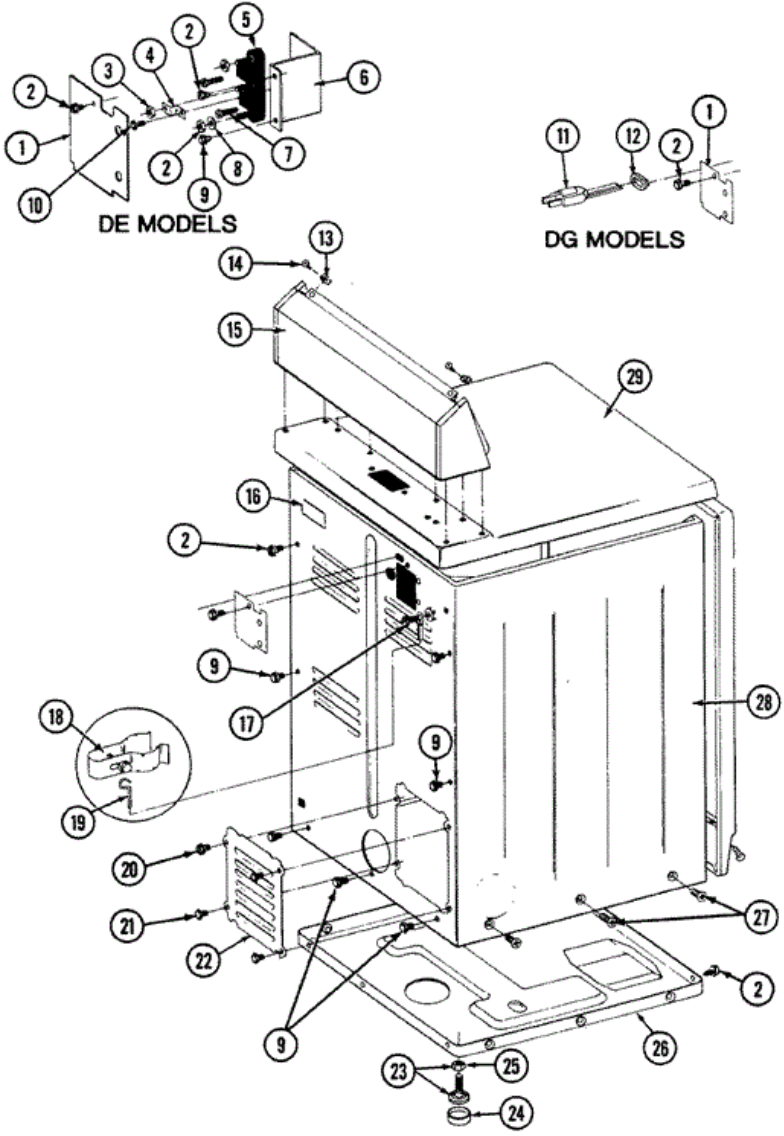




## LDG7400AAL GABINETE

1	305193L	A5	CONSOLE (ALM)
2	Y313559	A5	SCREW
3	307104L	A5	TOP COVER ASSY
4	307998L	A5	FRONT PANEL----NA
4	308000L	A5	FRONT PANEL ASSY
5	314972	A5	HANDLE DOOR ALM
6	307111L	A5	DOOR ASSY ALMOND
6	314966L	A5	DOOR PANEL ALMOND
7	307099	A5	HINGE
8	204439	A5	SCREW & FSTNER ASSY(FRT.PANEL)
9	302542L	A5	ACCESS DOOR-ALMOND
10	Y310632	A5	SCREW
11	Y303361	A5	BASE ASSY.
12	Y314137	A5	FOOT, RUBBER
13	Y305086	A5	ADJUSTABLE LEG & NUT
14	Y052740	A5	NUT
15	213007	A5	SCREW, CABINET
16	307124L	A5	CABINET ASSY ALMOND
17	204445	A5	SCREW & FASTENER ASY.
18	211294	A5	SCREW

**LDG7400AAL GABINETE**

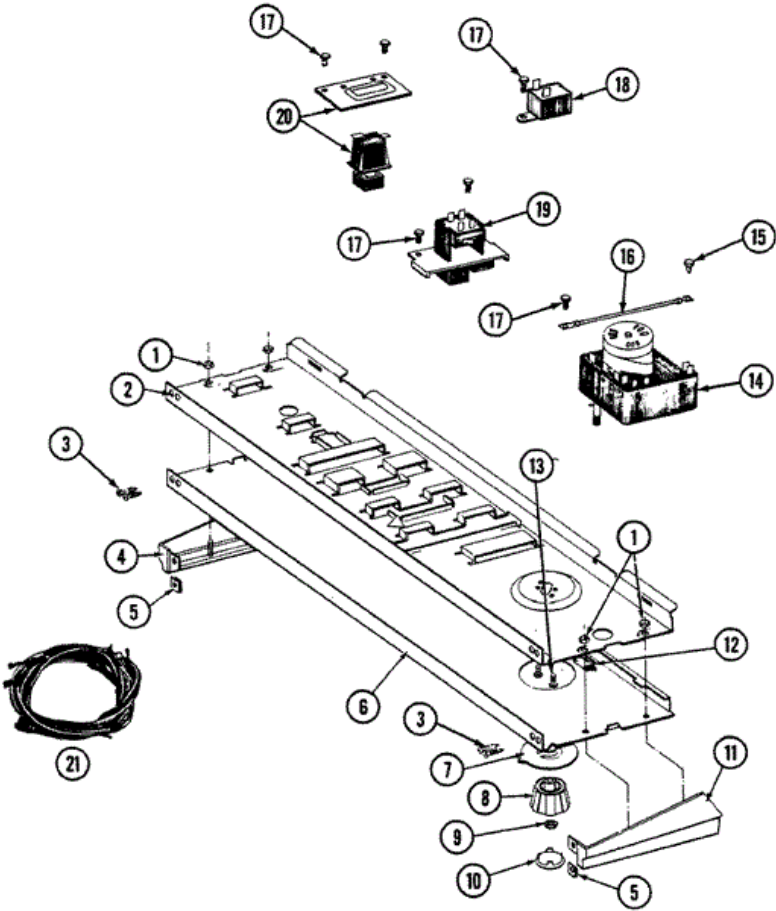
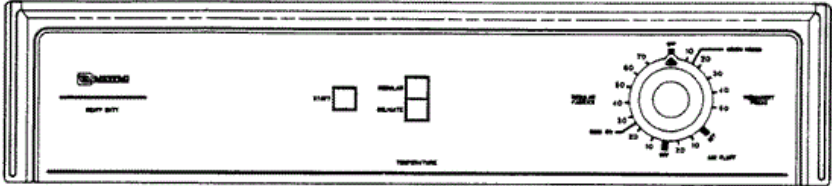




## LDG7400AAL GABINETE

1	Y312905	A3	COVER, TERMINAL
2	Y313561	A3	SCREW----NA
3	311484	A3	NUT, TERMINAL BLOCK
4	Y312184	A3	STRAP, GROUND
5	400008	A3	BLOCK, TERMINAL
6	Y312904	A3	BRACKET, TERMINAL BLOCK
7	Y312209	A3	SCREW, No.10-24 X 3/4 INCH
8	Y311270	A3	WASHER, TERMINAL BLOCK
9	Y310632	A3	SCREW
10	Y311423	A3	SCREW, No.10-32 X 1/2 INCH
11	302521	A3	POWER CORD
12	211881	A3	GROMMET, CORD
13	215075	A3	FASTENER,CNTRL PNL TO CONSOLE
14	210932	A3	SCREW, No.8 X 9/16 CTSK
15	305193L	A3	CONSOLE (ALM)
16	214519	A3	LABEL, ELECTRICAL INSTRUCTION
17	303846	A3	SCREW & WASHER ASSY.
18	301548	A3	CLAMP, GROUND (W/SCREW)
19	311155	A3	GROUND WIRE
20	Y313559	A3	SCREW
21	211294	A3	SCREW
22	Y312951	A3	COVER, ACCESS
23	Y305086	A3	ADJUSTABLE LEG & NUT
24	Y314137	A3	FOOT, RUBBER
25	Y052740	A3	NUT
26	Y303361	A3	BASE ASSY.
27	213077	A3	CAP FOR TIMER KNOB
28	307124L	A3	CABINET ASSY ALMOND
29	307104L	A3	

**LDG7400AAL TABLERO**

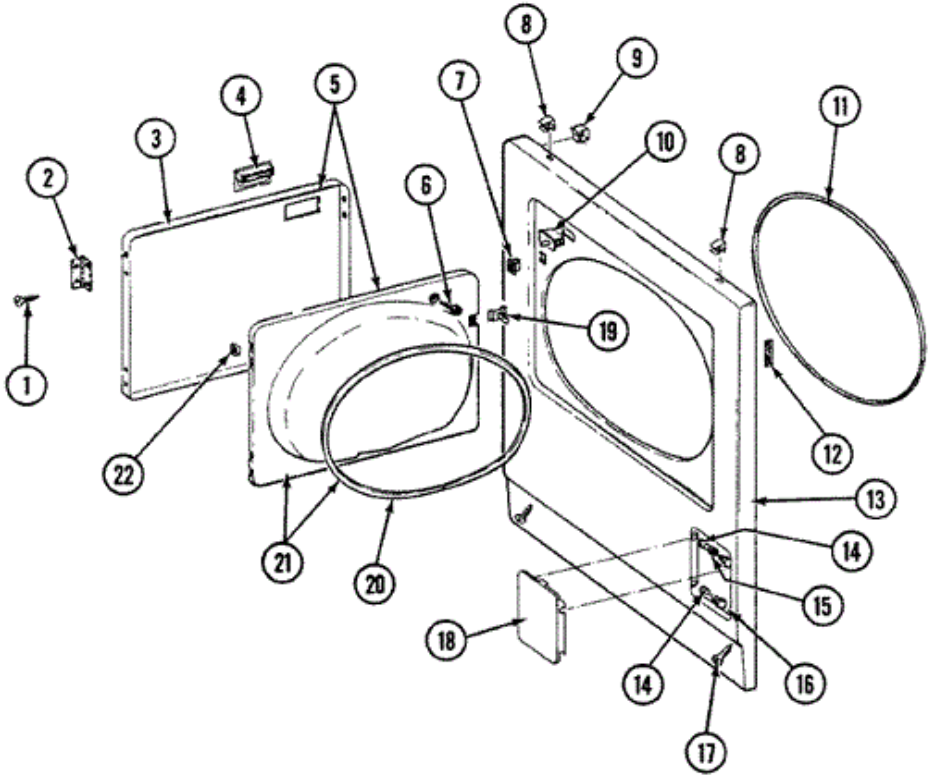




## LDG7400AAL TABLERO

2	314184	A3	BACK UP PLATE
3	210932	A3	SCREW, No.8 X 9/16 CTSK
4	207215	A3	END CAP LH
5	214894	A3	FASTENER, END CAP
6	307316	A3	CONTROL PANEL
7	315042	A3	DIAL SKIRT
8	315041	A3	KNOB, TIMER
9	312273	A3	NUT
10	215821	A3	CAP, KNOB
11	207216	A3	END CAP RH
12	214897	A3	PAD, CONTROL PANEL
13	315317	A3	SCREW, SWITCHES
14	308222	A3	TIMER
15	211294	A3	SCREW
16	204807	A3	GRND.WIRE,SUPP.PLTE TO TOP CVR
17	211168	A3	SCREW, No.8 X 5/16 INCH
18	305205	A3	BUZZER - NON-ADJUSTABLE
19	207365	A3	2 BUTTON SWITCH
20	307305	A3	SWITCH PUSH TO START
21	307274	A3	WIRE HARNESS
21	308497	A5	HARNESS, WIRE
22	16000327	A3	GUIDE, QUICK REF. - MAYTAG
22	315076	A3	MANUAL, USE & CARE
22	315090	A3	MANUAL, USE & CARE

**LDG7400AAL PUERTA**





## LDG7400AAL PUERTA

1	Y314062	A3	SCREW
2	307099	A3	HINGE
3	314966L	A3	DOOR PANEL ALMOND
4	314972	A3	HANDLE DOOR ALM
5	307111L	A3	DOOR ASSY ALMOND
6	312960	A3	SCREW - INLET DUCT
7	306436	A3	DOOR LATCH KIT
8	212982	A3	FASTENER, PANEL
9	Y310376	A3	CLIP, WIRE HARNESS
10	Y305753	A3	SWITCH, DOOR
11	314937	A3	SEAL, FRONT PANEL
12	Y313907	A3	TWIN FASTENER
13	307998L	A3	FRONT PANEL----NA
13	308000L	A3	FRONT PANEL ASSY
14	312301	A3	BUSHING FOR ACCESS STUD
15	312369	A3	SLEEVE-ACCESS PANEL STUD
16	212949	A3	SCREW
17	204439	A3	SCREW & FSTNER ASSY(FRT.PANEL)
18	302542L	A3	ACCESS DOOR-ALMOND
19	314936	A3	DOOR STRIKE
20	314935	A3	DOOR SEAL
21	307098	A3	DOOR, INNER (W/SEAL)
22	314941	A3	LABEL, INSTRUCTION
22	315441	A3	LABEL, INSTRUCTION CANADA
22	Y313910	A3	CLIP, DOOR LINER TO OUTER PNL

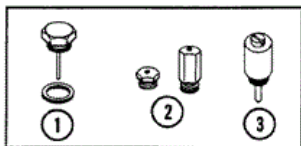


Distribuidor Autorizado

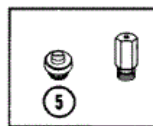
SurteRápido.com

Venta de Refacciones  
Electrodomesticas

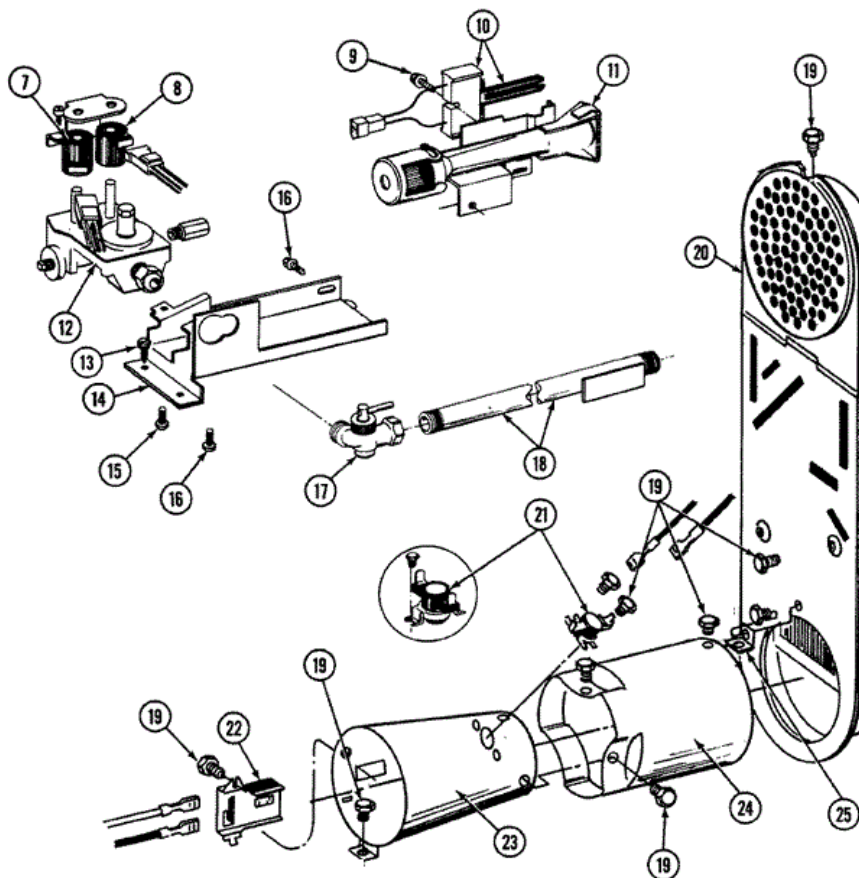
## LDG7400AAL QUEMADOR



4



6

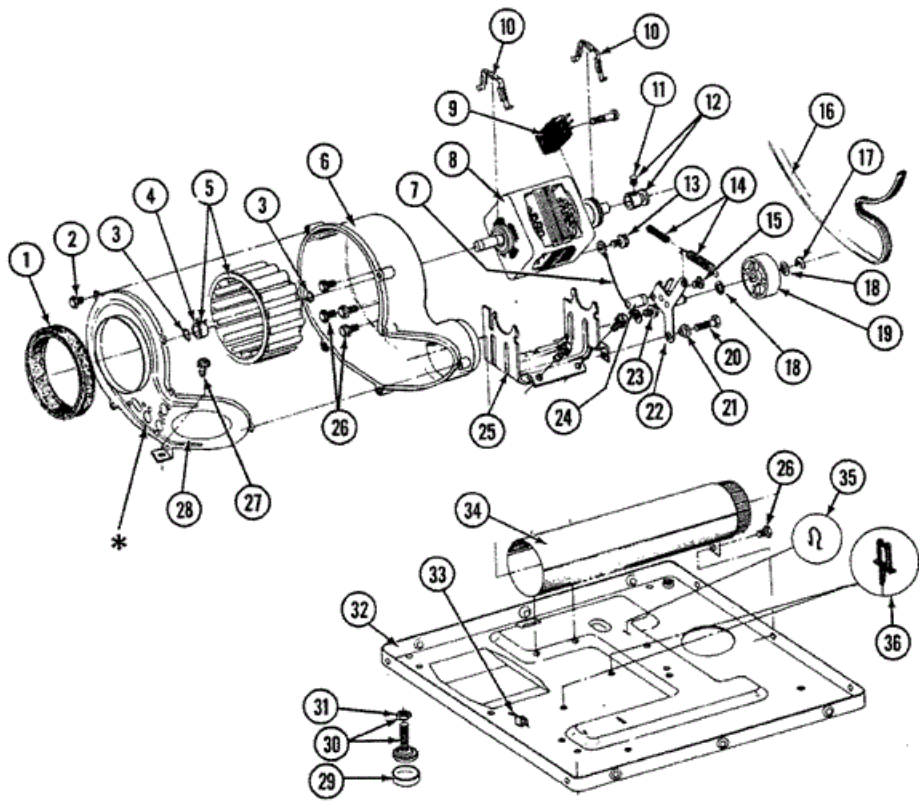




## LDG7400AAL QUEMADOR

1	302810	A3	SCREW ASSM - BLUE BLOCK OPE
2	305861	A3	MAIN BURNER ORIFICE KIT-LPG
3	306184	A3	PLUG, BLOCKING (LPG REGULATOR)
4	Y306195	A3	CONVERSION KIT (NATURAL TO LP)
5	314602	A3	LEAK LIMITER (LPG)
6	306204	A3	CONVERSION KIT (LP TO NATURAL)
7	306106	A3	COIL, HOLDING & BOOSTER
8	306105	A3	COIL, SECONDARY
9	304971	A3	SCREW
10	304970	A3	IGNITER ASSY, GAS VALVE
11	304974	A3	BURNER ASSEMBLY
12	306176	A3	VALVE, GAS
13	Y313561	A3	SCREW----NA
14	314566	A3	BRACKET, GAS VALVE
15	314082	A3	SCREW
16	Y313559	A3	SCREW
17	Y303349	A3	SHUT-OFF, GAS VALVE
18	Y303383	A3	PIPE & BRACKET ASSY.
19	211294	A3	SCREW
20	307119	A3	INLET DUCT ASSY.
20	Y308504	A5	INLET DUCT ASSY.
21	303395	A3	THERMOSTAT, HI-LIMIT (GAS)
22	Y303377	A3	SENSOR, RADIANT
23	Y303368	A3	CONE, COMBUSTION
23	Y308548	A5	CONE, COMBUSTION
24	Y303841	A3	CONE, EXTENSION (COMBUSTION)
25	Y312890	A3	RETAINER, HEATER CHAMBER

**LDG7400AAL MOTOR**





## LDG7400AAL MOTOR

1	Y312901	A3	SEAL, BLOWER
2	Y312961	A3	SCREW
3	410233	A3	RING, RETAINING
4	312967	A3	CLAMP, BLOWER HOUSING
5	Y303836	A3	BLOWER WHEEL ASSEMBLY & CLAMP
6	Y312893	A3	HOUSING, BLOWER
7	901220	A3	WIRE, GROUND
8	Y303358	A3	MOTOR
9	306207	A3	SWITCH, MOTOR START-PROD.
9	Y303877	A3	SWITCH, MOTOR
9	Y303879	A3	SWITCH, MOTOR START-PROD.
10	Y015825	A3	CLIP, MOTOR
11	Y053241	A3	SET SCREW, PULLEY
12	Y305185	A3	PULLEY, MOTOR (W/SET SCREW)
13	910343	A3	SCREW, GROUND WIRE
14	Y303945	A3	IDLER SPRING ASSEMBLY
15	Y312961	A3	SCREW
16	Y312959	A3	BELT, TUMBLER & MOTOR
17	312958	A3	RETAINING RING, IDLER SHAFT
18	Y312527	A3	WASHER, IDLER SHAFT (QTY-1)
19	Y303705	A3	PULLEY, IDLER
20	Y014874	A3	SCREW
21	Y312894	A3	SLEEVE, IDLER ARM
22	Y303363	A3	IDLER ARM & SHAFT ASSY.
23	211294	A3	SCREW
24	Y313582	A3	SPACER, IDLER BRACKET
25	312897	A3	SUPPORT, MOTOR
26	Y310632	A3	SCREW
27	Y313561	A3	SCREW----NA
28	314778	A3	COVER FOR BLOWER
28	314846	A3	COVER, BLOWER HOUSING
29	Y314137	A3	FOOT, RUBBER
30	Y305086	A3	ADJUSTABLE LEG & NUT

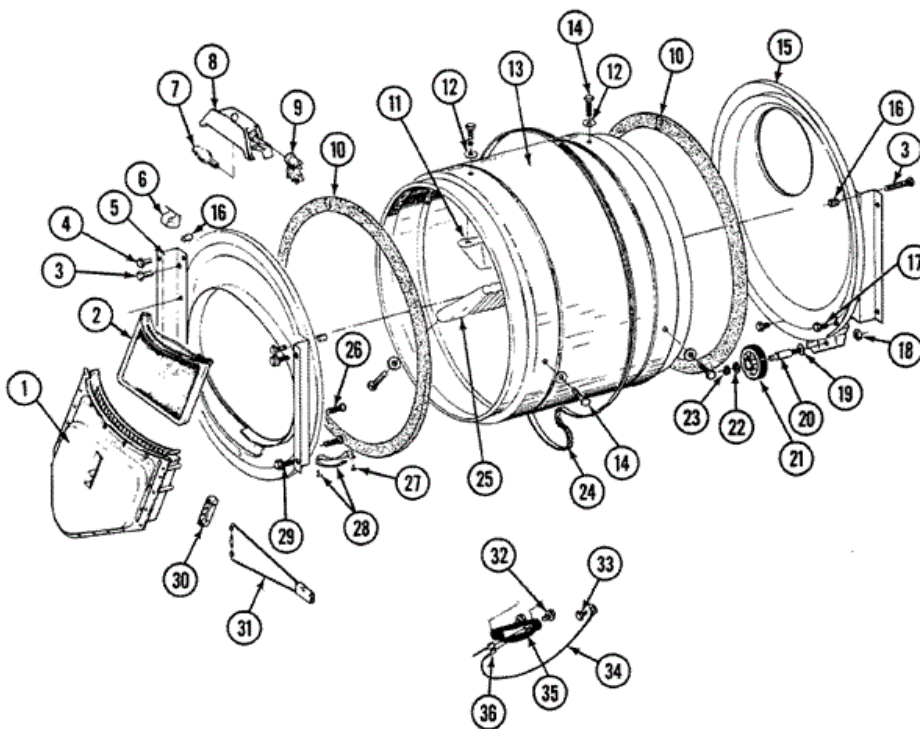
31	Y052740	A3	NUT
32	Y303361	A3	BASE ASSY.
33	Y310376	A3	CLIP, WIRE HARNESS
34	Y303442	A3	EXHAUST DUCT ASSY.
35	410490	A3	SPRING, WIRE HARNESS
36	Y313262	A3	RETAINER, WIRE HARNESS

Distribuidor Autorizado

**SurteRápido.com**

Venta de Refacciones  
Electrodomesticas

LDG7400AAL TAMBOR





## LDG7400AAL TAMBOR

1	Y307112	A3	DUCT, OUTLET ASSY.
2	307213	A3	LINT SCREEN
2	Y307107	A3	LINT FILTER
3	313764	A3	SCREW
4	Y313561	A3	SCREW----NA
5	307109	A3	FRONT, TUMBLER (W/SEAL)
5	307117	A3	TUMBLER FRONT W/SEAL
5	307311	A3	TUMBLE FRONT ASSY W/SEAL
6	Y310376	A3	CLIP, WIRE HARNESS
7	Y307100	A3	LIGHT
8	314955	A3	ENCLOSURE, LIGHT
9	307097	A3	HOLDER, LIGHT
10	314820	A3	SEAL, TUMBLER
11	314803	A3	BAFFLE (SHORT)
12	314158	A3	WASHER
13	306663	A3	TUMBLER W/BAFFLES
13	314802	A3	TUMBLER W/OUT BAFFLES
14	Y310759	A3	SCREW
15	Y307114	A3	BACK, TUMBLER (W/SEAL)
15	Y308544	A5	BACK, TUMBLER (W/SEAL)
16	313915	A3	COVER, THREAD
17	211294	A3	SCREW
18	312538	A3	NUT, ROLLER SHAFT
19	Y313347	A3	WASHER, SPRING (ROLLER SHAFT)
20	Y312948	A3	SHAFT, TUMBLER ROLLER
21	Y303373	A3	BEARING & ROLLER ASSEMBLY
22	312535	A3	WASHER, ROLLER SHAFT
23	410233	A3	RING, RETAINING
24	Y312959	A3	BELT, TUMBLER & MOTOR
25	314804	A3	BAFFLE (TALL)
26	Y314110	A3	SCREW, INLET DUCT
27	210720	A3	RIVET
28	306508	A3	TUMBLER BEARING KIT

29	Y310632	A3	SCREW
30	315020	A3	SWITCH HOUSING
31	307206	A3	REED SWITCH ASSY
32	Y251119	A3	SCREW
33	211294	A3	SCREW
34	Y303711	A3	SENSOR GROUND WIRE
35	304997	A3	SENSOR ASSEMBLY WITH SCREWS
36	Y312658	A3	RECEPTACLE, SENSOR GROUND WIRE