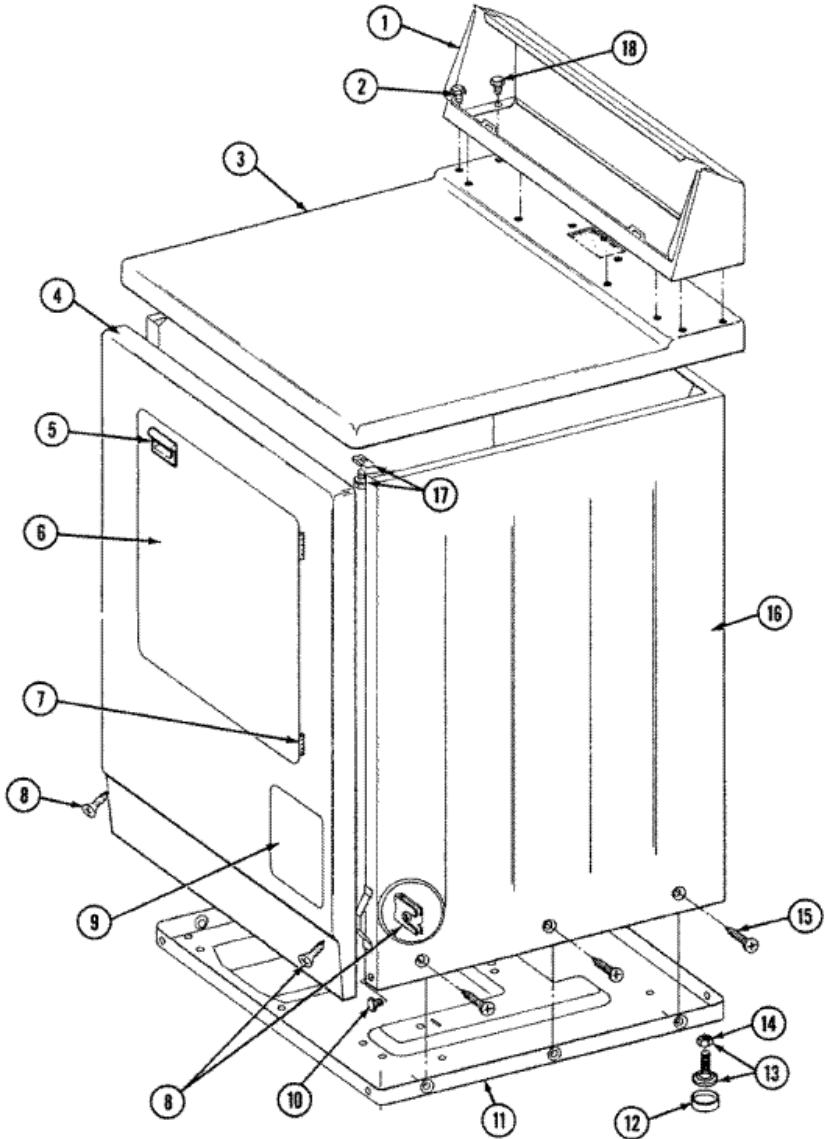


LDG7600AAL GABINETE





LDG7600AAL GABINETE

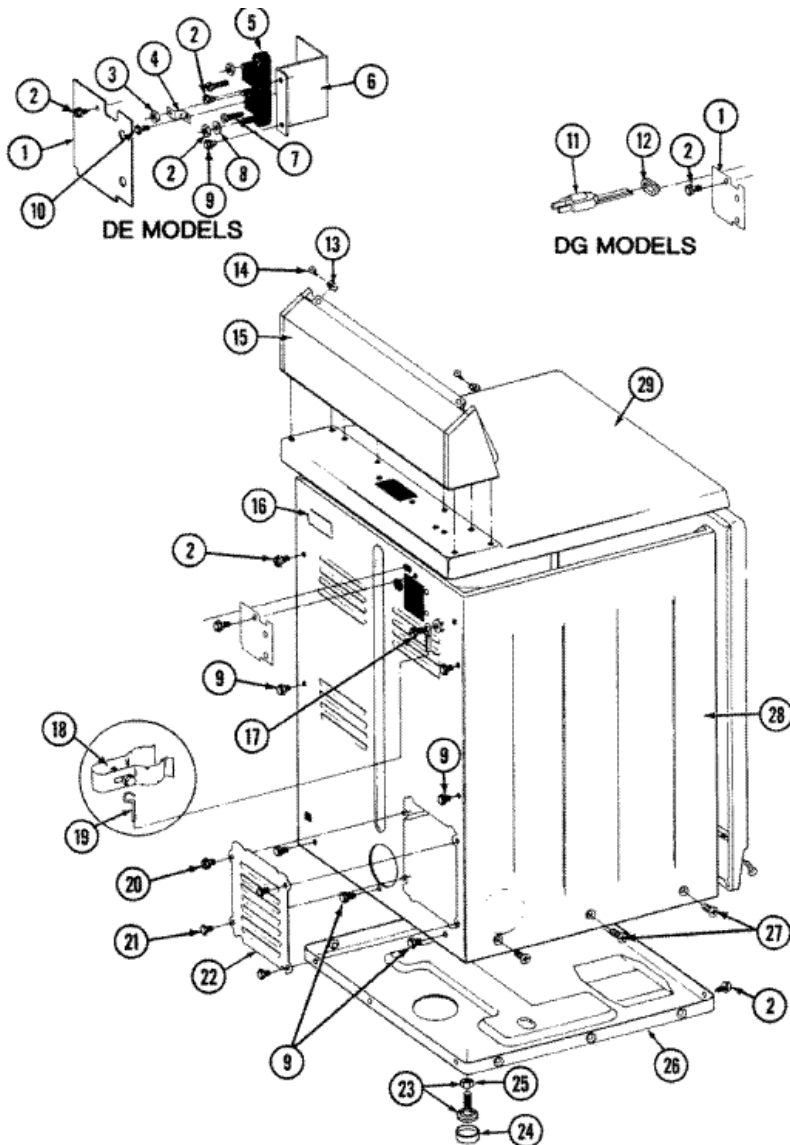
1	305193L	CONSOLE (ALM) (S/P)
2	Y313559	SCREW (S/P)
3	307104L	TOP COVER ASSY (S/P)
4	308000L	FRONT PANEL ASSY (S/P)
4	307998L	FRONT PANEL DESCONTINUADO
6	308061L	DOOR ASSY ALMOND (S/P)
6	314966L	DOOR PANEL ALMOND DESCONTINUADO
7	307099	HINGE (S/P)
8	204439	SCREW & FSTNER ASSY(FRT.PANEL) (S/P)
9	302542L	ACCESS DOOR-ALMOND DESCONTINUADO
10	Y310632	SCREW (S/P)
11	Y303361	BASE ASSY. (S/P)
12	314137	FOOT, RUBBER
13	305086	ADJUSTABLE LEG & NUT
14	Y052740	NUT (S/P)
15	213007	SCREW, CABINET (S/P)
16	307124L	CABINET ASSY ALMOND (S/P)
17	204445	SCREW & FASTENER ASY. (S/P)
18	211294	SCREW (S/P)

Distribuidor Autorizado

SurteRápido.com

Venta de Refacciones
Electrodomesticas

LDG7600AAL GABINETE





LDG7600AAL GABINETE

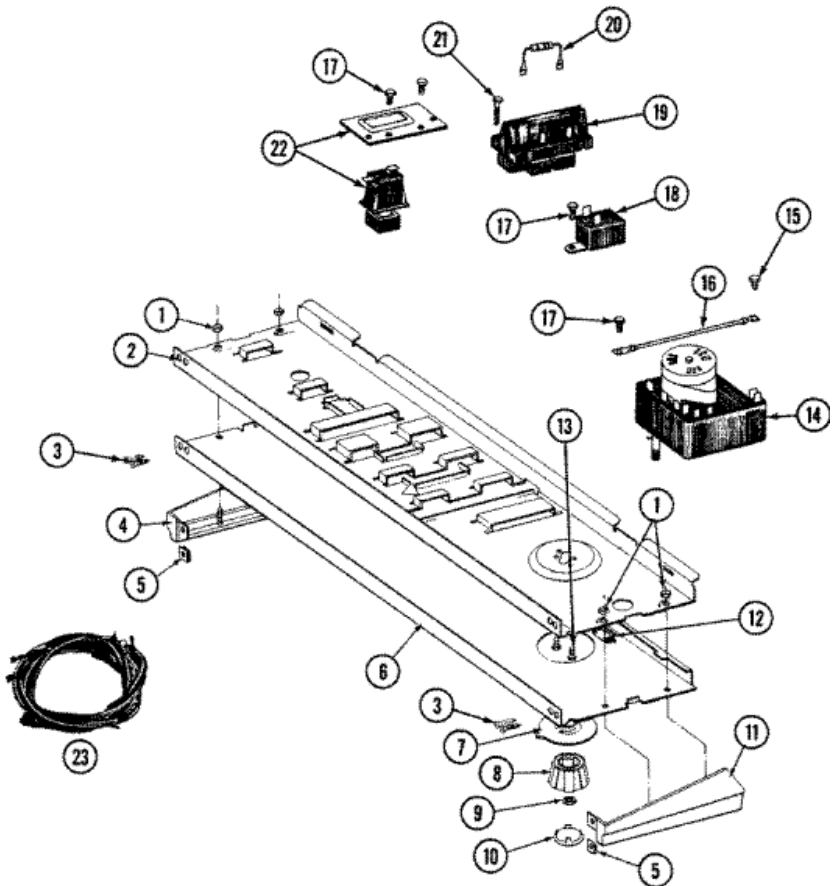
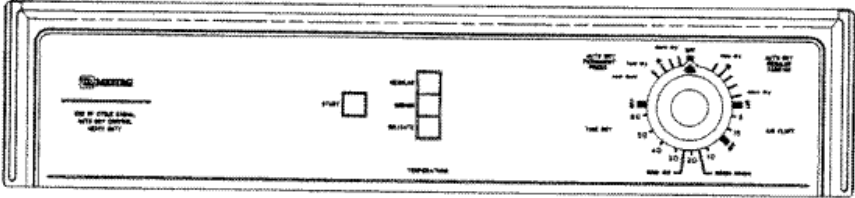
1	Y312905	COVER, TERMINAL (S/P)
2	Y313561	SCREW DESCONTINUADO
3	311484	NUT, TERMINAL BLOCK (S/P)
4	Y312184	STRAP, GROUND (S/P)
5	400008	BLOCK, TERMINAL (S/P)
6	Y312904	BRACKET, TERMINAL BLOCK (S/P)
7	Y312209	SCREW, No.10-24 X 3/4 INCH (S/P)
8	Y311270	WASHER, TERMINAL BLOCK (S/P)
9	Y310632	SCREW (S/P)
10	Y311423	SCREW, No.10-32 X 1/2 INCH (S/P)
11	33001284	POWER CORD (S/P)
12	2-11881	GROMMET, CORD
13	215075	FASTENER, CNTRL PNL TO CONSOLE (S/P)
14	210932	SCREW, No.8 X 9/16 CTSK (S/P)
15	305193L	CONSOLE (ALM) (S/P)
16	214519	LABEL, ELECTRICAL INSTRUCTION (S/P)
17	303846	SCREW & WASHER ASSY. (S/P)
18	301548	CLAMP, GROUND (W/SCREW) (S/P)
19	311155	GROUND WIRE (S/P)
20	Y313559	SCREW (S/P)
21	211294	SCREW (S/P)
22	Y312951	COVER, ACCESS (S/P)
23	305086	ADJUSTABLE LEG & NUT
24	314137	FOOT, RUBBER
25	Y052740	NUT (S/P)
26	Y303361	BASE ASSY. (S/P)
27	213077	CAP FOR TIMER KNOB (S/P)
28	307124L	CABINET ASSY ALMOND (S/P)
29	307104L	TOP COVER ASSY (S/P)

Distribuidor Autorizado

SurteRápido.com

Venta de Refacciones
Electrodomesticas

LDG7600AAL TABLERO





LDG7600AAL TABLERO

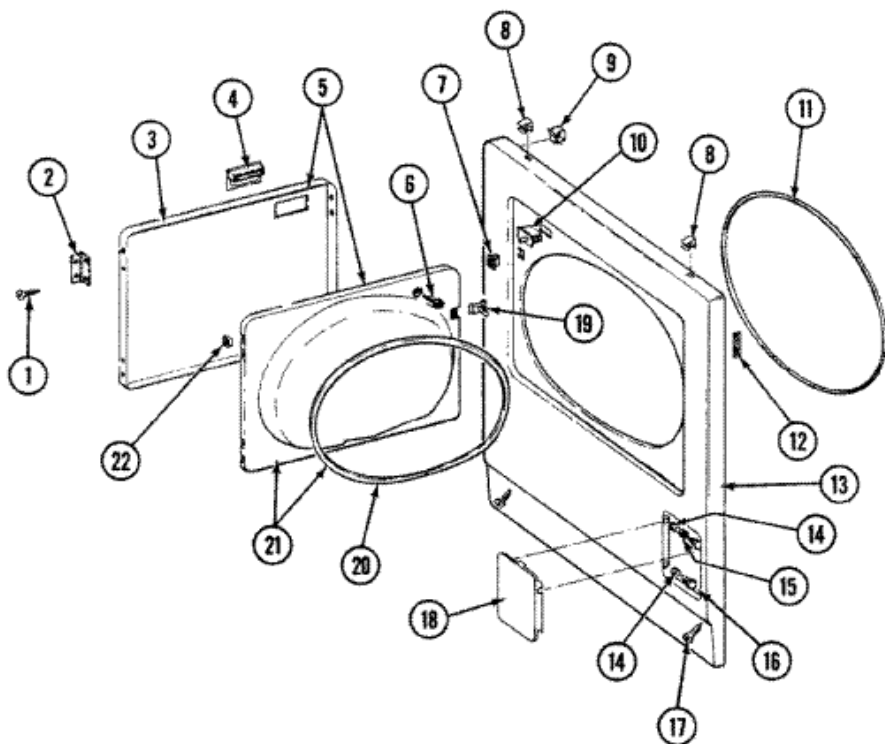
1	214872	PALNUT, END CAP (S/P)
2	314184	BACK UP PLATE (S/P)
3	210932	SCREW, No.8 X 9/16 CTSK (S/P)
4	207215	END CAP LH (S/P)
5	214894	FASTENER, END CAP (S/P)
6	308263	CONTROL PANEL DESCONTINUADO
7	315042	DIAL SKIRT (S/P)
8	315041	KNOB, TIMER (S/P)
9	312273	NUT (S/P)
10	215821	CAP, KNOB DESCONTINUADO
11	207216	END CAP RH (S/P)
12	214897	PAD, CONTROL PANEL (S/P)
13	315317	SCREW, SWITCHES (S/P)
14	308218	TIMER RPR
15	211294	SCREW (S/P)
16	204807	GRND.WIRE, SUPP.PLTE TO TOP CVR (S/P)
17	211168	SCREW, No.8 X 5/16 INCH (S/P)
18	694419	BUZZER - NON-ADJUSTABLE (S/P)
19	307304	TEMP CONTROL SWITCH 3 BUTTON
20	306917	RESISTOR, MED TEMP GAS (S/P)
21	213117	SCREW-TEMP. SWITCH TO PANEL (S/P)
22	307305	SWITCH PUSH TO START (S/P)
23	308333	WIRE HARNESS (S/P)
24	315091	MANUAL, USE & CARE (S/P)
24	16000327	GUIDE, QUICK REF. - MAYTAG DESCONTINUADO
24	315077	MANUAL, USE & CARE (S/P)

Distribuidor Autorizado

SurteRápido.com

Venta de Refacciones
Electrodomesticas

LDG7600AAL PUERTA





LDG7600AAL PUERTA

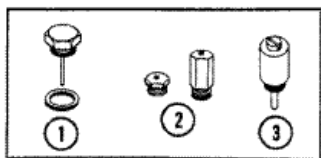
1	Y314062	SCREW (S/P)
2	33001230	HINGE (S/P)
3	314966L	DOOR PANEL ALMOND DESCONTINUADO
4	314972	HANDLE DOOR ALM (S/P)
5	308061L	DOOR ASSY ALMOND (S/P)
6	312960	SCREW - INLET DUCT (S/P)
7	306436	DOOR LATCH KIT
8	22001650	FASTENER, PANEL
9	Y310376	CLIP, WIRE HARNESS (S/P)
10	33001508	SWITCH, DOOR
11	314937	SEAL, FRONT PANEL
12	Y313907	TWIN FASTENER (S/P)
13	308000L	FRONT PANEL ASSY (S/P)
13	307998L	FRONT PANEL DESCONTINUADO
14	313113	BUSHING FOR ACCESS STUD (S/P)
15	312369	SLEEVE-ACCESS PANEL STUD (S/P)
16	22001866	SCREW (S/P)
17	204439	SCREW & FSTNER ASSY(FRT.PANEL)
18	302542L	ACCESS DOOR-ALMOND DESCONTINUADO
19	33001305	DOOR STRIKE (S/P)
20	33001192	DOOR SEAL
21	307098	DOOR, INNER (W/SEAL) DESCONTINUADO
22	315441	LABEL, INSTRUCTION CANADA (S/P)
22	Y313910	CLIP, DOOR LINER TO OUTER PNL (S/P)
22	314941	LABEL, INSTRUCTION (S/P)

Distribuidor Autorizado

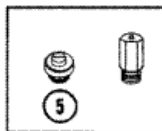
SurteRápido.com

Venta de Refacciones
Electrodomesticas

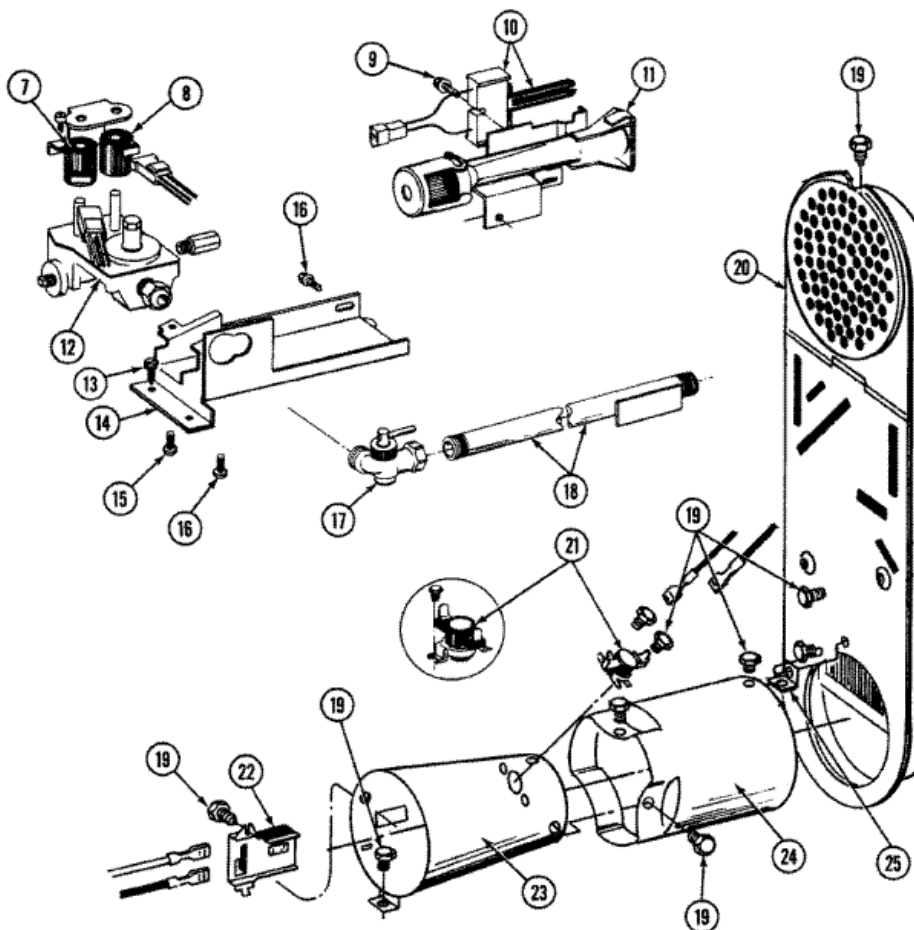
LDG7600AAL QUEMADOR



4



6





LDG7600AAL QUEMADOR

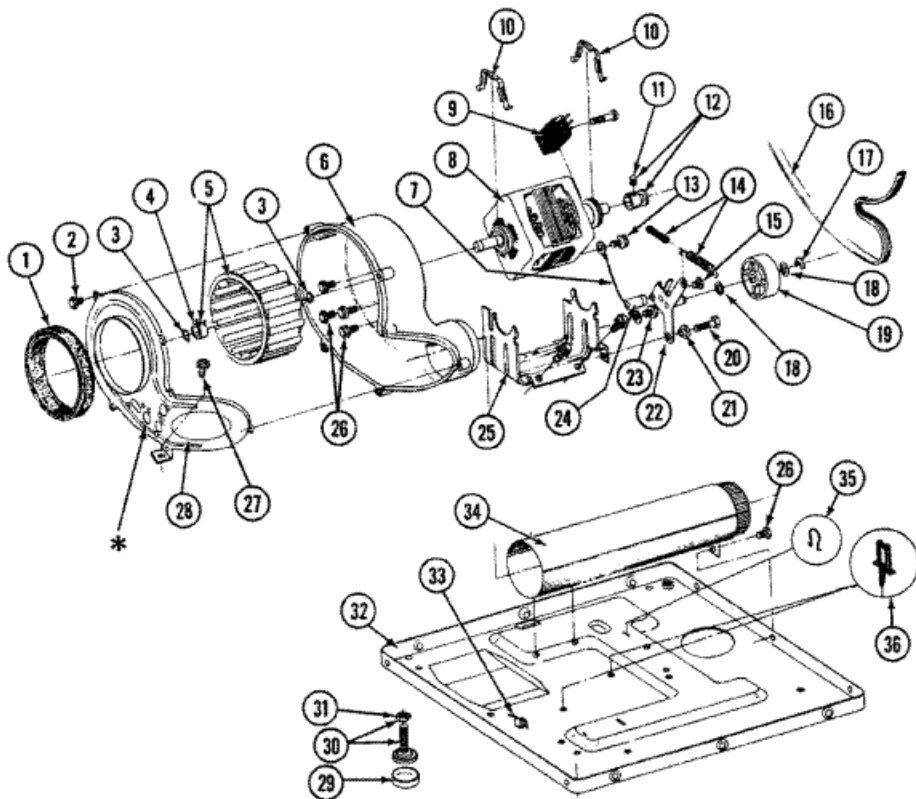
1	302810	SCREW ASSM - BLUE BLOCK OPE DESCONTINUADO
2	305861	MAIN BURNER ORIFICE KIT-LPG DESCONTINUADO
3	306184	PLUG, BLOCKING (LPG REGULATOR) (S/P)
4	33002923	CONVERSION KIT (NATURAL TO LP)
5	53-2615	LEAK LIMITER (LPG) (S/P)
6	33002924	CONVERSION KIT (LP TO NATURAL)
7	279834	COIL, HOLDING & BOOSTER
8	3-6105	COIL, SECONDARY
9	304971	SCREW (S/P)
10	WE4X750	IGNITER ASSY, GAS VALVE
11	33002793	BURNER ASSEMBLY
12	306176	VALVE, GAS (S/P)
13	Y313561	SCREW DESCONTINUADO
14	314566	BRACKET, GAS VALVE (S/P)
15	314082	SCREW (S/P)
16	Y313559	SCREW (S/P)
17	Y303349	SHUT-OFF, GAS VALVE (S/P)
18	33001735	PIPE & BRACKET ASSY. (S/P)
19	211294	SCREW (S/P)
20	Y308504	INLET DUCT ASSY. (S/P)
20	307119	INLET DUCT ASSY. DESCONTINUADO
21	303395	THERMOSTAT, HI-LIMIT (GAS)
22	338906	SENSOR, RADIANT
23	Y303368	CONE, COMBUSTION (S/P)
23	Y308548	CONE, COMBUSTION (S/P)
24	Y303841	CONE, EXTENSION (COMBUSTION) (S/P)
25	Y312890	RETAINER, HEATER CHAMBER (S/P)

Distribuidor Autorizado

SurteRápido.com

Venta de Refacciones
Electrodomesticas

LDG7600AAL BASE





LDG7600AAL BASE

1	312901	SEAL, BLOWER
2	Y312961	SCREW (S/P)
3	410233	RING, RETAINING (S/P)
4	312967	CLAMP, BLOWER HOUSING
5	303836	BLOWER WHEEL ASSEMBLY & CLAMP
6	Y312893	HOUSING, BLOWER
7	901220	WIRE, GROUND (S/P)
8	Y303358	MOTOR (S/P)
9	Y303877	SWITCH, MOTOR DESCONTINUADO
9	306207	SWITCH, MOTOR START-PROD. DESCONTINUADO
9	Y303879	SWITCH, MOTOR STARTPROD. (S/P)
10	Y015825	CLIP, MOTOR (S/P)
11	Y053241	SET SCREW, PULLEY (S/P)
12	Y305185	PULLEY, MOTOR (W/SET SCREW) (S/P)
13	910343	SCREW, GROUND WIRE (S/P)
14	303945	IDLER SPRING ASSEMBLY
15	Y312961	SCREW (S/P)
16	Y312959	BELT, TUMBLER & MOTOR (S/P)
17	312958	RETAINING RING, IDLER SHAFT (S/P)
18	Y312527	WASHER, IDLER SHAFT (QTY-1) (S/P)
19	303705	PULLEY, IDLER
20	Y014874	SCREW (S/P)
21	315772	SLEEVE, IDLER ARM (S/P)
22	303363	IDLER ARM & SHAFT ASSY.
23	211294	SCREW (S/P)
24	Y313582	SPACER, IDLER BRACKET (S/P)
25	312897	SUPPORT, MOTOR
26	Y310632	SCREW (S/P)
27	Y313561	SCREW DESCONTINUADO
28	314846	COVER, BLOWER HOUSING (S/P)
28	314778	COVER FOR BLOWER (S/P)
29	314137	FOOT, RUBBER
30	305086	ADJUSTABLE LEG & NUT

31	Y052740	NUT (S/P)
32	Y303361	BASE ASSY. (S/P)
33	Y310376	CLIP, WIRE HARNESS (S/P)
34	Y303442	EXHAUST DUCT ASSY. DESCONTINUADO
35	410490	SPRING, WIRE HARNESS (S/P)
36	Y313262	RETAINER, WIRE HARNESS (S/P)



LDG7600AAL TAMBOR

1	33001016	DUCT, OUTLET ASSY. (S/P)
2	33002970	LINT FILTER
2	33001167	LINT SCREEN (S/P)
3	313764	SCREW DESCONTINUADO
4	Y313561	SCREW DESCONTINUADO
5	33001179	TUMBLE FRONT ASSY W/SEAL (S/P)
5	307117	TUMBLER FRONT W/SEAL (S/P)
6	Y310376	CLIP, WIRE HARNESS (S/P)
7	67001316	LIGHT (S/P)
8	33001496	ENCLOSURE, LIGHT (S/P)
9	33001496	HOLDER, LIGHT (S/P)
10	314820	SEAL, TUMBLER
11	33001012	BAFFLE (SHORT) (S/P)
12	314158	WASHER (S/P)
13	33001108	TUMBLER W/OUT BAFFLES DESCONTINUADO
13	305187	TUMBLER W/BAFFLES (S/P)
14	Y310759	SCREW (S/P)
15	33001178	BACK, TUMBLER (W/SEAL) (S/P)
16	313915	COVER, THREAD (S/P)
17	211294	SCREW (S/P)
18	33001443	NUT, ROLLER SHAFT (S/P)
19	312535	WASHER, SPRING (ROLLER SHAFT) (S/P)
20	Y312948	SHAFT, TUMBLER ROLLER (S/P)
21	12001541	BEARING & ROLLER ASSEMBLY
22	312535	WASHER, ROLLER SHAFT (S/P)
23	410233	RING, RETAINING (S/P)
24	3-12959	BELT, TUMBLER & MOTOR
25	314804	BAFFLE (TALL) (S/P)
26	33002917	SCREW, INLET DUCT (S/P)
27	210720	RIVET (S/P)
28	306508	TUMBLER BEARING KIT
29	Y310632	SCREW (S/P)
30	315020	SWITCH HOUSING DESCONTINUADO

31	307206	REED SWITCH ASSY (S/P)
32	Y251119	SCREW (S/P)
33	211294	SCREW (S/P)
34	Y303711	SENSOR GROUND WIRE (S/P)
35	304997	SENSOR ASSEMBLY WITH SCREWS
36	Y312658	RECEPTACLE, SENSOR GROUND WIRE (S/P)