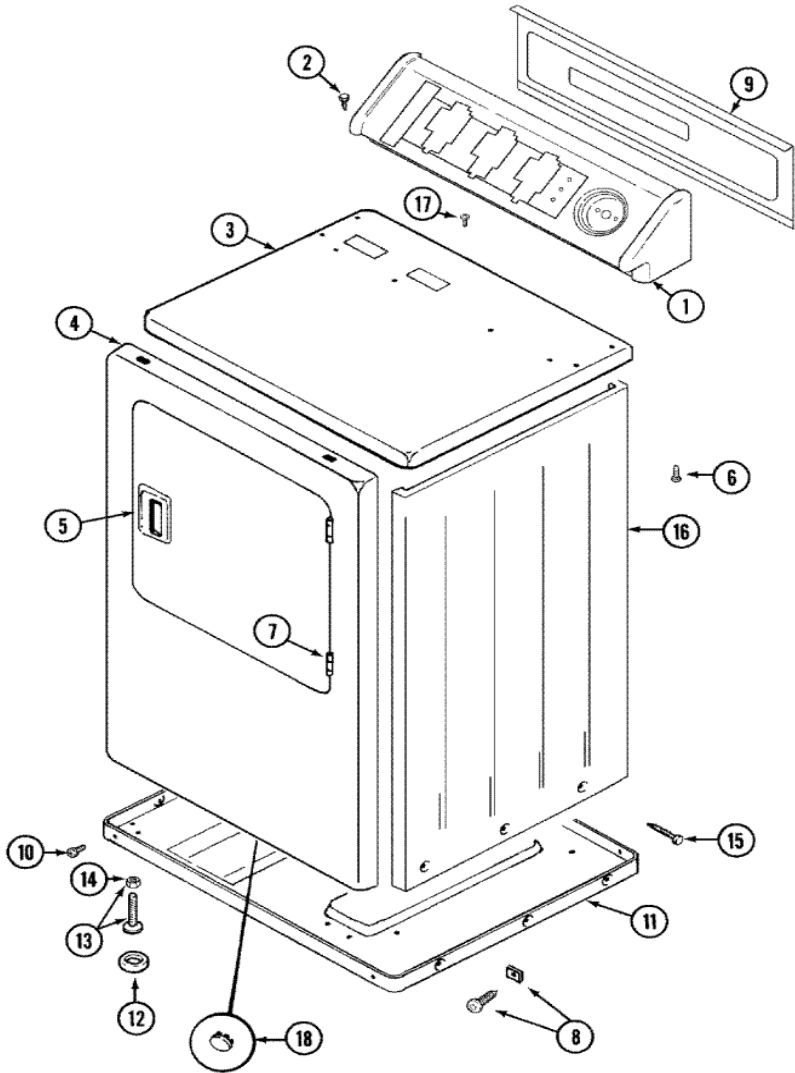


LDG8616AAE GABINETE





LDG8616AAE GABINETE

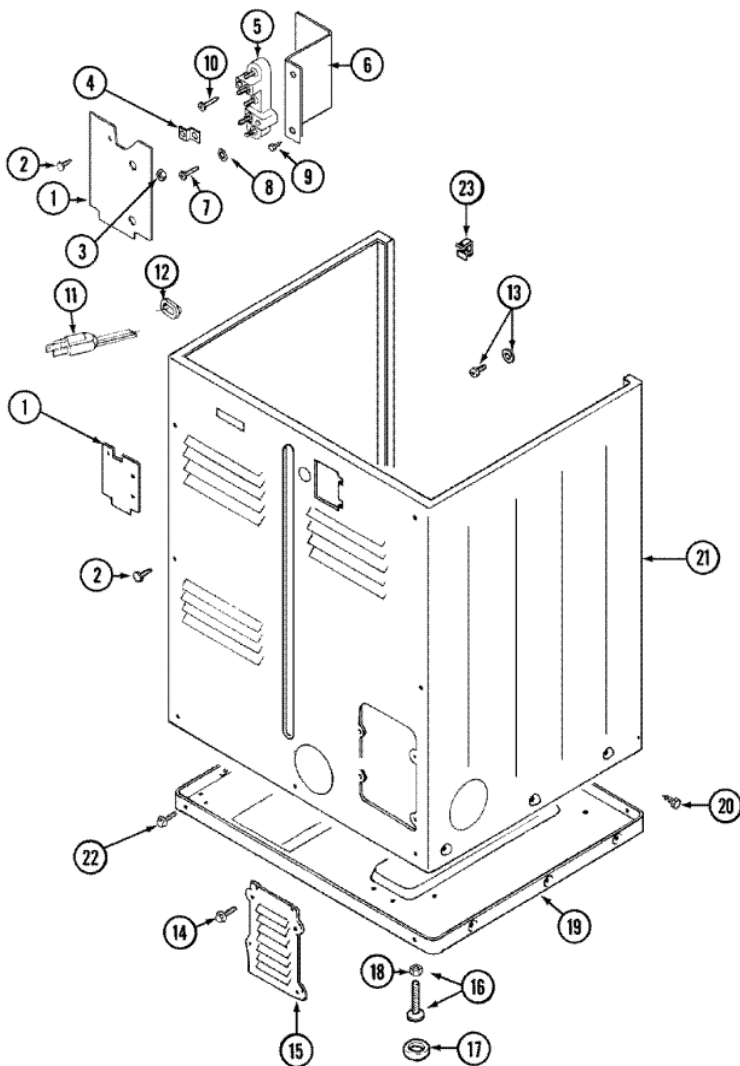
1	33001612	DESCONTINUADO
2	216423	SCREW (S/P)
3	33001608	DESCONTINUADO
4	33001486	PANEL, FASTENER (S/P)
4	33001610	PANEL, FRONT (WHT) (S/P)
4	22001817	PAD, SOUND DAMPER (S/P)
5	33001241	HANDLE, DOOR (WHT) (S/P)
6	214354	SCREW (S/P)
7	33001230	HINGE, DOOR (S/P)
8	12001341	SCREW & FASTENER KIT (WHT) (S/P)
9	33001625	DESCONTINUADO
10	Y310632	SCREW (S/P)
10	Y313561	DESCONTINUADO
11	Y303361	BASE ASSY. (S/P)
12	314137	FOOT, RUBBER
13	305086	ADJUSTABLE LEG & NUT
14	Y052740	NUT (S/P)
15	213007	SCREW, CABINET (S/P)
16	33001327	CABINET (WHT) (S/P)
17	210186	DESCONTINUADO
18	33001614	PLUG, FRONT PANEL (WHT) (S/P)

Distribuidor Autorizado

SurteRápido.com

Venta de Refacciones
Electrodomesticas

LDG8616AAE GABINETE





LDG8616AAE GABINETE

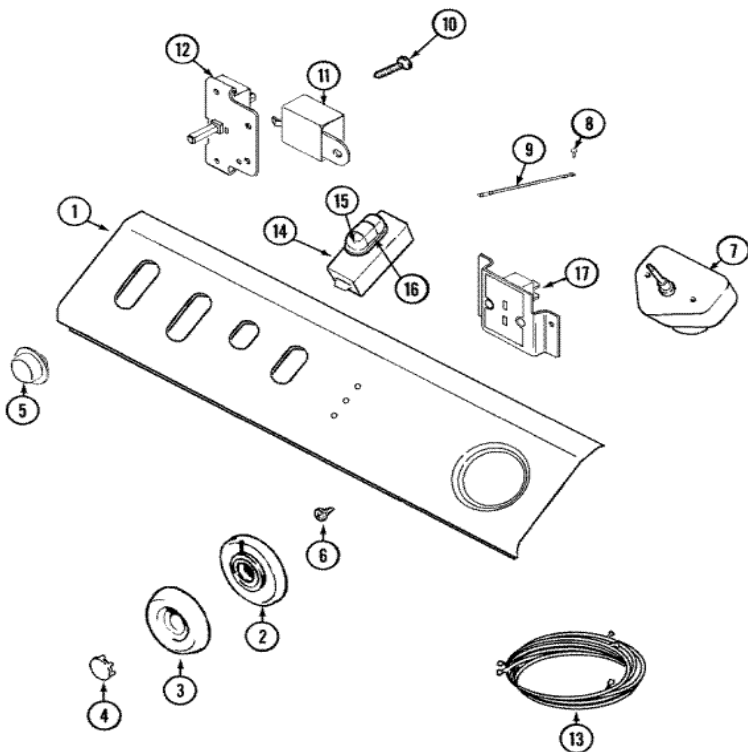
1	Y312905	COVER, TERMINAL (S/P)
2	Y313561	DESCONTINUADO
11	33001284	CORD, POWER (S/P)
12	2-11881	GROMMET, CORD
13	303846	SCREW & WASHER ASSY. (S/P)
14	216423	SCREW (S/P)
15	Y312951	COVER, ACCESS (S/P)
16	305086	ADJUSTABLE LEG & NUT
17	314137	FOOT, RUBBER
18	Y052740	NUT (S/P)
19	Y303361	BASE ASSY. (S/P)
20	213007	SCREW, CABINET (S/P)
21	33001327	CABINET (WHT) (S/P)
22	Y310632	SCREW (S/P)
22	Y313561	DESCONTINUADO
23	Y310376	CLIP, WIRE HARNESS (S/P)

Distribuidor Autorizado

SurteRápido.com

Venta de Refacciones
Electrodomesticas

LDG8616AAE TABLERO

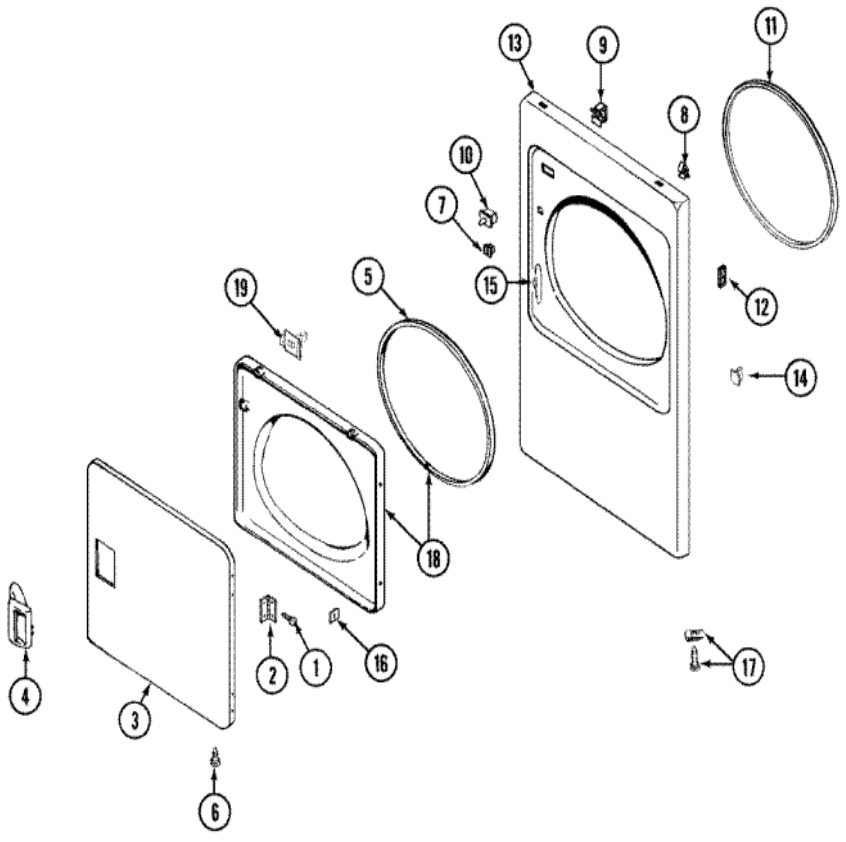




LDG8616AAE TABLERO

1	33001596	PANEL, CONTROL (WHT) (S/P)
1	22001662	SCREW (S/P)
2	33001621	SKIRT, TIMER DIAL (WHT)
3	22001659	TIMER KNOB – GREY
4	22001664	TIMER KNOB INSERT/CAP (WHT)
5	37001071	BUTTON, PUSH TO START (WHT) (S/P)
6	33001690	SCREW, TIMER (S/P)
7	33001634	TIMER (S/P)
8	210186	DESCONTINUADO
9	22001654	WIRE, GROUND (S/P)
10	216423	SCREW (S/P)
11	33001623	BUZZER, NON-ADJUSTABLE (S/P)
12	37001070	SWITCH, PUSH TO START (WHT) (S/P)
13	33001674	WIRE HARNESS, MAIN (S/P)
14	33001648	SWITCH, TEMPERATURE (ELC) (S/P)
15	22001788	BUTTON, SWITCH (WHT-END) (S/P)
16	22001789	BUTTON, SWITCH (WHT-MDL) (S/P)
17	33002389	DISPLAY, DRYNESS (WHT)
18	33001681	MANUAL, USE & CARE (S/P)
18	16000327	DESCONTINUADO

LDG8616AAE PUERTA





LDG8616AAE PUERTA

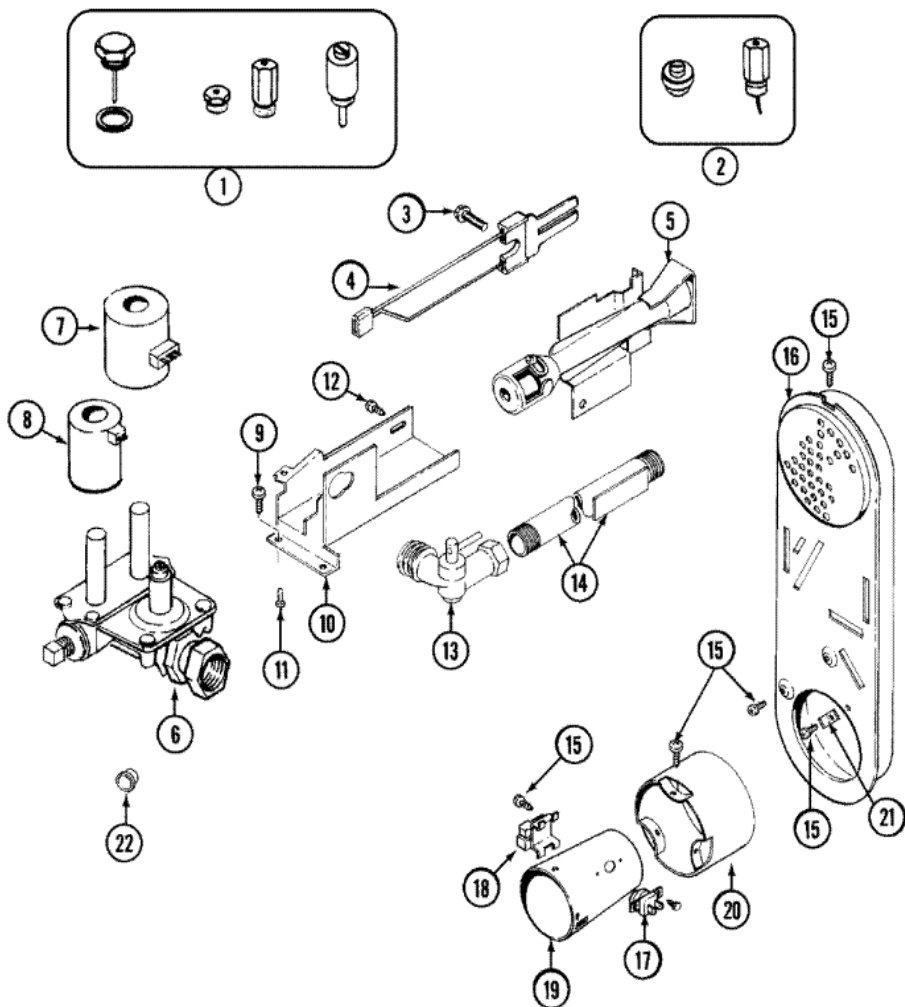
1	Y314062	SCREW (S/P)
2	33001230	HINGE, DOOR (S/P)
3	33001240	DOOR (WHT) (S/P)
3	22001817	SHEET, SOUND DAMPER (FT. PNL) (S/P)
4	33001241	HANDLE, DOOR (WHT) (S/P)
5	33001131	SEAL, DOOR (S/P)
6	33002342	PLUG, SIGHT HOLE (WHT) (S/P)
7	LA-1003	CATCH, DOOR (FEMALE)
8	22001650	FASTENER, SPRING
9	Y310376	CLIP, WIRE HARNESS (S/P)
10	33001508	SWITCH, DOOR
11	314937	SEAL, FRONT PANEL
12	33001487	NUT, SPEED (S/P)
13	22001817	PAD, SOUND DAMPER (S/P)
13	33001486	PANEL, FASTENER (S/P)
13	33001610	PANEL, FRONT (WHT) (S/P)
14	LA-1003	PLUG, DOOR CATCH
15	33001175	COVER, HINGE HOLE (WHT) (S/P)
16	Y313910	CLIP, DOOR LINER TO OUTER PNL (S/P)
17	12001341	SCREW & FASTENER KIT (WHT) (S/P)
18	33001243	DESCONTINUADO
19	33001305	STRIKE, DOOR (W/BACKET) (S/P)

Distribuidor Autorizado

SurteRápido.com

Venta de Refacciones
Electrodomesticas

LDG8616AAE QUEMADOR





LDG8616AAE QUEMADOR

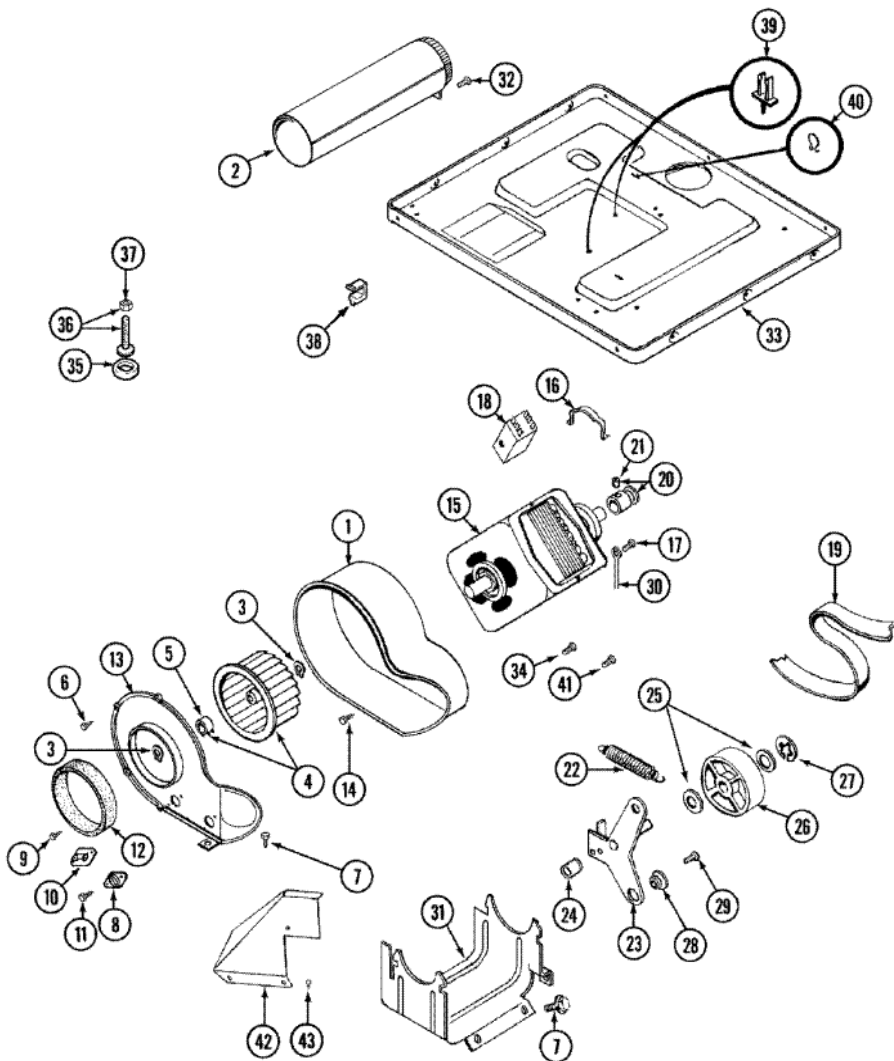
1	33002923	CONVERSION KIT (NATURAL TO LP)
2	306204	CONVERSION KIT (LP TO NATURAL)
3	304971	SCREW (S/P)
4	304970	IGNITER ASSY, GAS VALVE
5	33001247	BURNER ASSY.
6	3-6176	VALVE, GAS
7	279834	COIL, HOLDING & BOOSTER
8	3-6105	COIL, SECONDARY
9	Y313561	DESCONTINUADO
10	314566	BRACKET, GAS VALVE (S/P)
11	Y313559	SCREW (S/P)
12	314082	SCREW (S/P)
12	314568	SCREW-GAS VALVE TO BRACKET (S/P)
13	Y303349	SHUT-OFF, GAS VALVE (S/P)
13	33001842	CONNECTOR, ANGLE
14	33001735	PIPE & BRACKET ASSY. (S/P)
15	211294	SCREW (S/P)
16	Y308504	INLET DUCT ASSY. (S/P)
17	303395	THERMOSTAT, HI-LIMIT (GAS)
18	3-3377	SENSOR, RADIANT
19	Y308548	CONE, COMBUSTION (S/P)
20	Y303841	CONE, EXTENSION (COMBUSTION) (S/P)
21	Y312890	RETAINER, HEATER CHAMBER (S/P)
22	33001693	CAP, GAS PIPE (S/P)

Distribuidor Autorizado

SurteRápido.com

Venta de Refacciones
Electrodomesticas

LDG8616AAE BASE





LDG8616AAE BASE

1	312893	HOUSING, BLOWER
2	Y303442	DESCONTINUADO
3	410233	RING, RETAINING (S/P)
4	303836	BLOWER WHEEL ASSEMBLY & CLAMP
5	312967	CLAMP, BLOWER HOUSING
6	Y312961	SCREW (S/P)
7	Y313561	DESCONTINUADO
8	306910	THERMOSTAT, MULTI TEMP (GAS) (S/P)
9	211294	SCREW (S/P)
10	306604	CUT-OFF, THERMAL (S/P)
11	314848	SCREW (S/P)
12	312901	SEAL, BLOWER
13	314846	COVER, BLOWER HOUSING (S/P)
14	314818	SCREW (S/P)
15	3-3358	MOTOR
16	Y015825	CLIP, MOTOR (S/P)
17	910343	SCREW, GROUND WIRE (S/P)
18	Y303879	SWITCH, MOTOR STARTPROD. (S/P)
18	306207	DESCONTINUADO
18	Y303877	DESCONTINUADO
19	3-12959	BELT, TUMBLER & MOTOR
20	3-5185	PULLEY, MOTOR (W/SET SCREW)
21	Y053241	SET SCREW, PULLEY (S/P)
22	303945	IDLER SPRING ASSEMBLY
23	303363	IDLER ARM & SHAFT ASSY.
24	Y313582	SPACER, IDLER BRACKET (S/P)
25	Y312527	WASHER, IDLER SHAFT (QTY-1) (S/P)
26	303705	PULLEY, IDLER
27	312958	RETAINING RING, IDLER SHAFT (S/P)
28	315772	SLEEVE, IDLER ARM (S/P)
29	Y014874	SCREW (S/P)
30	901220	WIRE, GROUND (S/P)
31	312897	SUPPORT, MOTOR DESCONTINUADO

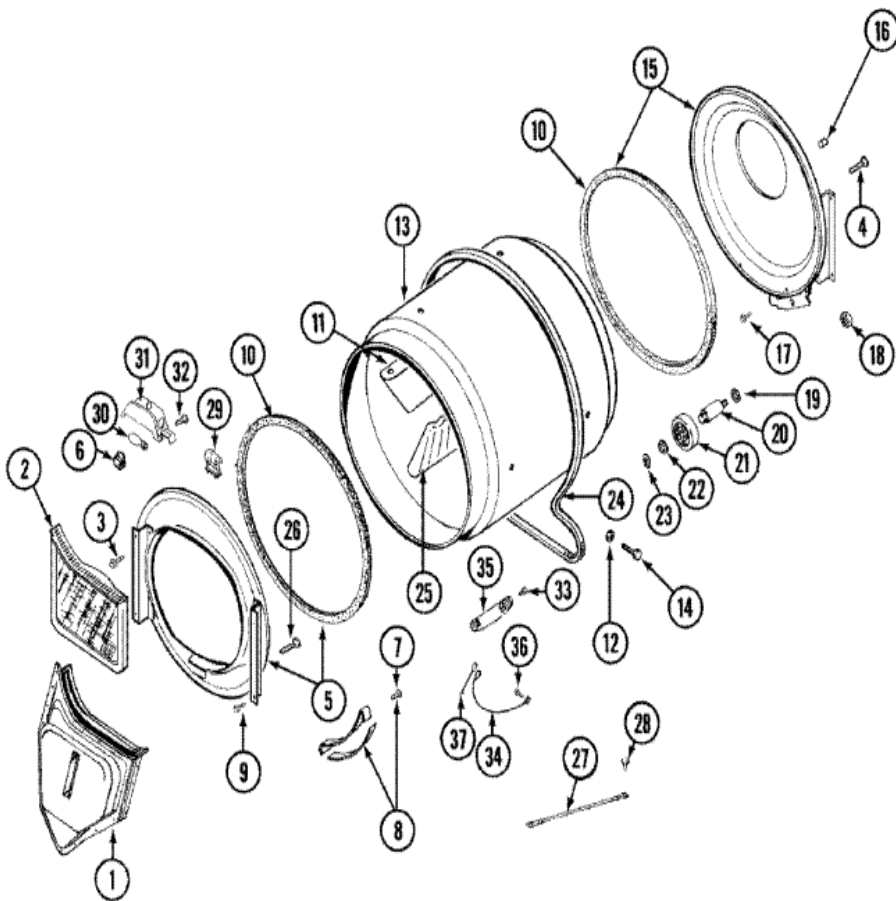
32	Y310632	SCREW (S/P)
33	Y305084	BASE (S/P)
34	211294	SCREW (S/P)
35	314137	FOOT, RUBBER
36	305086	ADJUSTABLE LEG & NUT
37	Y052740	NUT (S/P)
38	Y310376	CLIP, WIRE HARNESS (S/P)
39	22003298	RETAINER, WIRE (S/P)
40	410490	SPRING, WIRE HARNESS (S/P)
41	Y312961	SCREW (S/P)

Distribuidor Autorizado

SurteRápido.com

Venta de Refacciones
Electrodomesticas

LDG8616AAE TAMBOR





LDG8616AAE TAMBOR

1	33001016	DUCT ASSY., OUTLET (S/P)
2	33002970	FILTER, LINT
3	313764	DESCONTINUADO
5	33001423	FRONT ASSY., TUMBLER (S/P)
6	Y310376	CLIP, WIRE HARNESS (S/P)
7	210720	RIVET (S/P)
8	306508	TUMBLER BEARING KIT
9	Y310632	SCREW (S/P)
10	314820	SEAL, TUMBLER
11	33001012	BAFFLE (SHORT) (S/P)
12	314158	WASHER (S/P)
13	33001108	DRYER TUMBLER, W/O BAFFLES (S/P)
15	33001178	BACK, TUMBLER (W/SEAL) (S/P)
16	313915	COVER, THREAD (S/P)
17	Y310632	SCREW (S/P)
18	33001443	NUT, ROLLER SHAFT (S/P)
19	312535	WASHER, SPRING (ROLLER SHAFT) (S/P)
20	3-12948	SHAFT, TUMBLER ROLLER
21	12001541	BEARING & ROLLER ASSEMBLY
22	312535	WASHER, ROLLER SHAFT (S/P)
23	410233	RING, RETAINING (S/P)
24	3-12959	BELT, TUMBLER & MOTOR
25	33001004	BAFFLE, TALL (S/P)
26	Y314110	SCREW, INLET DUCT (S/P)
29	33001496	HOLDER, LIGHT (S/P)
30	67001316	LIGHT
31	34001496	ENCLOSURE, LIGHT (S/P)
32	214872	PALNUT, END CAP (S/P)
33	22001078	SCREW (S/P)
34	Y303711	SENSOR GROUND WIRE (S/P)
35	304997	SENSOR ASSEMBLY (W/SCREWS)
37	Y312658	RECEPTACLE, SENSOR GROUND WIRE (S/P)