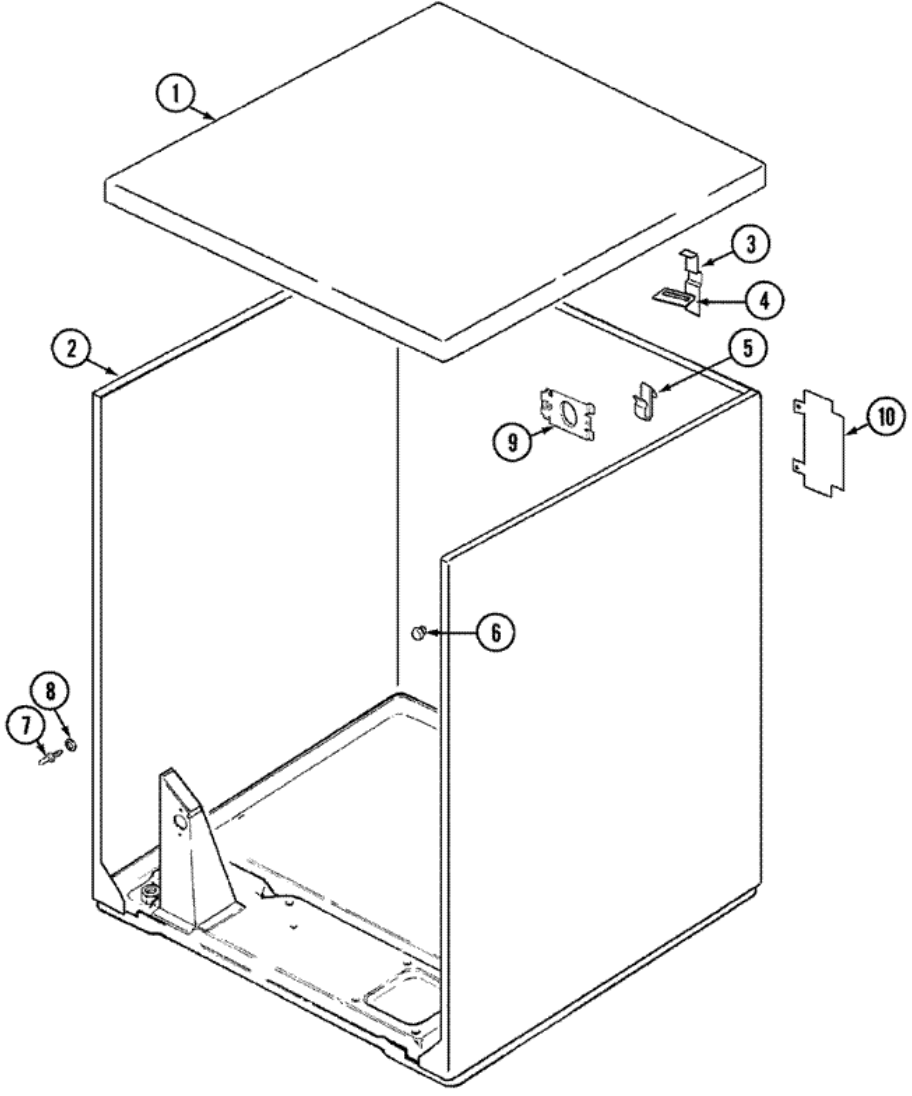


LDGA200AAM GABINETE

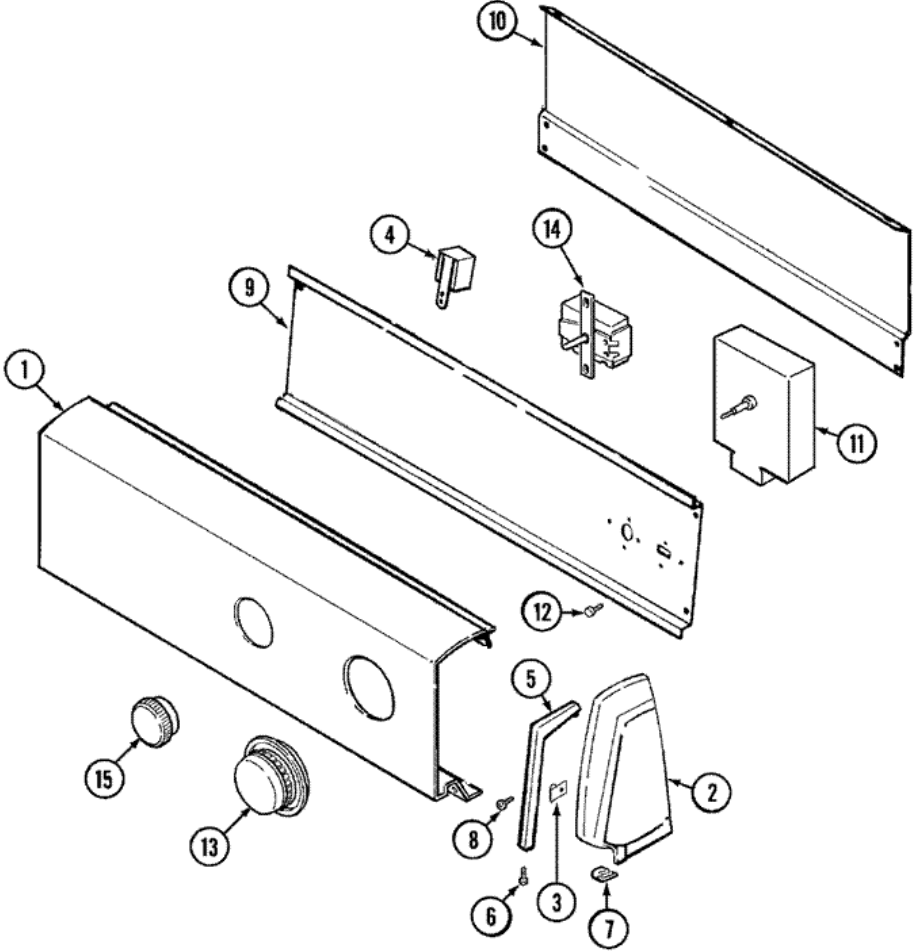




LDGA200AAM GABINETE

1	53-2435-24	TOP, CABINET (ALM) DESCONTINUADO
2	31001715	CABINET & BASE ASSY. (ALM) DESCONTINUADO
3	63-5712	HINGE, CABINET TOP (S/P)
4	25-3092	SCREW (S/P)
4	33-0930	PAD, TOP HINGE DESCONTINUADO
5	25-3034	CLIP, WIRING (S/P)
6	33-2653	BUMPER, CABINET (S/P)
7	53-0643	PIN, LOCATOR (S/P)
8	53-0200	SLEEVE, LOCATOR PIN (S/P)
8	25-0224	NUT, LOCATOR PIN (S/P)
9	53-0135	SUPPORT, POWER CORD (S/P)
10	53-0284	COVER, TERMINAL (S/P)
10	25-7857	SCREW (S/P)

LDGA200AAM TABLERO





LDGA200AAM TABLERO

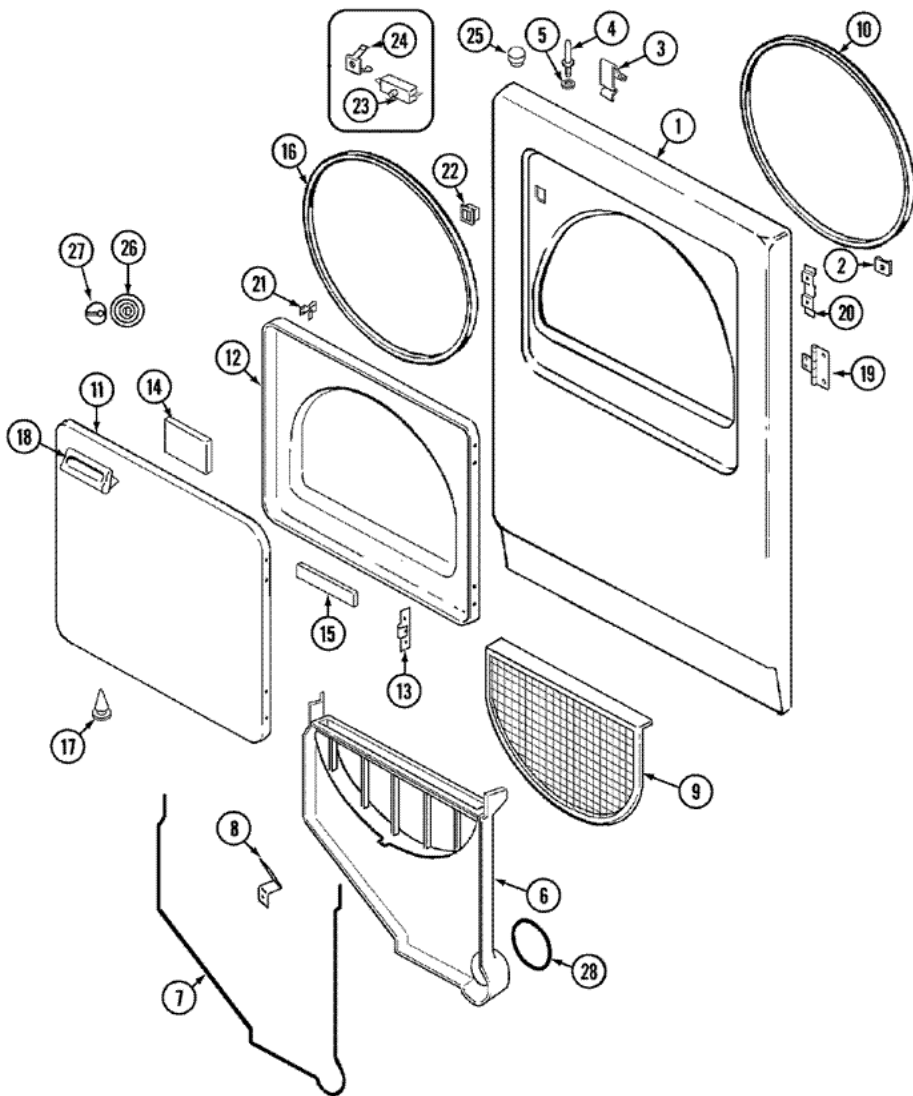
1	31001170	PANEL, CONTROL DESCONTINUADO
1	31001062	PANEL, CONTROL DESCONTINUADO
2	12002263	CAP, END (ALM) (RT) (S/P)
2	25-7851	SPEEDCLIP, END CAP TO TOP (S/P)
2	21001456	CAP, END (ALM) (LT) DESCONTINUADO
2	25-7697	SCREW (S/P)
2	25-7702	SPEEDCLIP, END CAP TO CTRL PNL (S/P)
2	25-7649	SCREW (S/P)
3	25-7697	SCREW (S/P)
3	25-7851	SPEEDCLIP, END CAP TO TOP (S/P)
4	25-3092	SCREW (S/P)
4	53-1639	BUZZER ASSY. (S/P)
5	31001056	TRIM, ENDCAP (RT)(ALM) DESCONTINUADO
5	31001057	TRIM, ENDCAP (LT)(ALM) DESCONTINUADO
6	25-7760	SCREW (S/P)
7	25-7702	SPEEDCLIP, END CAP TO CTRL PNL (S/P)
8	25-3092	SCREW (S/P)
9	31001193	SPACER, CONTROL SHIELD DESCONTINUADO
9	53-1676	SHIELD, CONTROL DESCONTINUADO
9	21001303	SHIELD, CONTROL DESCONTINUADO
10	21001460	SHIELD, CONTROL PANEL (REAR) DESCONTINUADO
11	53-1758	TIMER
12	25-7435	SCREW (S/P)
13	31001053	KNOB & SKIRT ASSY. DESCONTINUADO
14	31001150	SWITCH, HEAT DESCONTINUADO
14	53-0456	SWITCH, SELECTOR (HEAT) (S/P)
14	25-3092	SCREW (S/P)
15	21001242	KNOB, SELECTOR (ALM) (S/P)
17	16002079	GUIDE, QUICK REF - ADMIRAL DESCONTINUADO

Distribuidor Autorizado

SurteRápido.com

Venta de Refacciones
Electrodomesticas

LDGA200AAM PUERTA





LDGA200AAM PUERTA

1	12001211	PANEL, FRONT (ALM)GAS DESCONTINUADO
2	25-7820	SCREW, FRONT PANEL TO CABINET (S/P)
2	25-7817	CLIP, U-TYPE DESCONTINUADO
3	25-7220	CLIP, CABINET TOP (S/P)
4	53-0643	PIN, LOCATOR (S/P)
5	53-0200	SLEEVE, LOCATOR PIN (S/P)
5	25-0224	NUT, LOCATOR PIN (S/P)
6	25-7810	SCREW 8-18X1/2 TRUSS H (S/P)
6	12001324	COLLECTOR DUCT
7	53-0204	SEAL (S/P)
8	53-0123	CLIP DESCONTINUADO
9	53-0918	FILTER, LINT (S/P)
10	53-0281	FRONT SEAL SEAL (WHITE)
11	53-0154-24	PANEL, OUTER DOOR (ALM) DESCONTINUADO
12	53-0912	PANEL, INNER DOOR (WHT) (S/P)
13	53-0119	CLIP, HINGE (S/P)
14	53-1490	DOOR PAD (S/P)
15	53-1491	DOOR PAD (S/P)
16	25-7770	SCREW, OUTER TO INNER DOOR (S/P)
16	53-0648	DOOR SEAL (USE 31001529)
17	25-7889	PLUG BUTTON (S/P)
18	31001482	HANDLE, DOOR (ALM) (S/P)
18	53-0927	HANDLE, DOOR (CHR) (S/P)
18	25-7810	SCREW 8-18X1/2 TRUSS H (S/P)
19	53-1492	HINGE, DRYER DOOR (S/P)
19	25-7809	SCREW, No.6-20 1/2 FLTHD TORX (S/P)
20	53-0121	TWIN NUT DESCONTINUADO
21	279570	DOOR CATCH KIT (INCL. 21 & 22)
22	25-7828	SCREW, No.10 TORQ LIMITING (S/P)
22	279570	CATCH, DOOR
23	53-0148	SWITCH, DOOR (S/P)
23	16600	SWITCH KIT (INCL. 23 & 24)
24	31001319	CLIP, SWITCH (S/P)

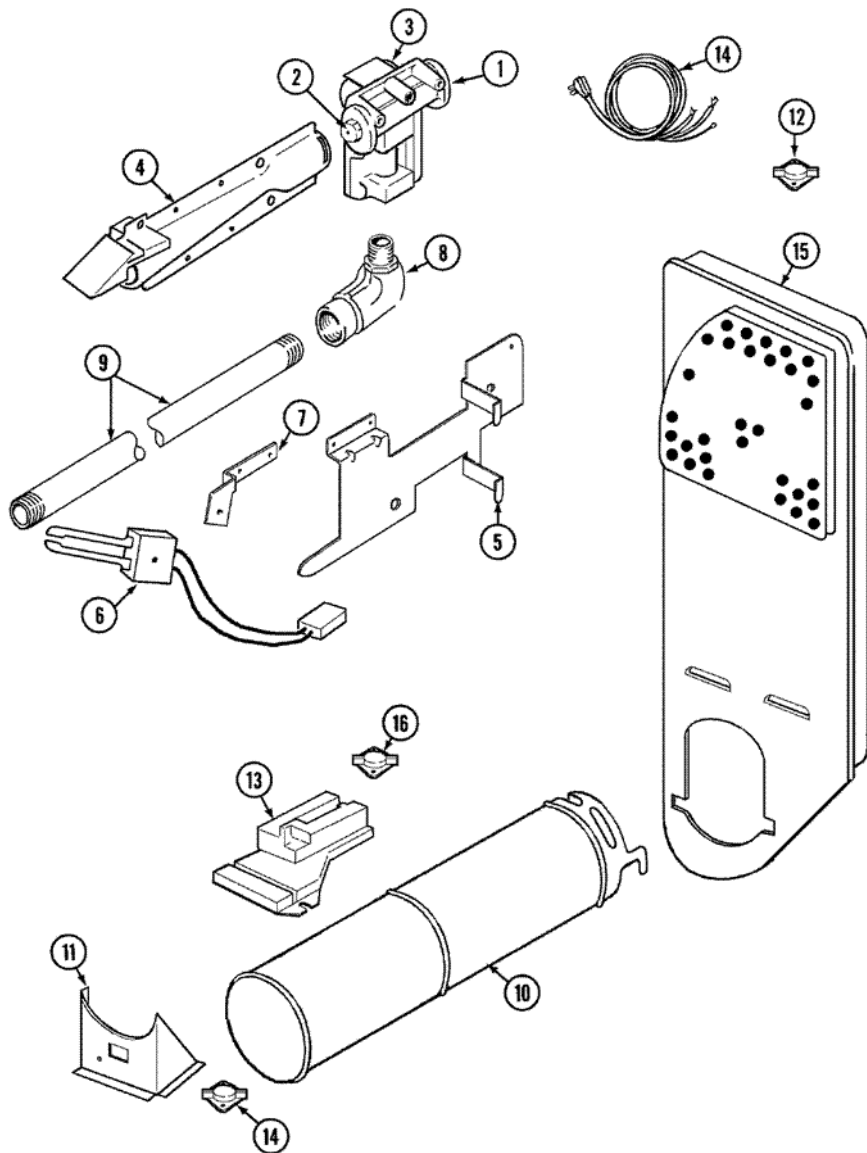
25	33-2653	BUMPER, CABINET (S/P)
26	53-0161	PLUG, GAS ACCESS (ALM) DESCONTINUADO
27	53-0162	BUTTON, GAS ACCESS (ALM) DESCONTINUADO
28	53-0203	SEAL, BLOWER HOUSING (USE 12001324)

Distribuidor Autorizado

SurteRápido.com

Venta de Refacciones
Electrodomesticas

LDGA200AAM QUEMADOR





LDGA200AAM QUEMADOR

1	31001368	TAIL PIECE DESCONTINUADO
1	31001485	VALVE, GAS (WITH ORIFICE) (S/P)
1	60-6846	UNION NUT (S/P)
2	63-3570	BURNER ORIFICE
3	279834	DUAL COIL
3	279834	SECONDARY COIL
4	63-6682	BURNER ASM
5	25-7741	SCREW (S/P)
5	53-0140	MTG BRACKET (S/P)
6	31001556	IGNITER
7	25-3034	CLIP, WIRING (S/P)
7	53-0686	BRACKET DESCONTINUADO
7	25-7744	SCREW (S/P)
7	25-2134	SCREW (S/P)
8	31001042	SHUTOFF VALVE (S/P)
9	25-7741	SCREW (S/P)
9	31001777	MAIN GAS LINE ASSY DESCONTINUADO
10	25-3032	WIRING CLIP DESCONTINUADO
10	53-1884	HOUSING, HEATER DESCONTINUADO
11	53-2363	SUPPORT, HEATER HOUSING (S/P)
11	25-3092	SCREW (S/P)
11	25-7741	SCREW (S/P)
12	25-0168	SCREW (S/P)
12	LA1053	HI LMT TSTAT
13	25-2134	SCREW (S/P)
13	338906	SENSOR
14	31001547	CORD, POWER (S/P)
15	53-1706	INLET AIR DUCT ASSY DESCONTINUADO
15	25-7741	SCREW (S/P)
15	25-7819	SCREW No.8-18X1/2 PAN HD (S/P)
16	53-1182	FUSE, THERMAL (S/P)
16	25-0168	SCREW (S/P)
16	LA1053	THERMOSTAT, HI-LIMIT

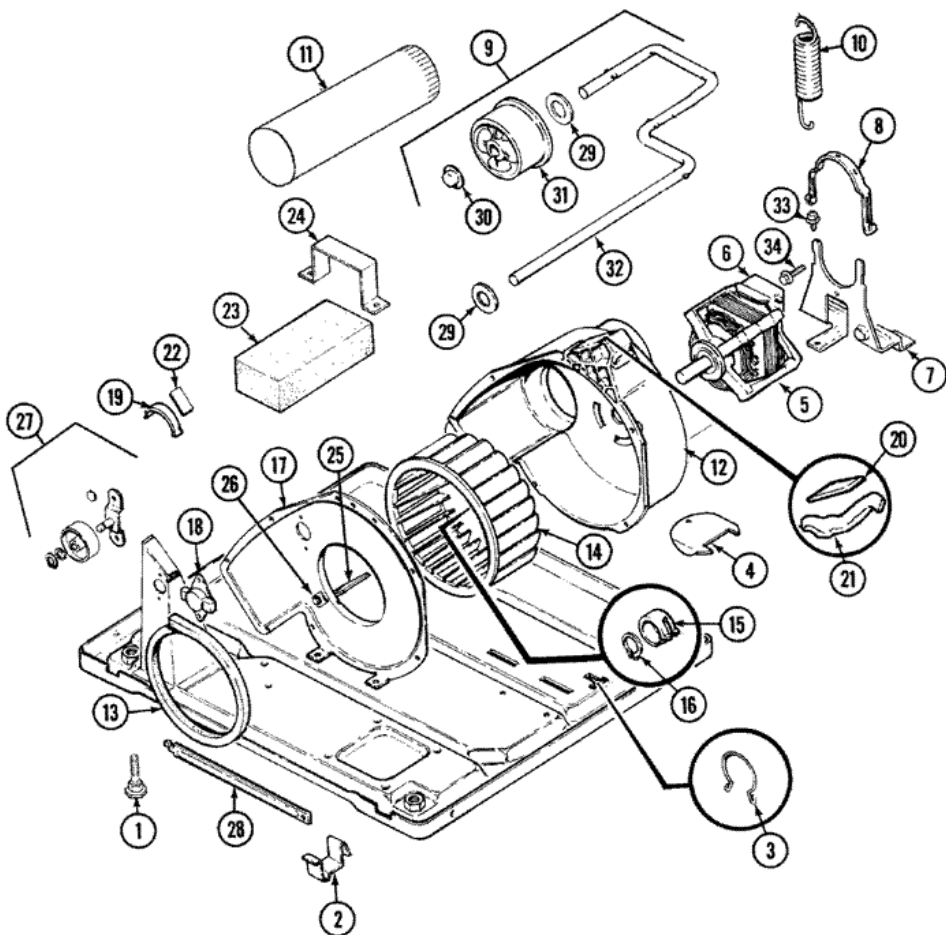
16	25-3032	WIRING CLIP DESCONTINUADO
16	LA1053	FUSE KIT, THERMAL
17	63-6766	CONVERSION KIT (NAT-LP)
17	12001031	CONVERSION KIT (LP-NAT) (S/P)

Distribuidor Autorizado

SurteRápido.com

Venta de Refacciones
Electrodomesticas

LDGA200AAM MOTOR



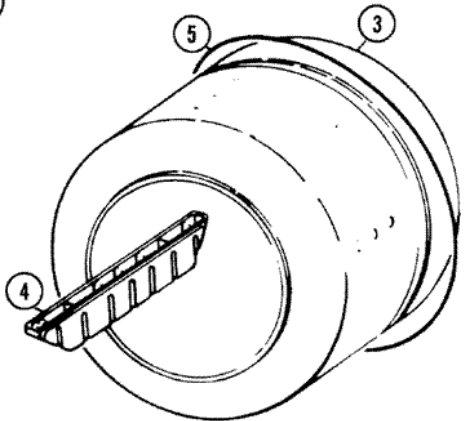
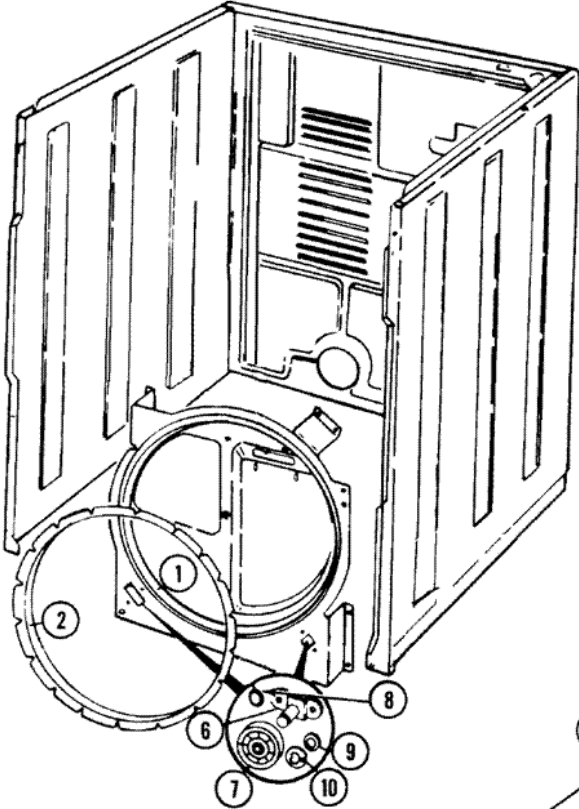


LDGA200AAM MOTOR

1	63-5519	LEG, LEVELING
2	53-0120	CLIP, FRONT PANEL
3	16515	CLIP, WIRING (S/P)
4	25-7741	SCREW (S/P)
4	53-1921	SHIELD, WIRING (S/P)
5	31001015	MOTOR & PULLEY ASSY.
6	53-0332	SWITCH, MOTOR (S/P)
7	25-7811	SCREW DESCONTINUADO
7	31001570	MOTOR MTG. BRKT. (S/P)
8	53-0214	CLAMP, MOTOR (S/P)
9	53-2287	IDLER ASSY. (S/P)
10	31001465	SPRING, IDLER (S/P)
11	53-0134	DUCT, EXHAUST (S/P)
11	25-2134	SCREW (S/P)
12	53-1801	HOUSING, BLOWER (S/P)
13	12001324	SEAL, BLOWER HOUSING
14	31001043	WHEEL, BLOWER
15	312967	CLAMP
16	25-7855	RING, RETAINING (S/P)
17	25-7435	SCREW (S/P)
17	53-1934	COVER, BLOWER HOUSING (S/P)
18	53-1107	THERMOSTAT, CONTROL (146/121) (S/P)
18	25-2134	SCREW (S/P)
19	31001470	GLIDE, TUMBLER (LT)
19	LA1006	GLIDE KIT, TUMBLER
20	31001356	RH GLD CUSHION (S/P)
21	31001469	GLIDE, TUMBLER (RT) (S/P)
22	LA1008	RR ROLLER KIT
22	31001356	CUSHION, TUMBLER GLIDE (S/P)
23	53-0645	COUNTERWEIGHT DESCONTINUADO
24	53-0644	BRACKET DESCONTINUADO
24	25-7732	SCREW (S/P)
25	53-1026	GUIDE, VANE INLET (S/P)

26	25-3457	SCREW, SEMS (S/P)
27	LA1007	FRONT ROLLER KIT
28	53-1625	BRACE, TUMBLER SUPPORT (S/P)
29	25-7815	WASHER (S/P)
30	25-7957	PUSHNUT (S/P)
31	31001344	PULLEY, IDLER
32	53-2287	ARM, IDLER (S/P)
33	25-7699	STRAIN RELIEF (S/P)
34	25-7674	SCREW (S/P)

LDGA200AAM TAMBOR





LDGA200AAM TAMBOR

1	LA-1054	BULKHEAD W/O CYLINDER LIGHT GR (S/P)
1	25-7733	SCREW (S/P)
2	53-0281	SEAL ASSY (WHITE)
3	53-1250	TUMBLER ASSY. (S/P)
4	53-1249	BAFFLE, GRAY
4	25-7759	SCREW (S/P)
5	341241	BELT
6	53-0197	SUPPORT ASSY.-CYLINDER REAR
6	25-7101	SCREW (S/P)
7	31001096	CYL ROLLER
8	25-7813	SPACER (S/P)
9	25-7814	WASHER (S/P)
10	25-7854	RING, RETAINING
11	LA1006	GLIDE KIT, TUMBLER
12	LA1008	RR ROLLER KIT