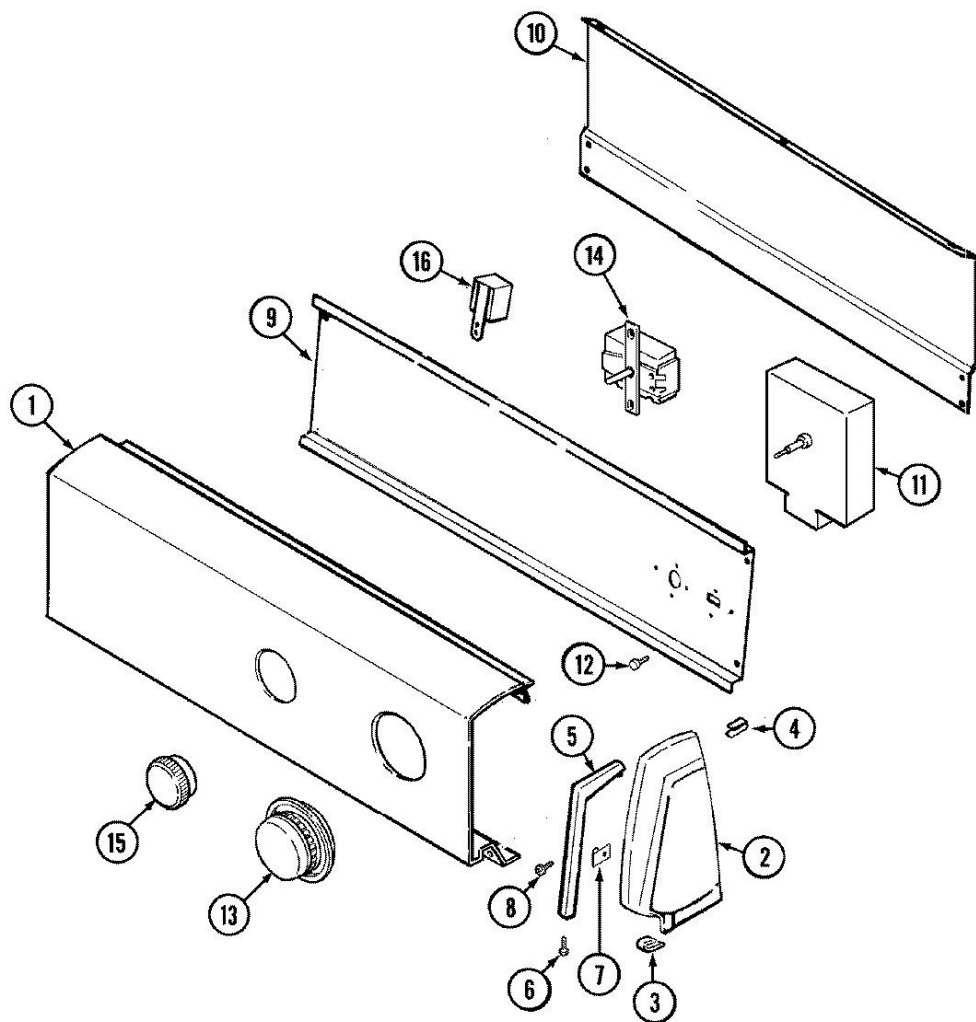


Distribuidor Autorizado

SurteRápido.com

Venta de Refacciones  
Electrodomesticas

## Secadora Admiral LDGA400AAL





## Secadora Admiral LDGA400AAL

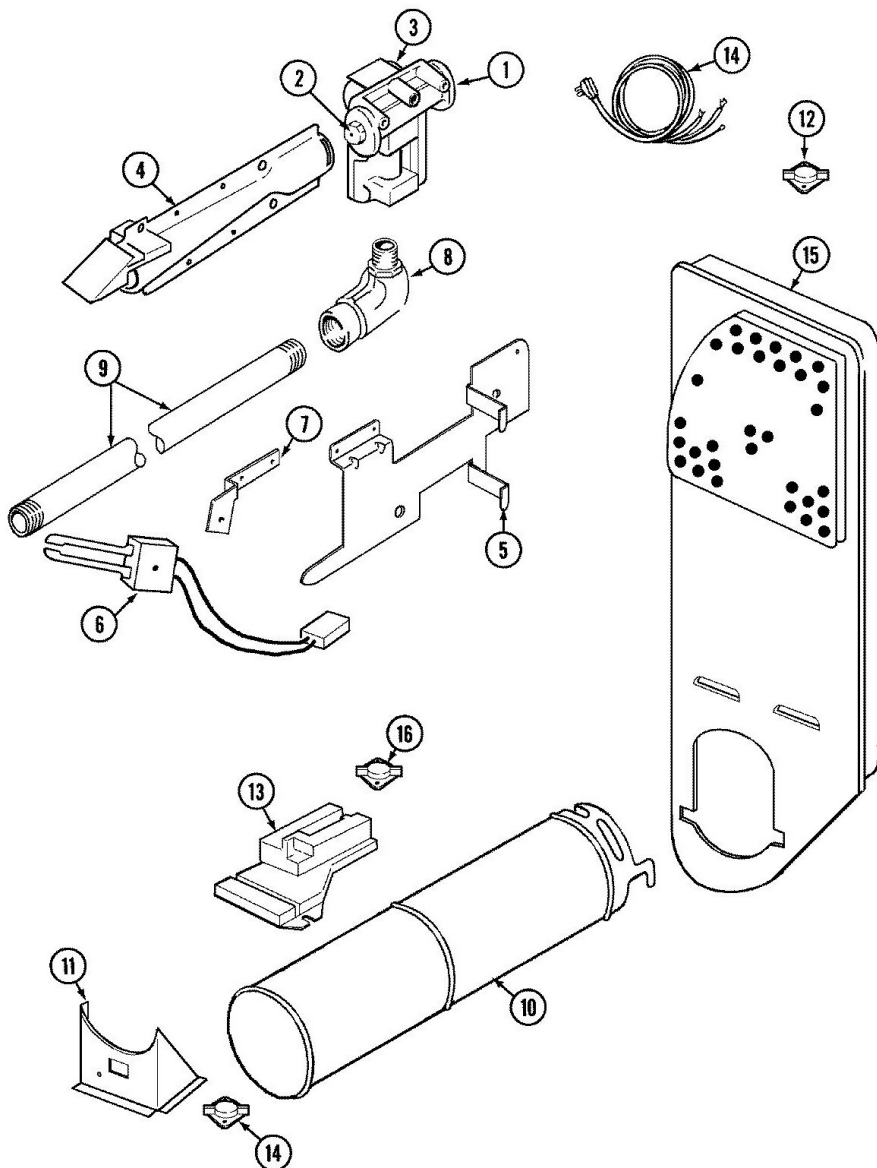
<b>No. Ilus.</b>	<b>DESCRIPCIÓN</b>	<b>No. de Parte</b>
1	CONTROL PANEL	53-2428
2	SCREW	25-7649
2	SCREW	25-7697
2	SPEEDCLIP, END CAP TO CTRL PNL	25-7702
2	SPEEDCLIP, END CAP TO TOP	25-7851
2	CAP, END (RT)	35-2487
2	CAP, END (LT)	35-2488
3	SCREW, END CAP TO TOP	25-7691
3	SPEEDCLIP, END CAP TO TOP	25-7851
4	SCREW	25-7435
4	SPEEDCLIP, RR SHLD TO END CAP	25-7852
5	TRIM, END CAP (RT)	53-0277
5	TRIM, END CAP (LT)	53-0278
6	SCREW	25-7760
7	SPEEDCLIP, END CAP TO CTRL PNL	25-7702
8	SCREW	25-3092
9	SHIELD, CONTROL	53-1676
9	SPACER, CONTROL SHIELD	53-2504
10	SHIELD, CONTROL PANEL (REAR)	35-2688
11	TIMER	53-1758
12	SCREW	25-7435
13	KNOB & SKIRT ASSY.	53-1533
14	SCREW	25-3092
14	SWITCH, TEMPERATURE	53-0344
15	KNOB, SELECTOR (BLK)	35-2185
16	SCREW	25-3092
16	BUZZER ASSY.	53-1639
17	MANUAL, USE & CARE	31001008
17	MANUAL, USE & CARE	53-2432
18	GUIDE, QUICK REF - ADMIRAL	16002079

Distribuidor Autorizado

SurteRápido.com

Venta de Refacciones  
Electrodomesticas

# Secadora Admiral LDGA400AAL





## Secadora Admiral LDGA400AAL

<b>No. Ilus.</b>	<b>DESCRIPCIÓN</b>	<b>No. de Parte</b>
1	UNION NUT	60-6846
1	TAIL PIECE	63-2098
1	GAS VALVE	63-6786N
2	BURNER ORIFICE	63-3570
3	SECONDARY COIL	63-6614
3	DUAL COIL	63-6615
4	BURNER ASM	63-6682
5	SCREW	25-7741
5	MTG BRACKET	53-0140
6	IGNITER	53-0689
7	SCREW	25-2134
7	CLIP, WIRING	25-3034
7	SCREW	25-7744
7	BRACKET	53-0686
8	SHUTOFF VALVE	53-0101
9	SCREW	25-7741
9	GAS PIPE	53-0173
9	MAIN GAS LINE ASSY	53-2362
10	WIRING CLIP	25-3032
10	HOUSING, HEATER	53-1884
11	SCREW	25-3092
11	SCREW	25-7741
11	HEATER SUPPORT	53-0139
11	SUPPORT, HEATER HOUSING	53-2363
12	SCREW	25-0168
12	HI LMT TSTAT	53-0143
13	SCREW	25-2134



**Secadora Admiral LDGA400AAL**

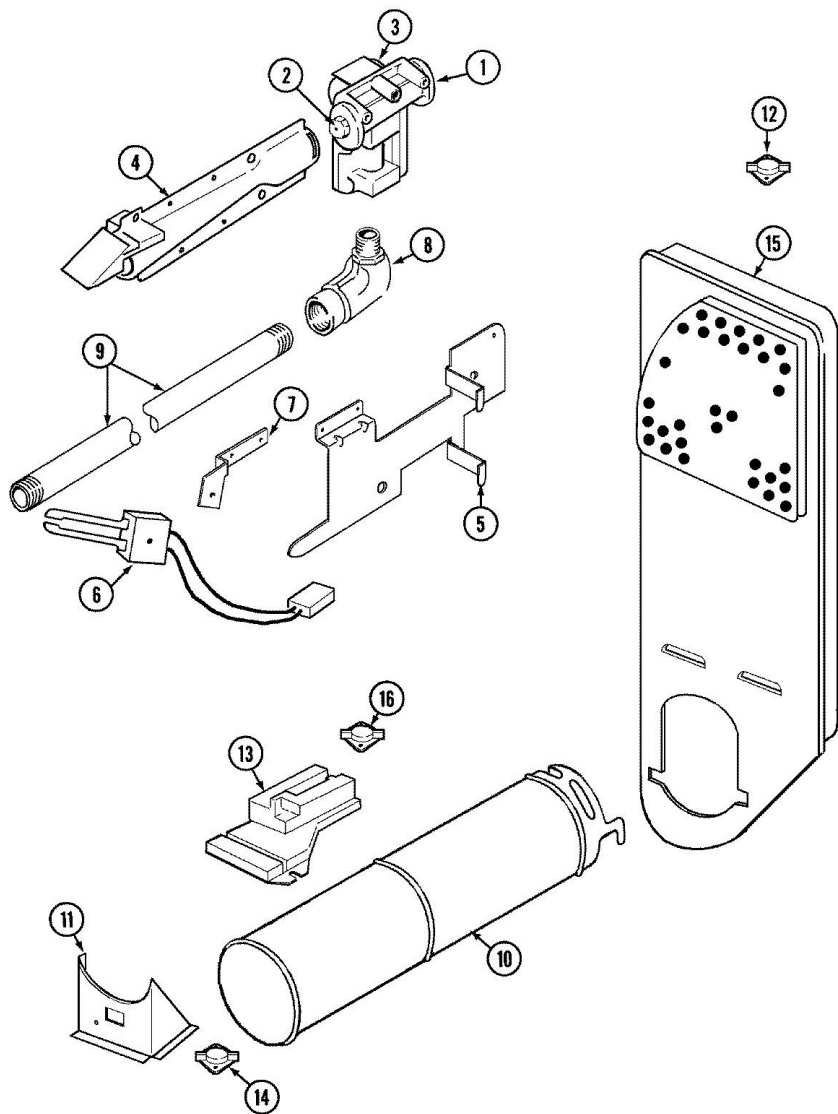
<b>No. Ilus.</b>	<b>DESCRIPCIÓN</b>	<b>No. de Parte</b>
<b>13</b>	SENSOR	63-5013
<b>14</b>	CORD, POWER	63-6259
<b>15</b>	SCREW	25-7741
<b>15</b>	SCREW No.8-18X1/2 PAN HD	25-7819
<b>15</b>	INLET AIR DUCT ASSY	53-1706
<b>16</b>	WIRING CLIP	25-3032
<b>16</b>	THERMOSTAT, HI-LIMIT	53-1096
<b>17</b>	SCREW	25-0168
<b>17</b>	FUSE, THERMAL	53-1182
<b>17</b>	FUSE KIT, THERMAL	LA-1053
<b>18</b>	CONVERSION KIT (LP-NAT)	12001031
<b>18</b>	CONVERSION KIT (NAT-LP)	63-6766

Distribuidor Autorizado

SurteRápido.com

Venta de Refacciones  
Electrodomesticas

# Secadora Admiral (LDGA400AAE)





# Secadora Admiral LDGA400AAL

<b>No. Ilus.</b>	<b><u>DESCRIPCIÓN</u></b>	<b>No. de Parte</b>
<b>1</b>	TAIL PIECE	31001368
<b>1</b>	UNION NUT	60-6846
<b>1</b>	GAS VALVE	63-6786N
<b>2</b>	BURNER ORIFICE	63-3570
<b>3</b>	SECONDARY COIL	63-6614
<b>3</b>	DUAL COIL	63-6615
<b>4</b>	BURNER ASM	63-6682
<b>5</b>	CLIP, WIRING	25-3034
<b>5</b>	SCREW	25-7741
<b>5</b>	MTG BRACKET	53-0140
<b>6</b>	SCREW	25-7744
<b>6</b>	IGNITER	53-0689
<b>7</b>	SCREW	25-2134
<b>7</b>	BRACKET	53-0686
<b>8</b>	VALVE, GAS SHUT OFF	31001042
<b>9</b>	GAS PIPE	53-0173
<b>9</b>	MAIN GAS LINE ASSY	53-2362
<b>10</b>	SCREW	25-7741
<b>10</b>	HOUSING, HEATER	53-1884
<b>11</b>	SCREW	25-3092
<b>11</b>	HEATER SUPPORT	53-0139
<b>11</b>	SUPPORT, HEATER HOUSING	53-2363
<b>12</b>	SCREW	25-0168
<b>12</b>	THERMOSTAT, HI-LIMIT	53-1096
<b>13</b>	SCREW	25-2134
<b>13</b>	SENSOR	63-5013
<b>14</b>	SCREW	25-0168



## Secadora Admiral LDGA400AAL

<b>No. Ilus.</b>	<b>DESCRIPCIÓN</b>	<b>No. de Parte</b>
<b>14</b>	FUSE KIT, THERMAL	LA-1053
<b>15</b>	SCREW	25-7741
<b>15</b>	SCREW No.8-18X1/2 PAN HD	25-7819
<b>15</b>	INLET AIR DUCT ASSY	53-1706
<b>16</b>	THERMOSTAT, HI-LIMIT	53-1096
<b>17</b>	CONVERSION KIT (LP-NAT)	12001031
<b>17</b>	CONVERSION KIT (NAT-LP)	63-6766

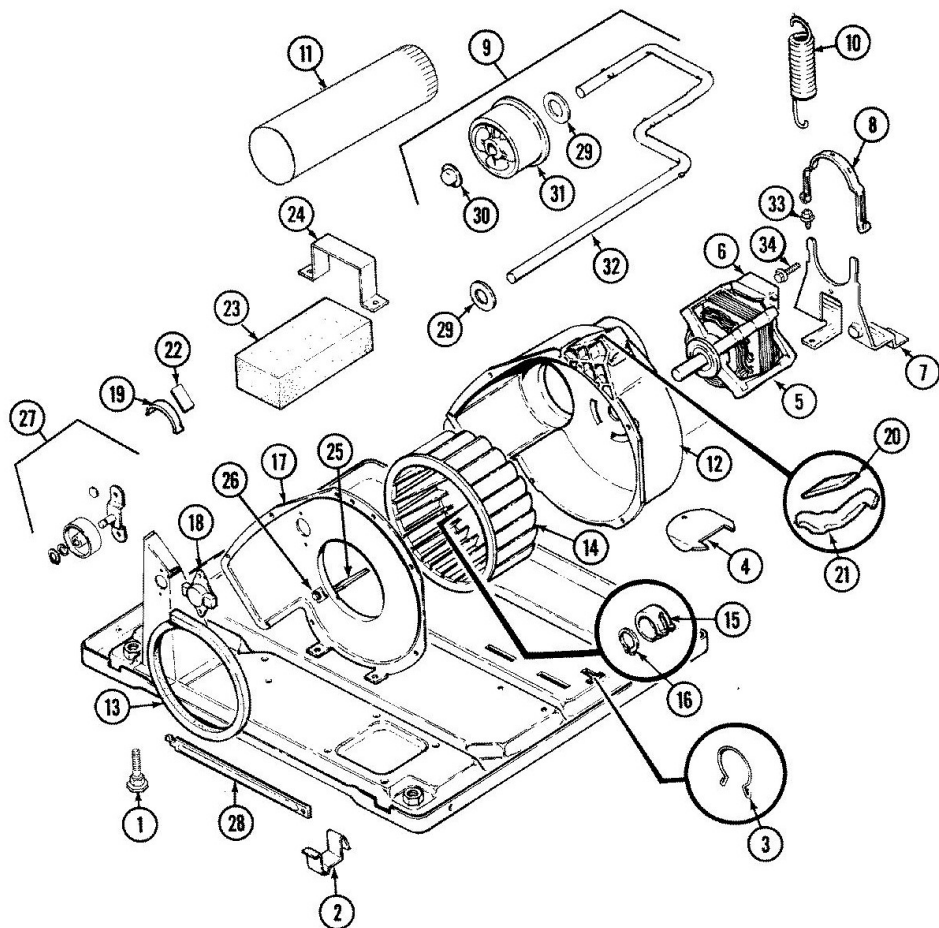


Distribuidor Autorizado

SurteRápido.com

Venta de Refacciones  
Electrodomesticas

# Secadora Admiral LDGA400AAL





## Secadora Admiral LDGA400AAL

<b>No. Ilus.</b>	<b>DESCRIPCIÓN</b>	<b>No. de Parte</b>
<b>1</b>	LEG, LEVELING	63-5834
<b>2</b>	CLIP, FRONT PANEL	53-0120
<b>3</b>	CLIP, WIRING	25-7027
<b>4</b>	SCREW	25-7741
<b>4</b>	SHIELD, WIRING	53-1921
<b>5</b>	MOTOR & PULLEY ASSY.	31001015
<b>5</b>	MOTOR & PULLEY ASSY (115V,60HZ	53-2275
<b>6</b>	SWITCH, MOTOR	53-0693
<b>7</b>	SCREW	25-7811
<b>7</b>	MOTOR MTG. BRKT.	53-1932
<b>8</b>	CLAMP, MOTOR	53-0214
<b>9</b>	IDLER ASSY.	53-2287
<b>10</b>	SPRING, IDLER	53-2209
<b>11</b>	SCREW	25-2134
<b>11</b>	DUCT, EXHAUST	53-0134
<b>12</b>	HOUSING, BLOWER	53-1801
<b>13</b>	SEAL, BLOWER HOUSING	53-0203
<b>14</b>	WHEEL, BLOWER	31001043
<b>14</b>	BLOWER WHEEL	53-0106
<b>15</b>	CLAMP	25-7823
<b>16</b>	RING, RETAINING	25-7855
<b>17</b>	SCREW	25-7807
<b>17</b>	COVER, BLOWER HOUSING	53-1933
<b>18</b>	SCREW	25-2134
<b>18</b>	THERMOSTAT, LO-LIMIT (120/110)	53-0170
<b>18</b>	THERMOSTAT, CONTROL (146/121)	53-1107
<b>19</b>	GLIDE, TUMBLER (LT)	53-2273



## Secadora Admiral LDGA400AAL

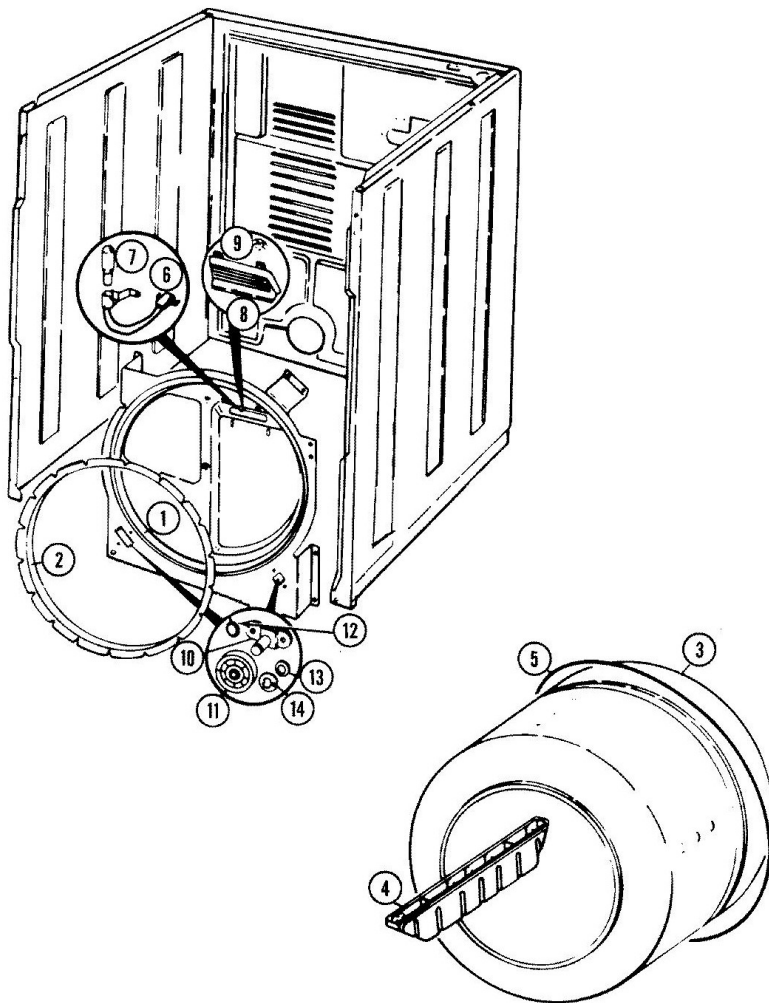
<b>No. Ilus.</b>	<b>DESCRIPCIÓN</b>	<b>No. de Parte</b>
<b>19</b>	GLIDE KIT, TUMBLER	LA-1006
<b>20</b>	CUSHION, TUMBLER GLIDE	53-1684
<b>21</b>	GLIDE, TUMBLER (RT)	53-2272
<b>22</b>	CUSHION, TUMBLER GLIDE	53-1684
<b>23</b>	COUNTERWEIGHT	53-0645
<b>24</b>	SCREW	25-7732
<b>24</b>	BRACKET	53-0644
<b>25</b>	GUIDE, VANE INLET	53-1026
<b>26</b>	SCREW, SEMS	25-3457
<b>27</b>	FRONT ROLLER KIT	LA-1007
<b>27</b>	RR ROLLER KIT	LA-1008
<b>28</b>	BRACE, TUMBLER SUPPORT	53-1625
<b>29</b>	WASHER	25-7815
<b>30</b>	PUSHNUT	25-7957
<b>31</b>	PULLEY, IDLER	53-1628
<b>32</b>	ARM, IDLER	53-2250
<b>33</b>	STRAIN RELIEF	25-7699
<b>34</b>	SCREW	25-7674

Distribuidor Autorizado

SurteRápido.com

Venta de Refacciones  
Electrodomesticas

## Secadora Admiral LDGA400AAL





## Secadora Admiral LDGA400AAL

<b>No. Ilus.</b>	<b>DESCRIPCIÓN</b>	<b>No. de Parte</b>
<b>1</b>	SCREW	25-7733
<b>1</b>	BULKHEAD W/CYLINDER LIGHT WHT	53-1709
<b>2</b>	SEAL ASSY (WHITE)	53-0281
<b>3</b>	CYLINDER (W/BAFFLE)	53-1250
<b>4</b>	SCREW	25-7759
<b>4</b>	BAFFLE, WHITE	53-1249
<b>5</b>	BELT, CYLINDER	341241
<b>6</b>	SCREW, SEMS	25-3457
<b>6</b>	RECEPTACLE ASSY	53-1580
<b>7</b>	CYL LIGHT BULB	53-0570
<b>8</b>	LENS, BULB	53-0174
<b>9</b>	CLIP, PUSH-ON	25-3562
<b>10</b>	SCREW	25-7101
<b>10</b>	SUPPORT ASSY.-CYLINDER REAR	53-0197
<b>11</b>	CYL ROLLER	31001096
<b>12</b>	SPACER	25-7813
<b>13</b>	WASHER	25-7814
<b>14</b>	RING, RETAINING	25-7854
<b>14</b>	RR ROLLER KIT	LA-1008