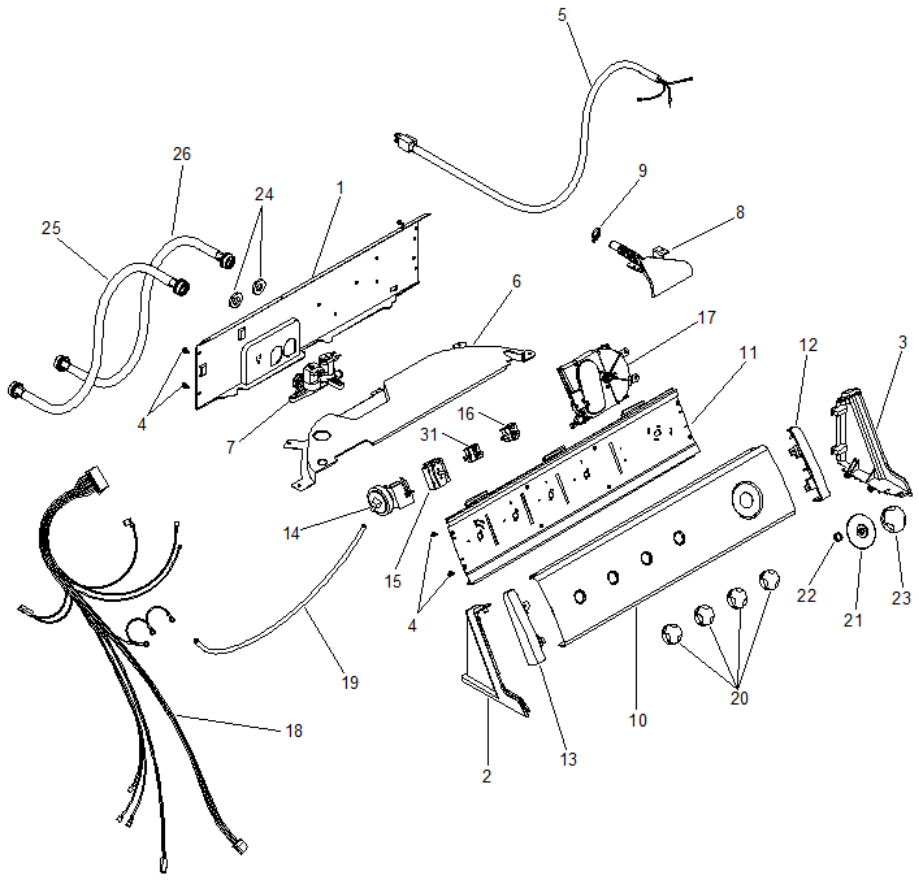
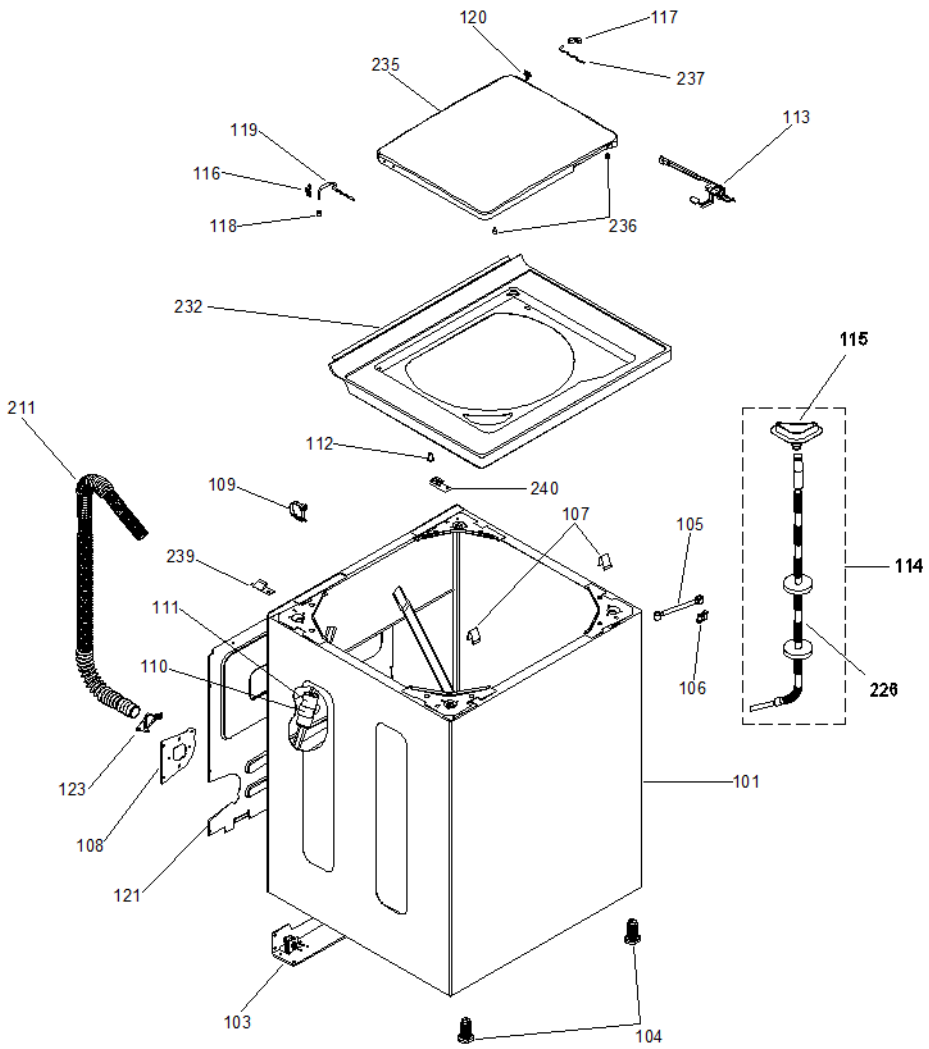


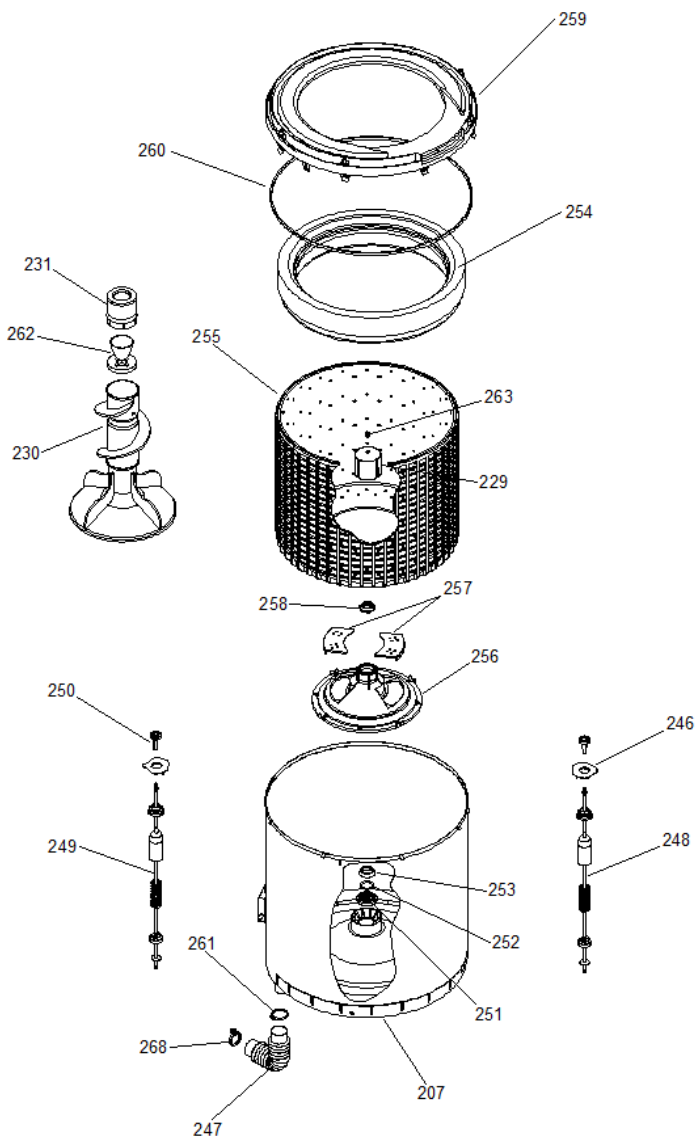
LEA1000L0



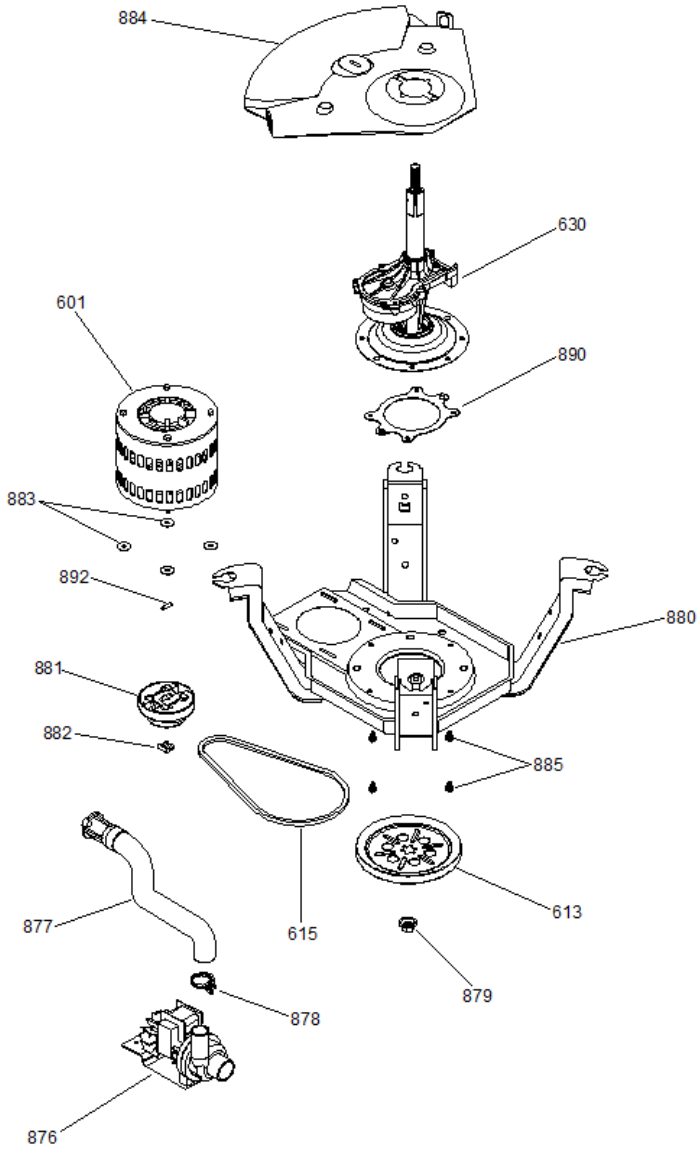
LEA10000LO



LEA10000LO



LEA1000LO





LEA10000LO

1	175D2293P001	RESPALDO COPETE UPSWEPT 27"
2	175D2301P009	REMATE COPETE UPSWEPT IZQ. ALM
3	175D2301P010	REMATE COPETE UPSWEPT DER. ALM
4	109B3400P115	TORNILLO 8-18 AB HWX 3/8 S
5	189D1194P001	CABLE TOMACORRIENTE
6	189D1017P001	SOPORTE VALVULAS
7	175D2937P001	VALVULA PARA AGUA (127 V.)
8	189D1455P001	ENTRADA MANGUERA DE AGUA
9	109B8787P014	ABRAZADERA ENTRADA DE AGUA
10	189D1221P001	VISTA DECORATIVA
11	189D1046P001	SOPORTE CONTROLES 27"
12	189D1170P004	REMATE COPETE DER. (ALM.)
13	189D1170P003	REMATE COPETE IZQ. (ALM.)
14	175D2290P015	PRESOSTATO
15	189D1215P001	INTERRUPTOR ROTAT. DE VELOC.
17	175D2307P004	CONTROL DE TIEMPO (127 V.)
18	189D1246P001	ARNES
19	323B1052P002	MANGUERA PRESOSTATO LARGA
20	189D1222G002	PERILLA ROTATORIA ENS. (ALM.)
21	189D1055P005	CARATULA (ALM)
22	5401618P002	ANILLO DE COMPRESION CARATULA
23	189D1226G002	PERILLA CONTROL ENS. (ALM.)
24	603600	EMPAQUE MANGUERA LLENADO
25	141A6384G058	MANGUERA LLENADO AGUA CALIENTE
26	141A6384G059	MANGUERA LLENADO AGUA FRIA
31	175D2314P002	INTERRUPTOR ROTATORIO 3 TEMP.
101	189D1312G002	GABINETE 27" RECTO ENS. (ALM.)
103	189D1148G002	BASE POSTERIOR 27" ENS.
104	143B9532P002	PATA NIVELADORA
105	123C7979P001	TIRANTE
106	123C7980P001	RETEN TIRANTE
107	228C1043P001	CLIP DE CUBIERTA CHICO
108	228C1003P001	SOPORTE MANGUERA

109	175D2504P001	CLIP ANTI SIFON
110	228C1018P001	ABRAZADERA CAPACITOR
111	228C1062P001	CAPACITOR TERMINAL SENC.
112	323B1125P001	GUIA PARA CUBIERTA
113	189D1229G002	INTERRUPTOR TAPA ENS.
114	189D1603G001	DEPOSITO BLANQUEADOR ENS.
115	175D2865P001	DESPACHADOR BLANQUEADOR
116	175D2535P008	ALOJAMIENTO BISAGRA DOBLE ALM.
117	175D2556P016	ALOJAMIENTO BISAGRA SENC. ALM.
118	143B9554P001	TOPE BISAGRA
119	123C8025P001	BISAGRA DE ALAMBRE (LARGA)
120	123C7978P001	PALANCA ACTUADOR TAPA
121	189D1033P001	RESPALDO P/SERVICIO
122	143B9608P001	TAPON DRENADO EXTERNO
123	175D1259P001	CLIP MANGUERA EXTERNA
207	189D1137G001	TINA ENS.
211	189D1599P001	MANGUERA DRENADO EXTERNA
226	189D1483P001	MANGUERA DESP. BLANQ. CORRUG.
229	175D2110P003	COPE AGITADOR PLASTICO
230	175D2106G001	AGITADOR (AUGER) ENS.
231	189D1180P001	TAPA AGITADOR F.S.D.
232	189D1145P004	CUBIERTA UPSWEPT (ALM.)
235	189D1141G010	TAPA RECTA ENS. (ALM.)
236	123C8091P001	PROTECTOR PARA TAPA
237	123C8029P002	BISAGRA DE ALAMBRE CORTA
239	228C1002P001	GUIA CUBIERTA DERECHA
240	228C1002P002	GUIA CUBIERTA IZQUIERDA
246	175D2534P001	ALOJAMIENTO ROTULA
247	123C7981P002	MANGUERA SALIDA (TINA A BOMBA)
248	189D1138G007	SUSPENSION ESP. P/10 KG. ENS.
249	189D1138G008	SUSPENSION P/10 KG. ENS.
250	175D2259P001	ROTULA SUPERIOR
251	175D2951P001	SELLO TINA
252	143B9506P001	RONDANA FONDO CANASTA
253	123C8006P002	ANILLO CONICO SECCIONADO
254	189D1111G001	ARO BALANCE ENS.
255	189D1165G001	ENSAMBLE CANASTA 10 KG.
256	189D1171P001	FONDO CANASTA

257	175D2845P001	FILTRO ATRAPA PELUSA
258	228C1073P001	TUERCA FONDO CANASTA NVO.ACAB.
259	189D1087P001	CUBIERTA TINA LAV
260	323B1061P002	SELLO MEC. TINA
261	143B9551P001	ABRAZADERA (SALIDA DE TINA)
262	175D2112P001	COPA FSD
263	8911225P043	TORN.(COPL AGI)1/4"-20 MCH 5/8
268	109B8787P017	ABRAZADERA (ENTRADA A BOMBA)
601	189D1300P001	MOTOR 2 VEL. (127 V./ 60 HZ.)
601	189D1300P001	MOTOR 2 VEL. (127 V./ 60 HZ.)
613	175D2187P001	POLEA TRANSMISION
615	228C1032P001	BANDA
630	189D1598G001	ENS. TRANSMISION FRENO RTB
876	189D1307G001	ENS. BOMBA SOPORTE (127 V.)
877	189D1196P001	MANGUERA DE DESAGUE INTERIOR
878	109B8787P008	ABRAZADERA (SALIDA A BOMBA)
879	143B9488P001	TUERCA POLEA
880	189D1089G001	PLATAFORMA ENS.
881	189D1301G001	ENSAMBLE CLUTCH MODIF.
882	143B9468P001	CANDADO CLUTCH
883	143B9481P001	TUERCA HEXAGONAL FIJ MOTOR
884	189D1084P001	PROTECTOR TINA
885	8911215P019	TORN. 1/4"-20 B XHW 3/4" S SN