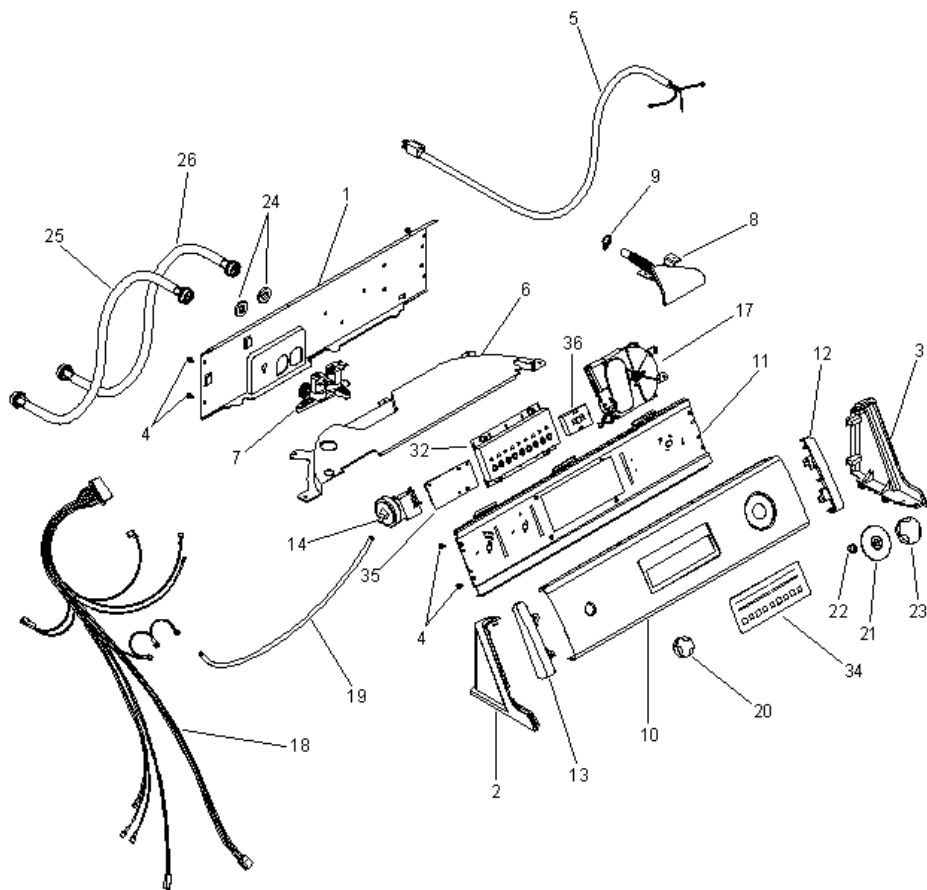


Distribuidor Autorizado

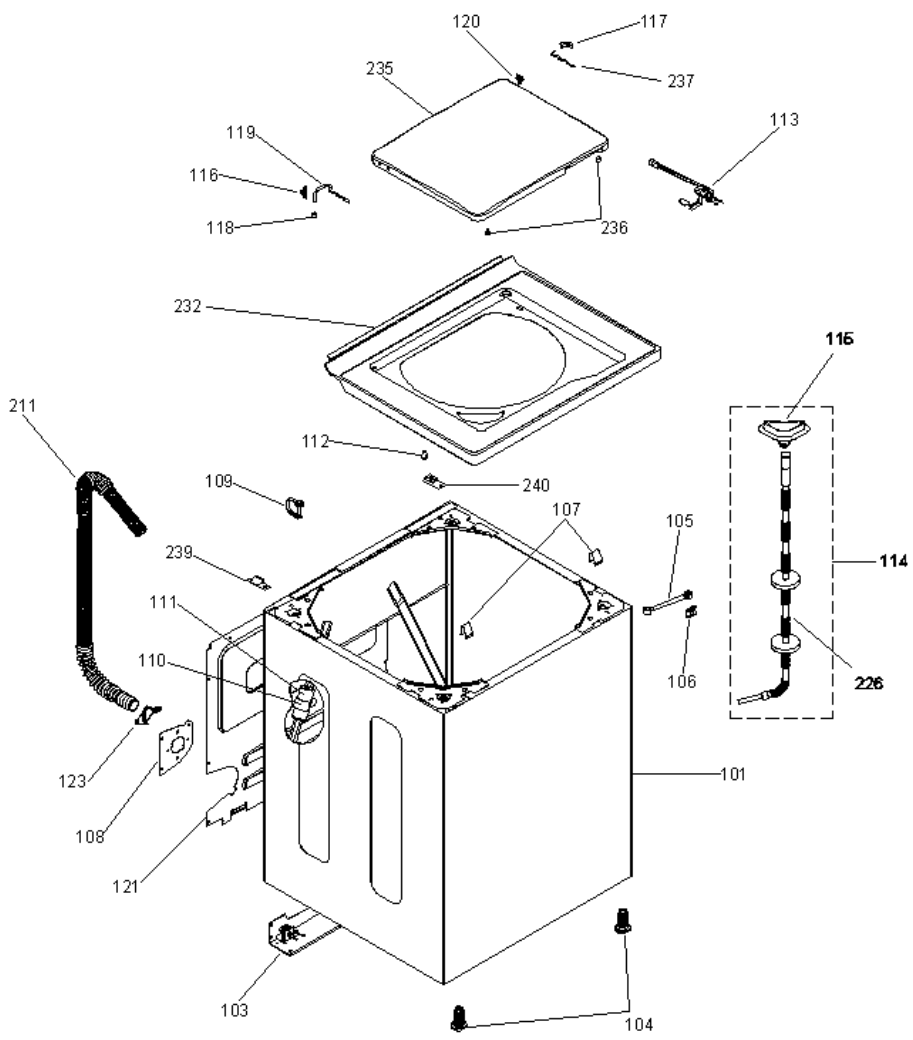
SurteRápido.com

Venta de Refacciones  
Electrodomesticas

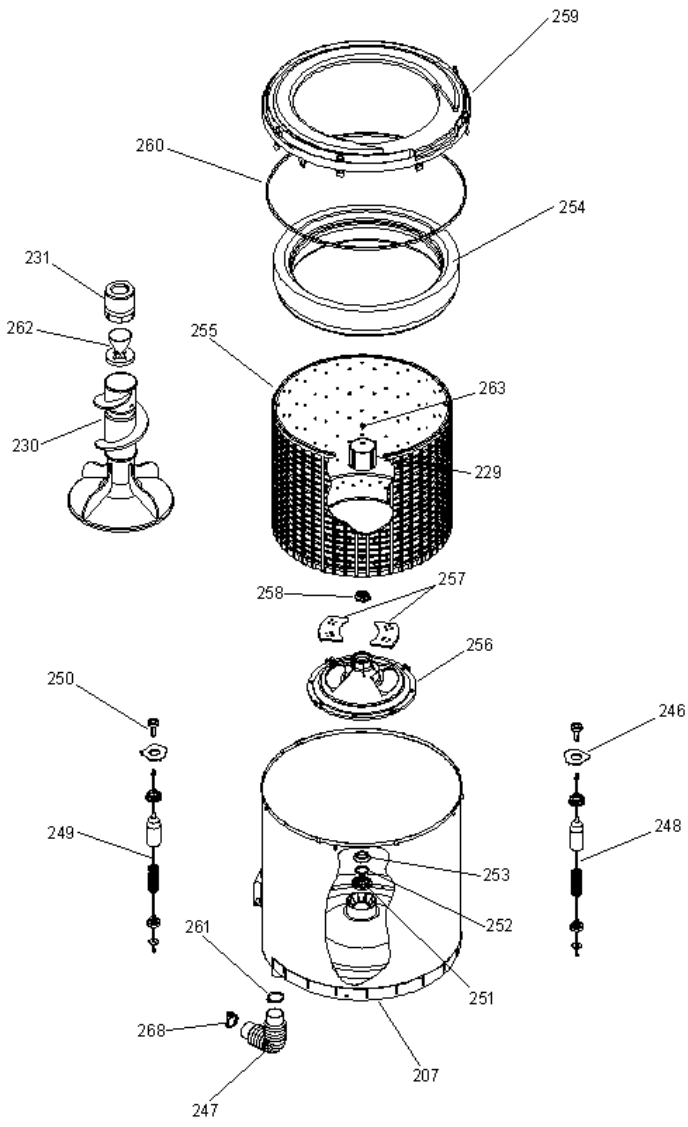
LEA10800B0



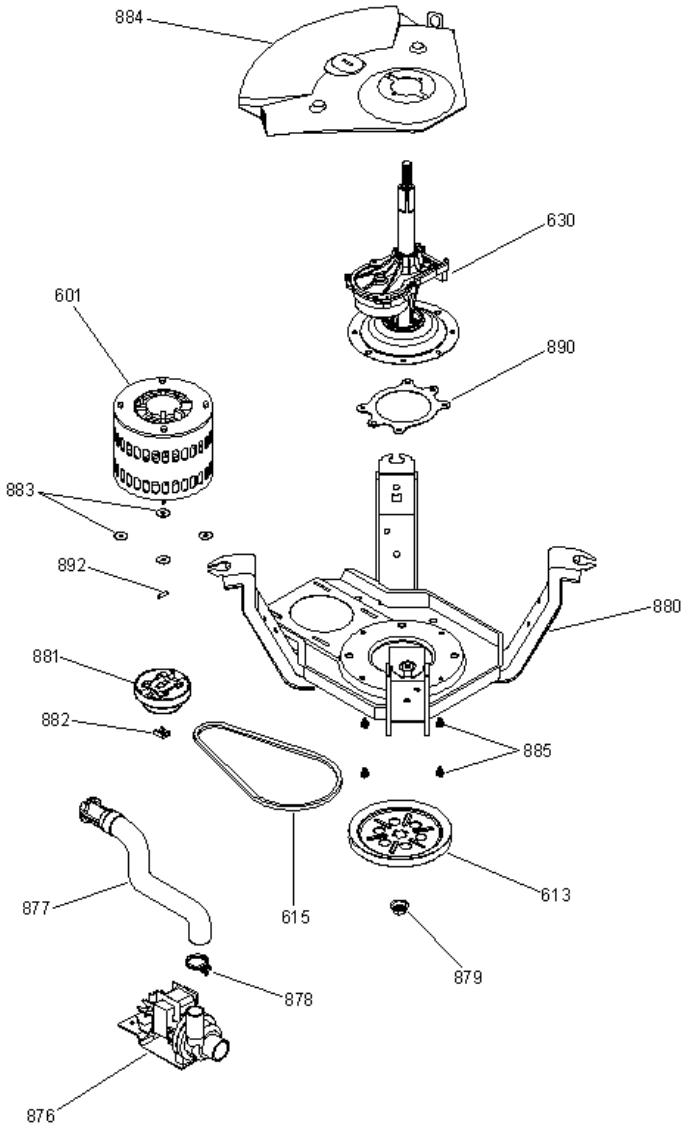
**LEA10800B0**



**LEA10800B0**



**LEA10800B0**





**LEA10800B0**

1	175D2293P001	RESPALDO COPETE UPSWEPT 27" (S/P)
2	175D2301P007	REMATE COPETE UPSWEPT IZQ. BCO (S/P)
3	175D2301P008	REMATE COPETE UPSWEPT DER. BCO (S/P)
4	109B3400P115	TORNILLO 8-18 AB HXW 3/8 S (S/P)
5	189D1194P001	CABLE TOMACORRIENTE
6	189D1017P001	SOPORTE VALVULAS (S/P)
7	7131001	VALVULA PARA AGUA (127 V.)
8	8102198	ENTRADA MANGUERA DE AGUA
9	109B8787P014	ABRAZADERA ENTRADA DE AGUA (S/P)
10	189D1221P004	VISTA DECORATIVA (S/P)
11	189D1046P002	SOPORTE CONTROLES P/TOUCH PAD (S/P)
12	189D1170P002	REMATE COPETE DER. (BCA.) (S/P)
13	189D1170P001	REMATE COPETE IZQ. (BCA.) (S/P)
14	175D2290P020	PRESOSTATO (S/P)
17	7121008	CONTROL DE TIEMPO (127 V.)
18	189D1252P001	ARNES (S/P)
19	7411006	MANGUERA PRESOSTATO LARGA
20	7011005	PERILLA ROTATORIA ENS. (BCA.)
21	189D1055P004	CARATULA EASY (BCA.) (S/P)
22	5401618P002	ANILLO DE COMPRESION CARATULA (S/P)
23	189D1226G001	PERILLA CONTROL ENS. (BCA.) (S/P)
24	603600	EMPAQUE MANGUERA LLENADO
25	141A6384G058	MANGUERA LLENADO AGUA CALIENTE (S/P)
26	141A6384G059	MANGUERA LLENADO AGUA FRIA (S/P)
32	7111030	CONTROL ELECTRONICO
34	189D1271P009	VISTA DECORATIVA CONT. ELEC. (S/P)
35	123C8059G001	RELEV. E INTERR. CICLICO ENS. (S/P)
36	7112840	ALARMA FIN DE CICLO
101	189D1312G001	GABINETE 27" RECTO ENS. (BCO.) (S/P)
103	189D1148G002	BASE POSTERIOR 27" ENS. (S/P)
104	7021003	PATA NIVELADORA

105	7011002	TIRANTE
106	7011003	RETEN TIRANTE
107	7021008	CLIP DE CUBIERTA CHICO <b>DESCONTINUADO</b>
108	228C1003P001	SOPORTE MANGUERA <b>(S/P)</b>
109	7161002	CLIP ANTI SIFON
110	228C1018P001	ABRAZADERA CAPACITOR <b>(S/P)</b>
111	228C1062P001	CAPACITOR TERMINAL SENC. <b>(S/P)</b>
112	323B1125P001	GUIA PARA CUBIERTA <b>(S/P)</b>
113	189D1229G002	INTERRUPTOR TAPA ENS. <b>(S/P)</b>
114	189D1603G001	DEPOSITO BLANQUEADOR ENS. <b>(S/P)</b>
115	175D2865P001	DESPACHADOR BLANQUEADOR <b>(S/P)</b>
116	7011027	ALOJAMIENTO BISAGRA DOBLE BCA.
117	7011029	ALOJAMIENTO BISAGRA SENC. <b>DESCONTINUADO</b>
118	143B9554P001	TOPE BISAGRA <b>(S/P)</b>
119	123C8025P001	BISAGRA DE ALAMBRE (LARGA) <b>(S/P)</b>
120	7011041	PALANCA ACTUADOR TAPA
121	189D1033P001	RESPALDO P/SERVICIO <b>(S/P)</b>
123	WH16X513D	CLIP MANGUERA EXTERNA
207	189D1137G001	TINA ENS. <b>(S/P)</b>
211	189D1599P001	MANGUERA DRENADO EXTERNA <b>(S/P)</b>
226	7411009	MANGUERA DESP. BLANQ. CORRUG.
229	175D2110P003	COPELE AGITADOR PLASTICO <b>(S/P)</b>
230	7431001	AGITADOR (AUGER) ENS.
231	7431004	TAPA AGITADOR F.S.D.
232	189D1145P003	CUBIERTA UPSWEPT (BCA.) <b>(S/P)</b>
235	189D1141G005	TAPA RECTA ENS. (BCA.) <b>(S/P)</b>
236	7011039	PROTECTOR PARA TAPA <b>DESCONTINUADO</b>
237	123C8029P002	BISAGRA DE ALAMBRE CORTA <b>(S/P)</b>
239	228C1002P001	GUIA CUBIERTA DERECHA <b>(S/P)</b>
240	228C1002P002	GUIA CUBIERTA IZQUIERDA <b>(S/P)</b>
246	175D2534P001	ALOJAMIENTO ROTULA <b>DESCONTINUADO</b>
247	7411002	MANGUERA SALIDA (TINA A BOMBA)
248	7161103	SUSPENSION ESP. P/10 KG. ENS. <b>DESCONTINUADO</b>
249	7161101	SUSPENSION P/10 KG. ENS. <b>DESCONTINUADO</b>
250	175D2259P001	ROTULA SUPERIOR <b>(S/P)</b>
251	7021002	SELLO TINA

252	7021017	RONDANA FONDO CANASTA
253	7021006	ANILLO CONICO SECCIONADO
254	7451005	ARO BALANCE ENS.
255	189D1165G001	ENSAMBLE CANASTA 10 KG. <b>(S/P)</b>
256	7451009	FONDO CANASTA
257	175D2845P001	FILTRO ATRAPA PELUSA <b>(S/P)</b>
258	228C1073P001	TUERCA FONDO CANASTA NVO.ACAB. <b>(S/P)</b>
259	7451011	CUBIERTA TINA
260	7081002	SELLO MEC. TINA
261	143B9551P001	ABRAZADERA (SALIDA DE TINA) <b>(S/P)</b>
262	175D2112P001	COPA FSD <b>(S/P)</b>
263	7431015	TORN.(COPL AGI)1/4"-20 MCH 5/8
268	109B8787P017	ABRAZADERA (ENTRADA A BOMBA) <b>(S/P)</b>
601	7201002	MOTOR 2 VEL. (127 V./ 60 HZ.)
613	7071001	POLEA TRANSMISION
615	228C1032P001	BANDA <b>(S/P)</b>
630	7381001	ENS. TRANSMISION FRENO RTB
876	WH23X10013	ENS. BOMBA SOPORTE (127 V.)
877	7411001	MANGUERA DE DESAGUE INTERIOR
878	109B8787P008	ABRAZADERA (SALIDA A BOMBA) <b>(S/P)</b>
879	7021004	TUERCA POLEA <b>(S/P)</b>
880	7901089	PLATAFORMA ENS. <b>DESCONTINUADO</b>
881	123C8000G004	CLUTCH ENS. <b>(S/P)</b>
882	7021001	CANDADO CLUTCH
883	7021005	TUERCA HEXAGONAL FIJ MOTOR
884	189D1084P001	PROTECTOR TINA <b>(S/P)</b>
885	7901215	TORN. 1/4"-20 B XHW 3/4" S SN
890	7610229	MATERIAL DE FRICCION (ZAPATA)
892	323B1088P001	PERNO DE ARRASTRE MOTOR <b>(S/P)</b>