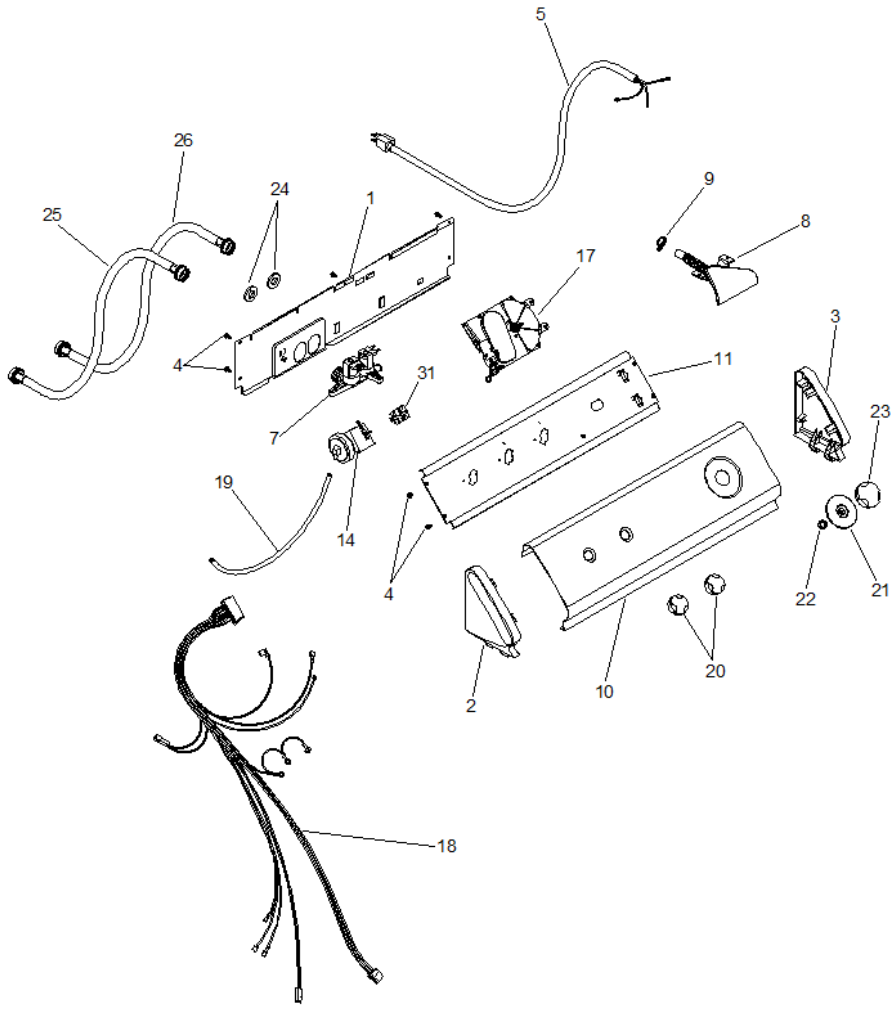
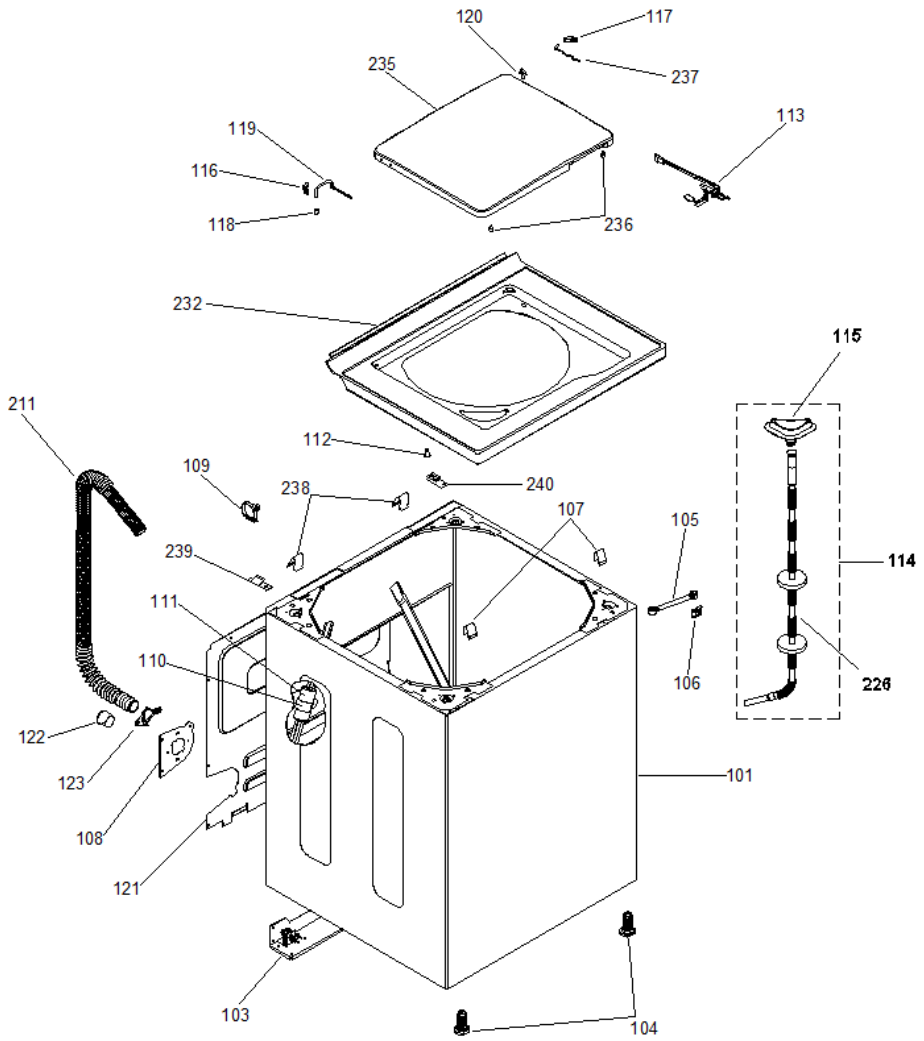


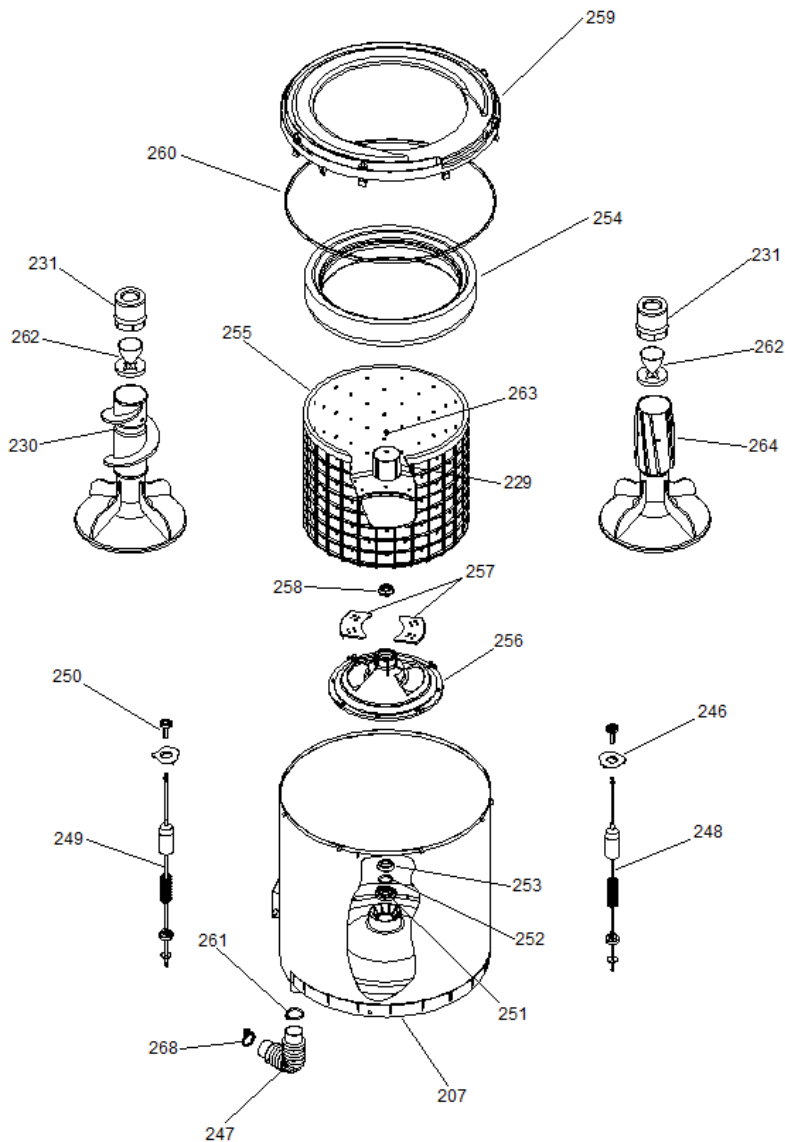
**LEA6000B0**

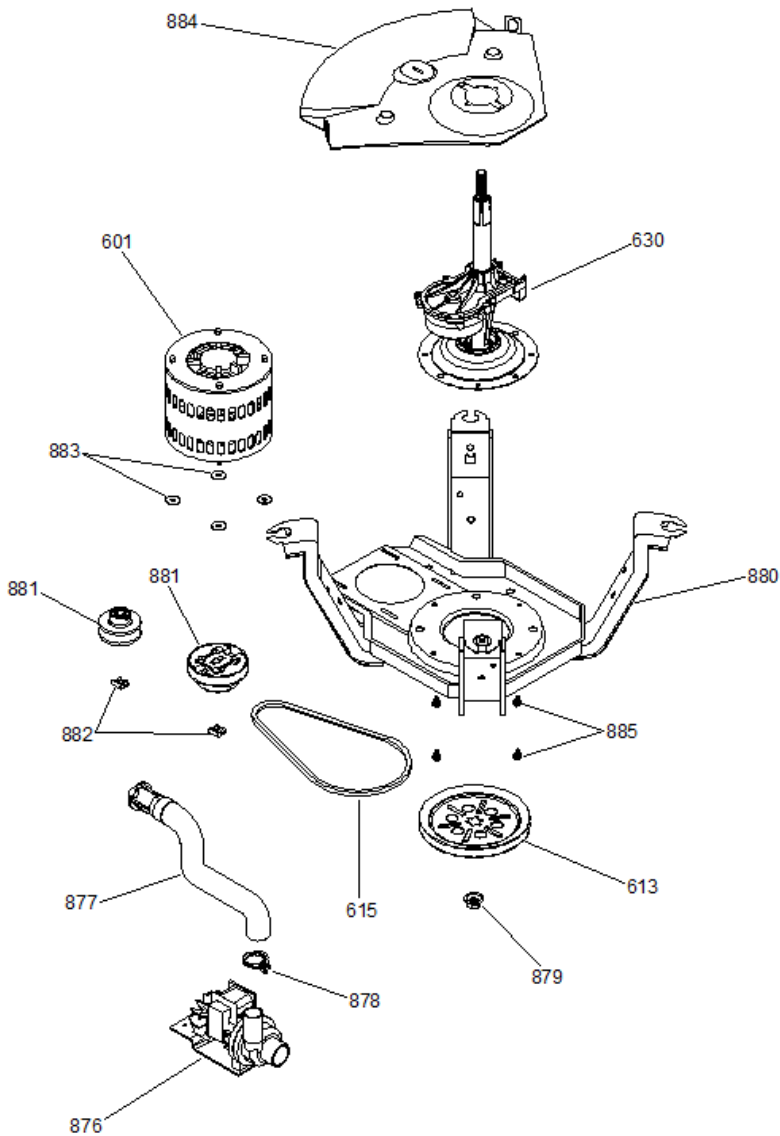


**LEA6000B0**



**LEA6000B0**







LEA6000B0

1	189D1004P001	RESPALDO COPETE 24"
2	189D1176P002	REMATE COPETE STD IZQ. (BCO.)
3	189D1176P001	REMATE COPETE STD DER. (BCO.)
4	109B3400P115	TORNILLO 8-18 AB HWX 3/8 S
5	189D1194P001	CABLE TOMACORRIENTE
7	175D2937P001	VALVULA PARA AGUA (127 V.)
8	189D1455P001	ENTRADA MANGUERA DE AGUA
9	109B8787P014	ABRAZADERA ENTRADA DE AGUA
10	189D1125P007	VISTA DECORATIVA
11	189D1000P001	SOPORTE CONTROLES STD 24"
14	189D1195P003	PRESOSTATO
17	175D2307P024	CONTROL DE TIEMPO (127 V.)
18	189D1207P001	ARNES
19	323B1052P001	MANGUERA PRESOSTATO CORTA
20	189D1222G001	PERILLA ROTATORIA ENS. (BCA.)
21	189D1055P004	CARATULA EASY (BCA.)
22	5401618P002	ANILLO DE COMPRESION CARATULA
23	189D1226G001	PERILLA CONTROL ENS. (BCA.)
24	603600	EMPAQUE MANGUERA LLENADO
25	141A6384G058	MANGUERA LLENADO AGUA CALIENTE
26	141A6384G059	MANGUERA LLENADO AGUA FRIA
31	175D2314P002	INTERRUPTOR ROTATORIO 3 TEMP.
101	189D1061G001	GABINETE 6 KG CURVO ENS.(BCO.)
103	189D1148G001	BASE POSTERIOR 24" ENS.
104	143B9532P002	PATA NIVELADORA
105	123C7979P001	TIRANTE
106	123C7980P001	RETEN TIRANTE
107	228C1043P001	CLIP DE CUBIERTA CHICO
108	228C1003P001	SOPORTE MANGUERA
109	175D2504P001	CLIP ANTI SIFON
110	228C1018P001	ABRAZADERA CAPACITOR
111	228C1062P001	CAPACITOR TERMINAL SENC.
112	323B1125P001	GUIA PARA CUBIERTA

113	189D1229G001	INTERRUPTOR TAPA ENS.
114	189D1603G001	DEPOSITO BLANQUEADOR ENS.
115	175D2865P001	DESPACHADOR BLANQUEADOR
116	175D2535P007	ALOJAMIENTO BISAGRA DOBLE BCA.
117	175D2556P015	ALOJAMIENTO BISAGRA SENC. BCA.
118	143B9554P001	TOPE BISAGRA
119	228C1028P001	BISAGRA DE ALAMBRE CURVA LARGA
120	123C7978P001	PALANCA ACTUADOR TAPA
121	189D1031P001	RESPALDO SERVICIO P/LAV.
123	175D1259P001	CLIP MANGUERA EXTERNA
150	141A6134P002	TIRANTE CUBIERTA LINEA "S"
207	189D1136G001	TINA ENS.
211	189D1599P001	MANGUERA DRENADO EXTERNA
226	189D1483P001	MANGUERA DESP. BLANQ. CORRUG.
229	175D2110P003	COPLA AGITADOR PLASTICO
231	189D1180P001	TAPA AGITADOR F.S.D.
232	189D1145P007	CUBIERTA CURVA C/DESP. (BCA.)
235	189D1141G007	TAPA CURVA ENS. (BCA.)
236	123C8091P001	PROTECTOR PARA TAPA
237	228C1029P001	BISAGRA DE ALAMBRE CURVA CORTA
246	175D2534P001	ALOJAMIENTO ROTULA
247	123C7981P002	MANGUERA SALIDA (TINA A BOMBA)
248	189D1138G003	SUSPENSION ESP. ENS.
249	189D1138G002	SUSPENSION ENS.
250	175D2259P001	ROTULA SUPERIOR
251	175D2951P001	SELLO TINA
252	143B9506P001	RONDANA FONDO CANASTA
253	123C8006P002	ANILLO CONICO SECCIONADO
254	189D1021G001	ARO BALANCE ENS.
255	189D1105G002	ENSAMBLE CANASTA 6 KG.
256	189D1171P001	FONDO CANASTA
257	175D2845P001	FILTRO ATRAPA PELUSA
258	228C1073P001	TUERCA FONDO CANASTA NVO.ACAB.
259	189D1018P001	CUBIERTA TINA
260	323B1061P001	SELLO MEC. TINA
261	143B9551P001	ABRAZADERA (SALIDA DE TINA)
262	175D2112P001	COPA FSD
263	8911225P043	TORN.(COPL AGI)1/4"-20 MCH 5/8

264	189D1393G001	AGITADOR RADIAL ENS. (BCO.)
268	109B8787P017	ABRAZADERA (ENTRADA A BOMBA)
601	189D1299P001	MOTOR 1 VEL. (127 V./ 60 HZ.)
601	189D1299P001	MOTOR 1 VEL. (127 V./ 60 HZ.)
601	189D1299P001	MOTOR 1 VEL. (127 V./ 60 HZ.)
613	175D2187P001	POLEA TRANSMISION
615	228C1032P001	BANDA
630	189D1598G001	ENS. TRANSMISION FRENO RTB
876	189D1307G001	ENS. BOMBA SOPORTE (127 V.)
877	189D1196P001	MANGUERA DE DESAGUE INTERIOR
878	109B8787P008	ABRAZADERA (SALIDA A BOMBA)
879	143B9488P001	TUERCA POLEA
880	189D1089G001	PLATAFORMA ENS.
881	189D1301G001	ENSAMBLE CLUTCH MODIF.
882	143B9468P001	CANDADO CLUTCH
883	143B9481P001	TUERCA HEXAGONAL FIJ MOTOR
884	189D1084P001	PROTECTOR TINA
885	8911215P020	TORNILLO 1/4"-20 B XHW 3/4" S
890	7610229	MATERIAL DE FRICCION (ZAPATA)
892	323B1088P001	PERNO DE ARRASTRE MOTOR